



US00D669950S

(12) **United States Design Patent**  
**Floreani**

(10) **Patent No.:** **US D669,950 S**

(45) **Date of Patent:** **\*\* Oct. 30, 2012**

(54) **SKI BINDING RISER PLATE**

(76) **Inventor:** **Adrian John Floreani, Vail, CO (US)**

(\*\*) **Term:** **14 Years**

(21) **Appl. No.:** **29/379,905**

(22) **Filed:** **Nov. 26, 2010**

(51) **LOC (9) Cl.** ..... **21-02**

(52) **U.S. Cl.** ..... **D21/760; D21/773**

(58) **Field of Classification Search** ..... **D21/760,**  
**D21/761, 765, 766, 801, 803; 441/65-66,**  
**441/68-69, 72-75, 79; D12/6; 280/11.3,**  
**280/11.31, 601-606, 609-610**

See application file for complete search history.

(56) **References Cited**

**U.S. PATENT DOCUMENTS**

5,397,150 A \* 3/1995 Commier et al. .... 280/607  
5,480,175 A \* 1/1996 Astier et al. .... 280/607  
6,848,703 B2 \* 2/2005 Godde et al. .... 280/607

7,744,113 B2 \* 6/2010 Farges ..... 280/618  
2002/0096860 A1 \* 7/2002 Lowe ..... 280/602  
2004/0090022 A1 \* 5/2004 Bobbert et al. .... 280/11.3

\* cited by examiner

*Primary Examiner* — Zenia Bennett

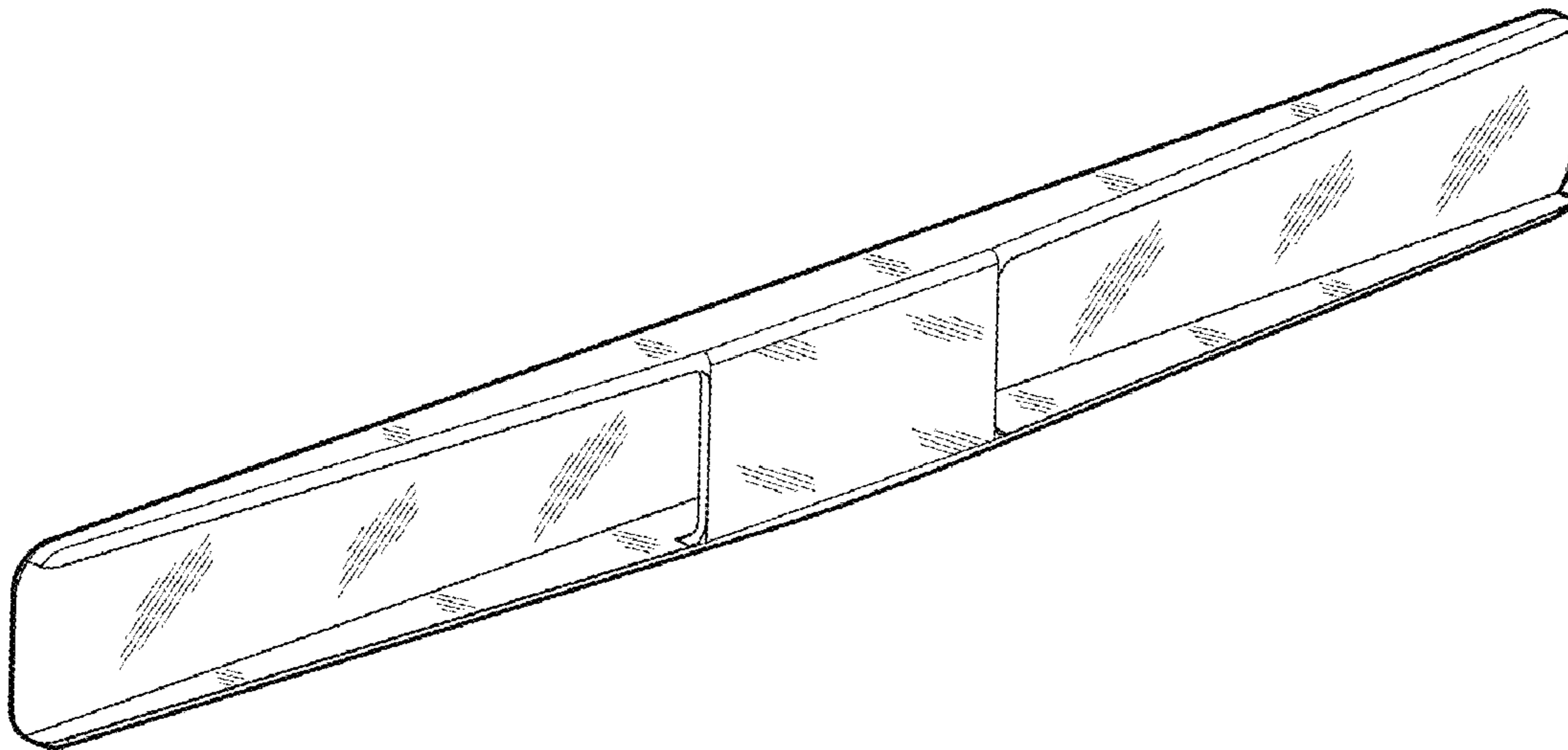
(57) **CLAIM**

The ornamental design for a ski binding riser plate, as shown.

**DESCRIPTION**

FIG. 1 is a bottom perspective view of a ski binding riser plate showing my new design;  
FIG. 2 is a bottom view thereof;  
FIG. 3 is a top view thereof;  
FIG. 4 is a right side view thereof;  
FIG. 5 is a left side view thereof;  
FIG. 6 is a front view thereof;  
FIG. 7 is a rear view thereof;  
FIG. 8 is a top perspective view thereof showing a ski binding attached; and,  
FIG. 9 is a top perspective view thereof showing the attachment to a snow ski.

**1 Claim, 5 Drawing Sheets**



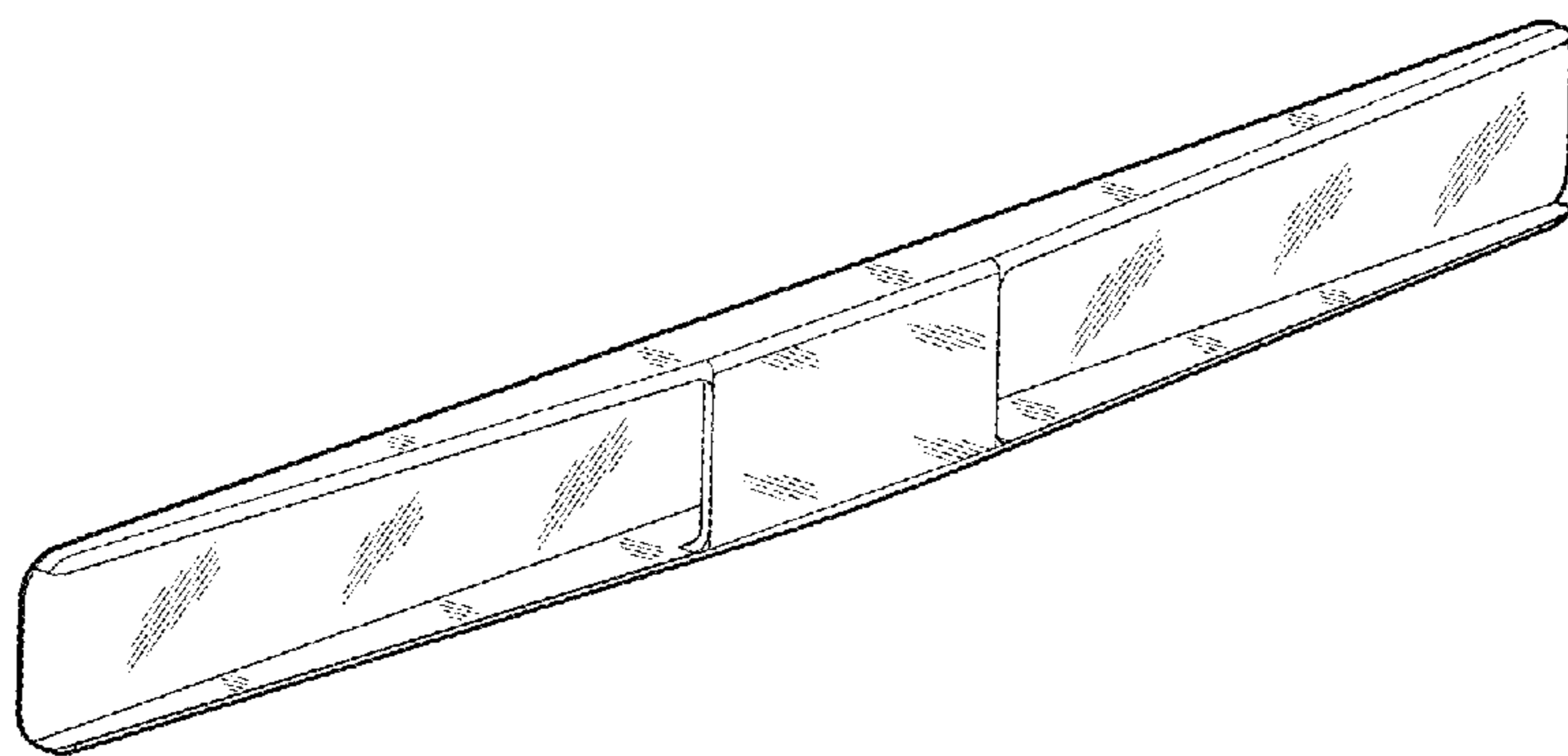


FIG. 1

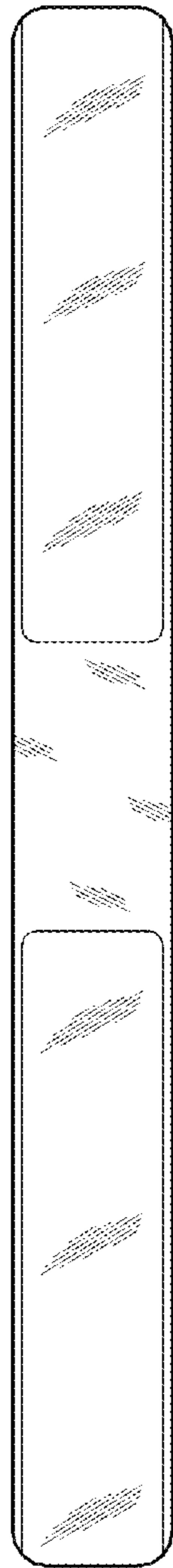


FIG. 2

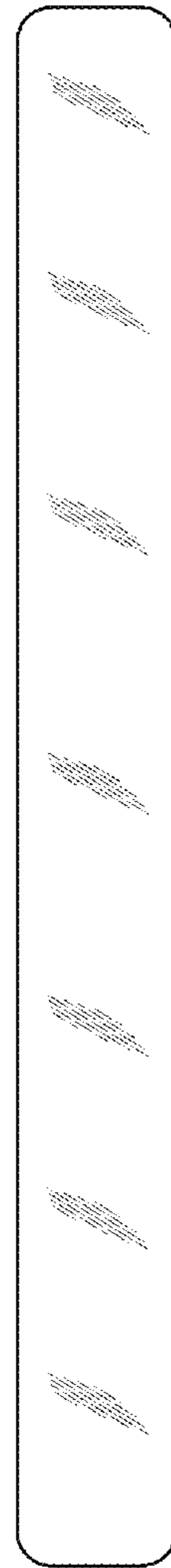


FIG. 3



FIG. 4



FIG. 5



FIG. 6

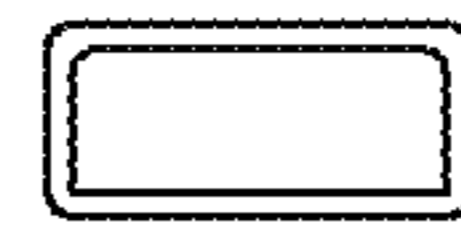


FIG. 7

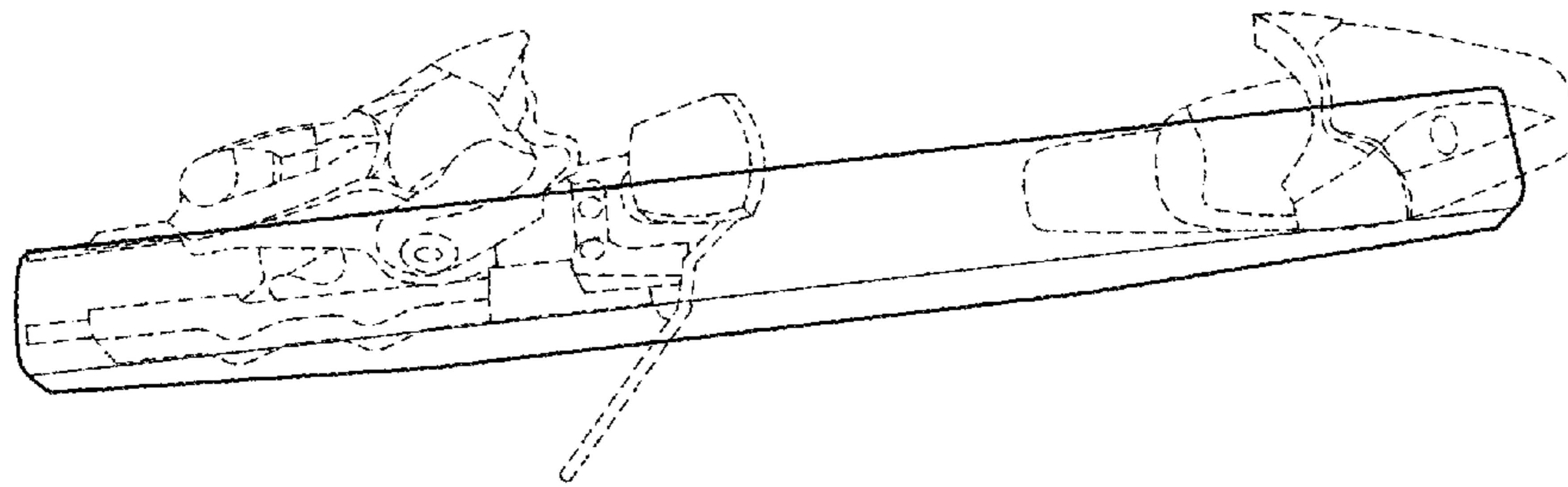


FIG. 8

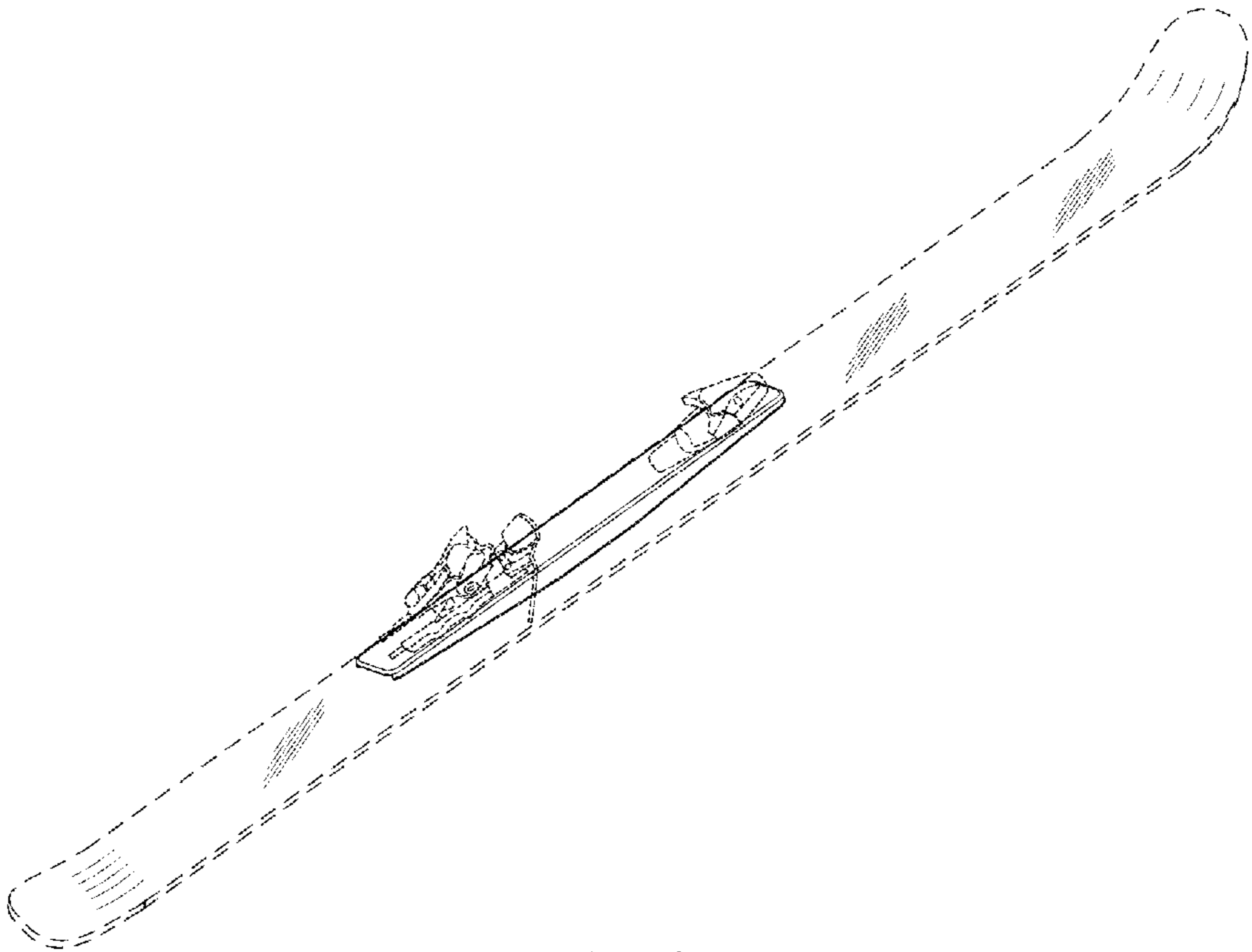


FIG. 9