



US00D669945S

(12) **United States Design Patent**
Russo et al.

(10) **Patent No.:** **US D669,945 S**

(45) **Date of Patent:** **** Oct. 30, 2012**

(54) **HAND GRIP FOR AN EXERCISE DEVICE**

(75) Inventors: **Stephanie Russo**, San Francisco, CA (US); **Randal Hetrick**, San Francisco, CA (US)

(73) Assignee: **Fitness Anywhere LLC.**, San Francisco, CA (US)

(**) Term: **14 Years**

(21) Appl. No.: **29/398,414**

(22) Filed: **Jul. 29, 2011**

(51) **LOC (9) Cl.** **21-02**

(52) **U.S. Cl.** **D21/662; D21/694; D21/682**

(58) **Field of Classification Search** D21/662, D21/679, 680-682, 684, 692, 694, 725, 756; 482/44, 45, 46, 49, 91, 105-108, 114, 115, 482/131, 148; D8/14, 70, 107, 303, 313; D32/54; 74/551.9, 558; 473/300-303, 543; 16/411, 421-422, 431; 294/171

See application file for complete search history.

(56) **References Cited**

U.S. PATENT DOCUMENTS

D52,489	S	*	9/1918	Palmer	D8/303
D101,218	S	*	9/1936	Gurrieri	D22/142
3,140,873	A	*	7/1964	Goodwin	473/302
D248,114	S	*	6/1978	Mangiapane	D21/662
D264,983	S	*	6/1982	Logan	D21/681
D281,991	S	*	12/1985	Solheim	D21/756
D287,527	S	*	12/1986	Solheim	D21/756
D315,006	S	*	2/1991	Solheim	D21/756
5,280,735	A	*	1/1994	Kuipers et al.	74/551.9
D352,441	S	*	11/1994	Oury et al.	D8/303
D461,390	S	*	8/2002	Livingston	D8/303

6,623,361	B1	*	9/2003	Parsons	463/47.7
7,044,020	B2	*	5/2006	Rosenthal	74/551.9
7,334,499	B2	*	2/2008	Lai	74/551.9
D593,716	S	*	6/2009	Strauss	D30/156
D609,048	S	*	2/2010	Yeh	D7/395
D624,977	S	*	10/2010	Comello, Jr.	D21/725
D626,816	S	*	11/2010	Claxton	D8/303
D648,204	S	*	11/2011	Parvey	D8/303
D648,816	S	*	11/2011	Sun	D21/756
D654,972	S	*	2/2012	Green et al.	D21/756

* cited by examiner

Primary Examiner — Susan E Krakower

(74) *Attorney, Agent, or Firm* — Steven R. Vosen

(57) **CLAIM**

The ornamental design for a hand grip for an exercise device, as shown and described.

DESCRIPTION

FIG. 1 shows a front perspective view of a hand grip for an exercise device, showing our new design, illustrated with an unclaimed exercise device;

FIG. 2 shows a front perspective view of a hand grip, illustrated with an alternate unclaimed exercise device;

FIG. 3 shows a front, perspective view of a hand grip;

FIG. 4 shows a front elevation view thereof, the back elevation view, the left elevation view, and the right elevation view being identical thereto;

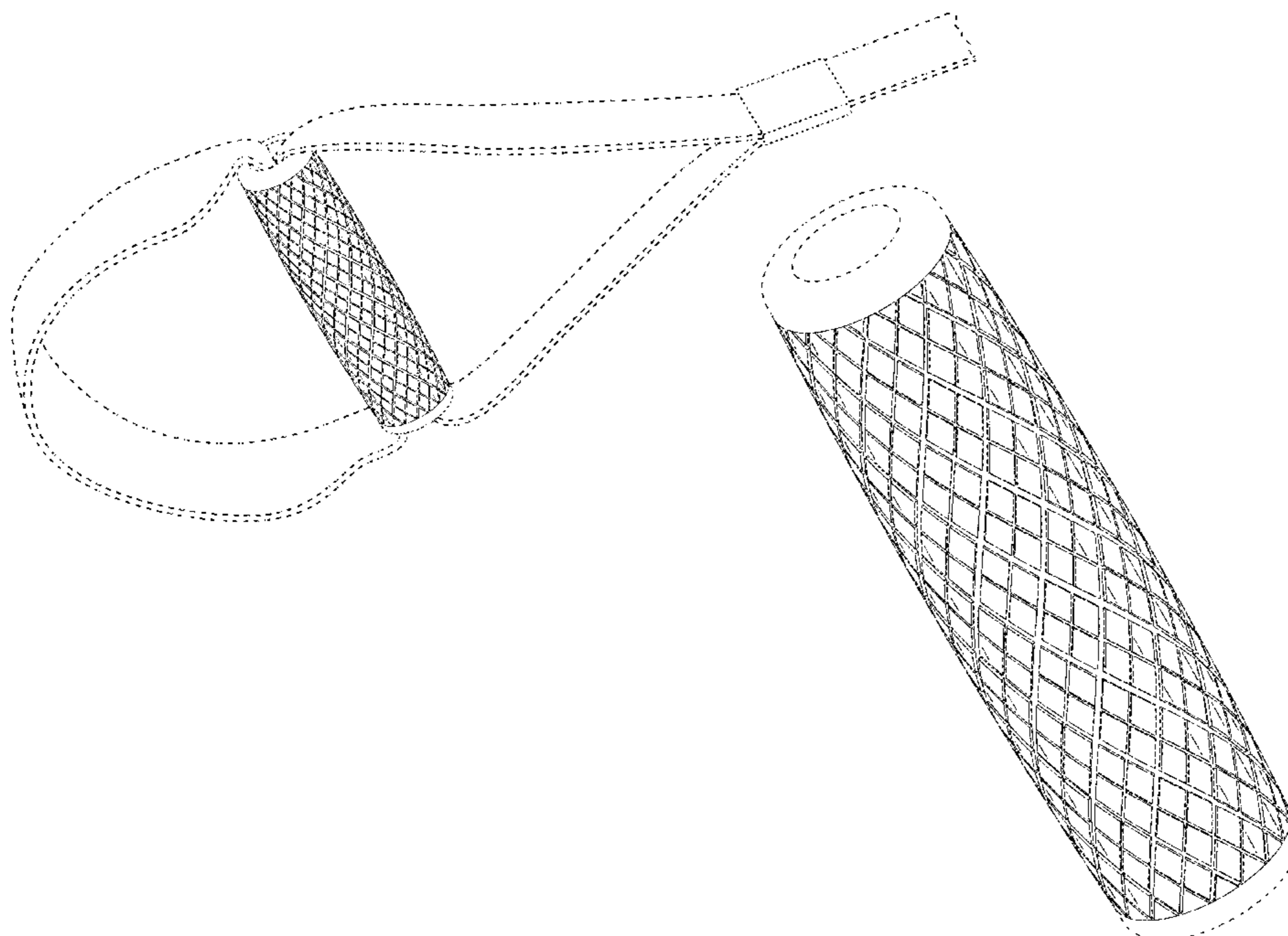
FIG. 5 shows a top plan view thereof, the bottom plan view being identical thereto;

FIG. 6 shows a sectional view 6-6 of FIG. 4; and,

FIG. 7 shows a sectional view 7-7 of FIG. 4.

The broken lines illustrate portions of the hand grip and environmental structure which form no part of the claimed design.

1 Claim, 4 Drawing Sheets



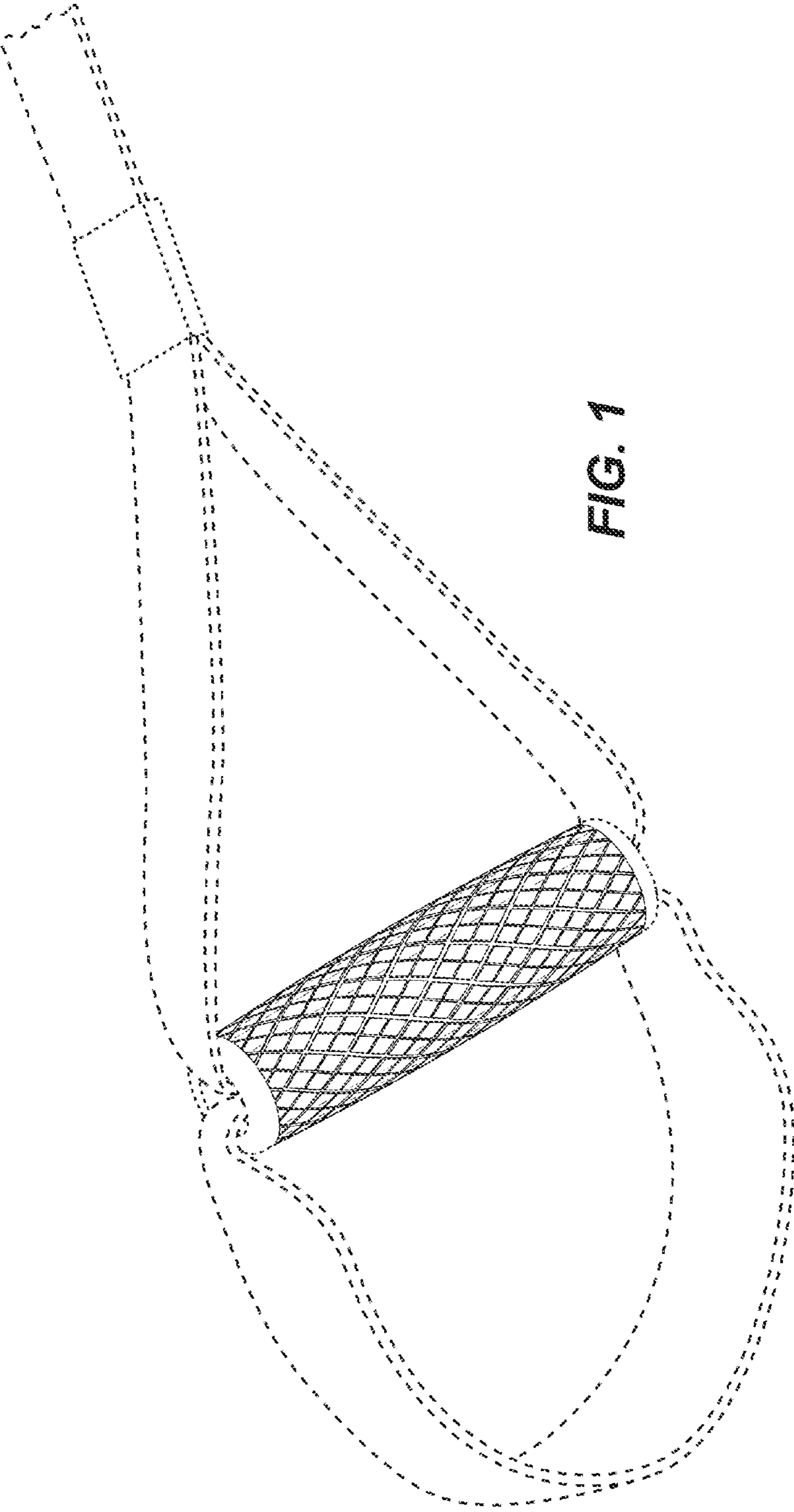


FIG. 1

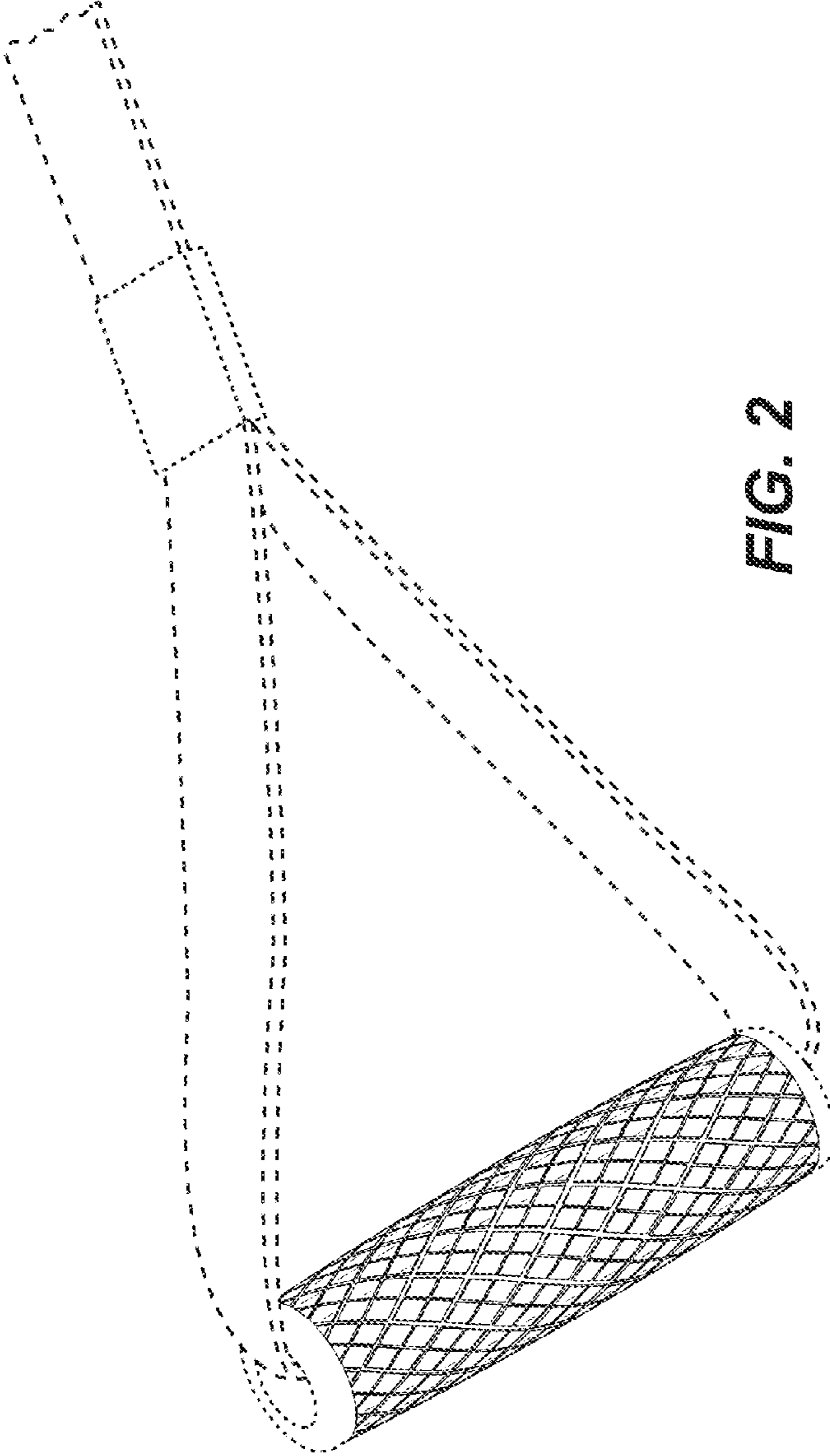


FIG. 2

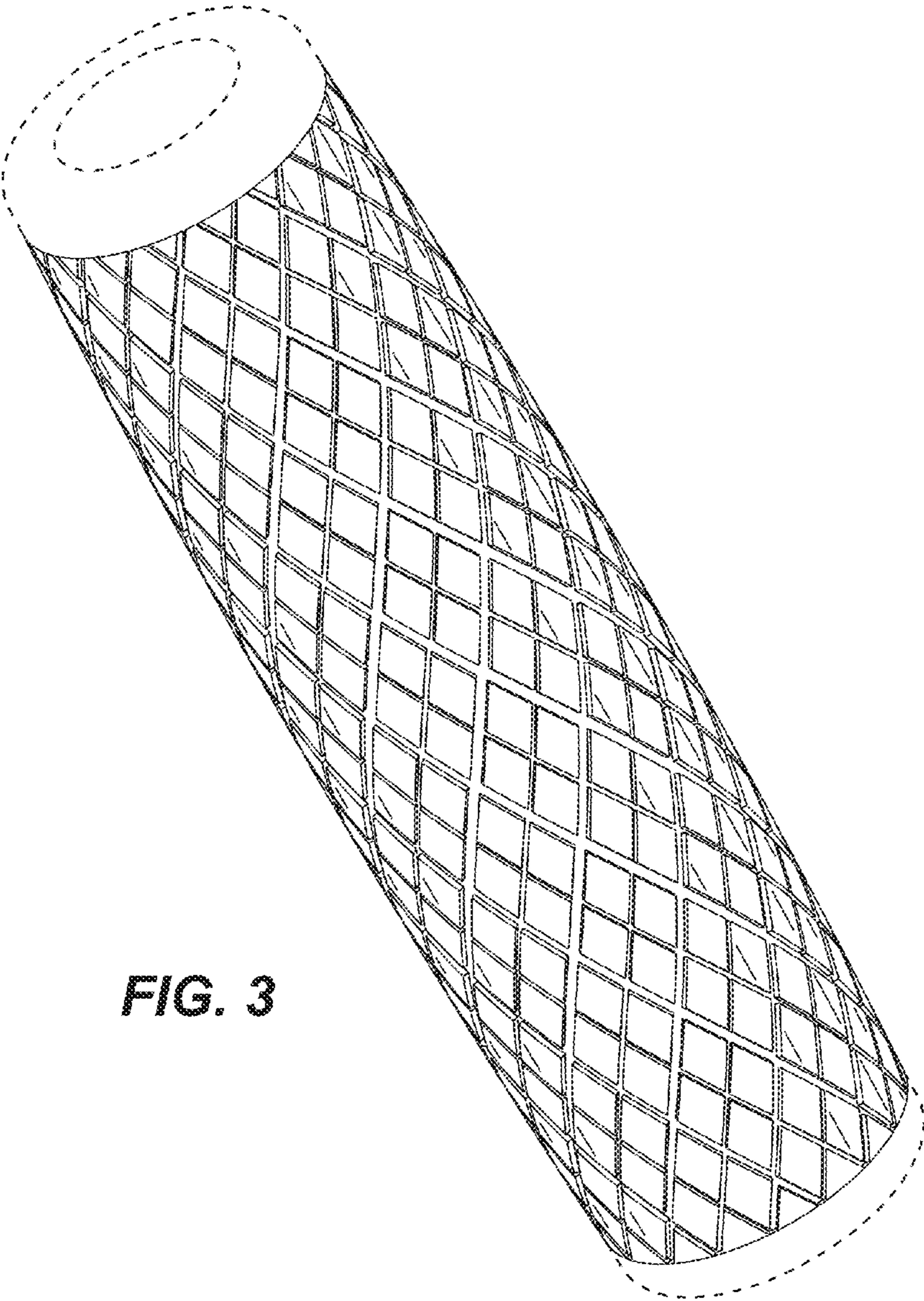


FIG. 3

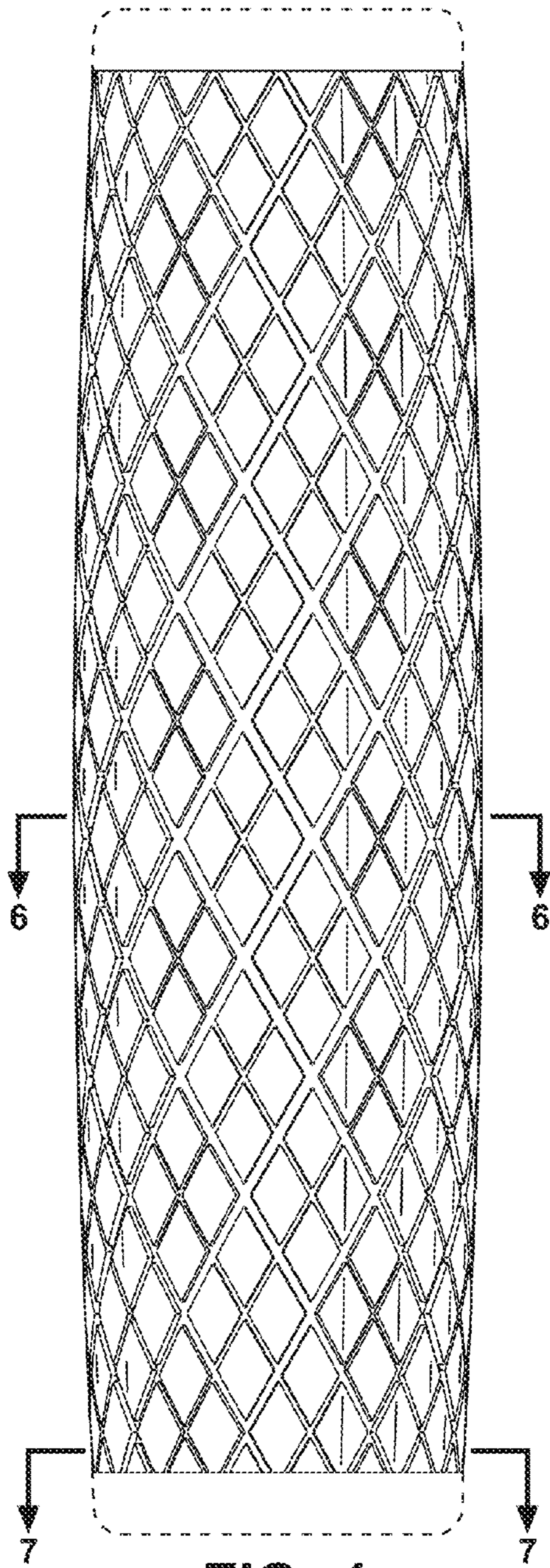


FIG. 4

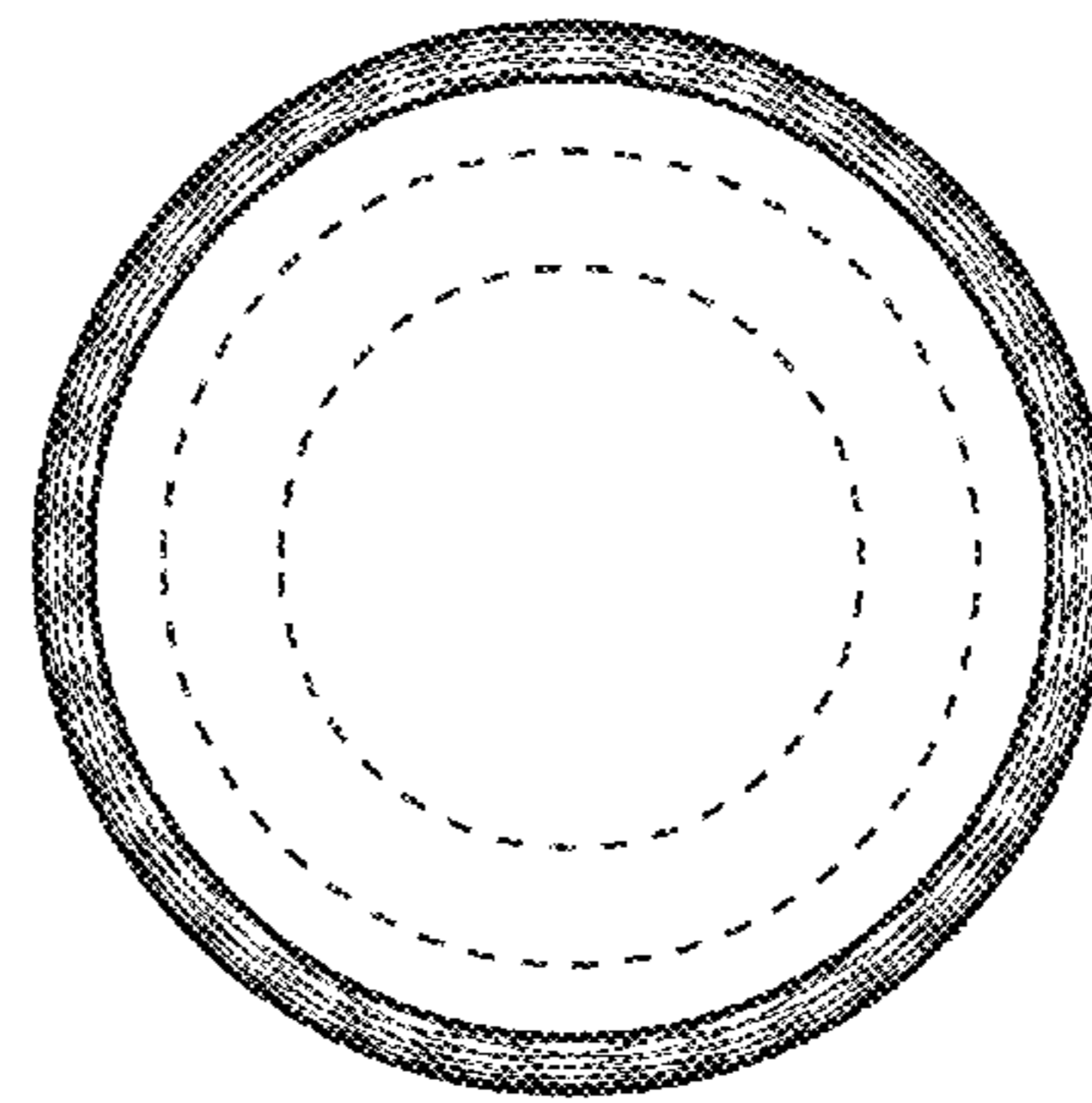


FIG. 5

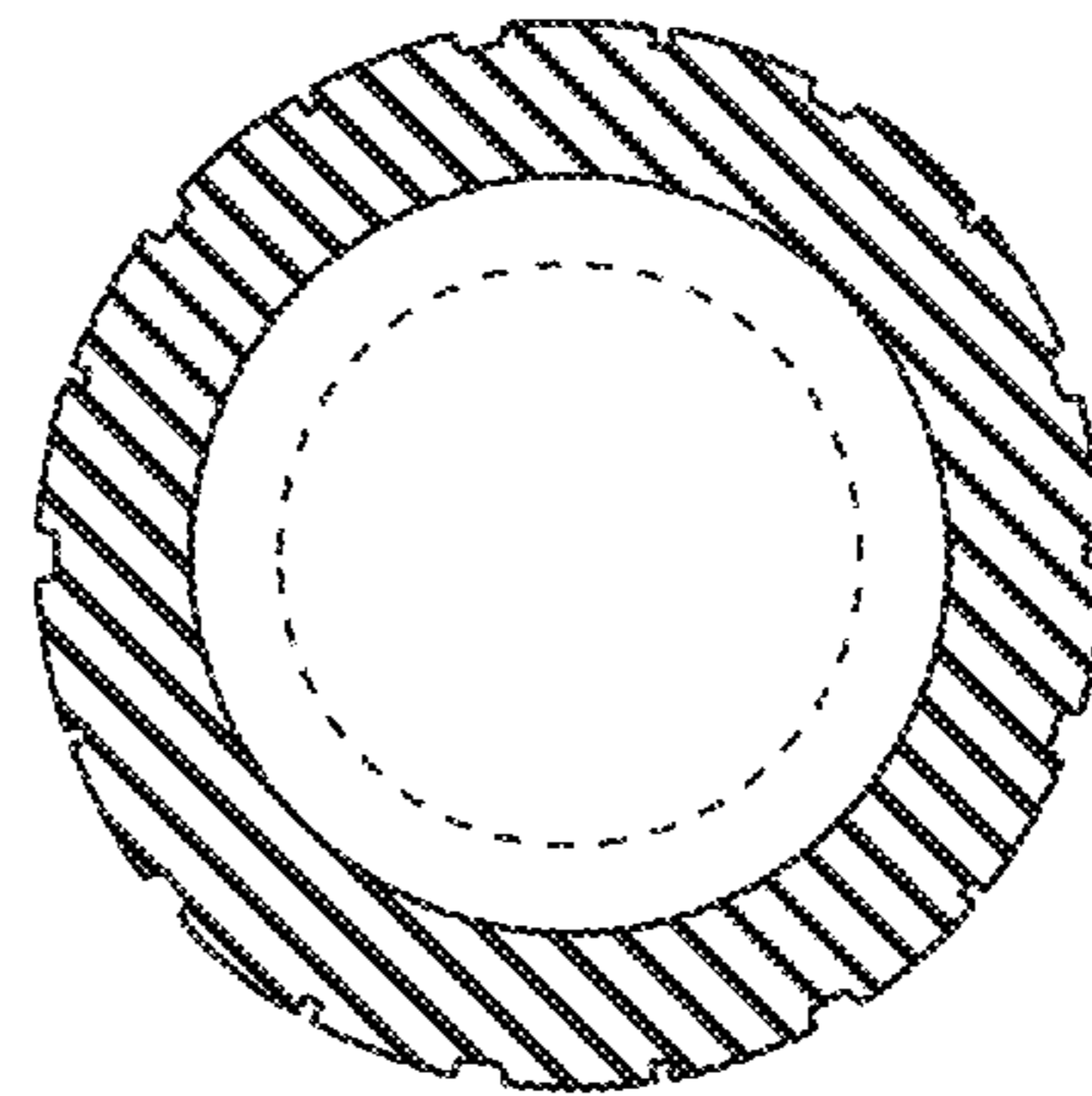


FIG. 6

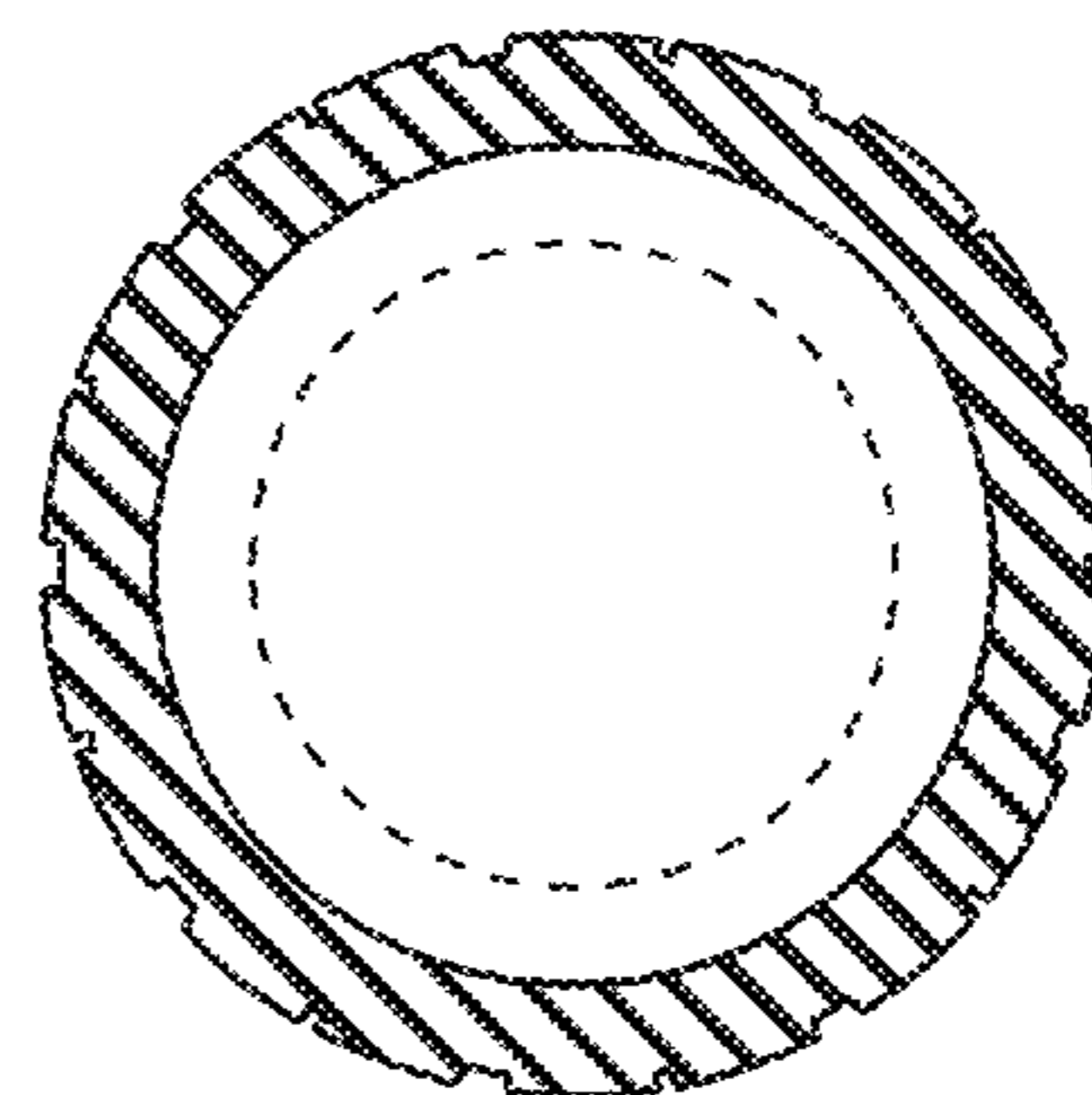


FIG. 7