

US00D669944S

(12) **United States Design Patent**
Mimlitch, III et al.

(10) **Patent No.:** **US D669,944 S**
(45) **Date of Patent:** **** Oct. 30, 2012**

(54) **ATTACHMENT COMPONENT FOR USE WITH A TOY ROBOT**

(75) Inventors: **Robert H. Mimlitch, III**, Rowlett, TX (US); **David A. Norman**, Greenville, TX (US); **Douglas Galletti**, Allen, TX (US); **Joel Carter**, Argyle, TX (US); **Gregory Lavender**, Rockwall, TX (US); **Gregory Needel**, Rockwall, TX (US); **Christopher Robert Troyak**, Plano, TX (US); **Jeffrey Russell Waegelin**, Rockwall, TX (US); **Brian Richard Delaney**, Rockwall, TX (US)

(73) Assignee: **Innovation First, Inc.**, Greenville, TX (US)

(**) Term: **14 Years**

(21) Appl. No.: **29/399,673**

(22) Filed: **Aug. 17, 2011**

(51) **LOC (9) Cl.** **21-01**

(52) **U.S. Cl.** **D21/658; D21/650**

(58) **Field of Classification Search** D6/596;
D11/158; D30/160; D21/576, 578-585,
D21/650, 658-659; 446/72, 97-98, 268-269,
446/356, 369, 377

See application file for complete search history.

(56) **References Cited**

U.S. PATENT DOCUMENTS

D304,484 S * 11/1989 Knudsen D21/658
* cited by examiner

Primary Examiner — Sandra Morris
(74) *Attorney, Agent, or Firm* — Adam K. Sacharoff

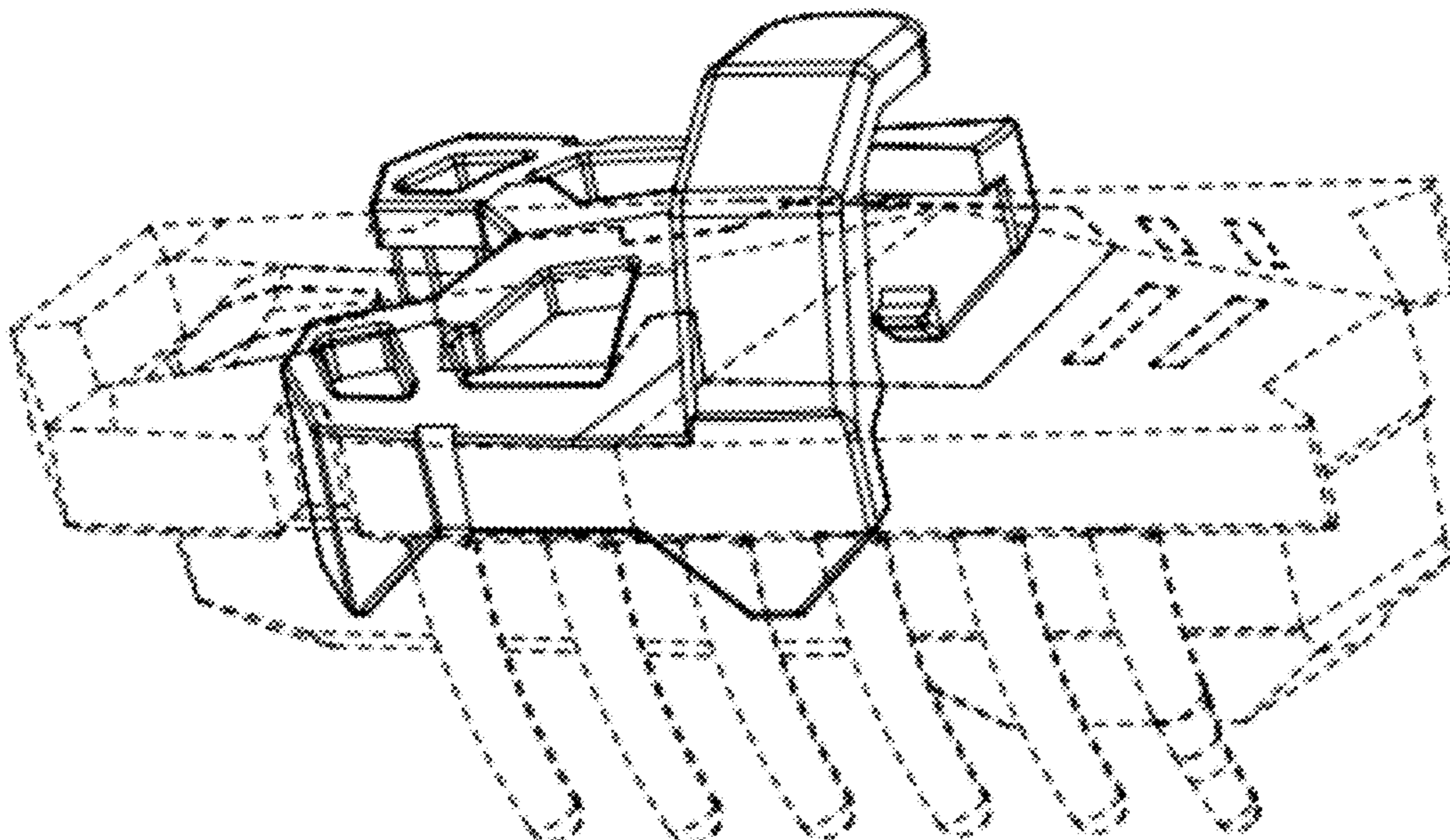
(57) **CLAIM**

The ornamental design for a attachment component for use with a toy robot, as shown and described.

DESCRIPTION

FIG. 1 is a top perspective view showing an attachment component for use with a toy robot;
FIG. 2 is a bottom perspective view of FIG. 1;
FIG. 3 is a right side view of FIG. 1;
FIG. 4 is a left side view of FIG. 1;
FIG. 5 is a front side view of FIG. 1;
FIG. 6 is a back side view of FIG. 1;
FIG. 7 is a top side view of FIG. 1;
FIG. 8 is a bottom side view of FIG. 1;
FIG. 9 is a top perspective view showing the attachment component for use with a toy robot, illustrating the attachment component attached to a toy robot in dotted lines;
FIG. 10 is a right side view of FIG. 9;
FIG. 11 is a left side view of FIG. 9;
FIG. 12 is a front side view of FIG. 9;
FIG. 13 is a back side view of FIG. 9;
FIG. 14 is a top side view of FIGS. 9; and,
FIG. 15 is a bottom side view of FIG. 9.
The broken line showing is for illustrative purposes only, and forms no part of the claimed design.

1 Claim, 15 Drawing Sheets



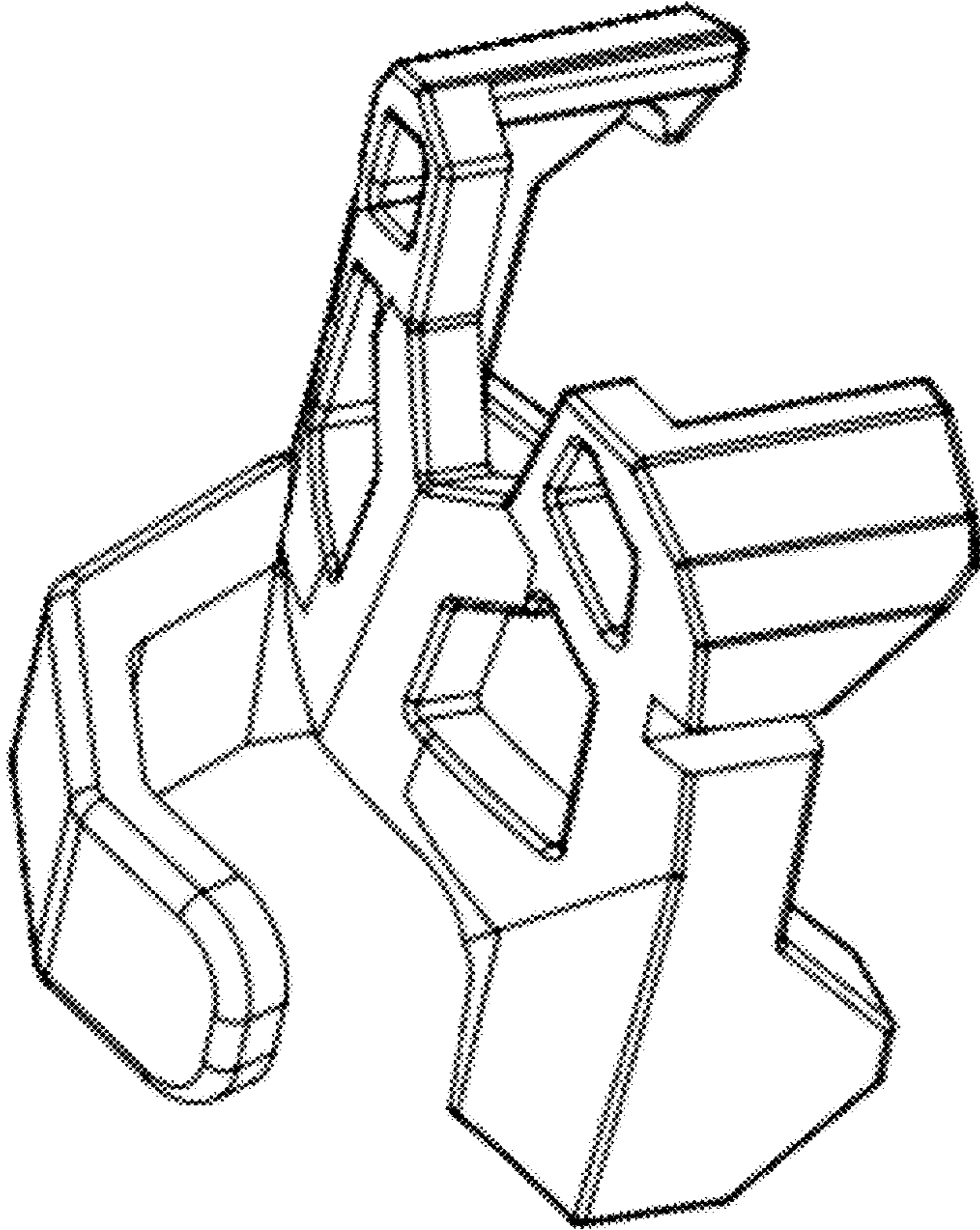


FIGURE 1

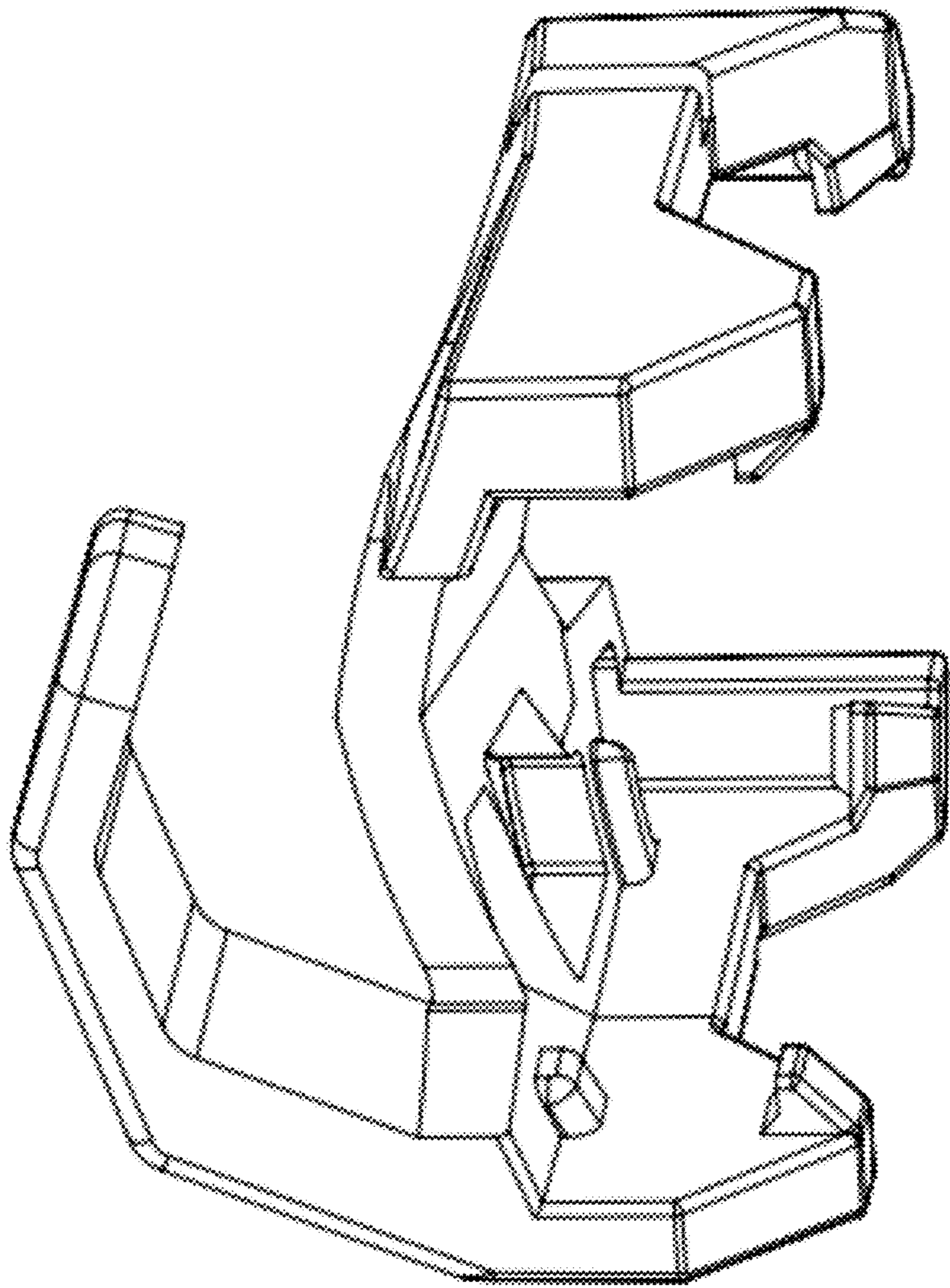


FIGURE 2

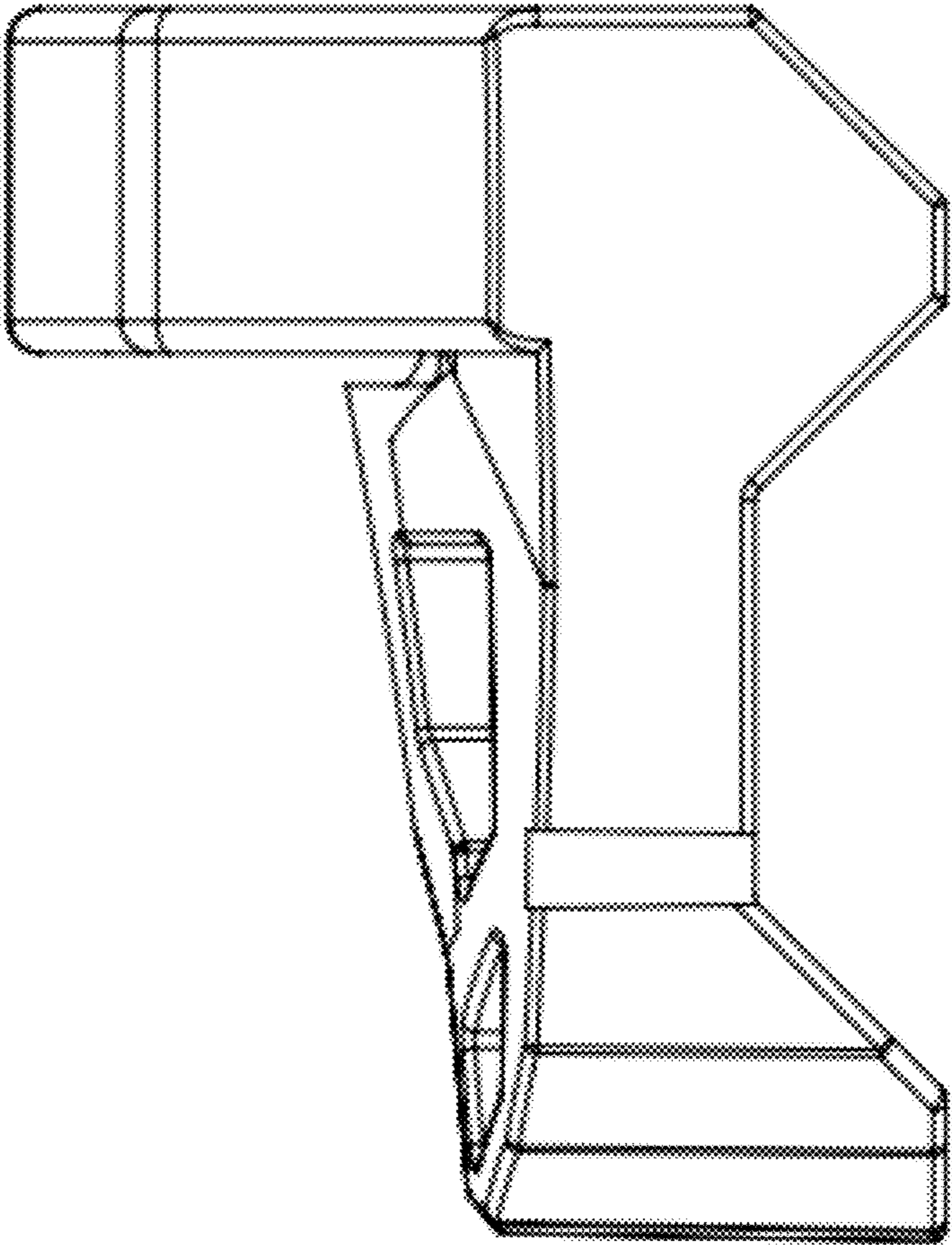


FIGURE 3

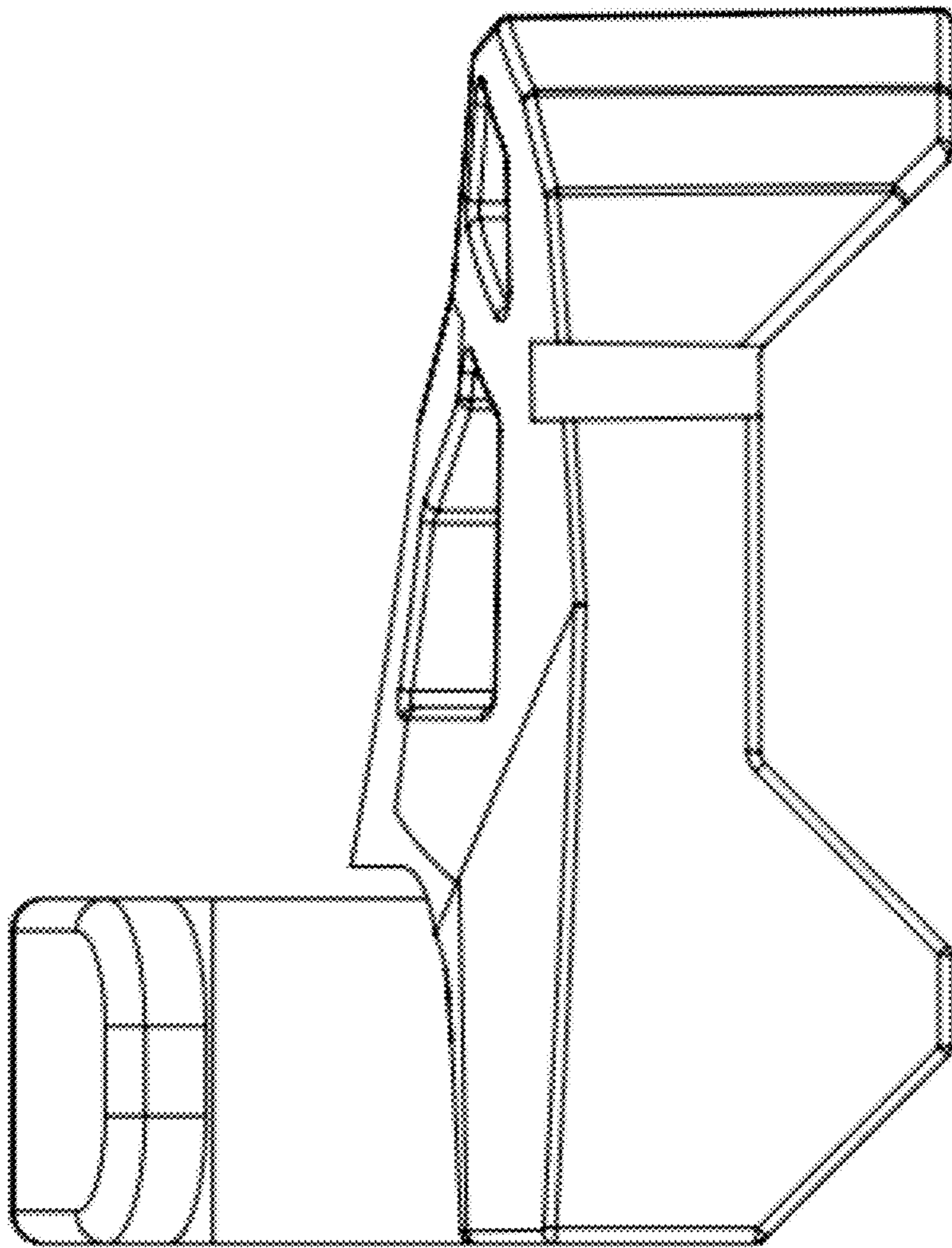


FIGURE 4

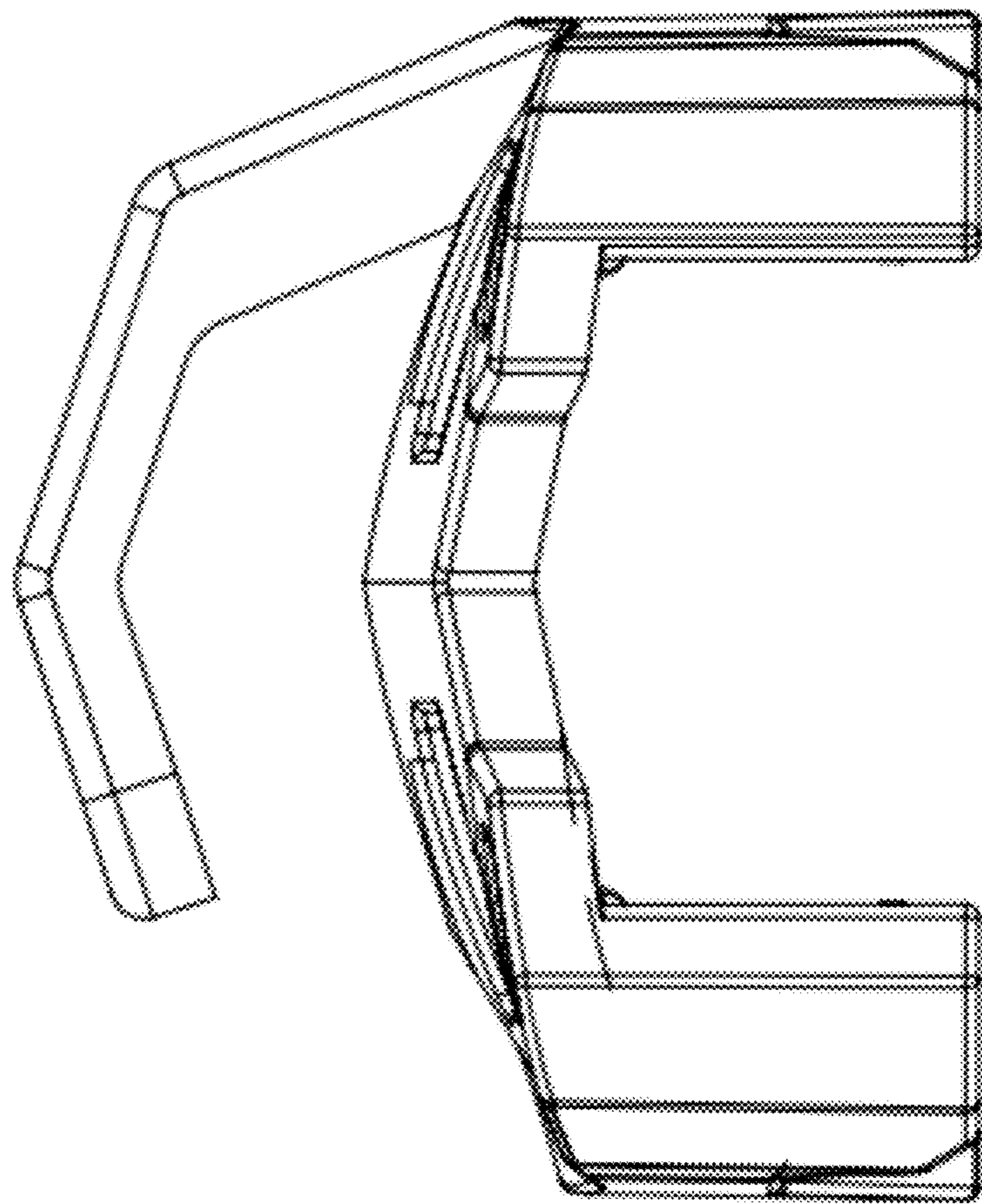


FIGURE 5

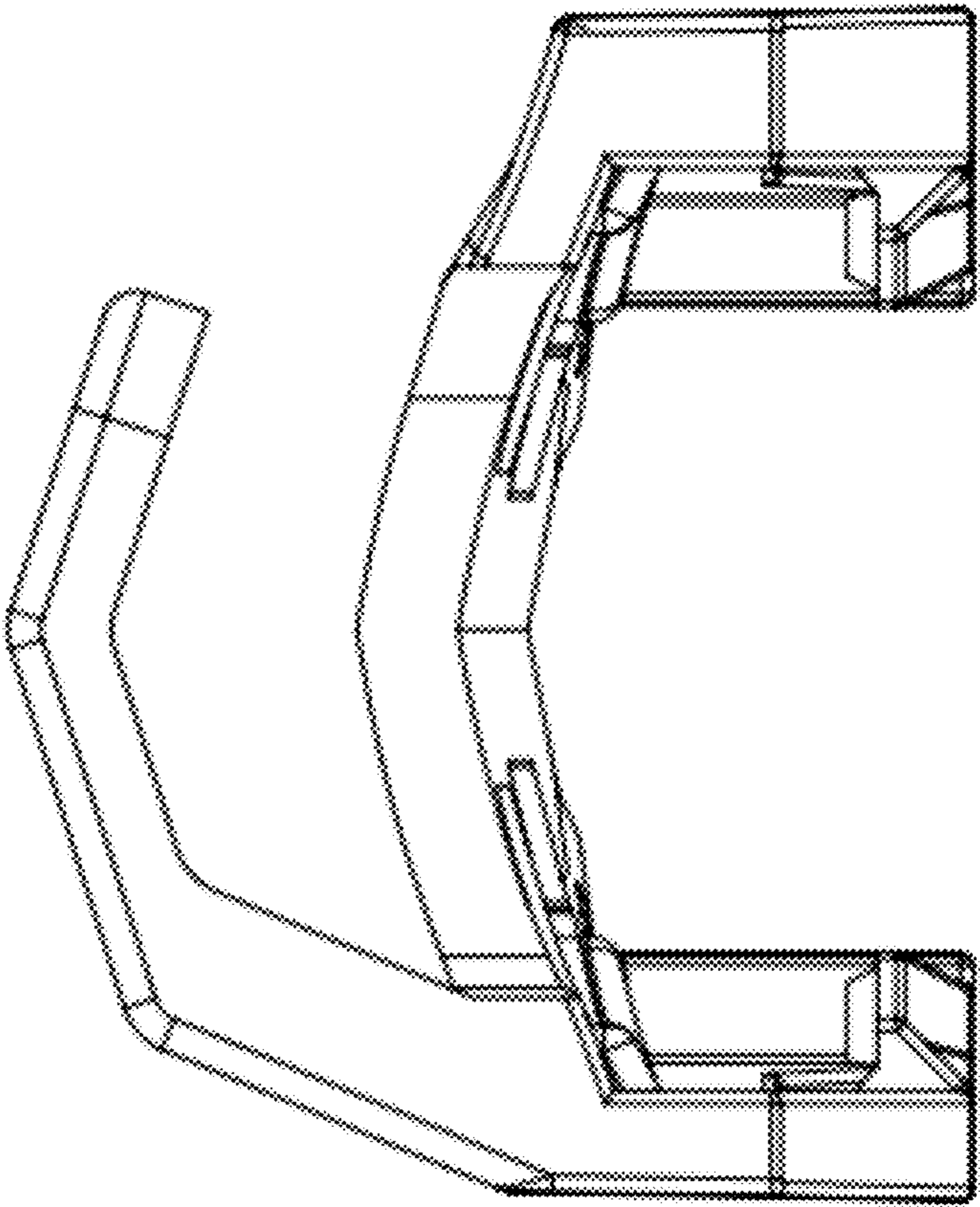


FIGURE 6

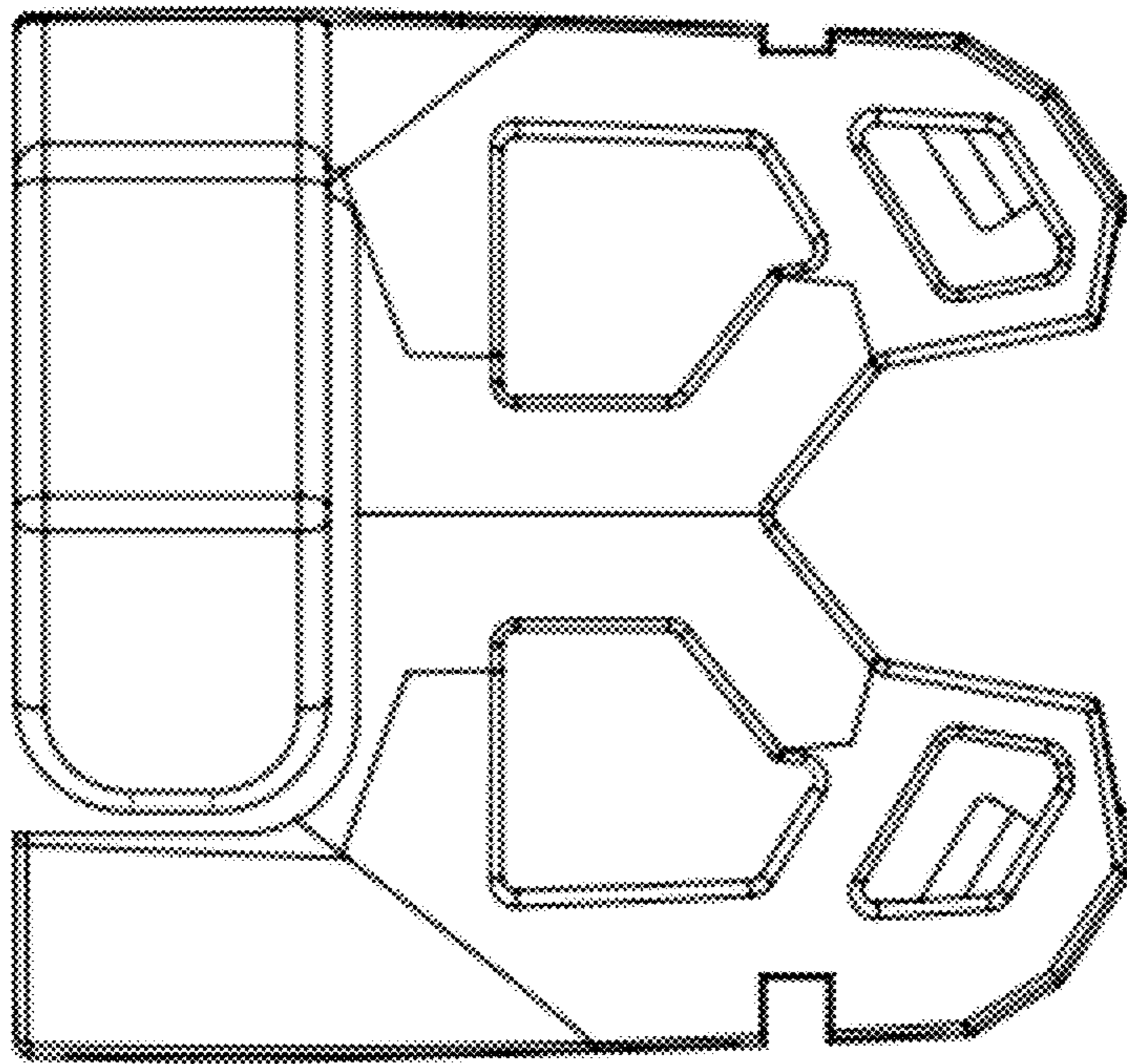


FIGURE 7

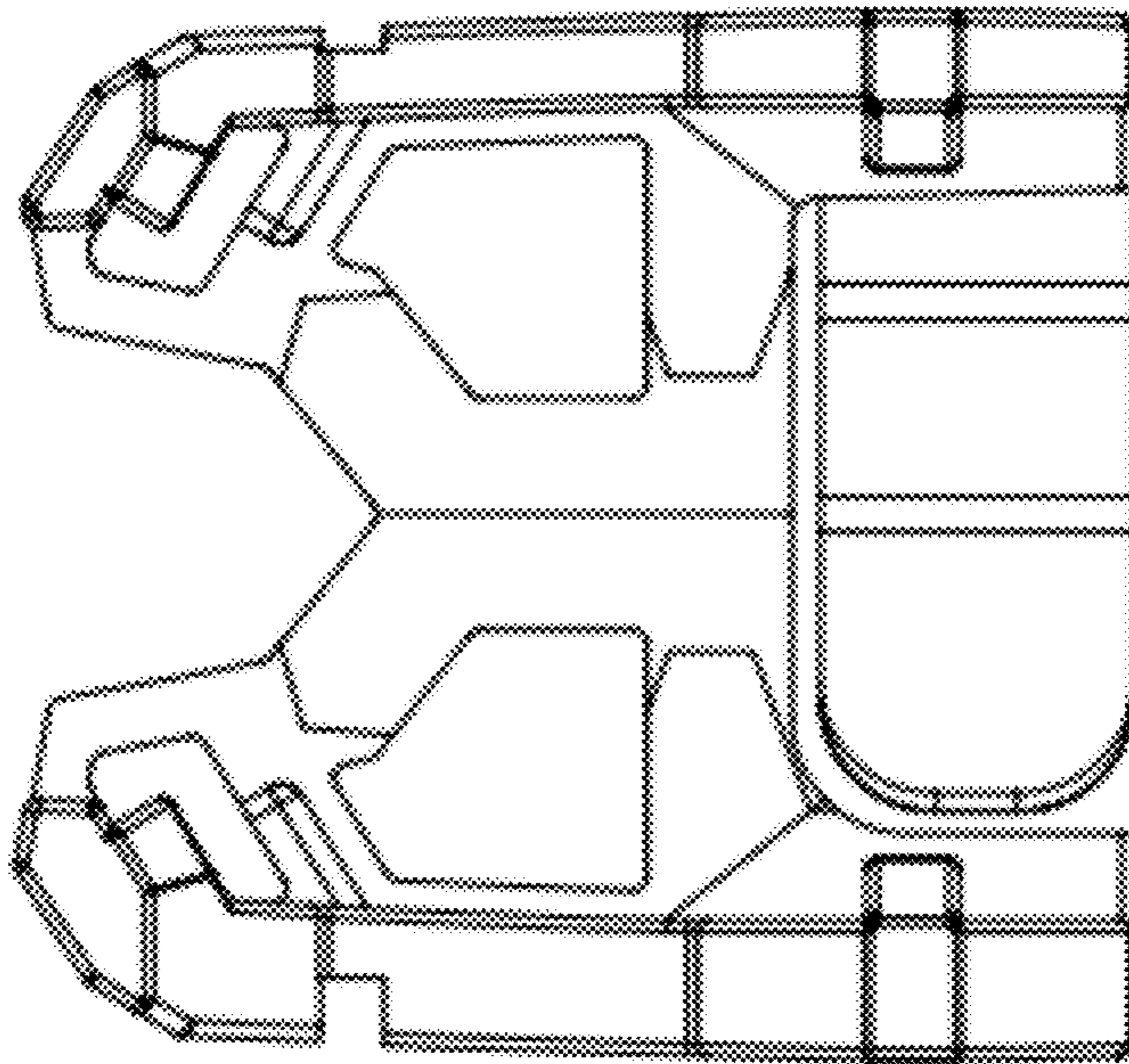


FIGURE 8

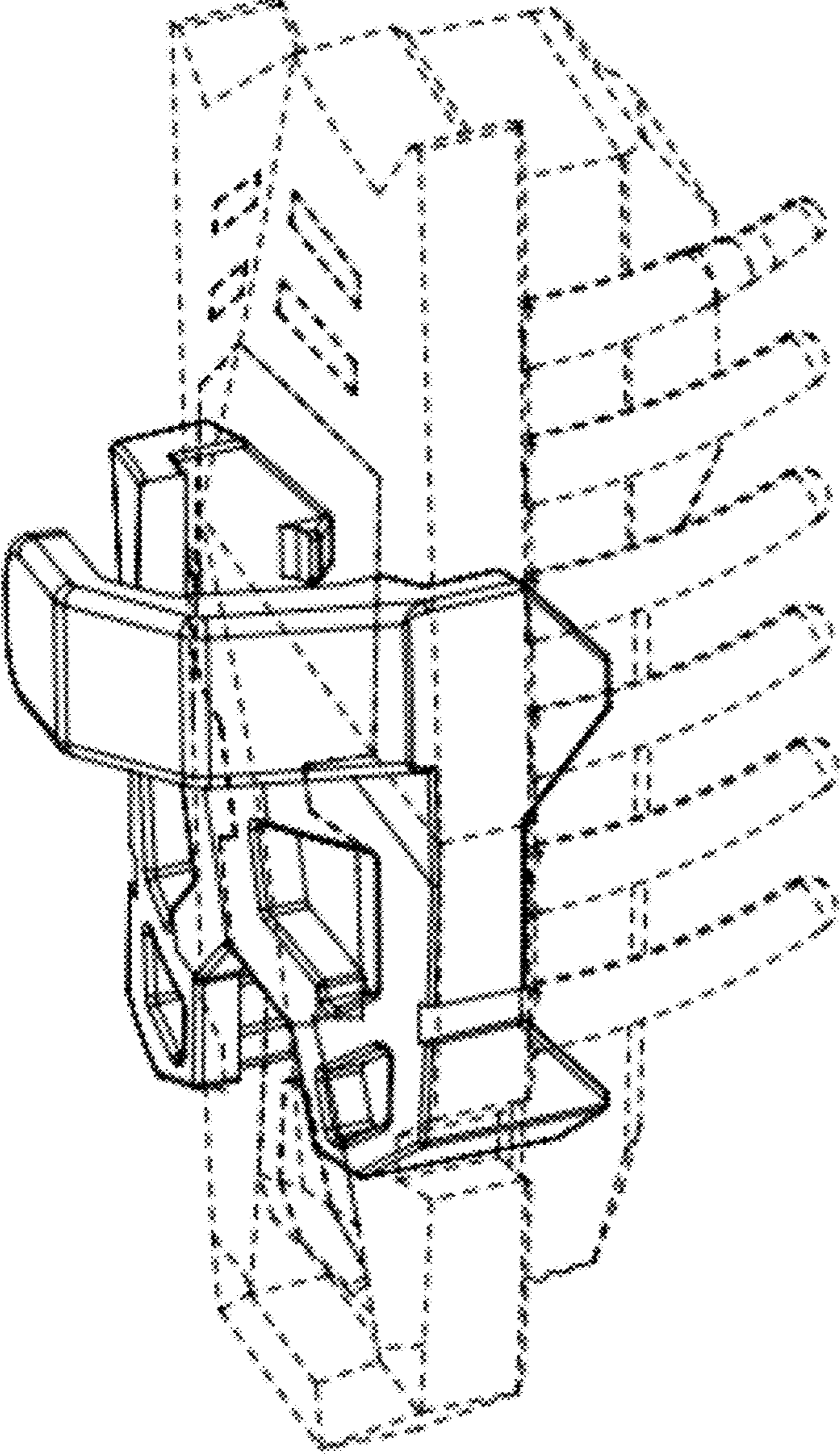


FIGURE 9

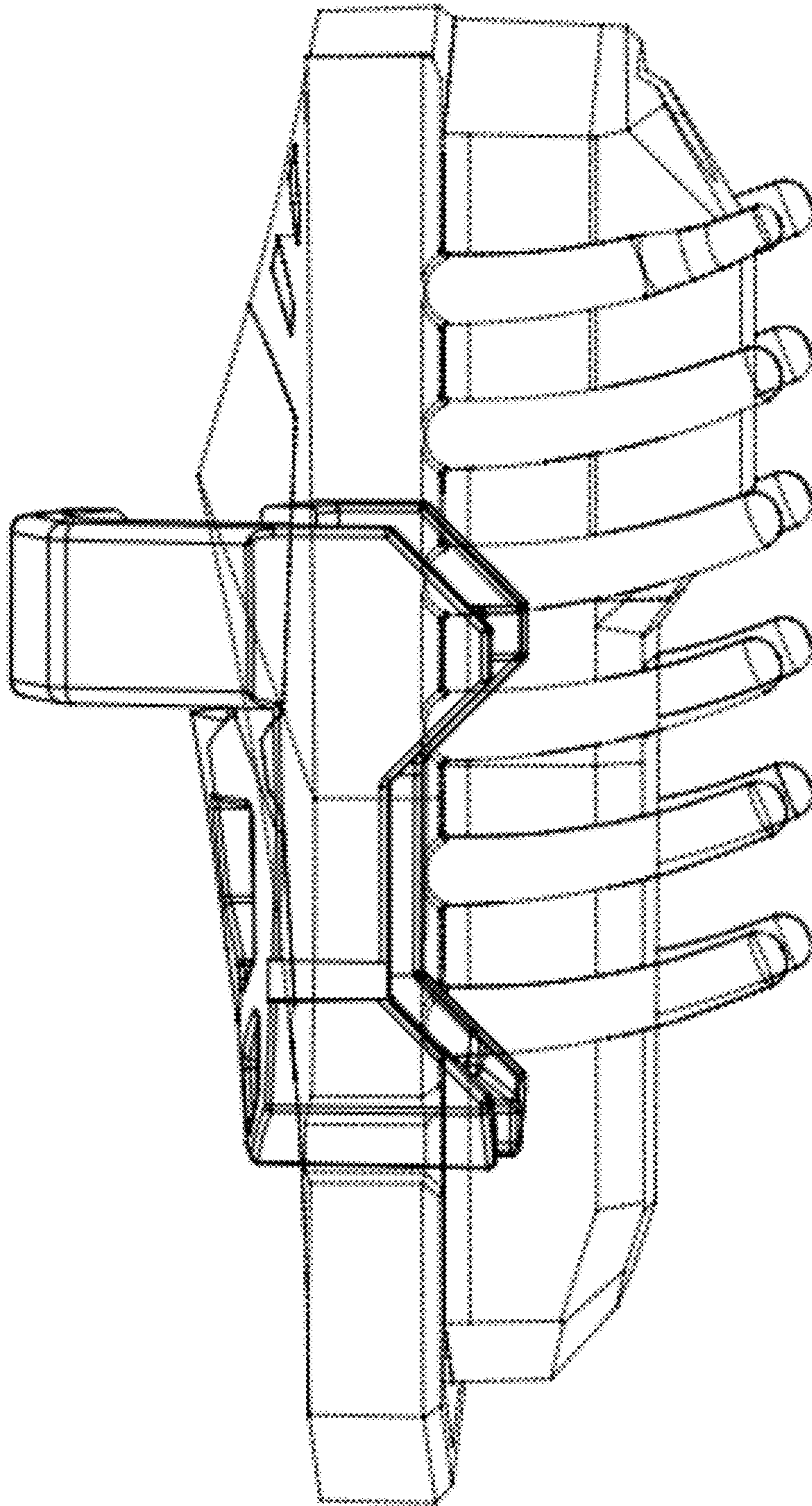


FIGURE 10

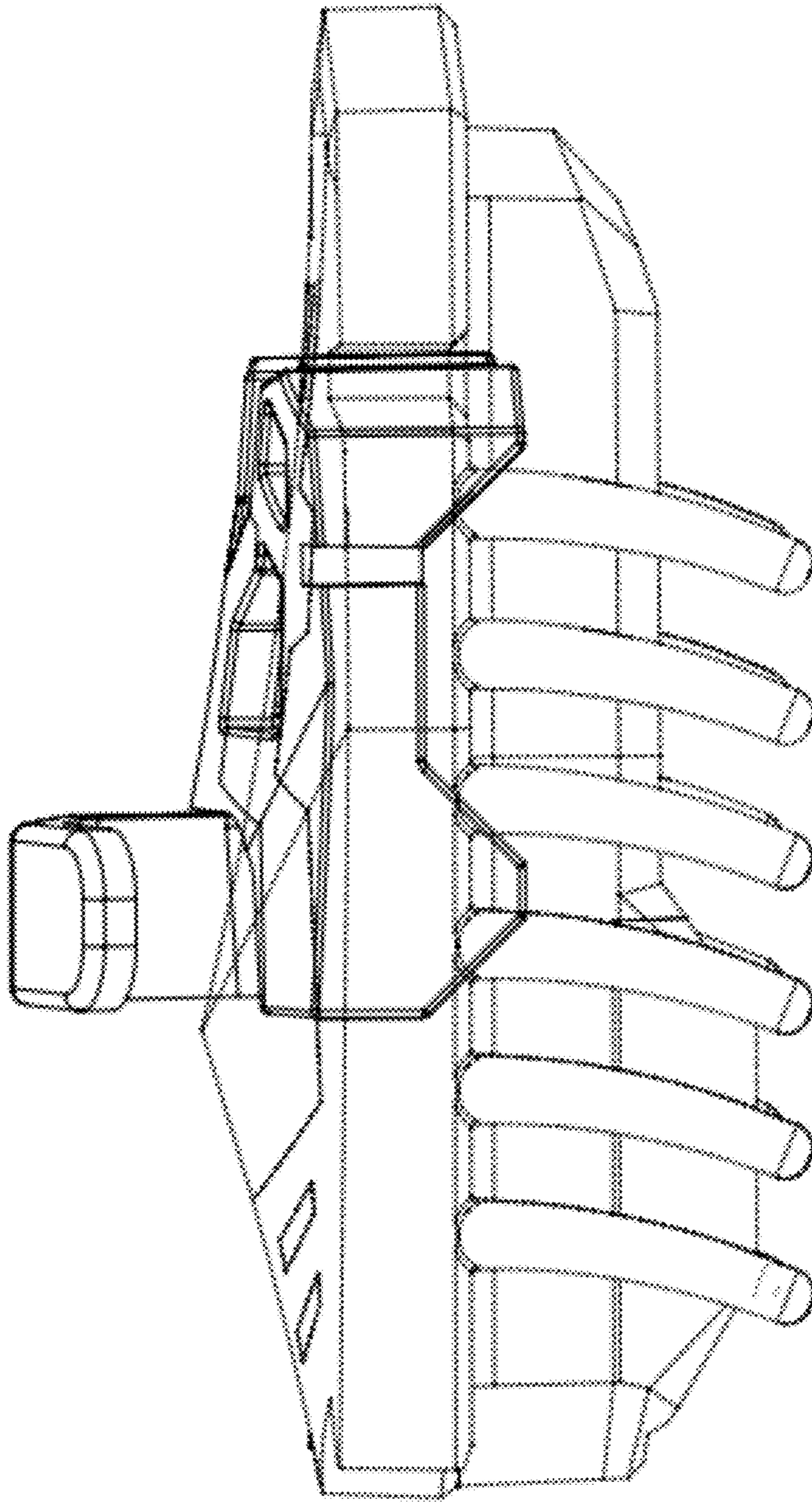


FIGURE 11

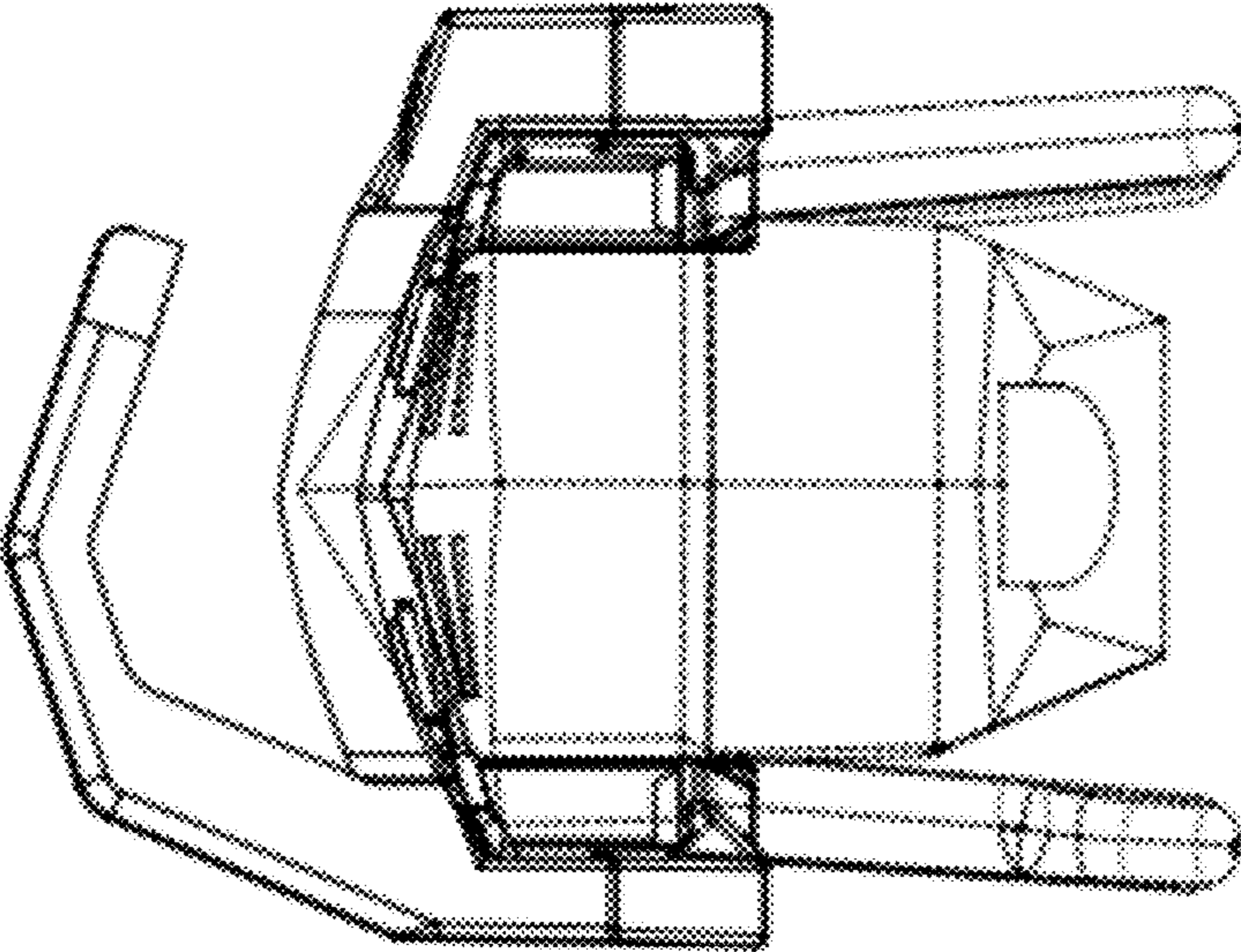


FIGURE 12

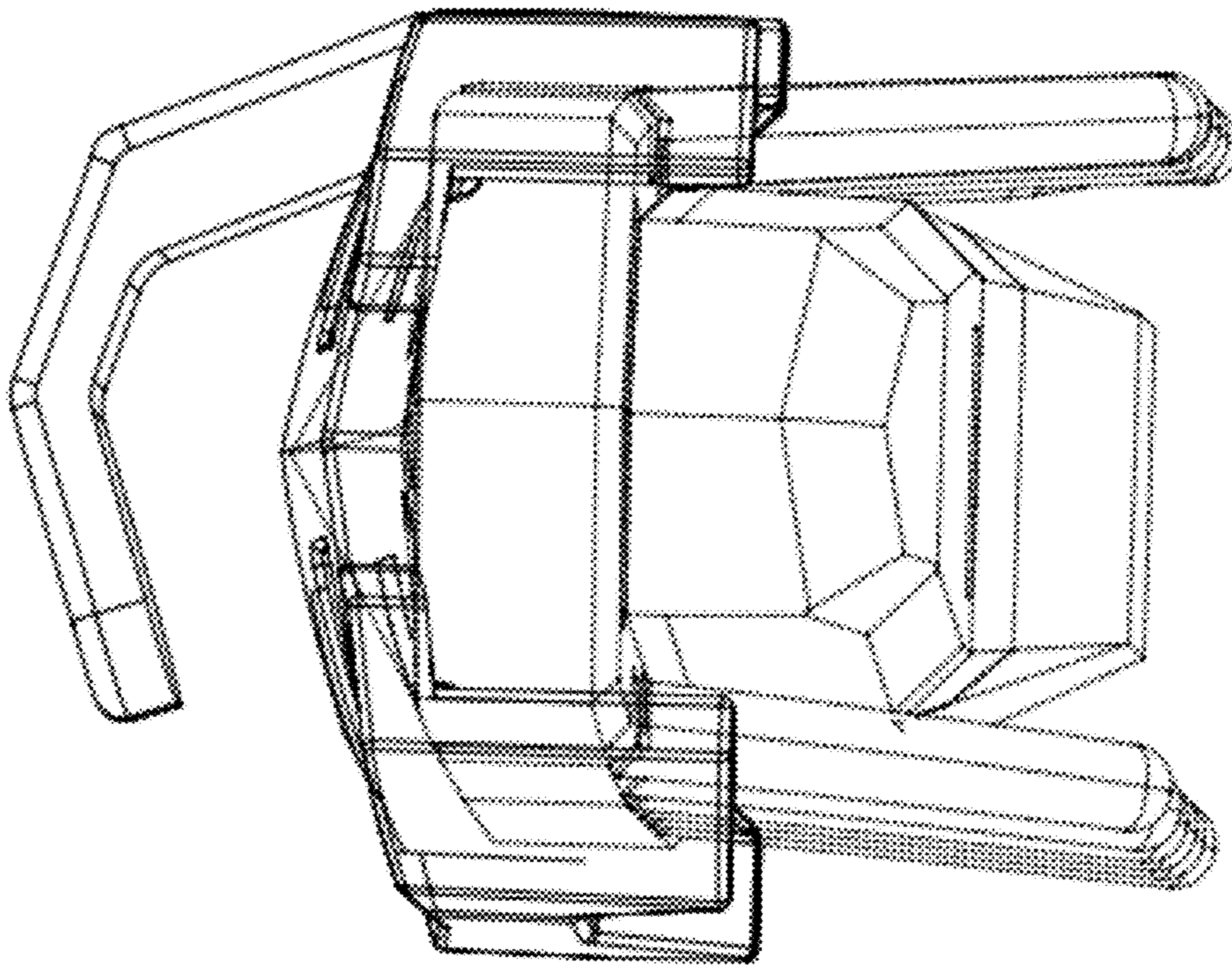


FIGURE 13

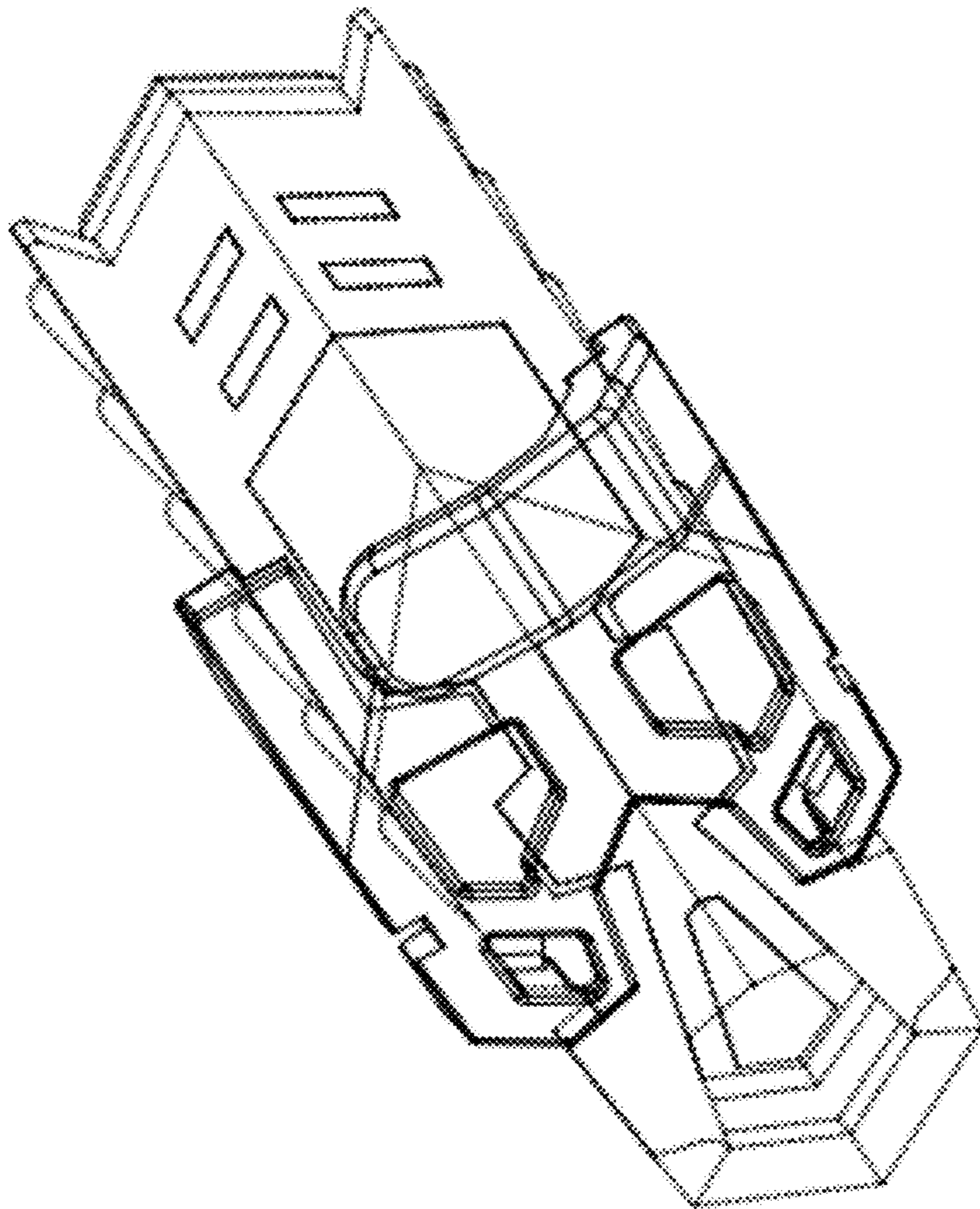


FIGURE 14

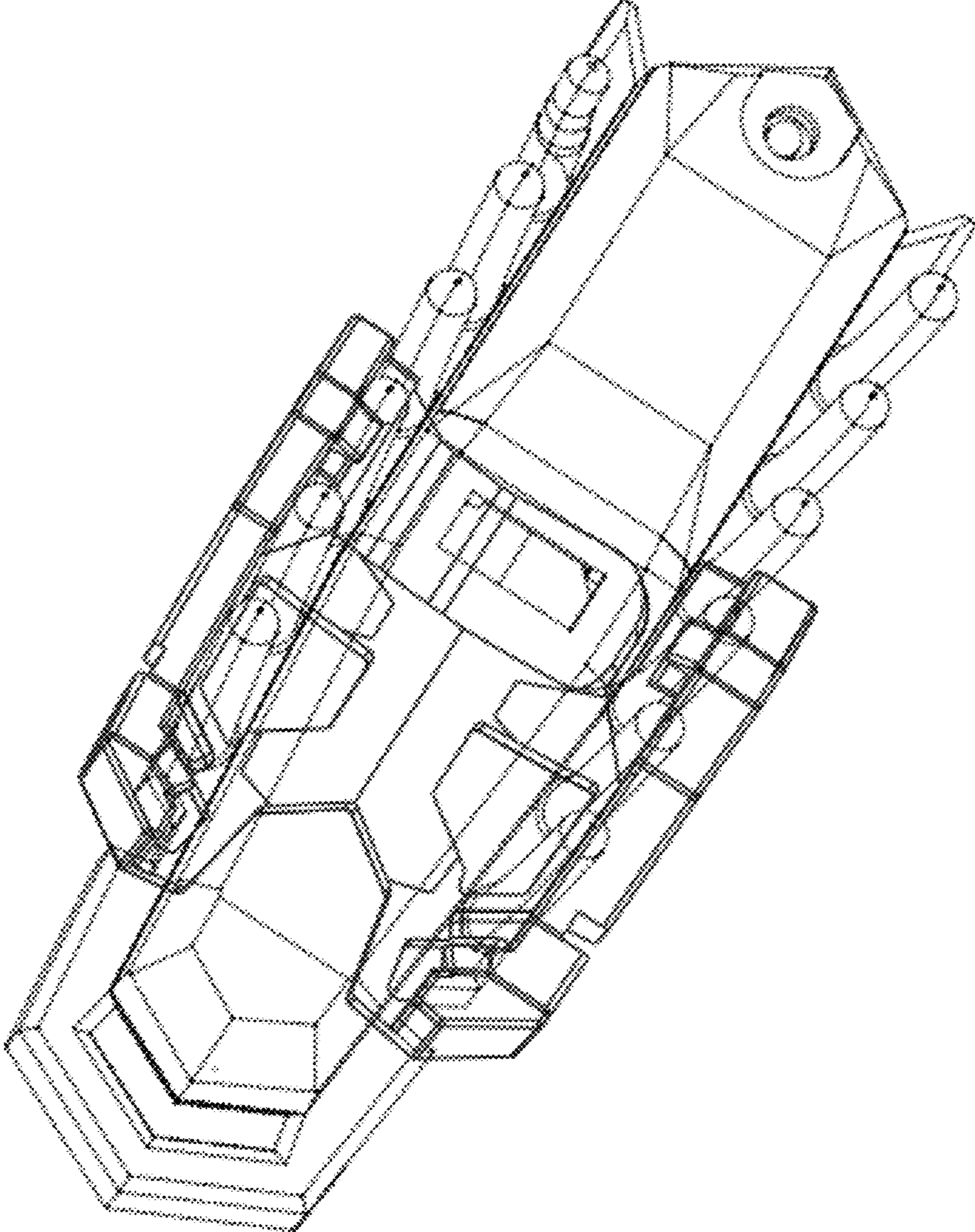


FIGURE 15