



US00D669941S

(12) **United States Design Patent**
Kim

(10) **Patent No.:** **US D669,941 S**

(45) **Date of Patent:** **** Oct. 30, 2012**

- (54) **COUPLING JOINT FOR TOY**
- (75) Inventor: **Young-Hwan Kim**, Seoul (KR)
- (73) Assignee: **Arthouse Co., Ltd.**, Seoul (KR)
- (**) Term: **14 Years**
- (21) Appl. No.: **29/388,758**
- (22) Filed: **Apr. 1, 2011**
- (51) **LOC (9) Cl.** **21-01**
- (52) **U.S. Cl.** **D21/488**; D8/382
- (58) **Field of Classification Search** D21/484-505;
D8/83, 354, 382, 397; 273/153, 156; 446/69,
446/85, 102-128; 434/259
See application file for complete search history.

6,030,270 A *	2/2000	Krog	446/102
D434,812 S *	12/2000	Lehn Høeg	D21/487
D453,000 S *	1/2002	Shinjo et al.	D8/397
D481,299 S *	10/2003	Fujioka	D8/382
D504,809 S *	5/2005	Sato et al.	D8/382
D513,471 S *	1/2006	Sato et al.	D8/382
D517,128 S *	3/2006	Kim	D21/503
D517,616 S *	3/2006	Kim	D21/503
D520,841 S *	5/2006	Huang	D8/83
D573,202 S *	7/2008	Chun	D21/503
D614,247 S *	4/2010	Clausen	D21/488
7,980,912 B2 *	7/2011	Shoptaugh	446/85

* cited by examiner

Primary Examiner — Cynthia M Chin

(74) *Attorney, Agent, or Firm* — Sherr & Jiang, PLLC

(57) **CLAIM**

The ornamental design for a “coupling joint for toy,” as shown and described.

DESCRIPTION

FIG. 1 is a perspective view of a coupling joint for toy, showing my new design;
 FIG. 2 is a front view thereof;
 FIG. 3 is a rear view thereof;
 FIG. 4 is a left side view thereof;
 FIG. 5 is a right side view thereof;
 FIG. 6 is a top view thereof; and,
 FIG. 7 is a bottom view thereof.

1 Claim, 7 Drawing Sheets

(56) **References Cited**

U.S. PATENT DOCUMENTS

D214,745 S *	7/1969	Walker	D21/488
D276,830 S *	12/1984	Petersson	D21/487
D304,961 S *	12/1989	Weiland	D21/488
D314,995 S *	2/1991	Poulsen et al.	D21/488
D315,181 S *	3/1991	Meyer	D21/487
5,049,104 A *	9/1991	Olsen	446/104
D335,155 S *	4/1993	Pedersen	D21/500
D354,996 S *	1/1995	Barzani	D21/488
D377,060 S *	12/1996	Frederiksen	D21/488

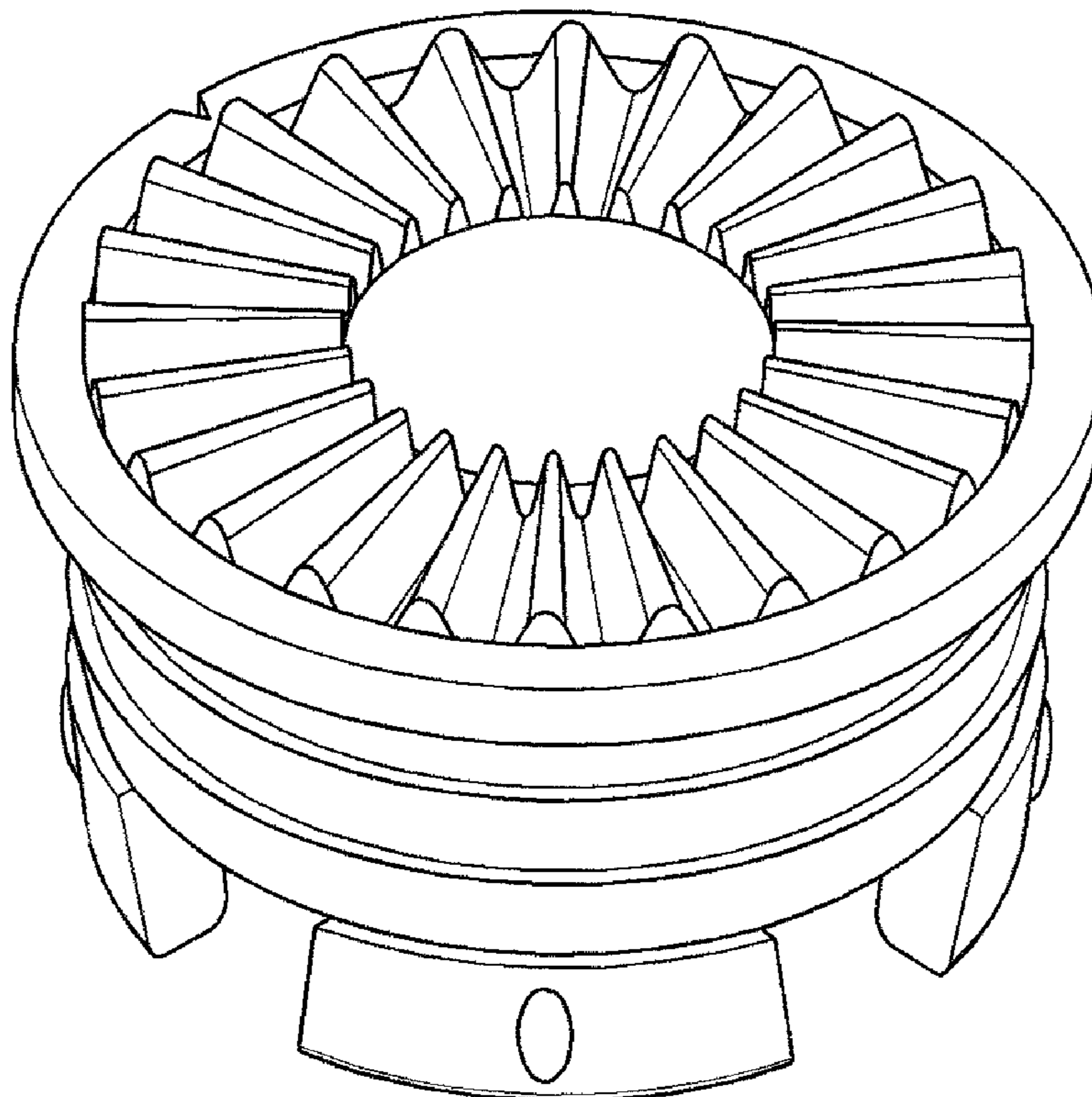


FIG. 1

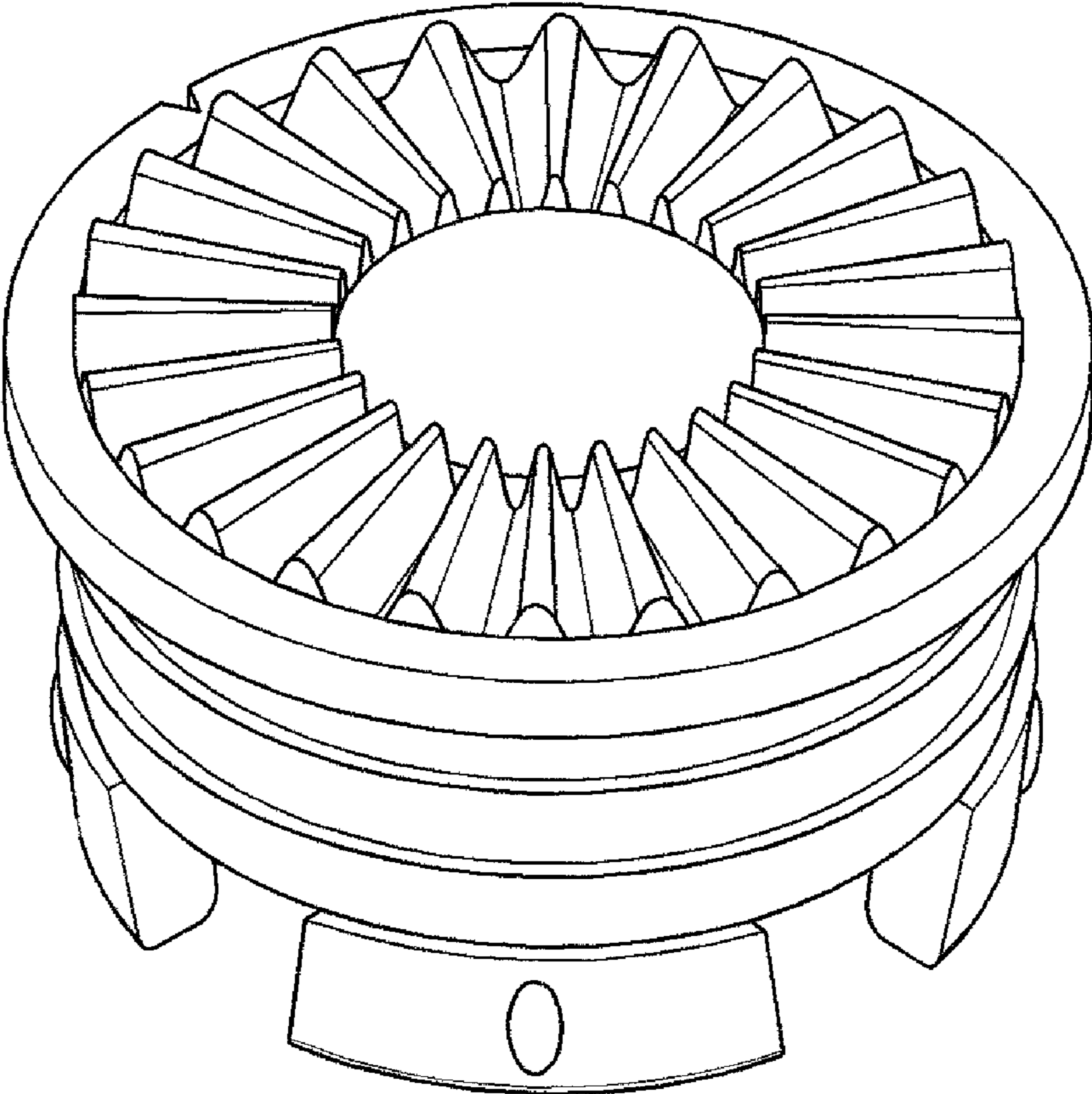


FIG. 2

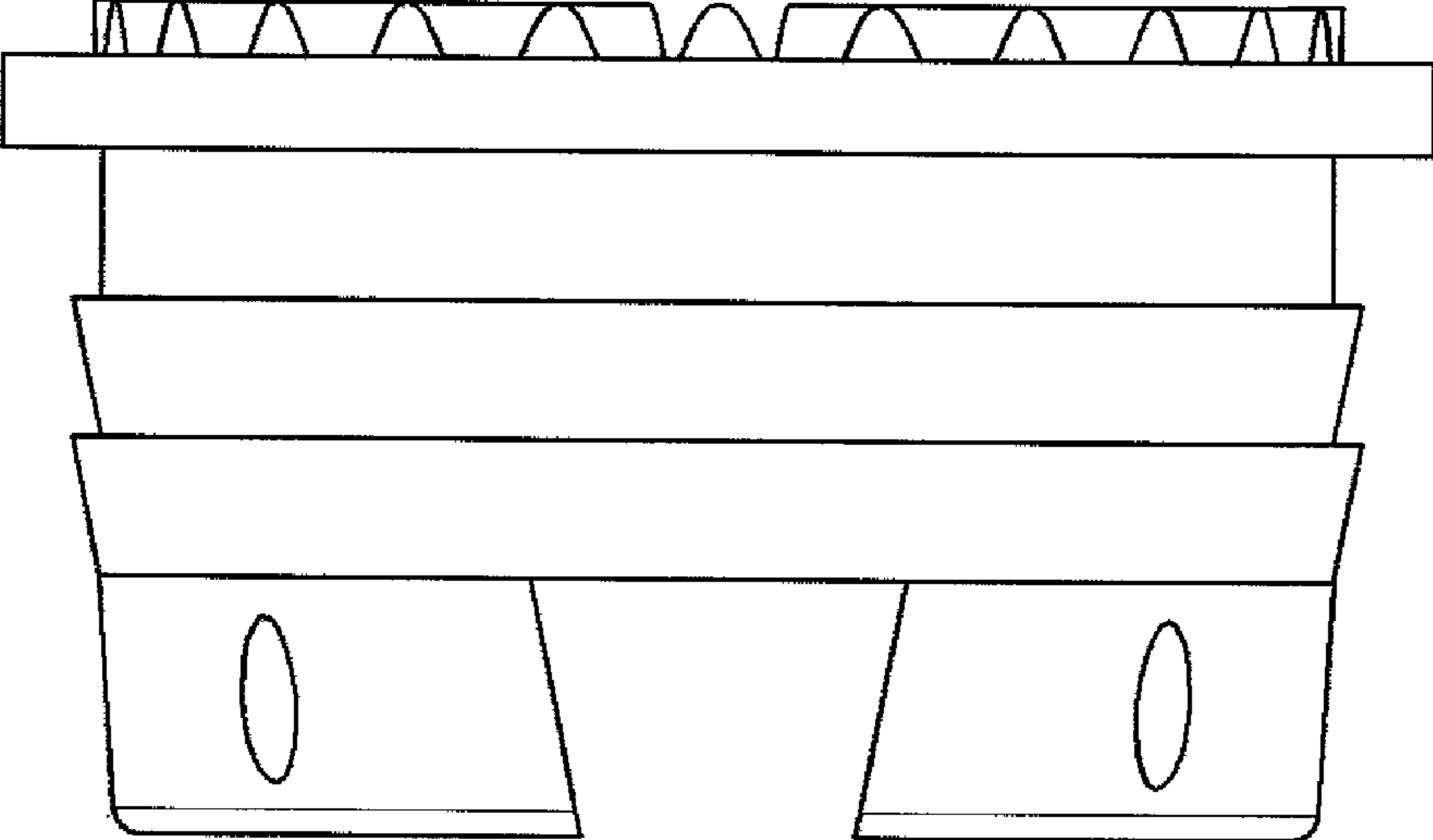


FIG. 3

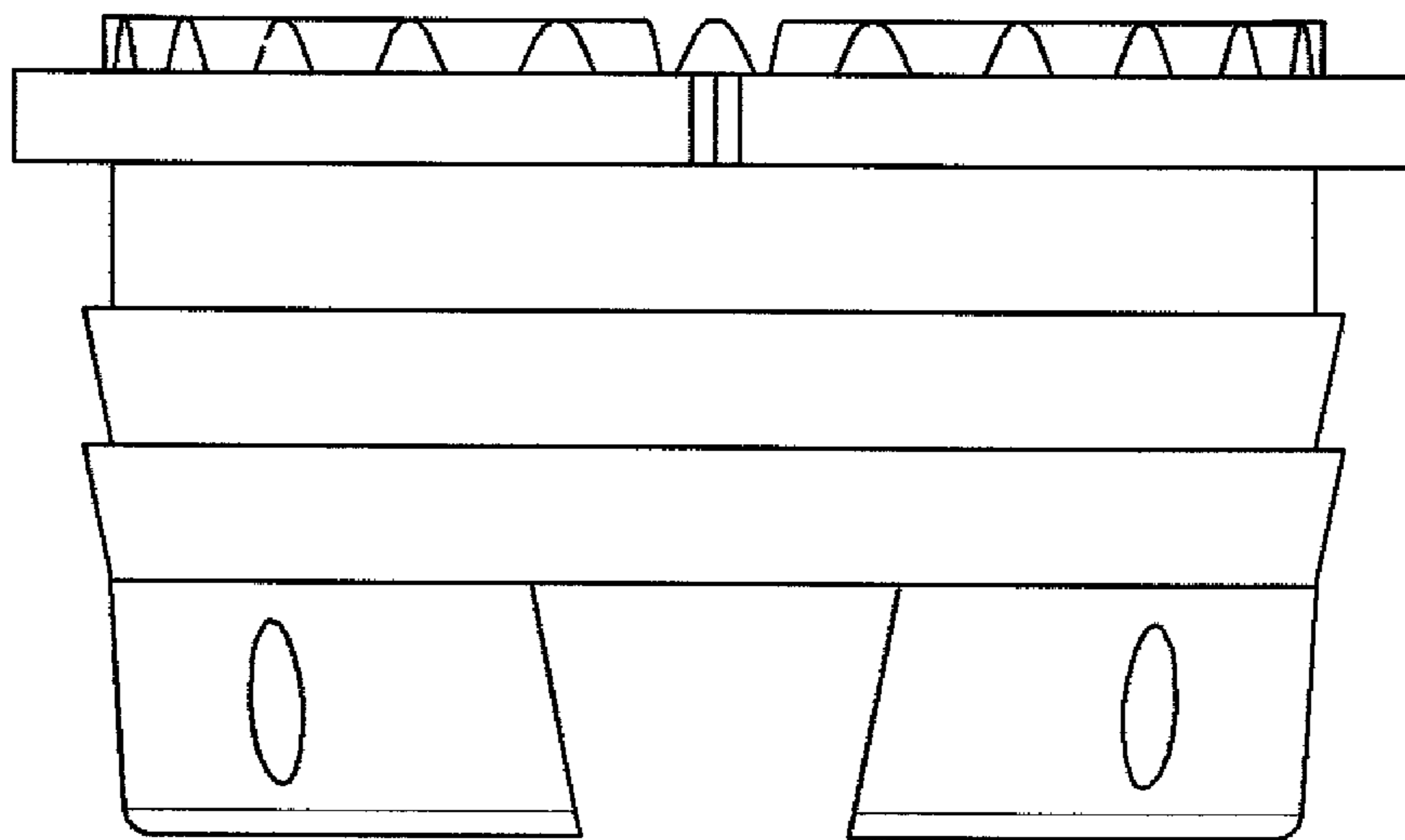


FIG. 4

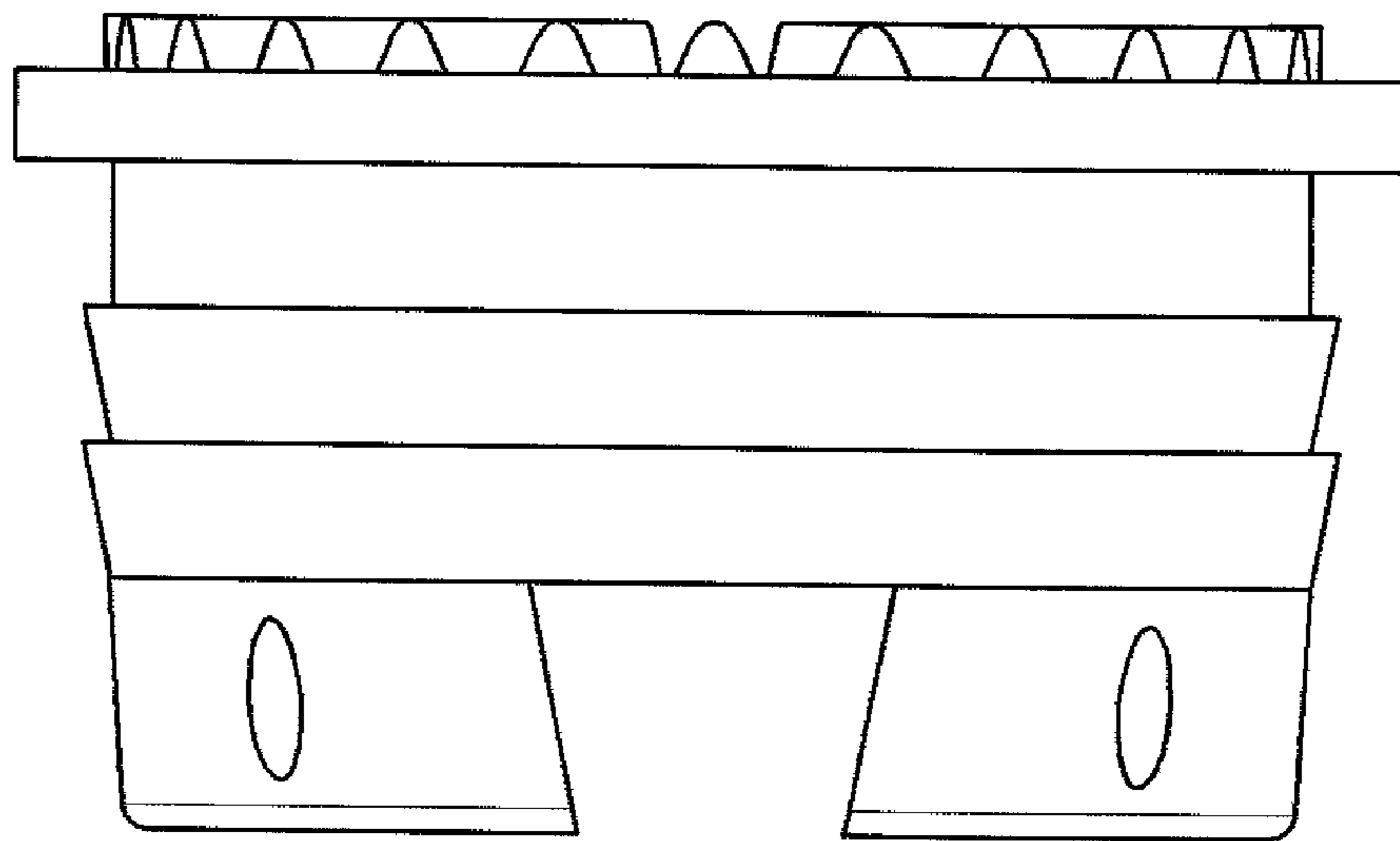


FIG. 5

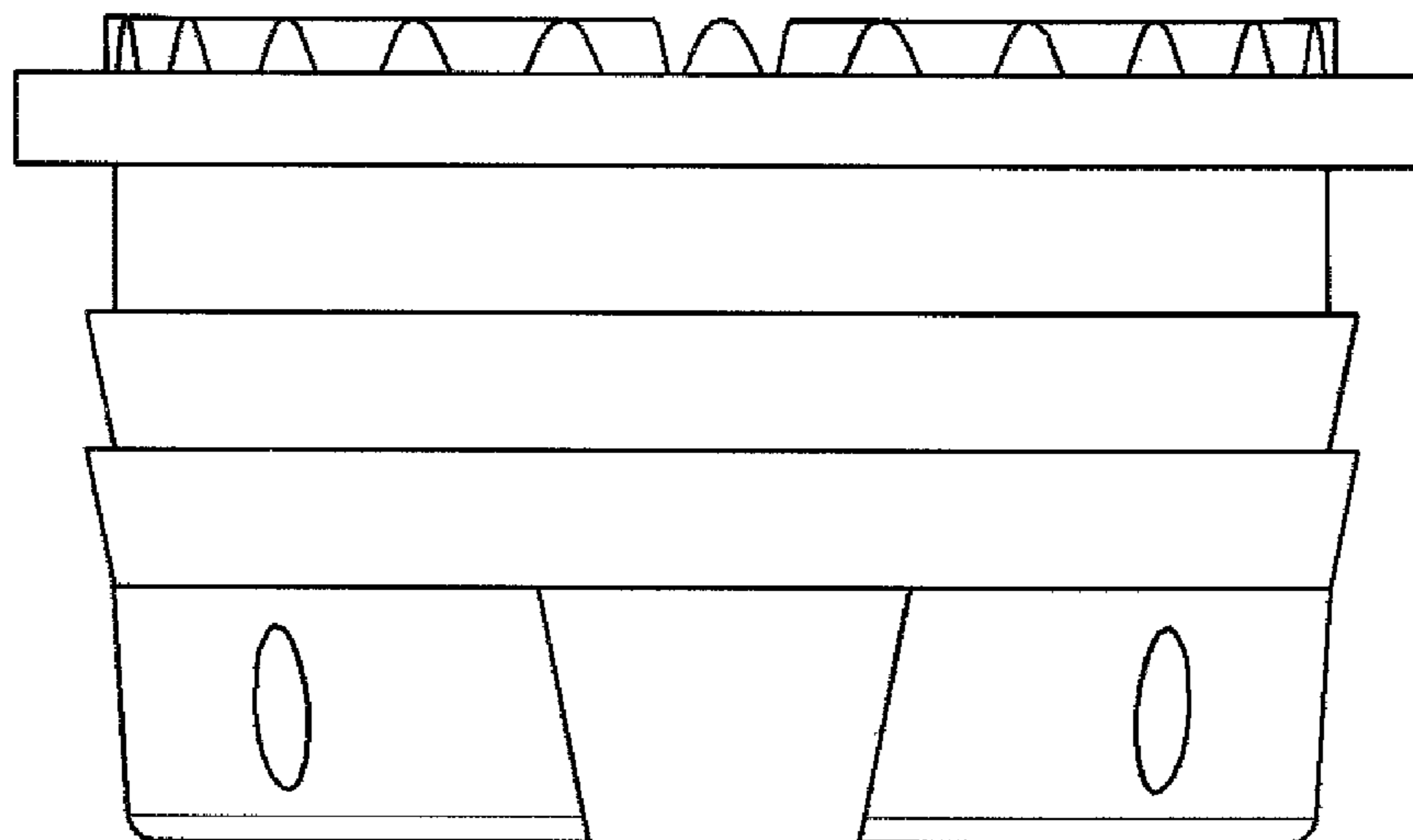


FIG. 6

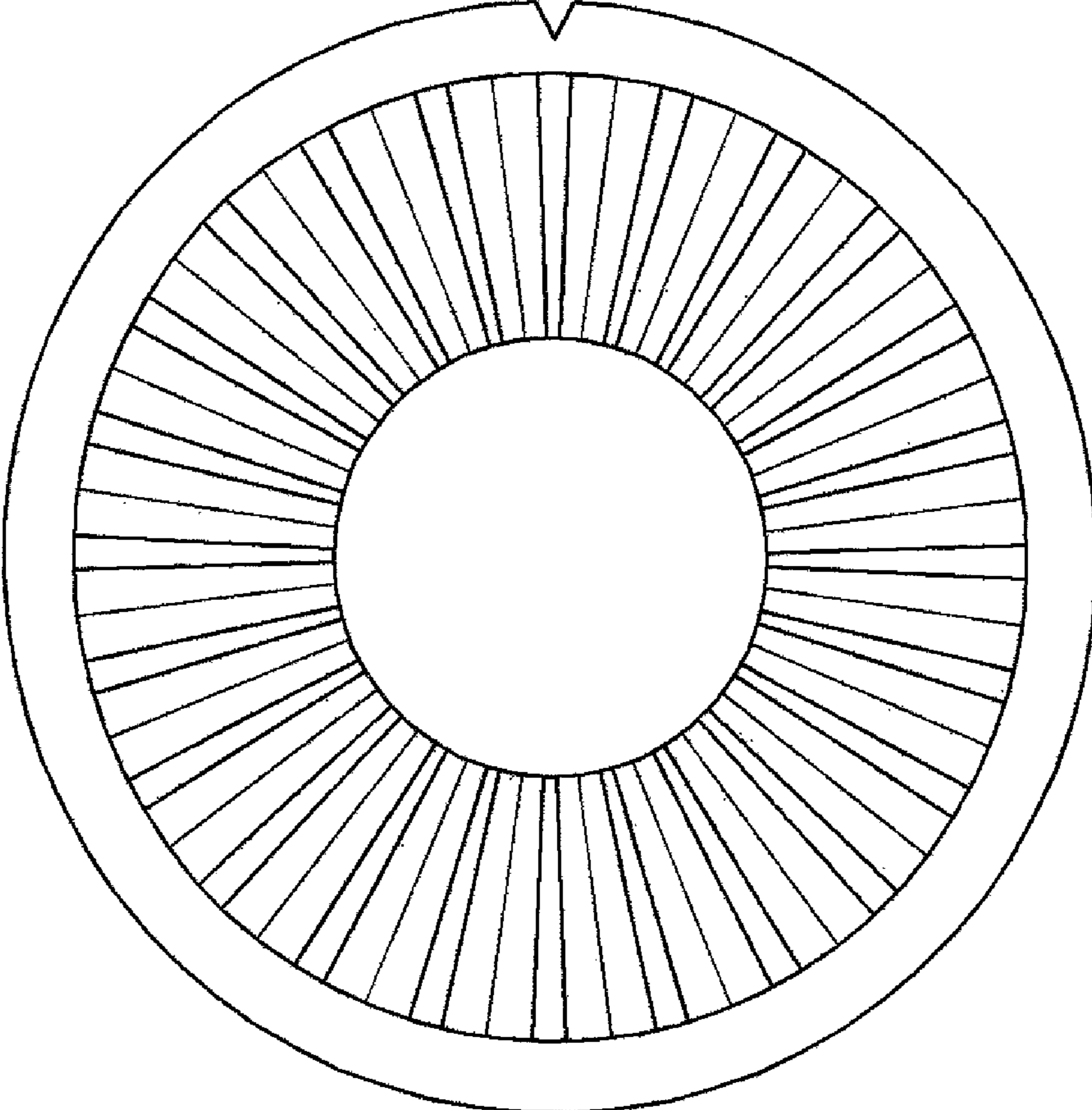


FIG. 7

