

US00D669940S

(12) **United States Design Patent**
Berkshire

(10) **Patent No.:** **US D669,940 S**

(45) **Date of Patent:** **** Oct. 30, 2012**

(54) **COLLAPSIBLE AND INTERLOCKING
STACKING TOWER TOY**

(76) **Inventor:** **Glen Berkshire**, Harrisonburg, VA (US)

(**) **Term:** **14 Years**

(21) **Appl. No.:** **29/372,158**

(22) **Filed:** **Oct. 25, 2010**

(51) **LOC (9) Cl.** **21-01**

(52) **U.S. Cl.** **D21/471; D21/398**

(58) **Field of Classification Search** D21/302,
D21/304, 309, 385, 386, 398, 400, 403, 405,
D21/411, 452, 455, 465, 468, 471, 478, 479,
D21/481, 483, 486, 487, 494, 505, 510, 567,
D21/568, 570, 585, 589, 679, 691, 698, 699,
D21/721, 811, 812; D3/5, 7, 10; D6/317,
D6/320, 411, 415, 429, 431, 455, 457, 458,
D6/495, 496, 499, 513, 521; D10/113.2,
D10/114.6, 114.9; D11/141, 166, 181, 182;
D20/41, 42; D22/117, 122; D23/368, 369;
D25/126, 128, 129, 131, 132; 446/4, 69,
446/85, 102, 105, 117, 119-123, 127, 227,
446/308, 320, 400, 402, 473, 478, 487, 489,
446/491; 428/9, 12, 28; 16/429; 116/63 P,
116/173; 135/25.1, 25.4, 37-43, 74, 75;
403/109.1-109.8, 379.5; 248/407, 423, 188.5,
248/157, 326, 333-338

See application file for complete search history.

(56) **References Cited**

U.S. PATENT DOCUMENTS

143,044 A * 9/1873 Waters 446/206
1,365,851 A * 1/1921 Reynolds 403/107
1,640,171 A * 8/1927 Yancey 446/489
1,860,253 A * 5/1932 Lanspa 403/379.3
2,252,678 A * 8/1941 Mcc Beary 434/98

2,771,261 A * 11/1956 Niggeloh 248/188.5
2,949,692 A * 8/1960 Kuhn 446/69
3,037,320 A * 6/1962 Powell 446/473
3,407,514 A * 10/1968 Christian 434/174
3,442,045 A * 5/1969 Green 446/297
3,866,257 A * 2/1975 Cansdale, Sr. 15/230.11
4,279,096 A * 7/1981 Guidry 446/69
D279,393 S * 6/1985 Hilko D21/471
D280,996 S * 10/1985 Epstein D21/468
4,699,601 A * 10/1987 Hershfeld 446/69
D406,543 S * 3/1999 Brown et al. D10/113.2
6,371,686 B1 * 4/2002 Wu 403/377
6,755,715 B2 * 6/2004 Wong 446/320

FOREIGN PATENT DOCUMENTS

JP D1286691 * 11/2006

* cited by examiner

Primary Examiner — Catherine Tuttle

(74) *Attorney, Agent, or Firm* — Daniel L. Fitch; Wharton
Aldhizer & Weaver PLC

(57) **CLAIM**

The ornamental design for a collapsible and interlocking
stacking tower toy, as shown and described.

DESCRIPTION

FIG. 1 is a top perspective view of a collapsible and interlocking
stacking tower toy showing the new design extended
to full height.

FIG. 2 is a left side view thereof;

FIG. 3 is a right side view thereof;

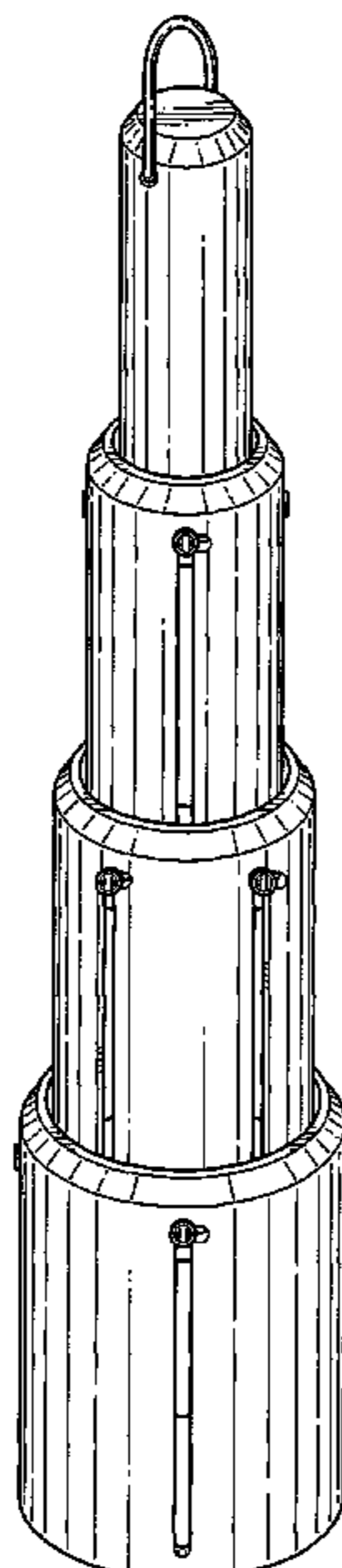
FIG. 4 is a top view thereof;

FIG. 5 is a bottom view thereof;

FIG. 6 is a top perspective view thereof showing the new
design fully collapsed; and,

FIG. 7 is a left side view thereof showing the new design fully
collapsed.

1 Claim, 4 Drawing Sheets



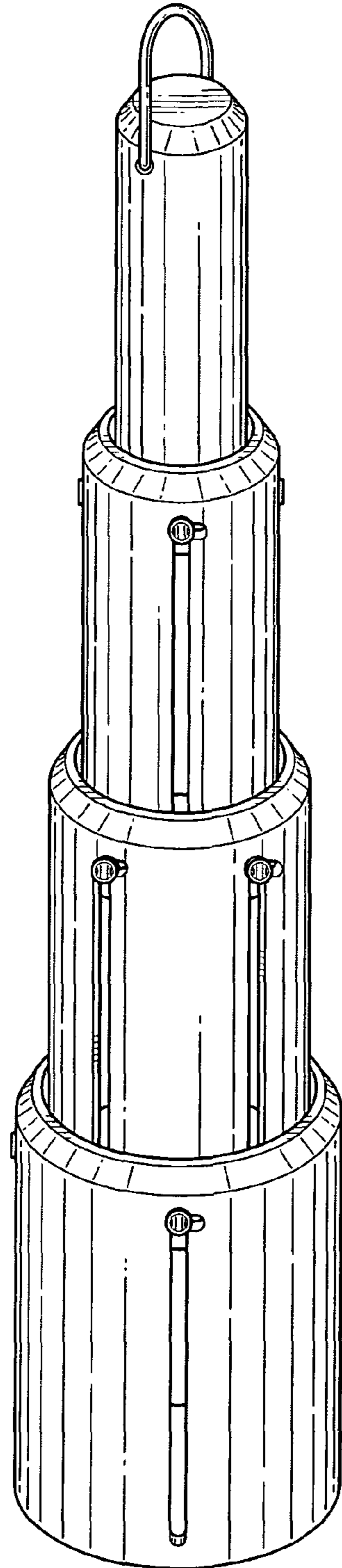


FIG. 1

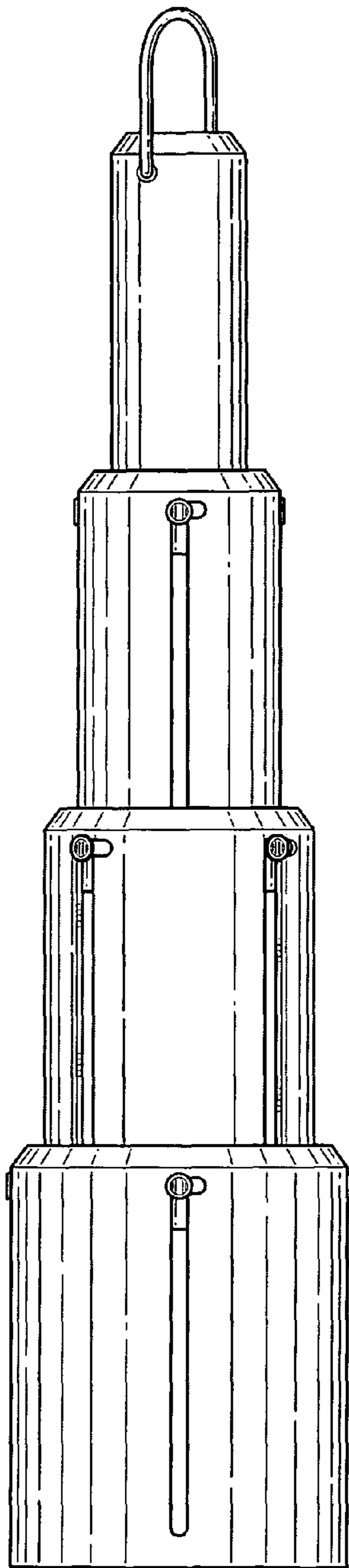


FIG. 2

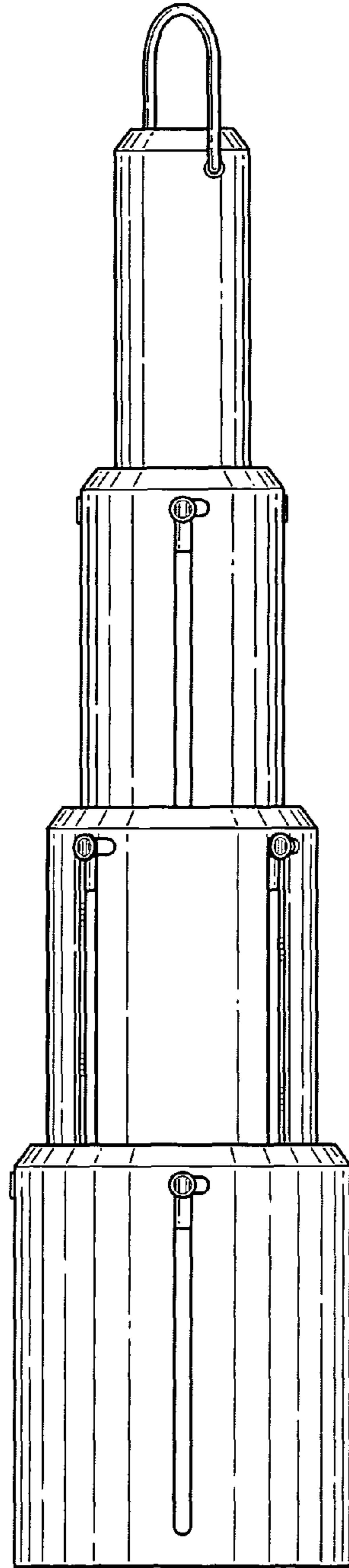


FIG. 3

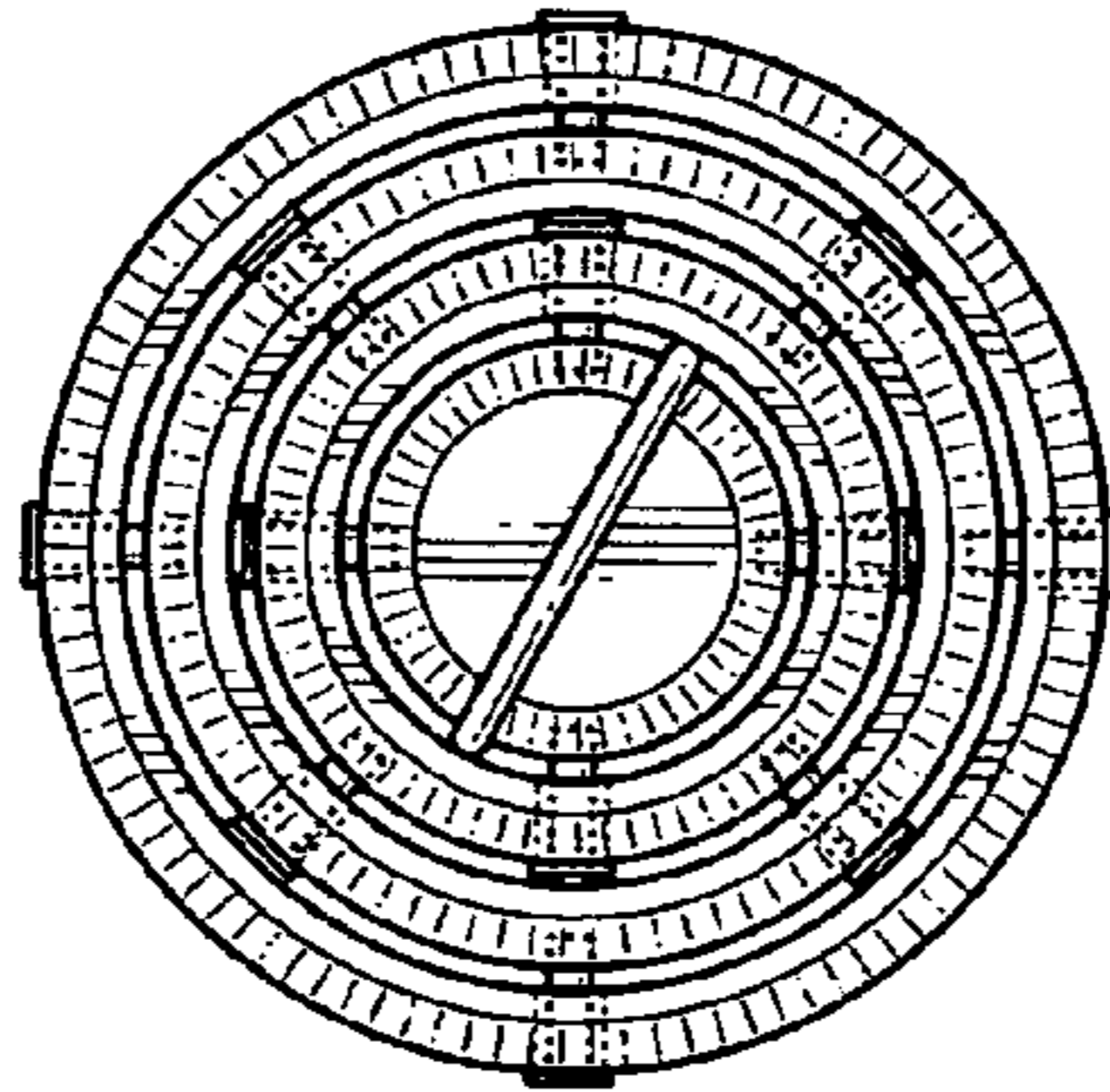


FIG. 4

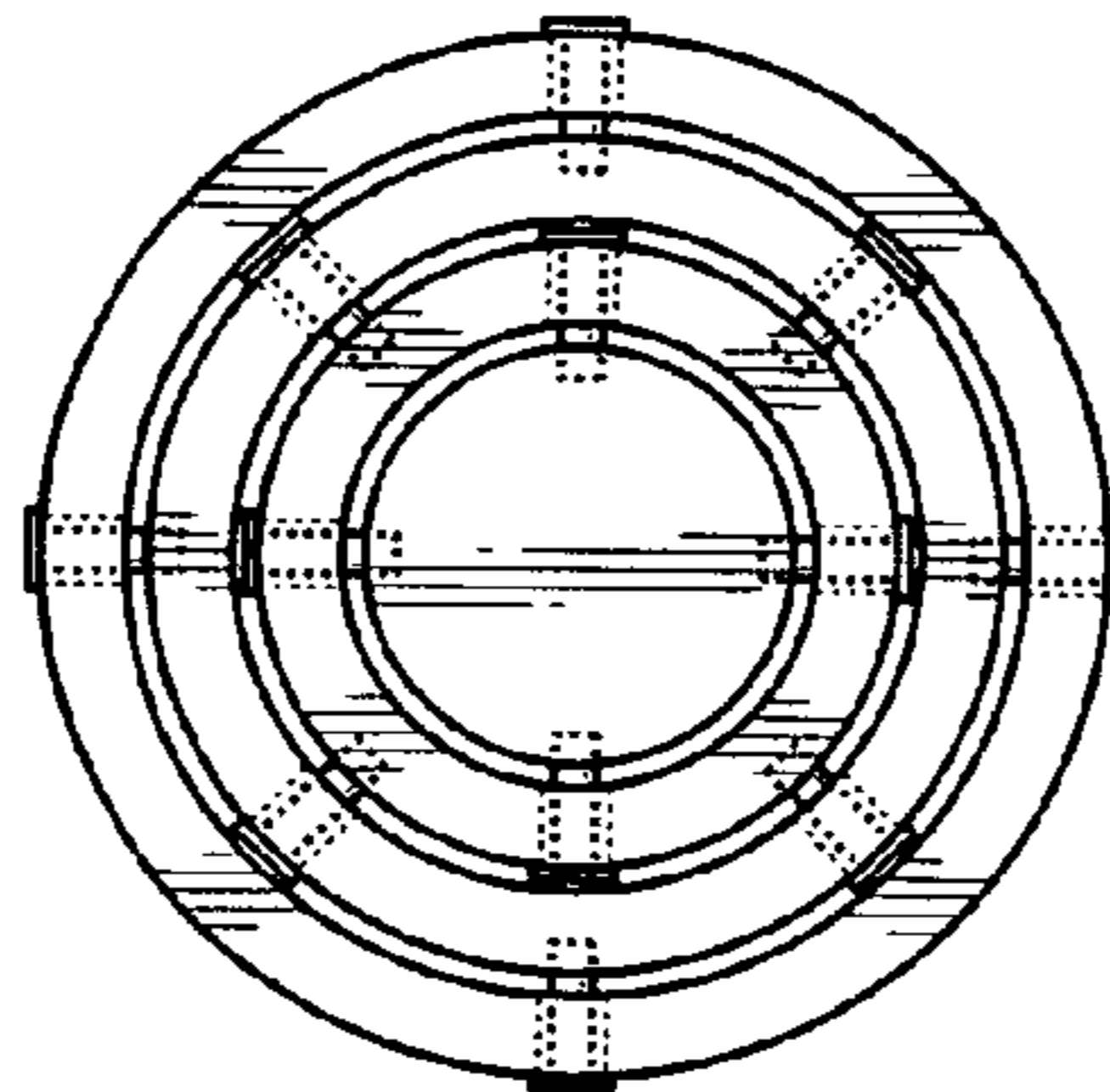


FIG. 5

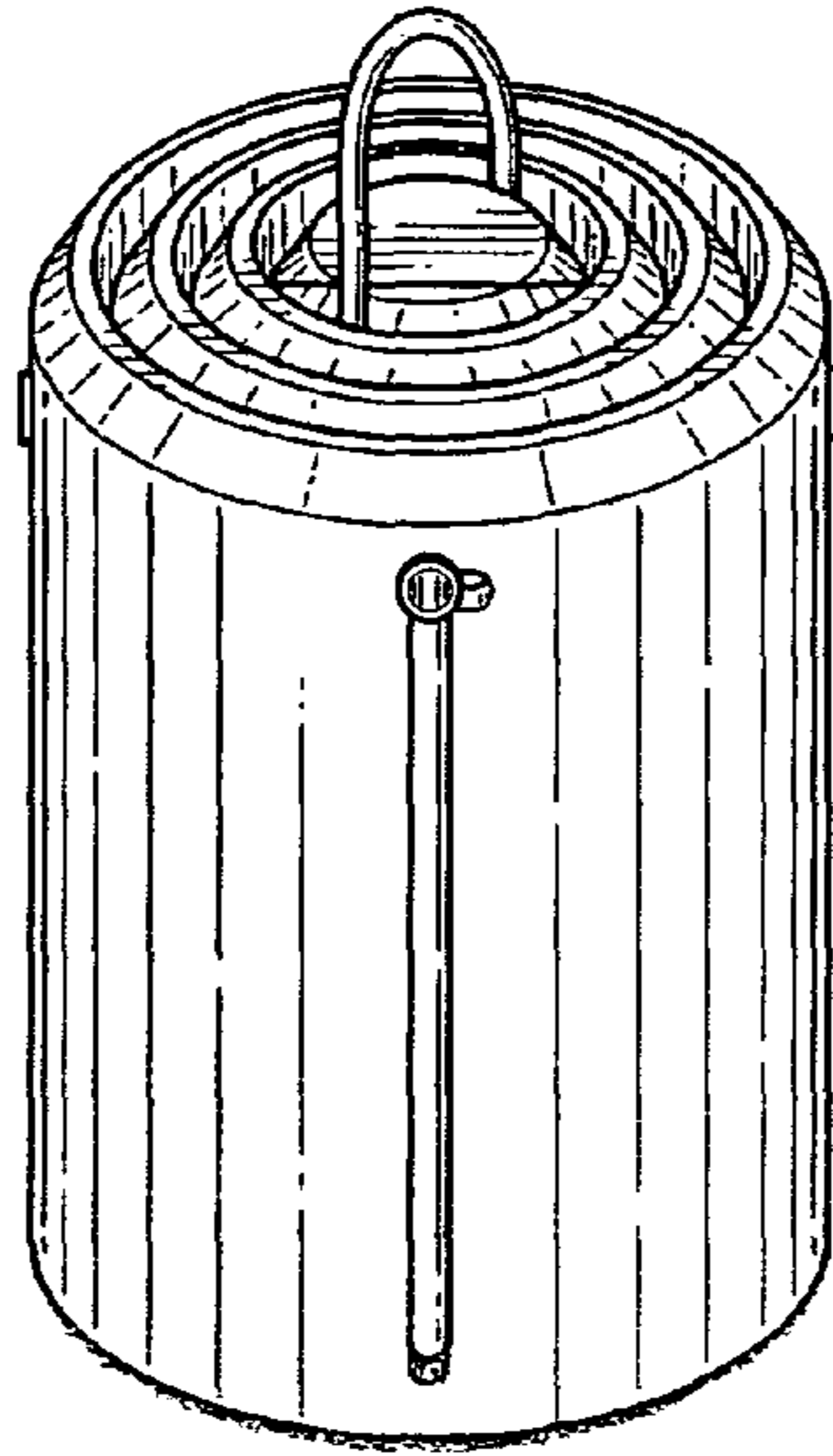


FIG. 6

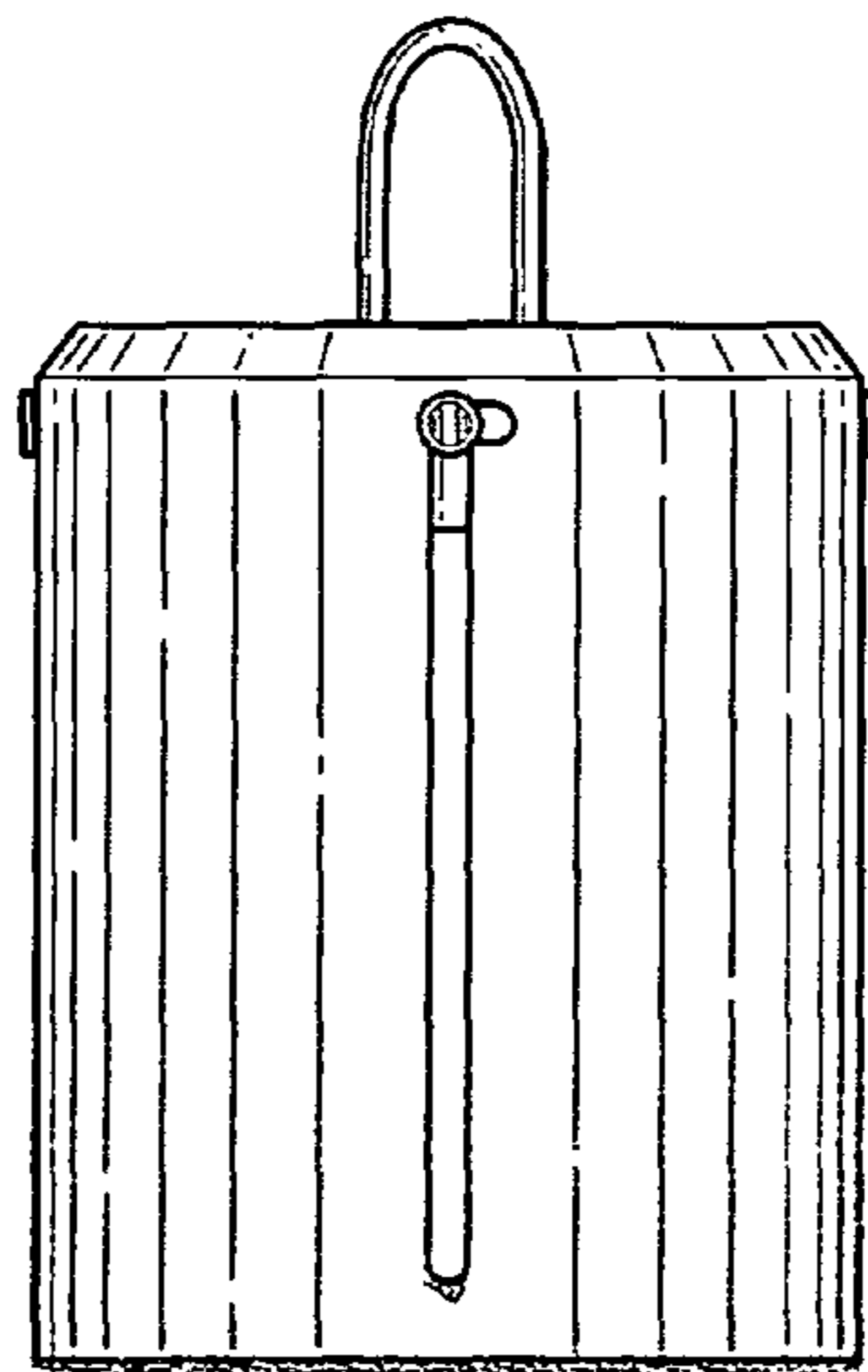


FIG. 7