



US00D669939S

(12) **United States Design Patent**
Fujino et al.

(10) **Patent No.:** **US D669,939 S**
(45) **Date of Patent:** **** Oct. 30, 2012**

(54) **PORTABLE ELECTRONIC COMPUTER**

(75) Inventors: **Takaki Fujino**, Kyoto (JP); **Masaki Amano**, Kyoto (JP); **Kochi Kawai**, Kyoto (JP); **Satoshi Ishibashi**, Kyoto (JP)

(73) Assignee: **Nintendo Co., Ltd.**, Kyoto (JP)

(**) Term: **14 Years**

(21) Appl. No.: **29/411,552**

(22) Filed: **Jan. 23, 2012**

Related U.S. Application Data

(63) Continuation of application No. 29/360,417, filed on Apr. 26, 2010, now abandoned.

(51) **LOC (9) Cl.** **21-01**

(52) **U.S. Cl.** **D21/330**

(58) **Field of Classification Search** D21/324-333, D21/369, 385; 273/148 B, 148 R, 461; D14/495, D14/338, 339, 348, 356, 432, 433, 471, 474, D14/137, 160, 168, 188-181, 219, 265, 257; 345/156-161, 1.1; 455/344-351; 369/6-12; 463/1, 29-35, 46, 47; 16/321, 337; 248/176.1, 248/915, 921; 285/188, 231-234, 304, 330
See application file for complete search history.

(56) **References Cited**

U.S. PATENT DOCUMENTS

D275,971 S * 10/1984 Yokoi D21/330
(Continued)

OTHER PUBLICATIONS

Japanese Nintendo DSi Internet article dated Nov. 1, 2008; <http://www.nintendo.co.jp/ds/series/dsi/index.html>; 2 pages. (circle for camera, an image of the rear surface).

(Continued)

Primary Examiner — Prabhakar Deshmukh

(74) *Attorney, Agent, or Firm* — Nixon & Vanderhye, P.C.

(57) **CLAIM**

The ornamental design for a portable electronic computer, as shown and described.

DESCRIPTION

FIG. 1 is front, bottom and right perspective view of a portable electronic computer showing our new design, a lid with display being opened;

FIG. 2 is rear, top and left perspective view thereof, the lid with display being opened;

FIG. 3 is a front view thereof, the lid with display being opened;

FIG. 4 is a rear view thereof, the lid with display being opened;

FIG. 5 is a top plan view thereof, the lid with display being opened;

FIG. 6 is a bottom plan view thereof, the lid with display being opened;

FIG. 7 is a left side view thereof, the lid with display being opened;

FIG. 8 is a right side view thereof, the lid with display being opened;

FIG. 9 is a front, bottom and right perspective view of thereof, the lid with display being closed;

FIG. 10 is a front view thereof, the lid with display being closed;

FIG. 11 is a rear view thereof, the lid with display being closed;

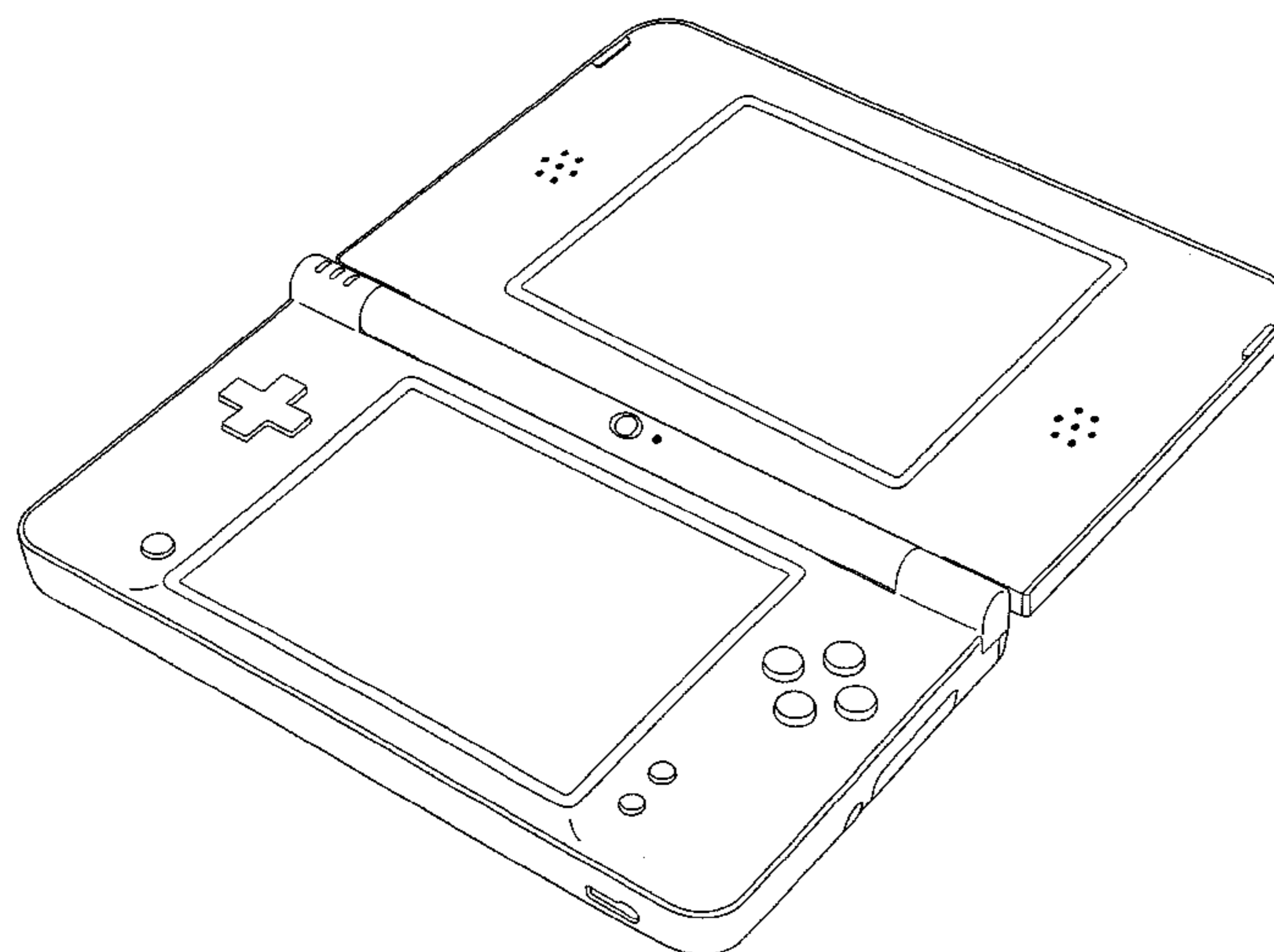
FIG. 12 is a top plan view thereof, the lid with display being closed;

FIG. 13 is a bottom plan view thereof, the lid with display being closed;

FIG. 14 is a left side view thereof, the lid with display being closed; and,

FIG. 15 is a right side view thereof, the lid with display being closed.

1 Claim, 8 Drawing Sheets



US D669,939 S

Page 2

U.S. PATENT DOCUMENTS

D333,493 S * 2/1993 Sato D21/330
D378,686 S * 4/1997 Proctor et al. D19/60
6,400,351 B1 * 6/2002 Ishizawa et al. 345/156
6,498,721 B1 * 12/2002 Kim 361/679.06
D484,918 S * 1/2004 Okada et al. D21/330
D494,190 S * 8/2004 Hong et al. D14/501
6,850,407 B2 * 2/2005 Tanimoto et al. 361/679.27
6,958,902 B2 * 10/2005 Tseng et al. 361/679.06
D532,051 S * 11/2006 Sugino et al. D21/330
D554,194 S * 10/2007 Ehara et al. D21/330
D607,946 S 1/2010 Ehara et al.

OTHER PUBLICATIONS

Compilation of pages from Oct. 2, 2008 on website http://wayback.archive.org/web/20080101000000*/http://www.nintendo_co.jp/ds/dsi.html relating to Nintendo DSi.
U.S. Appl. No. 29/334,360, filed Mar. 25, 2009 (pending).
* cited by examiner

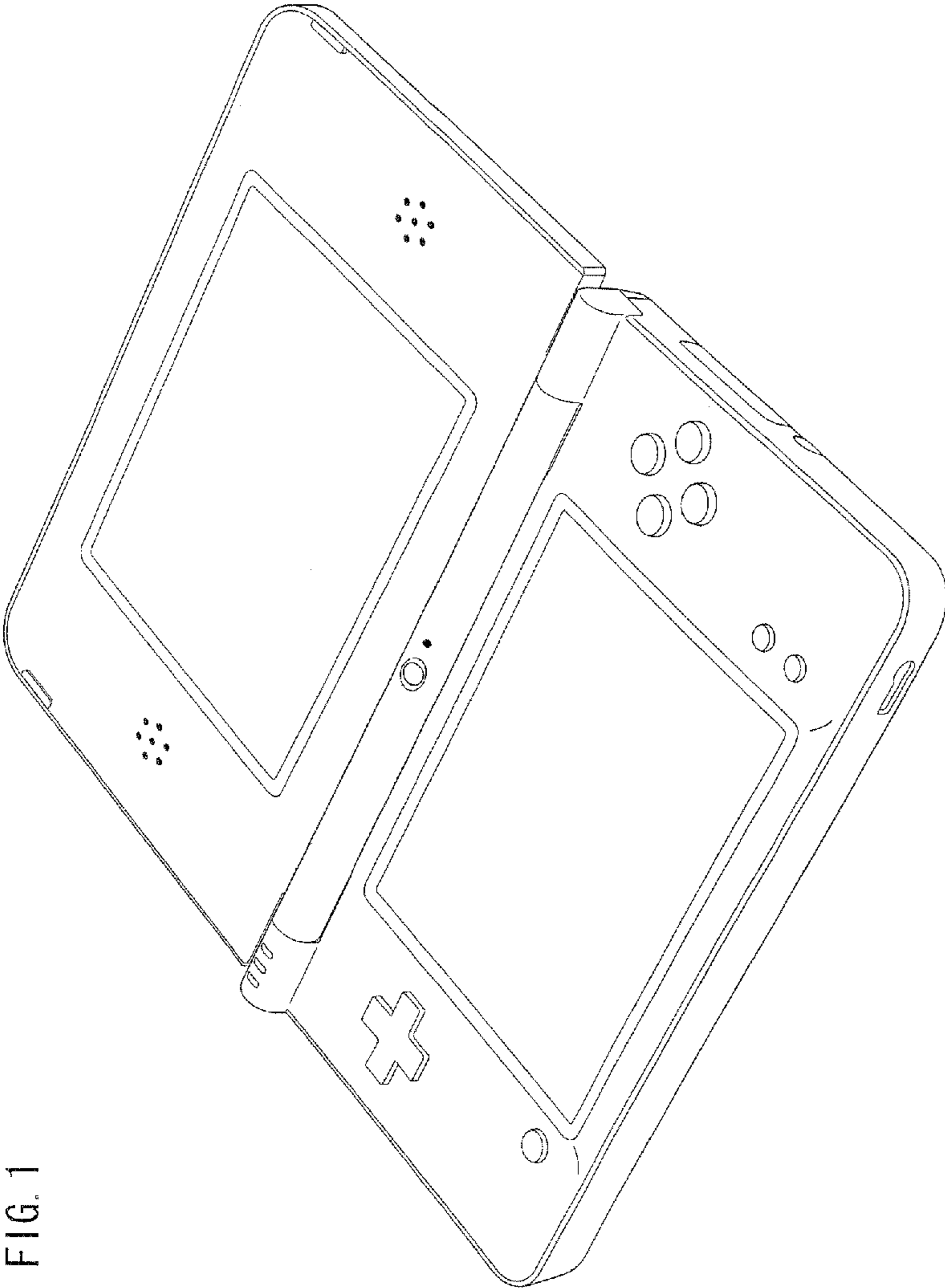


FIG. 1

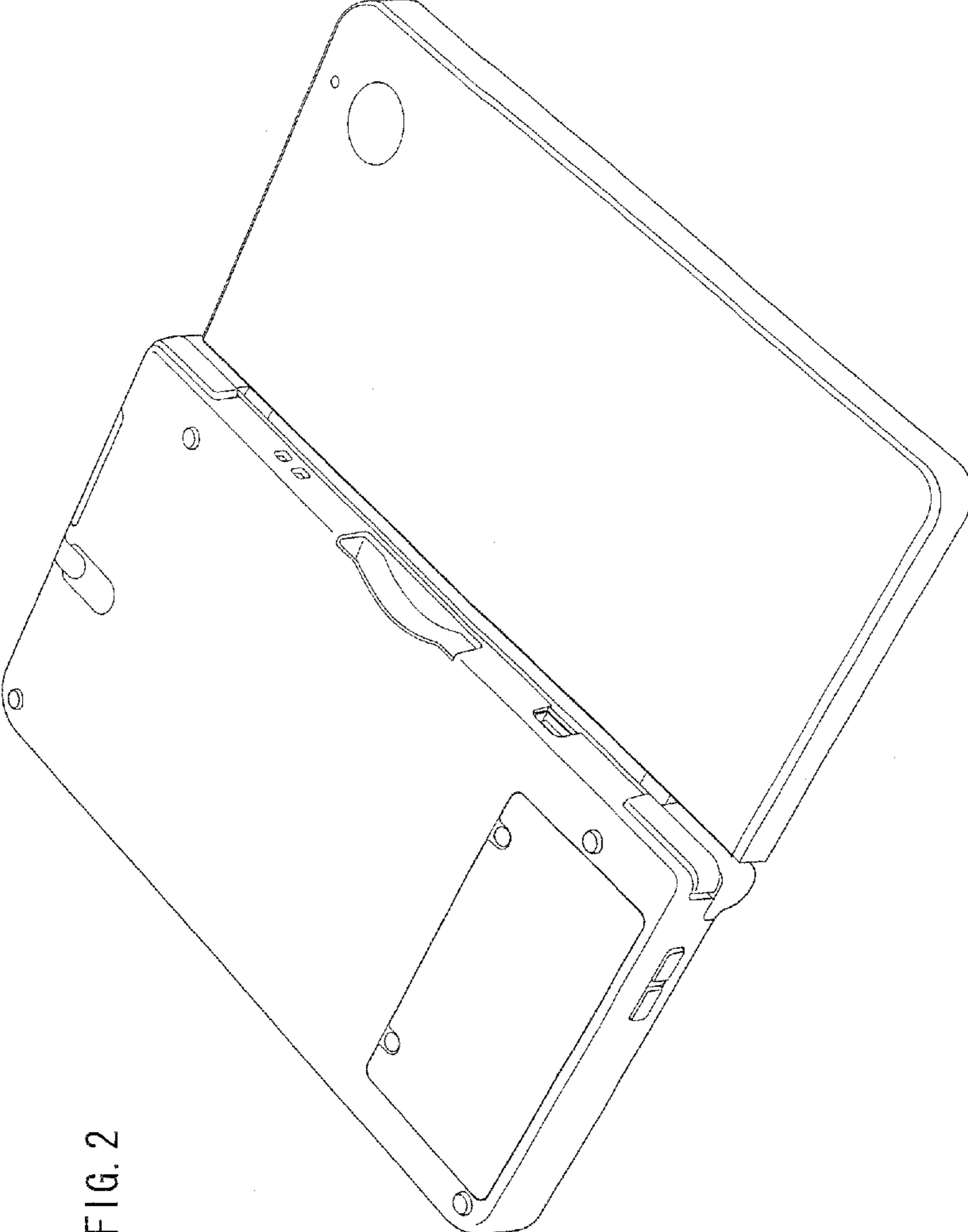


FIG. 2

FIG. 3

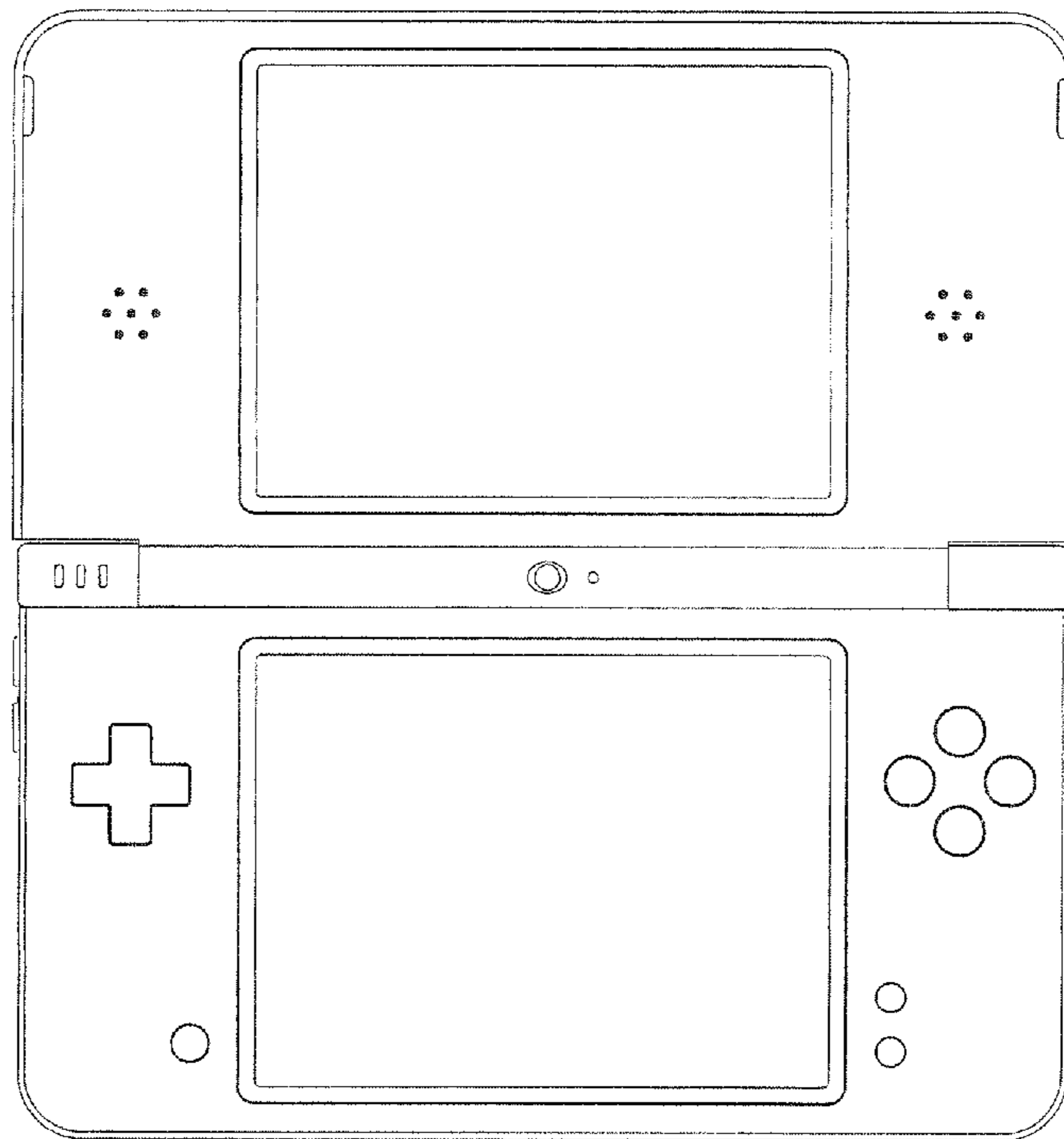


FIG. 4

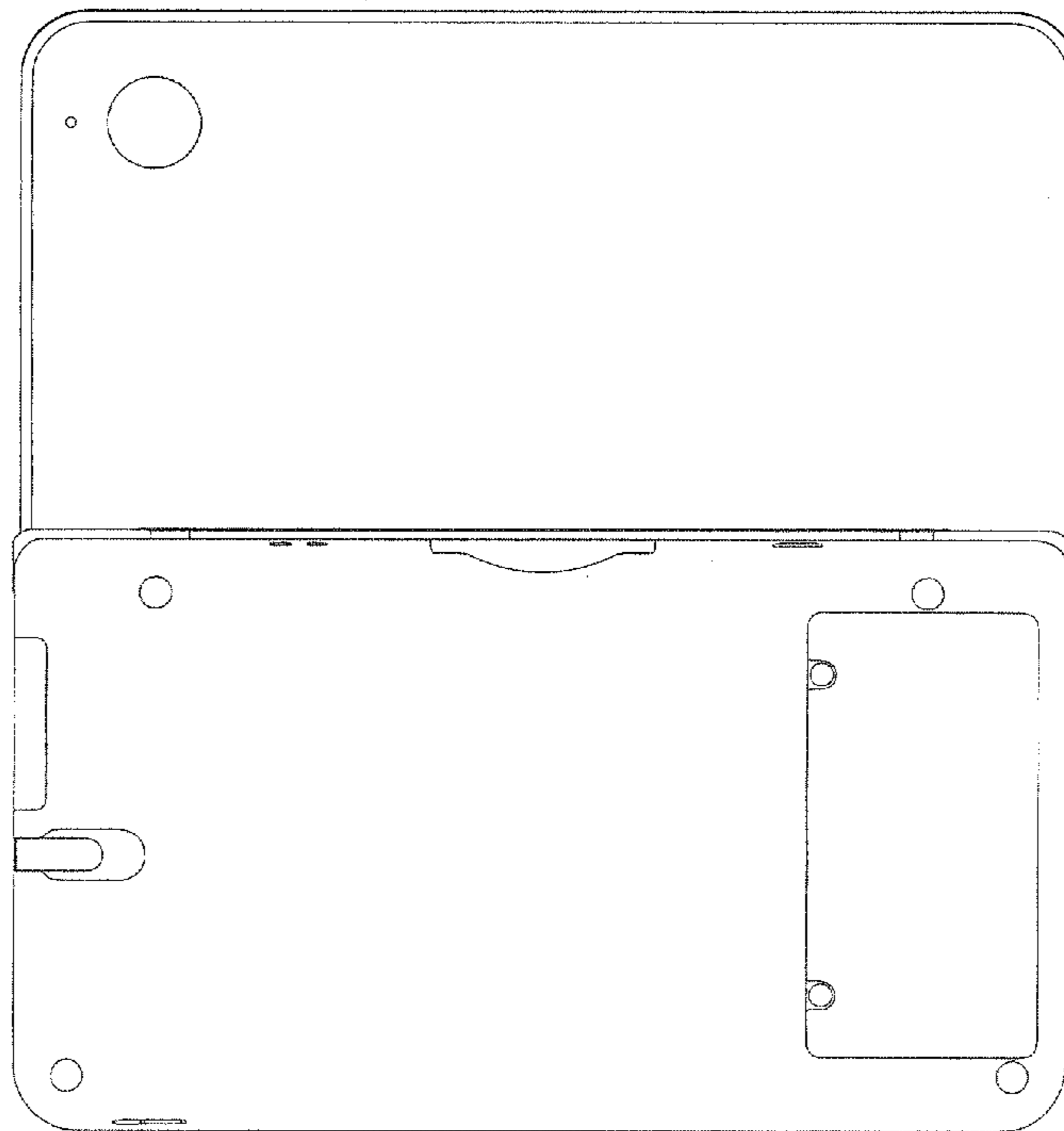


FIG. 5

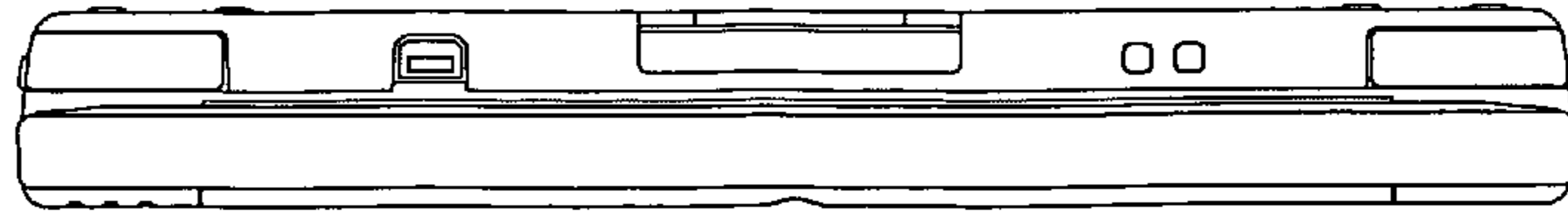


FIG. 6

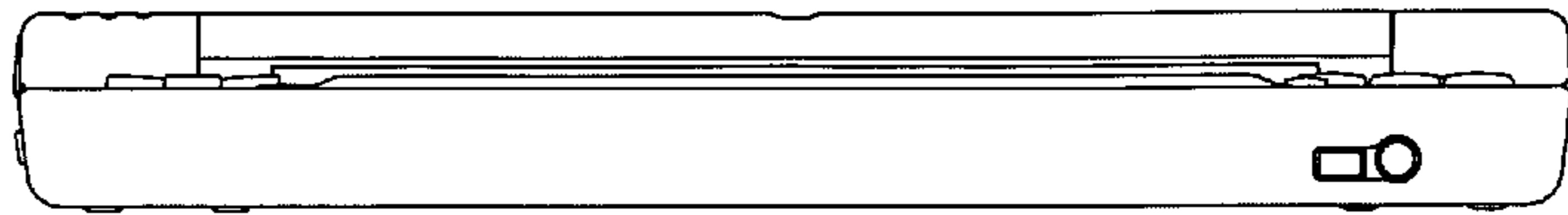


FIG. 7

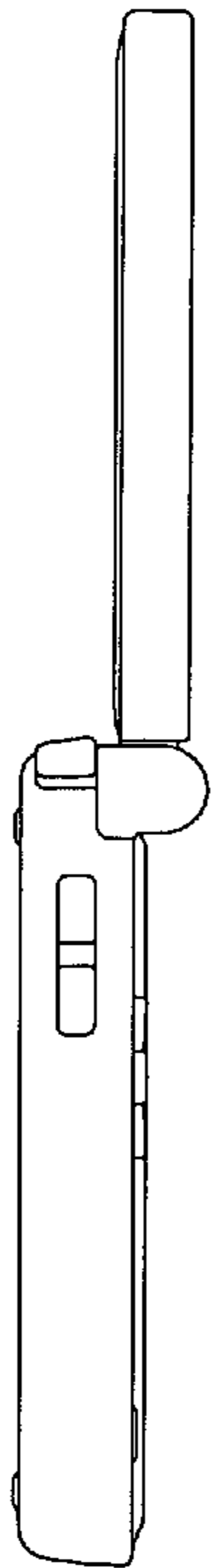


FIG. 8

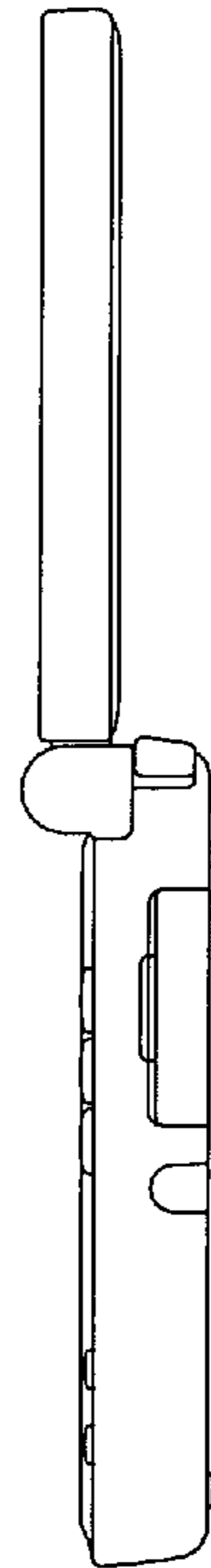


FIG. 9

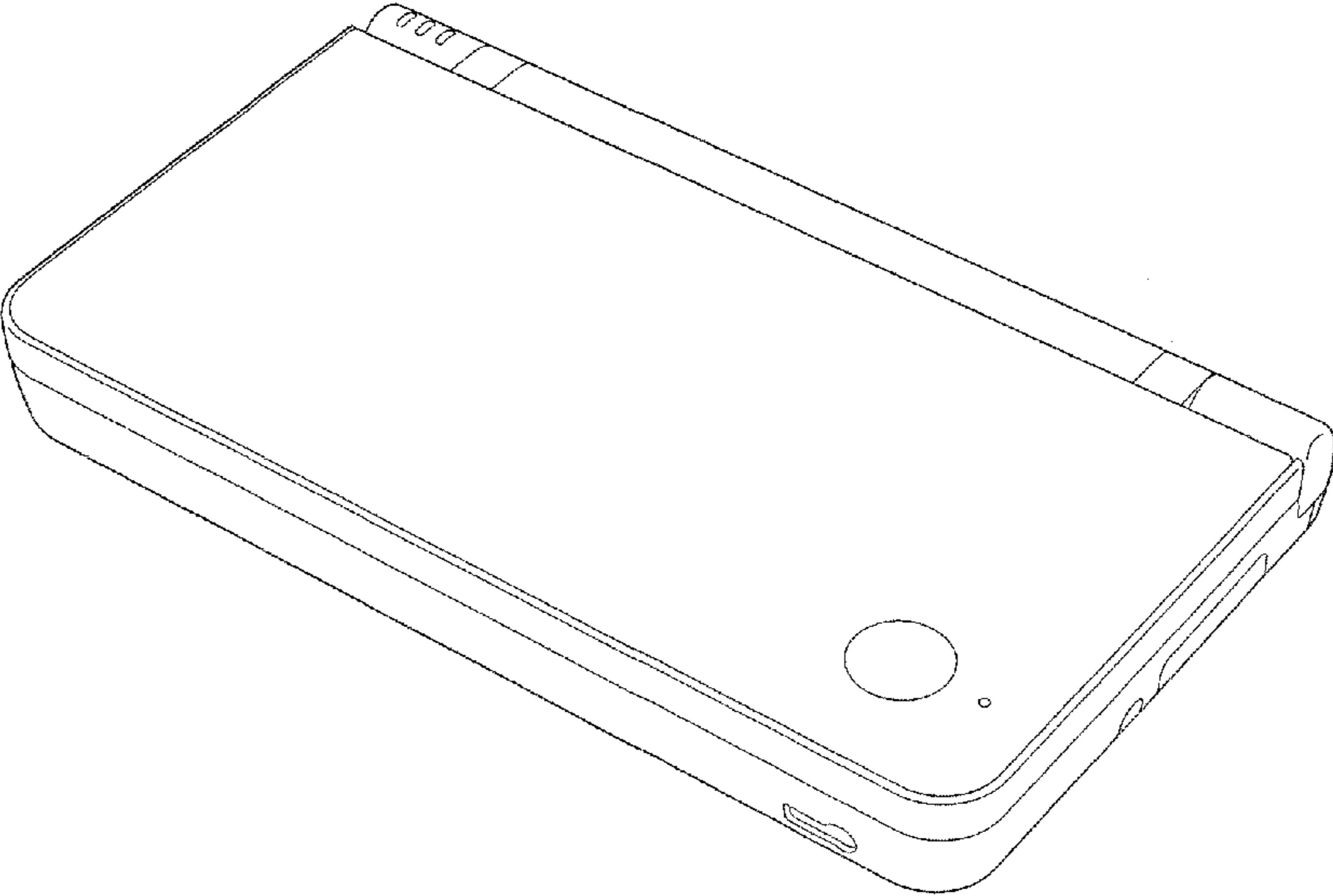


FIG. 10

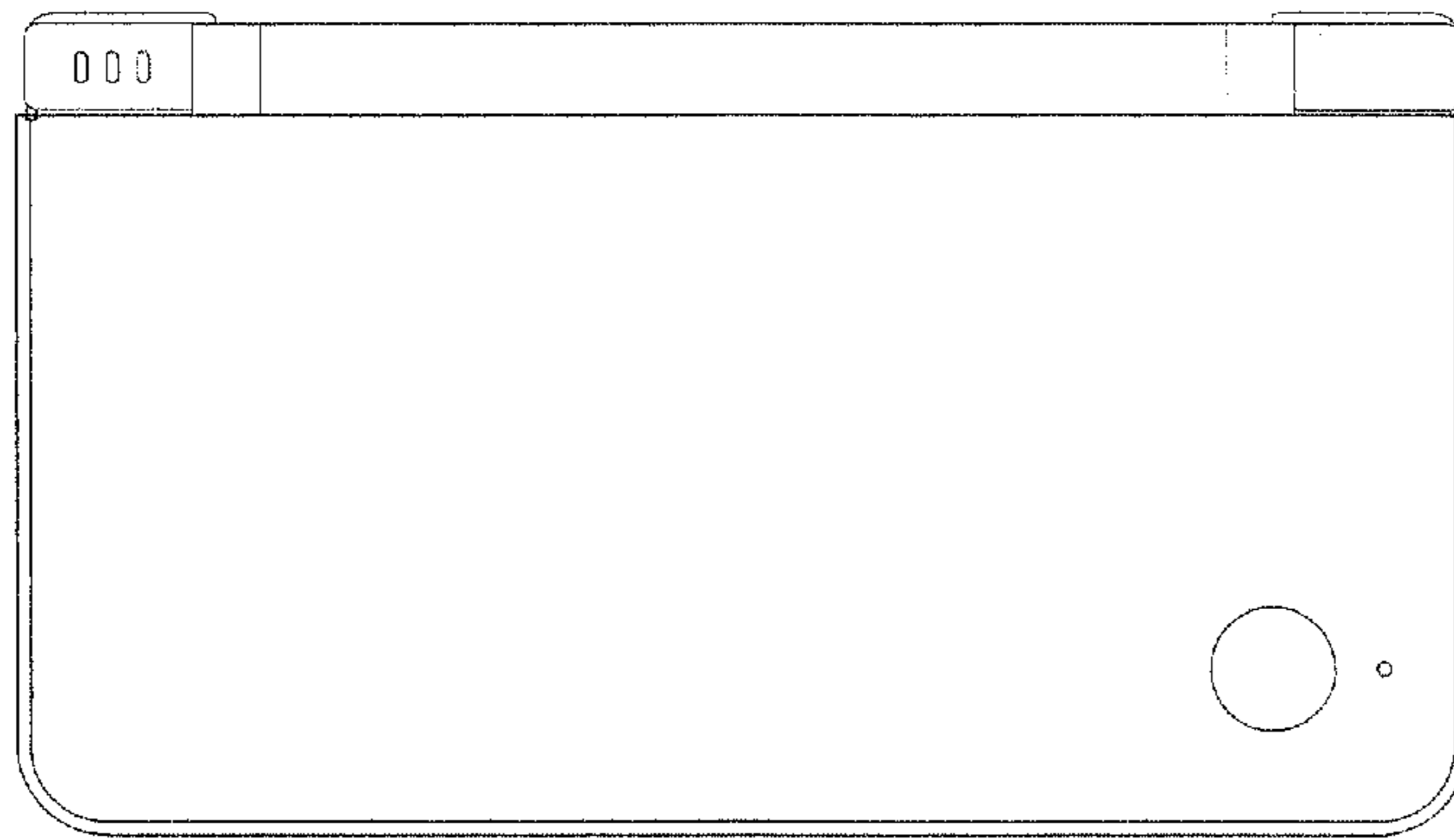


FIG. 11

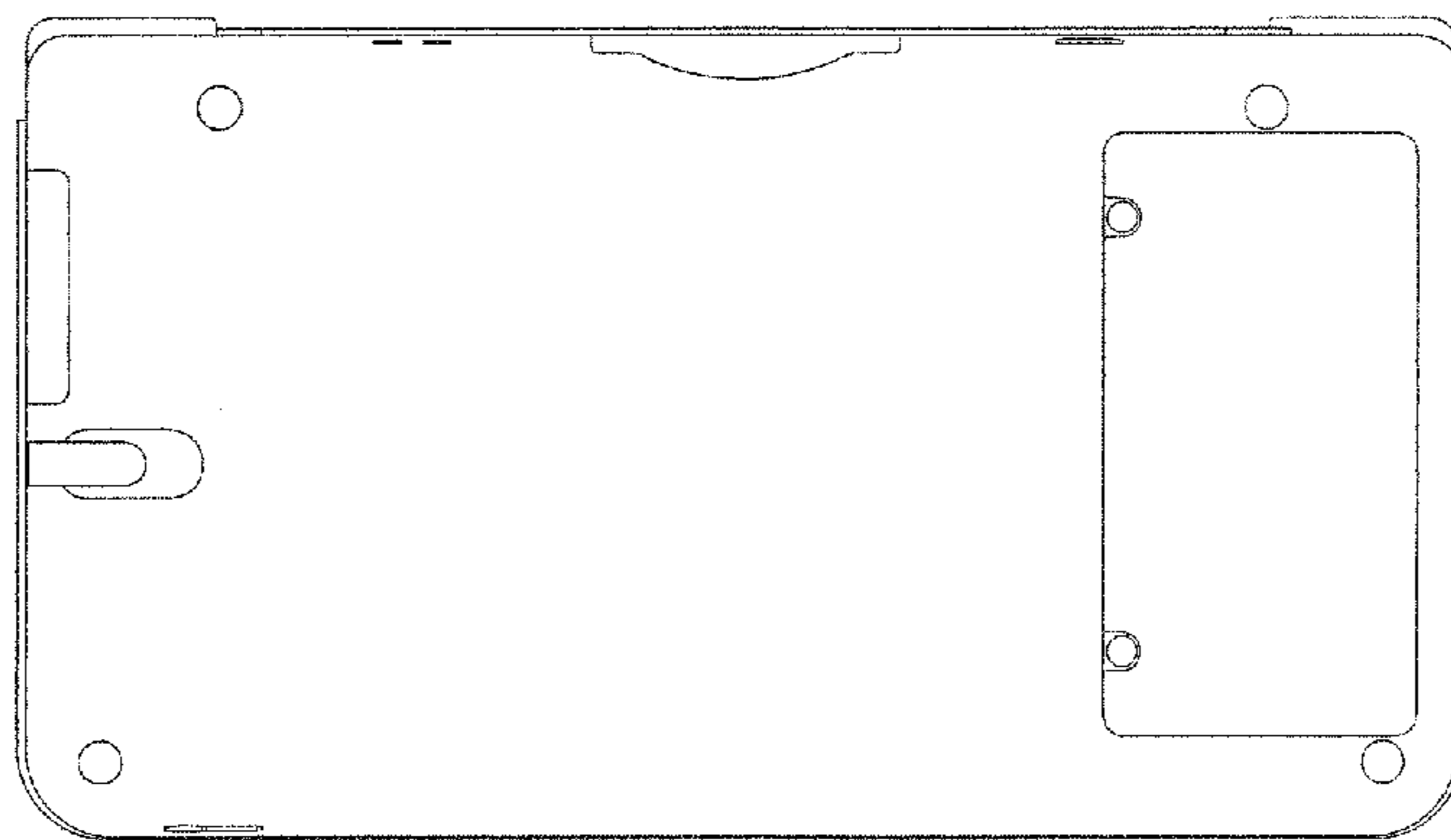


FIG. 12

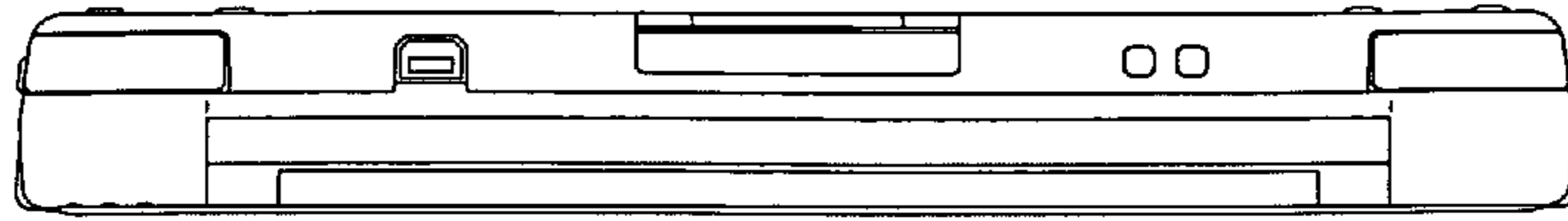


FIG. 13

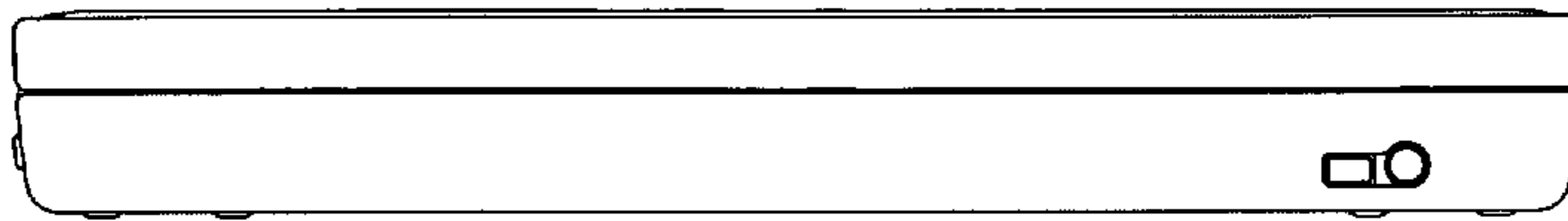


FIG. 14

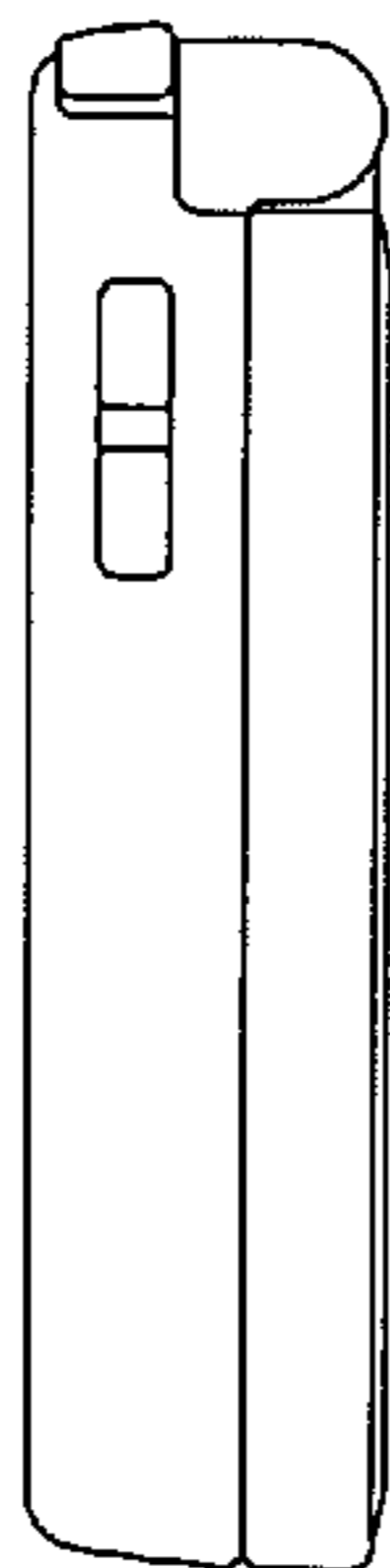


FIG. 15

