



US00D669938S

(12) **United States Design Patent**
Lard et al.

(10) **Patent No.:** **US D669,938 S**
(45) **Date of Patent:** **** Oct. 30, 2012**

(54) **VEHICLE MOUNTED DISPLAY**
(75) Inventors: **Jared Lard**, Charlotte, NC (US);
Nicolas Ochoa, Brooklyn, NY (US);
Anthony John Baxter, Upper Montclair,
NJ (US); **Alberto Mantilla**, Rego Park,
NY (US); **Paul M. Elhardt**, Charlotte,
NC (US); **Lucas Wade**, Brooklyn, NY
(US)

(73) Assignee: **Verifone, Inc.**, San Jose, CA (US)

(**) Term: **14 Years**

(21) Appl. No.: **29/408,505**

(22) Filed: **Dec. 13, 2011**

(51) **LOC (9) Cl.** **20-03**

(52) **U.S. Cl.** **D20/10**

(58) **Field of Classification Search** D20/10,
D20/17, 19, 29, 39, 41, 42, 99; 40/446, 538,
40/541, 542, 544, 548, 553, 559, 564, 568,
40/575, 584, 586, 588-593, 617, 618; D26/31;
362/812

See application file for complete search history.

(56) **References Cited**

U.S. PATENT DOCUMENTS

D110,590 S * 7/1938 Sperry D20/42
D155,328 S * 9/1949 Baker D20/42

D161,735 S * 1/1951 Chapman D20/42
D162,637 S * 3/1951 Ernst D20/42
D205,209 S * 7/1966 Priddis D26/31
D320,815 S * 10/1991 Frost D20/17
D326,282 S * 5/1992 Spoljaric D20/10
D343,199 S * 1/1994 Kunzer D20/17
6,240,666 B1 * 6/2001 Apel et al. 40/610
D454,372 S * 3/2002 Whittier et al. D20/10
D635,614 S * 4/2011 Yan D20/10
2010/0043264 A1 * 2/2010 Johnson, Jr. 40/559

* cited by examiner

Primary Examiner — Mary Ann Calabrese

(74) *Attorney, Agent, or Firm* — Sughrue Mion, PLLC

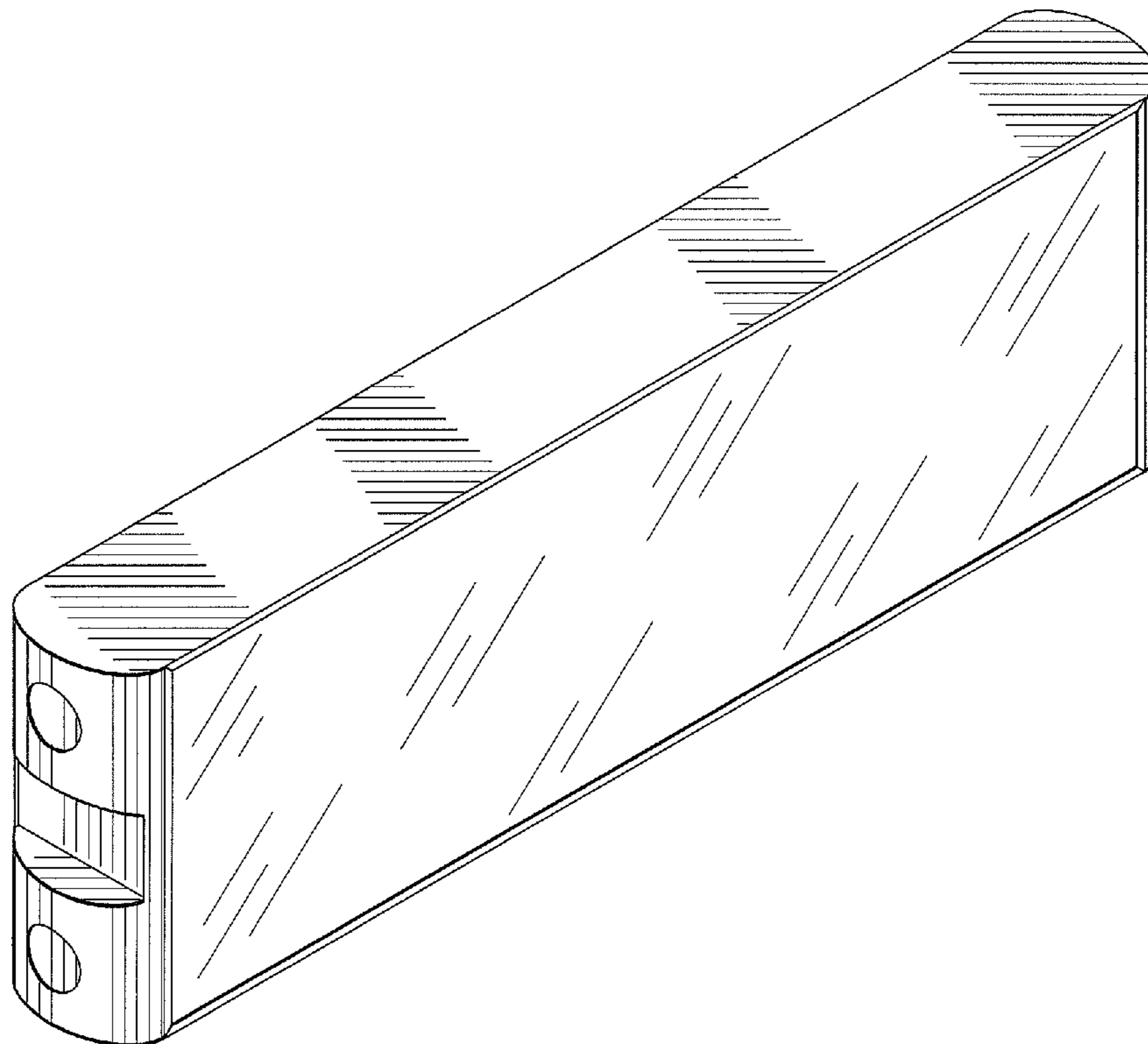
(57) **CLAIM**

The ornamental design for a vehicle mounted display, as shown and described.

DESCRIPTION

FIG. 1 is a front perspective view of the vehicle mounted display;
FIG. 2 is a rear perspective view thereof;
FIG. 3 is a reduced scale top view thereof;
FIG. 4 is a bottom view thereof;
FIG. 5 is an enlarged front view thereof;
FIG. 6 is a rear view thereof;
FIG. 7 is a left side view thereof; and,
FIG. 8 is a right side view thereof.

1 Claim, 5 Drawing Sheets



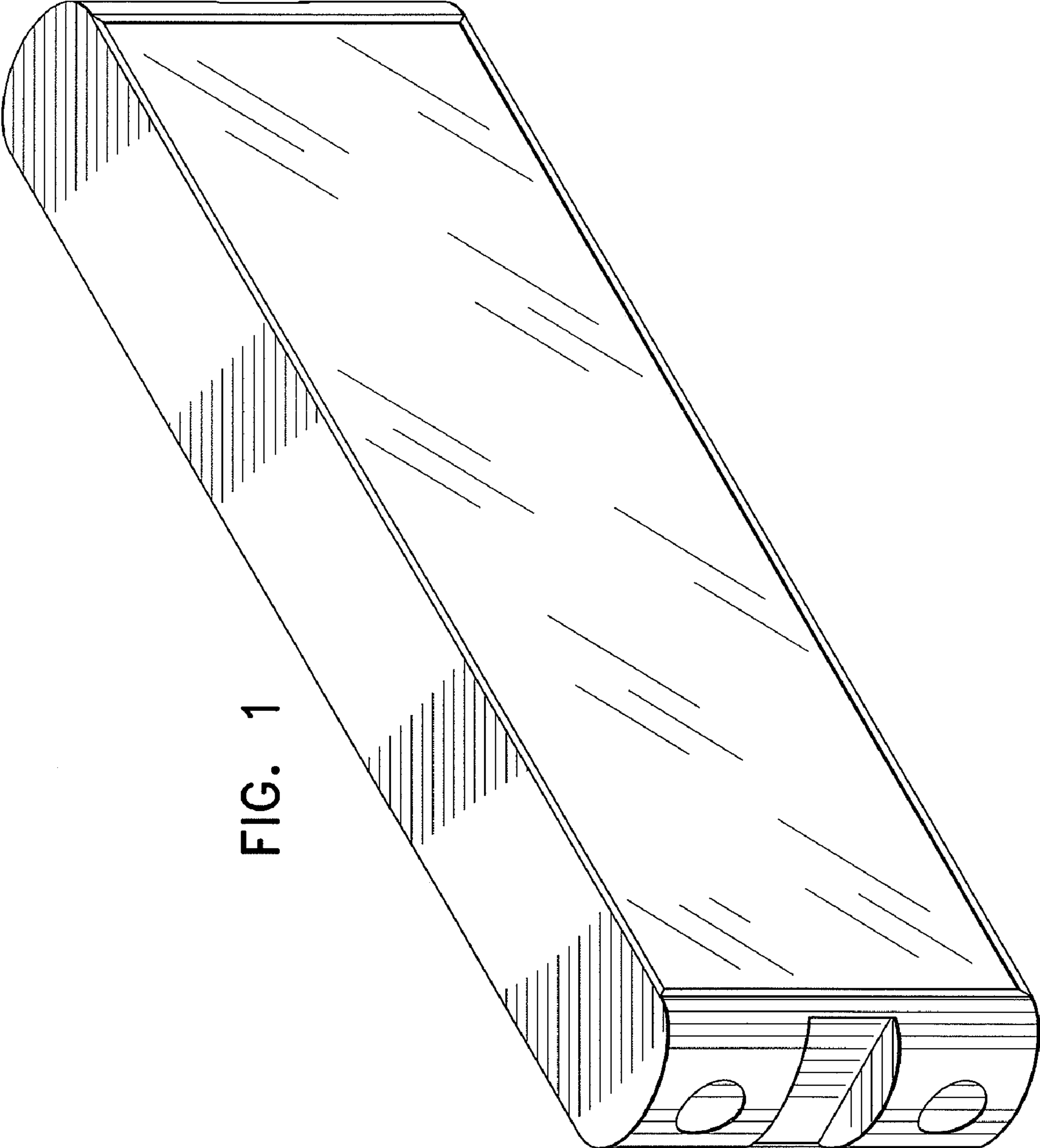


FIG. 1

FIG. 2

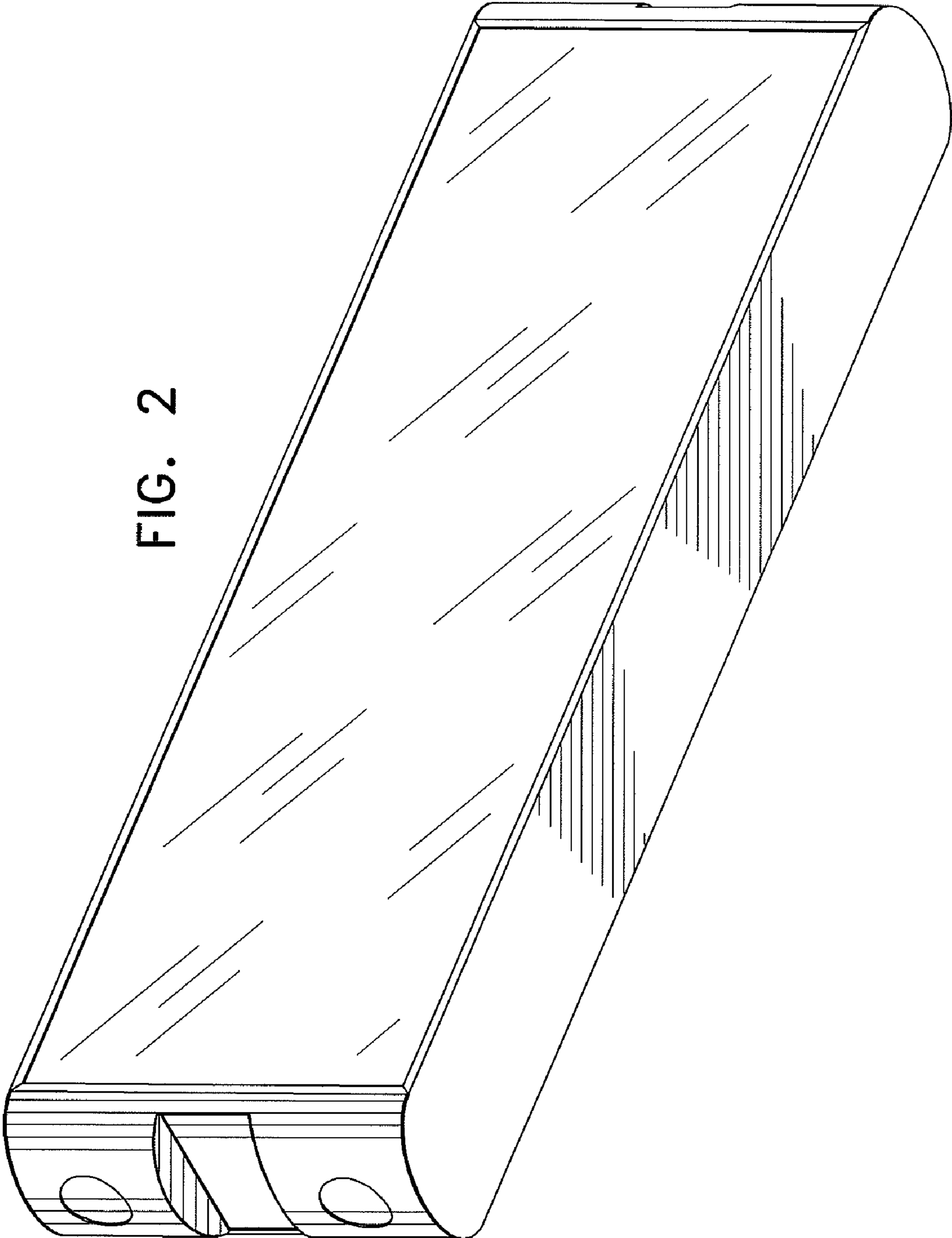


FIG. 3

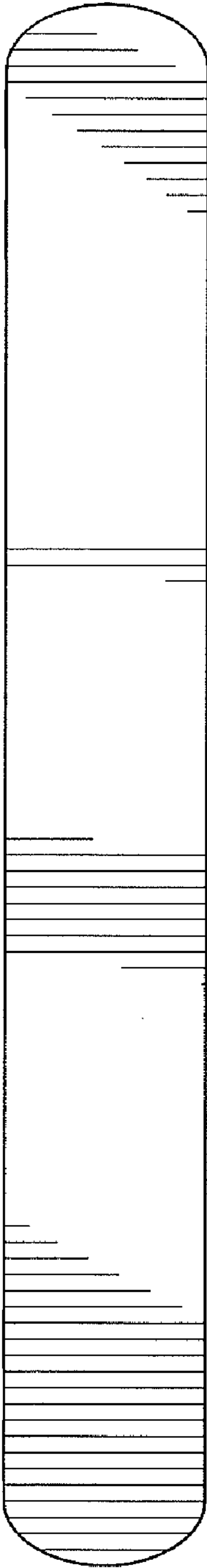


FIG. 4

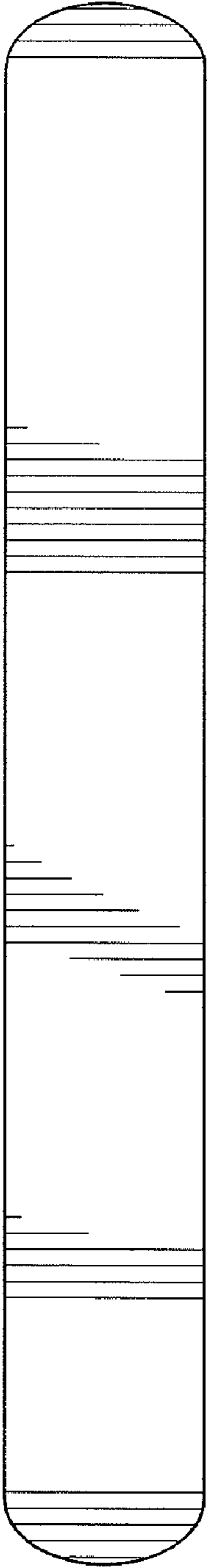


FIG. 5

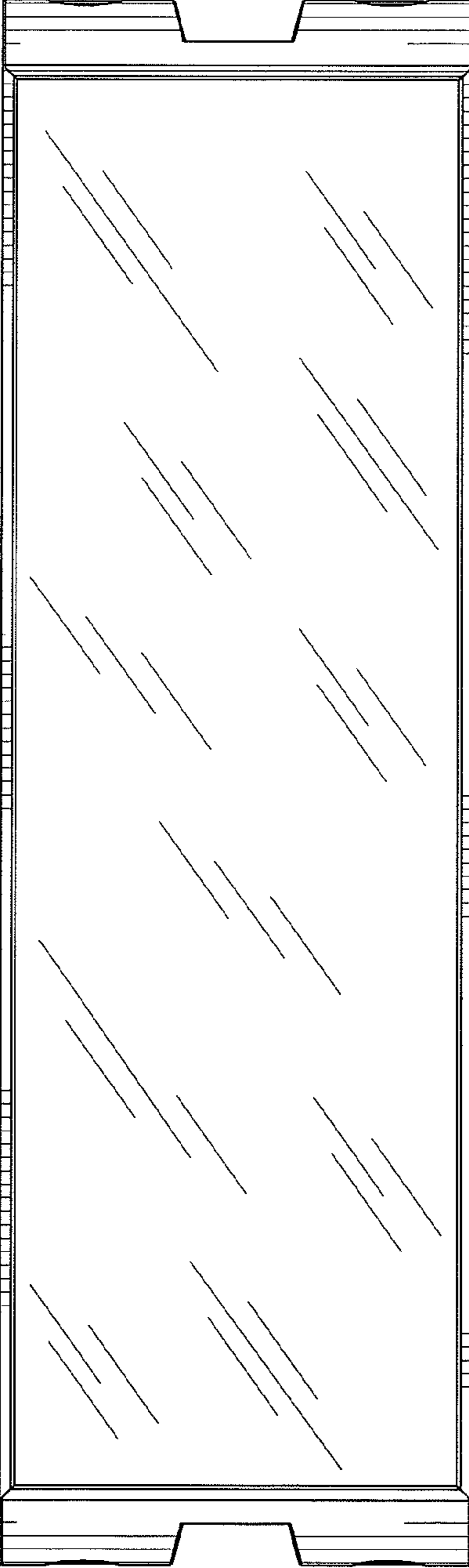


FIG. 6

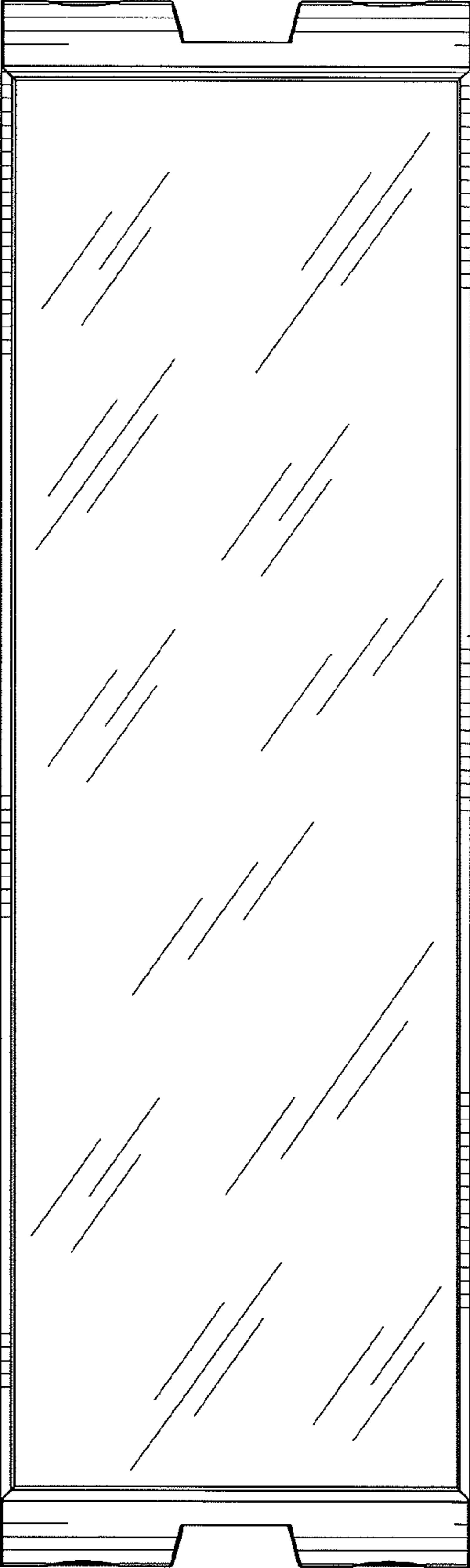


FIG. 8

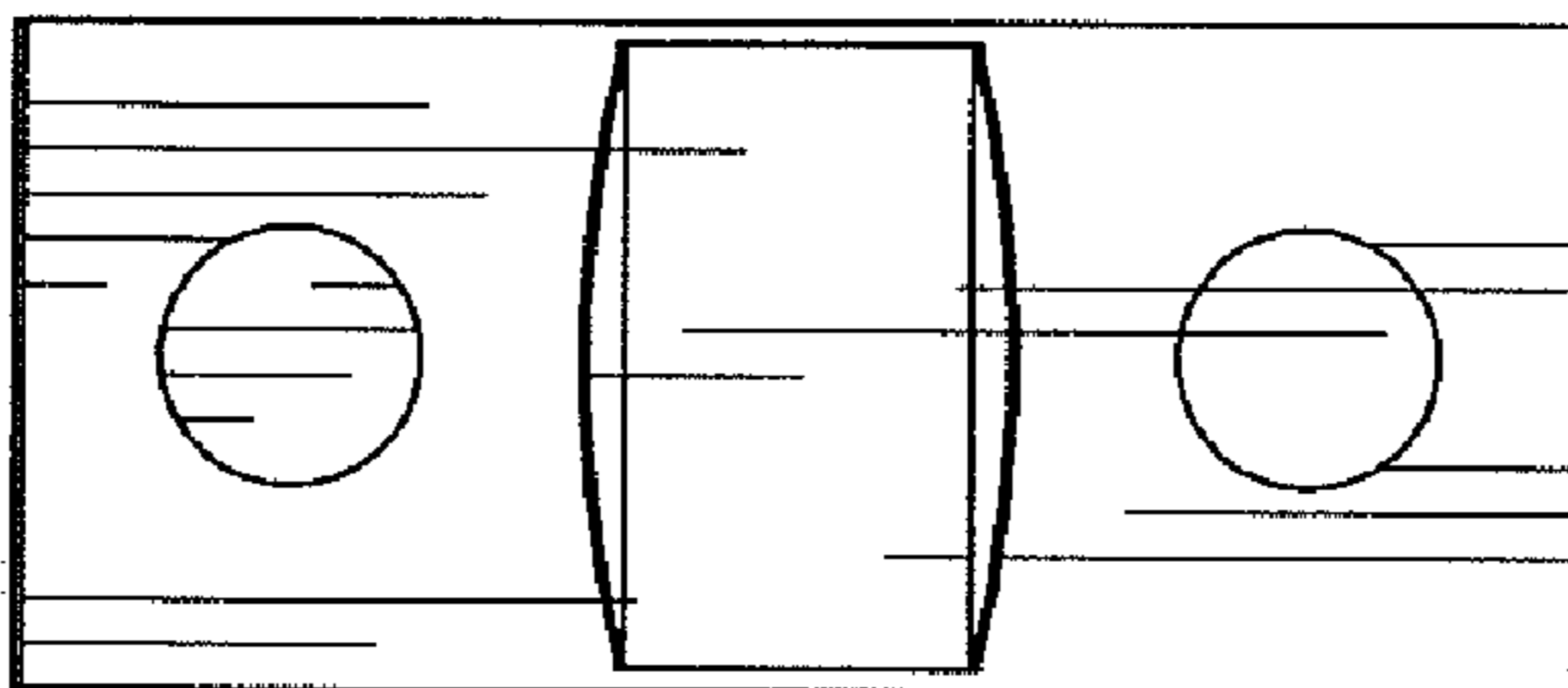


FIG. 7

