



US00D669937S

(12) **United States Design Patent**  
**Lira-Nunez et al.**

(10) **Patent No.:** **US D669,937 S**  
(45) **Date of Patent:** **\*\* Oct. 30, 2012**

(54) **ERASER AND MARKER HOLDER**  
(75) Inventors: **Carmen Okuku Lira-Nunez**, Downers Grove, IL (US); **Allison Rose Dunphy**, Cincinnati, OH (US); **Katherine Joan Radville**, La Grange Park, IL (US)

D320,547 S 10/1991 Georgopoulos ..... D08/396  
D359,309 S 6/1995 Bracken ..... D19/83  
5,432,973 A 7/1995 Wagner et al. .... 15/210.1  
D398,644 S 9/1998 Krapf ..... D19/53  
5,820,095 A 10/1998 Stone ..... 248/316.7

(Continued)

(73) Assignee: **Sanford, L.P.**, Oak Brook, IL (US)

(\*\*) Term: **14 Years**

(21) Appl. No.: **29/419,945**

(22) Filed: **May 3, 2012**

**Related U.S. Application Data**

(62) Division of application No. 29/391,467, filed on May 9, 2011.

(51) **LOC (9) Cl.** ..... **19-06**

(52) **U.S. Cl.** ..... **D19/77**

(58) **Field of Classification Search** ..... D8/394,  
D8/395, 396; D19/75, 77-85, 99, 100; 24/11 F,  
24/11 P, 11 R, 11 CC, 11 CT; 206/214, 224,  
206/371; 211/69.1-69.9; 248/316.2, 316.7,  
248/346.03

See application file for complete search history.

(56) **References Cited**

**U.S. PATENT DOCUMENTS**

D45,721 S 5/1914 Lee ..... D32/52  
1,477,551 A 12/1923 Eva ..... 24/11 FE  
D101,784 S 11/1936 Kurtz ..... D32/45  
D185,045 S 4/1959 Slaton ..... D10/61  
3,106,994 A 10/1963 Scott ..... 403/231  
3,564,668 A 2/1971 Kirk ..... 281/30  
D221,822 S 9/1971 Kieves ..... D4/137  
4,182,455 A \* 1/1980 Zurawin ..... 211/85.18  
4,852,221 A 8/1989 Antonucci ..... 24/10 R  
D311,421 S \* 10/1990 Mardock ..... D19/55  
D320,229 S 9/1991 Frazier ..... D19/53

**OTHER PUBLICATIONS**

Squeegee-Style dry erase board eraser. Retrieved from the Internet:  
<URL: [http://www.amazon.com/Squeegee-Style-Board-Eraser-TBD3336BDUA24-Category/dp/B001HA9FCG/ref=sr\\_1\\_6?s=office-products&ie=UTF8&qid=1304340875&sr=1-6](http://www.amazon.com/Squeegee-Style-Board-Eraser-TBD3336BDUA24-Category/dp/B001HA9FCG/ref=sr_1_6?s=office-products&ie=UTF8&qid=1304340875&sr=1-6)>. Publicly available before May 9, 2011.

(Continued)

*Primary Examiner* — Elizabeth Albert

(74) *Attorney, Agent, or Firm* — Marshall, Gerstein & Borun LLP

(57) **CLAIM**

The ornamental design for an eraser and marker holder, as shown and described.

**DESCRIPTION**

FIG. 1 is a perspective view showing our new design for a eraser and marker holder;

FIG. 2 is a front view of the eraser and marker holder of FIG. 1, the rear view being a mirror image thereof;

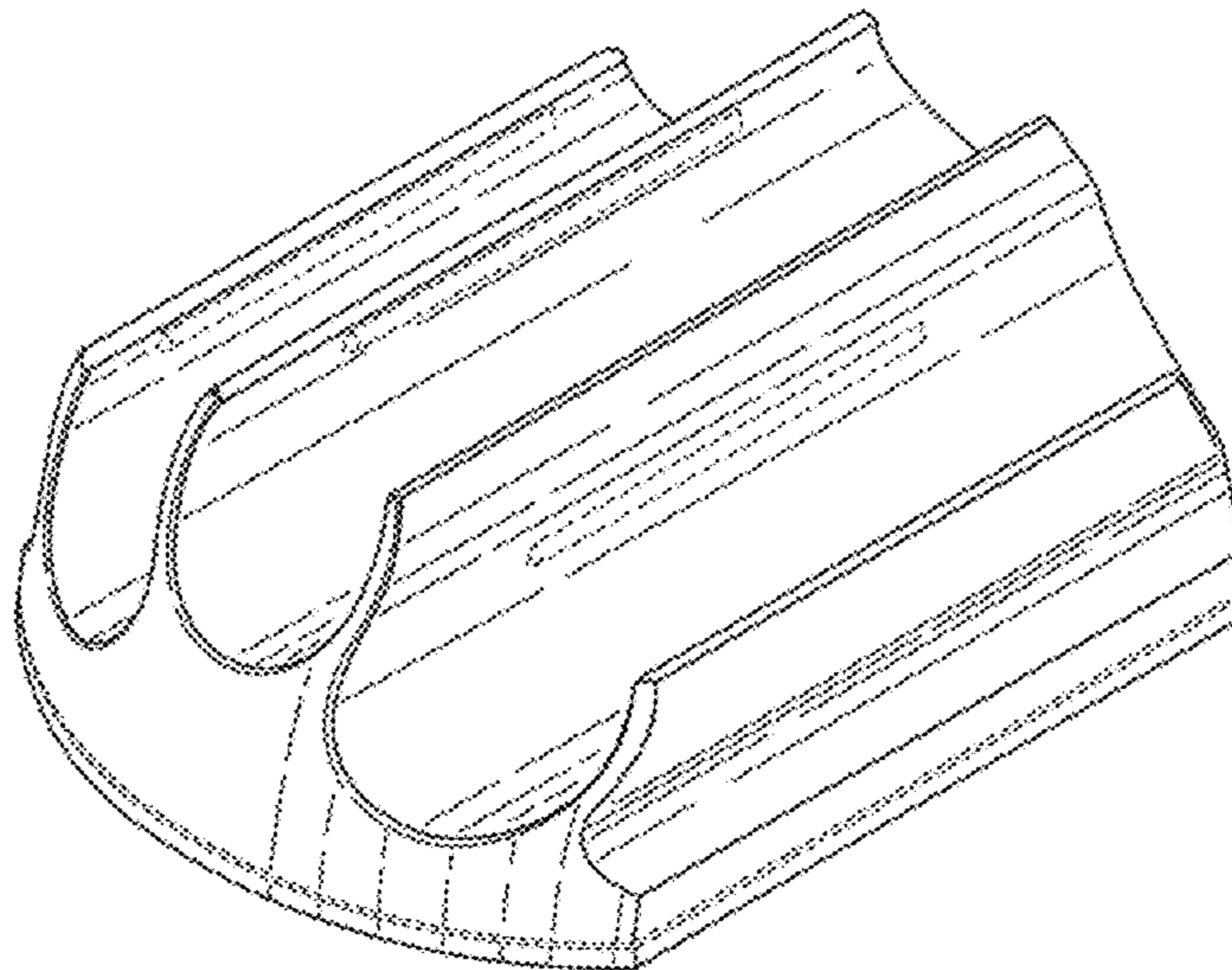
FIG. 3 is a side view of the eraser and marker holder of FIG. 1, the opposite side view being a mirror image thereof;

FIG. 4 is a top plan view of the eraser and marker holder of FIG. 1; and,

FIG. 5 is a bottom plan view of the eraser and marker holder of FIG. 1.

The broken lines showing portions of the eraser and marker holder are included for the purpose of illustrating environment and form no part of the claimed design.

**1 Claim, 2 Drawing Sheets**



U.S. PATENT DOCUMENTS

D445,134	S	7/2001	Leeds .....	D19/84
6,367,115	B1	4/2002	Frazier .....	15/231
6,533,108	B1	3/2003	Ledingham .....	198/847
6,543,615	B2	4/2003	Lake .....	206/371
D476,831	S *	7/2003	Fulmer .....	D6/467
D480,424	S	10/2003	Belton et al. ....	D19/53
D486,523	S	2/2004	Lederer et al. ....	D19/83
D498,376	S *	11/2004	Christopher et al. ....	D6/511
D498,620	S *	11/2004	Christopher et al. ....	D6/511
D502,626	S *	3/2005	Georgiadis et al. ....	D6/629
D517,913	S	3/2006	Mouyos .....	D9/434
D551,713	S	9/2007	Schmidt .....	D19/53
D571,648	S	6/2008	Rieder .....	D8/395
D617,382	S	6/2010	Guirlinger .....	D19/83
D618,993	S	7/2010	Reed .....	D8/395
D640,743	S	6/2011	Guirlinger .....	D19/82
D641,044	S *	7/2011	Rubio et al. ....	D19/85
D641,414	S	7/2011	Guirlinger .....	D19/83
2002/0027357	A1	3/2002	Lake .....	281/30
2010/0172687	A1 *	7/2010	Silva Rubio et al. ....	401/52

OTHER PUBLICATIONS

Quartet ergonomic handle large chalkboard/dryerase board eraser. Retrieved from the Internet: <URL: [http://www.amazon.com/Quartet-Ergonomic-Handle-Chalkboard-52-180132/dp/B001E6BI3W/ref=sr\\_1\\_24?s=office-products&ie=UTF8&qid=1304340875&sr=1-24](http://www.amazon.com/Quartet-Ergonomic-Handle-Chalkboard-52-180132/dp/B001E6BI3W/ref=sr_1_24?s=office-products&ie=UTF8&qid=1304340875&sr=1-24)>. Publicly available before May 9, 2011.

School smart magnetic whiteboard dryeraser. Retrieved from the Internet: <URL: [http://www.amazon.com/School-Smart-Magnetic-Whiteboard-Eraser/dp/B003U6P1QO/ref=sr\\_1\\_44?s=office-products&ie=UTF8&qid=1304341186&sr=1-44](http://www.amazon.com/School-Smart-Magnetic-Whiteboard-Eraser/dp/B003U6P1QO/ref=sr_1_44?s=office-products&ie=UTF8&qid=1304341186&sr=1-44)>. Publicly available before May 9, 2011.

Magnetico magnetic delete-key dryerase board eraser. Retrieved from the Internet: <URL: [http://www.amazon.com/Magnetico-Magnetic-Delete-Key-Eraser-MdE-01/dp/B000WTI100/ref=sr\\_1\\_114?s=office-products&ie=UTF8&qid=1304341350&sr=1-114](http://www.amazon.com/Magnetico-Magnetic-Delete-Key-Eraser-MdE-01/dp/B000WTI100/ref=sr_1_114?s=office-products&ie=UTF8&qid=1304341350&sr=1-114)>. Publicly available before May 9, 2011.

Sparco magnetic eraser with marker storage. Retrieved from the Internet: <URL: [http://www.amazon.com/Sparco-Products-Magnetic-magnetic-dry-erase/dp/B004E3GBU2/ref=sr\\_1\\_134?s=office-products&ie=UTF8&qid=1304341461&sr=1-134](http://www.amazon.com/Sparco-Products-Magnetic-magnetic-dry-erase/dp/B004E3GBU2/ref=sr_1_134?s=office-products&ie=UTF8&qid=1304341461&sr=1-134)>. Publicly available before May 9, 2011.

Prestige eraser for dry-erase. Retrieved from the Internet: <URL: [http://www.amazon.com/Quartet-Products-Dry-erase-disposable-available/dp/B004E3GLG6/ref=sr\\_1\\_157?s=office-products&ie=UTF8&qid=1304341558&sr=1-157](http://www.amazon.com/Quartet-Products-Dry-erase-disposable-available/dp/B004E3GLG6/ref=sr_1_157?s=office-products&ie=UTF8&qid=1304341558&sr=1-157)>. Publicly available before May 9, 2011.

Expo ergonomic shaped eraser. Retrieved from the Internet: <URL: [Double-sided/dp/B004E3G6PM/ref=sr\\_1\\_242?s=office-products&ie=UTF8&qid=1304341698&sr=1-242>. Publicly available before May 9, 2011.

Magnetic whiteboard eraser. Retrieved from the Internet: <URL: <http://www.google.com/search?um=1&hl=en&biw=1579&bih=671&site=search&tbn=isch&sa=1&q=magnetic+whiteboard+eraser+by+Dowling+Magnets&aq=f&aqi=&aql=&oq=http://www.google.com/search?um=1&hl=en&biw=1579&bih=671&site=search&tbn=isch&sa=1&q=magnetic+whiteboard+eraser+by+Dowling+Magnets&aq=f&aqi=&aql=&oq=>>>. Publicly available before May 9, 2011.

TUL dry erase eraser. Retrieved from the Internet: <URL: \[http://www.officemax.com/catalog/sku.jsp?productId=ARS24595&history=sellb86zlprodPage~15%5efreeText~eraser%5eparamValue~true%5erefine~1%5eregion~1%5eparam~return\\\_skus~Y\]\(http://www.officemax.com/catalog/sku.jsp?productId=ARS24595&history=sellb86zlprodPage~15%5efreeText~eraser%5eparamValue~true%5erefine~1%5eregion~1%5eparam~return\_skus~Y\)>. Publicly available before May 9, 2011.

TUL dry erase organizer set. Retrieved from the Internet: <URL: \[http://www.google.com/imgres?imgurl=http://www.reliable.com/catalog/images/397x353/22347033i01.jpg&imgrefurl=http://www.reliable.com/brands/tul/tul-markers/product-ARS24537&usg=\\\_\\\_pciMBh1t25SpJzQTlccuWmkduxo=&h=353&w=397&sz=17&hl=en&start=14&zoom=1&um=1&itbs=1&tbnid=KTH1XX5g0ItjhM:&tbnh=110&tbnw=124&prev=/search%3Fq%3DTUL%2Bdry%2Berase%2Beraser%26um%3D1%26hl%33Den%26biw%3D1579%26bih%3D671%26tbn%3Disch&ei=orbBTf-OF6bx0gGioOnoDA\]\(http://www.google.com/imgres?imgurl=http://www.reliable.com/catalog/images/397x353/22347033i01.jpg&imgrefurl=http://www.reliable.com/brands/tul/tul-markers/product-ARS24537&usg=\_\_pciMBh1t25SpJzQTlccuWmkduxo=&h=353&w=397&sz=17&hl=en&start=14&zoom=1&um=1&itbs=1&tbnid=KTH1XX5g0ItjhM:&tbnh=110&tbnw=124&prev=/search%3Fq%3DTUL%2Bdry%2Berase%2Beraser%26um%3D1%26hl%33Den%26biw%3D1579%26bih%3D671%26tbn%3Disch&ei=orbBTf-OF6bx0gGioOnoDA\)>. Publicly available before May 9, 2011.

Wire stay. Retrieved from the Internet: <URL: <http://www.mockett.com/furniture-hardware/wm25.html>>. Publicly available before May 9, 2011.

Magnetic dryeraser with cup. Retrieved from the Internet: <URL: <http://www.containerstore.com/shop?productId=10027279&N=&Ntt=magnetic+eraser>>. Publicly available before May 9, 2011.

Magnetic dryeraser with pen. Retrieved from the Internet: <URL: <http://www.containerstore.com/shop?productId=10027280&N=&Ntt=magnetic+eraser>>. Publicly available before May 9, 2011.

System Disco Infuse magnetic eraser. Retrieved from the Internet: <URL: <http://dealnay.com/1278779/system-disco-infuse-magnetic-eraser.html>>. Publicly available before May 9, 2011.

Officemax magnetic whiteboard eraser. Retrieved from the Internet: <URL: <http://www.te.co.nz/Office-Business/Office-School-Equipment/Manukau-City/Manukau-City/adId-4594271.htm>>. Publicly available before May 9, 2011.

Dryerase marker with magnetic eraser. Retrieved from the Internet: <URL: <http://www.bi-silque.com/pFinder.php?tag=markers>>. Publicly available before May 9, 2011.](http://www.amazon.com/Sanford-Ink-Corporation-Products-</a></p>
</div>
<div data-bbox=)

\* cited by examiner

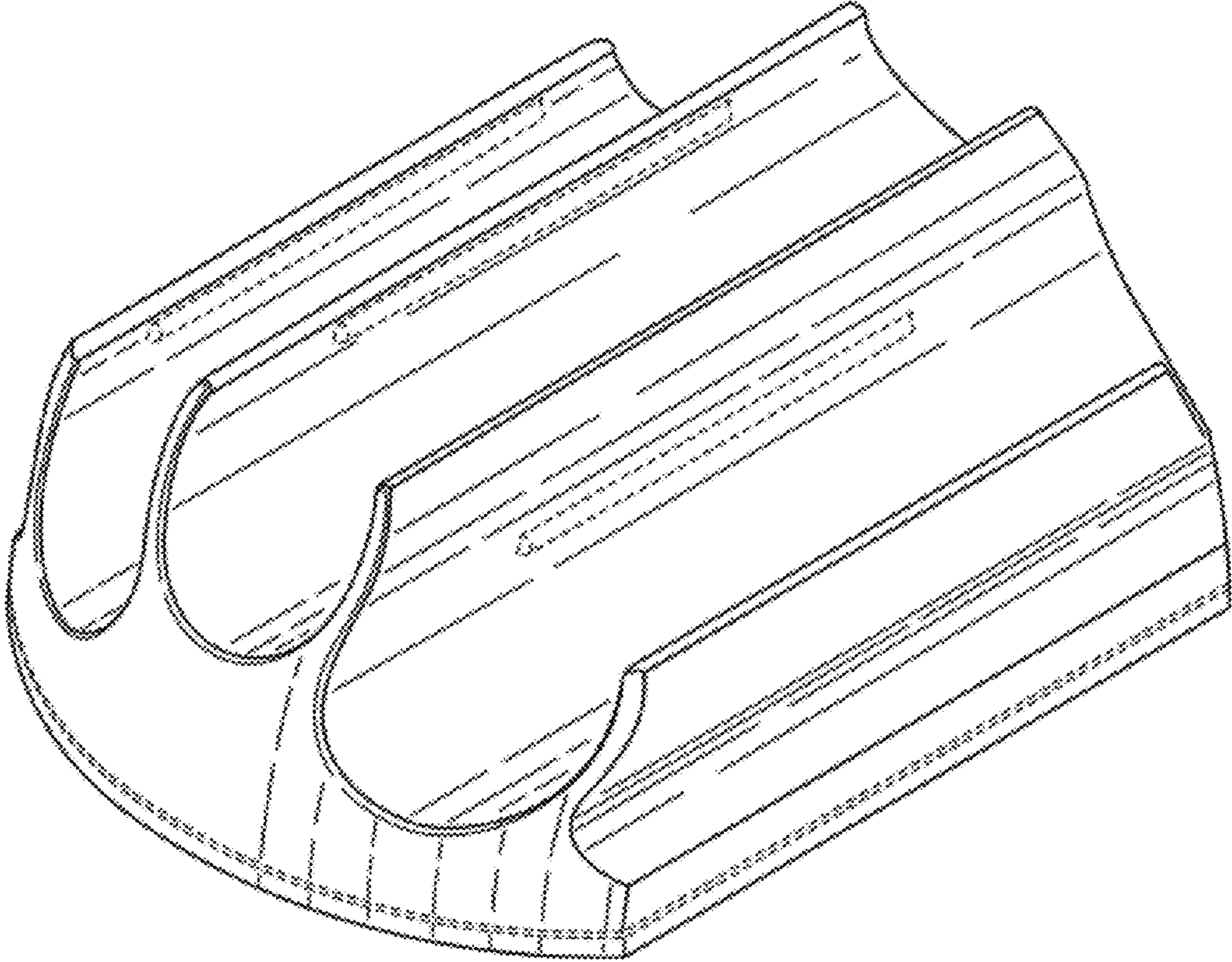
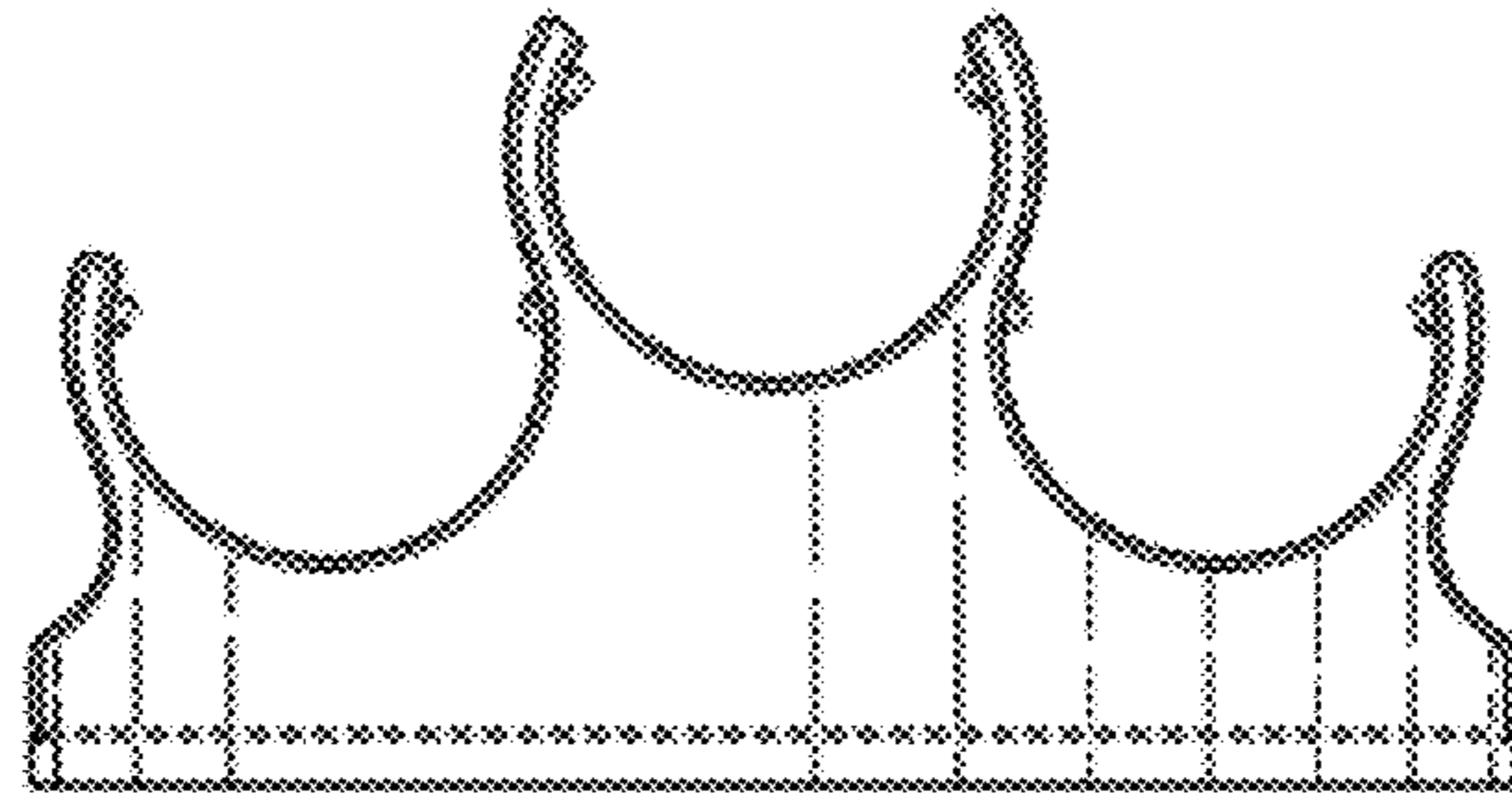


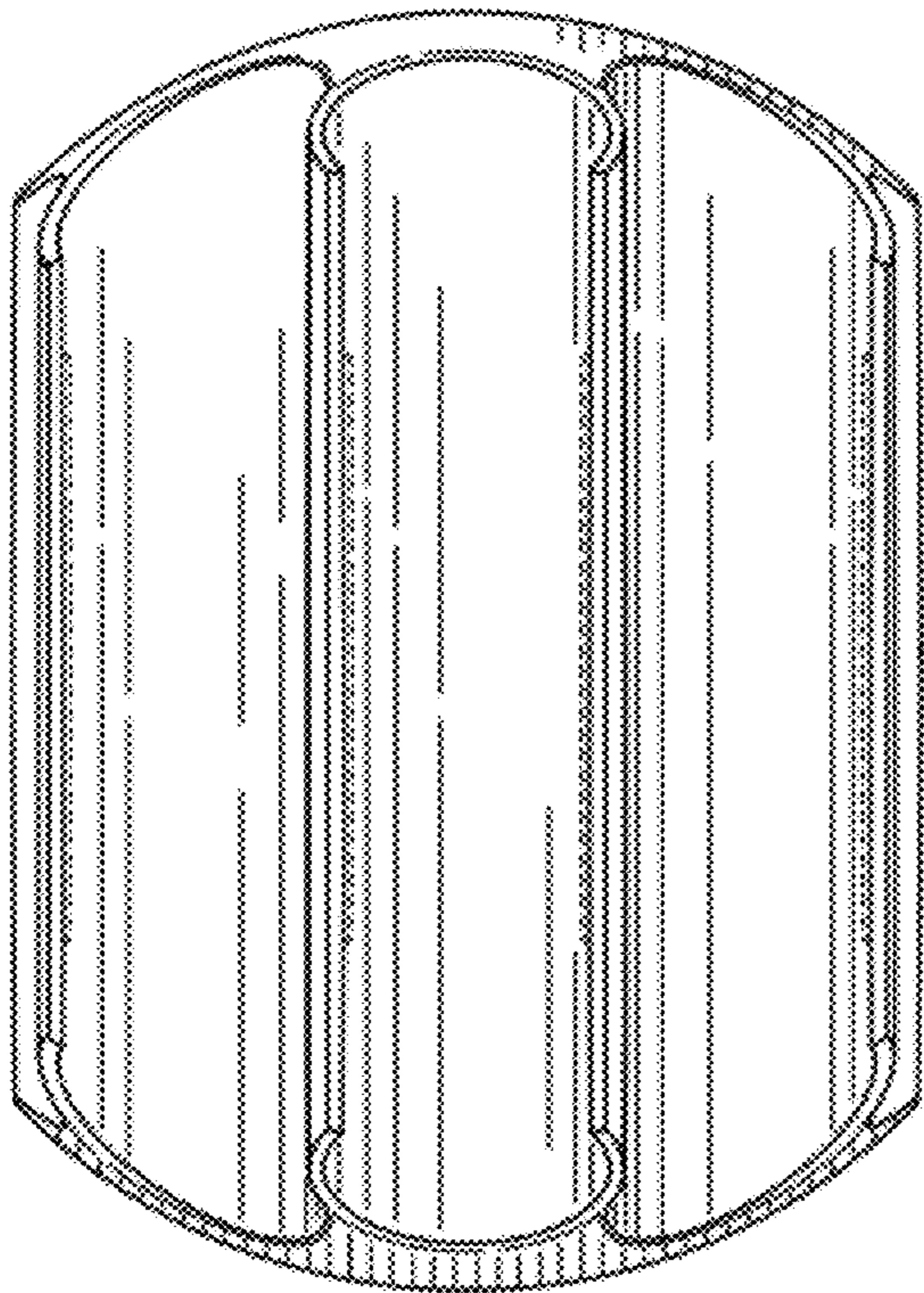
FIG. 1



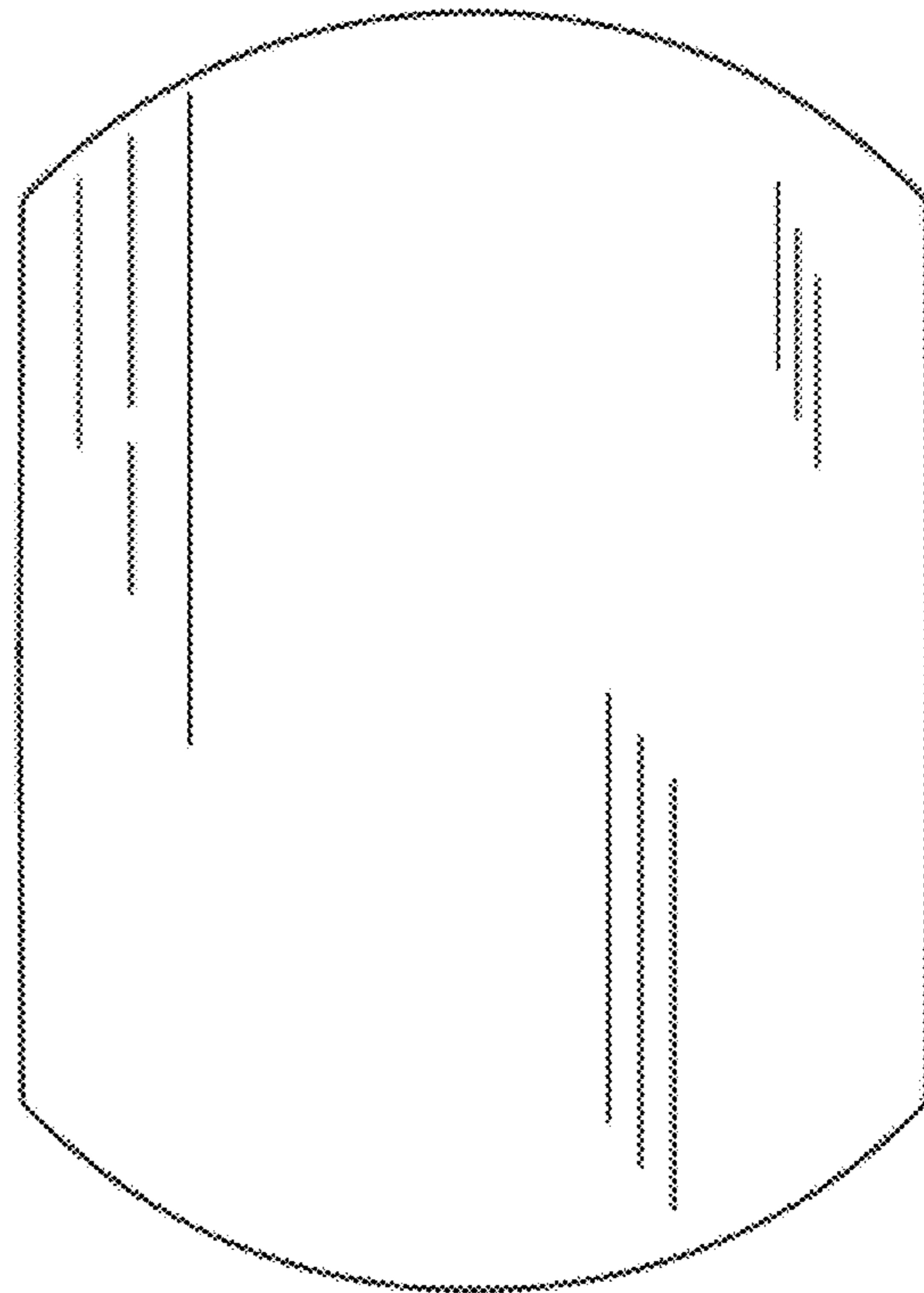
**FIG. 2**



**FIG. 3**



**FIG. 4**



**FIG. 5**