

US00D669934S

(12) **United States Design Patent**
van der Lande

(10) **Patent No.:** **US D669,934 S**

(45) **Date of Patent:** **** Oct. 30, 2012**

(54) **OWL PEN**

(75) Inventor: **Jan van der Lande**, New York, NY (US)

(73) Assignee: **Kikkerland Design Inc**, New York, NY (US)

(**) Term: **14 Years**

(21) Appl. No.: **29/401,823**

(22) Filed: **Sep. 15, 2011**

(51) **LOC (9) Cl.** **19-06**

(52) **U.S. Cl.** **D19/42**

(58) **Field of Classification Search** D14/411;
D19/35, 36, 41-51, 54-58; 24/11 F, 11 P,
24/11 R; 401/52, 99-109, 192, 195, 196;
D3/211; D11/134, 158; D21/606

See application file for complete search history.

(56) **References Cited**

U.S. PATENT DOCUMENTS

| | | | | |
|---------------|---------|-----------------|-------|---------|
| D161,713 S * | 1/1951 | Sessions | | D10/7 |
| 2,896,577 A * | 7/1959 | Merryman et al. | | 401/112 |
| 3,985,455 A * | 10/1976 | Wahlberg | | 401/30 |
| D263,404 S * | 3/1982 | Clark | | D21/408 |
| D326,297 S * | 5/1992 | Noshiro | | D21/531 |
| D385,316 S * | 10/1997 | McCarter | | D21/587 |
| D393,000 S * | 3/1998 | Yang | | D19/42 |

| | | | | |
|---------------|--------|---------------|-------|---------|
| 5,735,592 A * | 4/1998 | Shu | | 362/118 |
| D596,229 S * | 7/2009 | van der Lande | | D19/42 |
| D596,666 S * | 7/2009 | van der Lande | | D19/42 |
| D596,667 S * | 7/2009 | van der Lande | | D19/42 |
| D599,853 S * | 9/2009 | van der Lande | | D19/42 |
| D636,987 S * | 5/2011 | van der Lande | | D3/211 |
| D643,065 S * | 8/2011 | van der Lande | | D19/42 |
| D655,632 S * | 3/2012 | van der Lande | | D10/40 |
| D663,790 S * | 7/2012 | Williams | | D21/606 |

* cited by examiner

Primary Examiner — Elizabeth Albert

(74) *Attorney, Agent, or Firm* — Cascio & Zervas

(57) **CLAIM**

The ornamental design for an owl pen, as shown and described.

DESCRIPTION

FIG. 1 is a front elevational view of the owl pen showing my design;

FIG. 2 is a rear elevational view thereof;

FIG. 3 is a left side elevational view thereof;

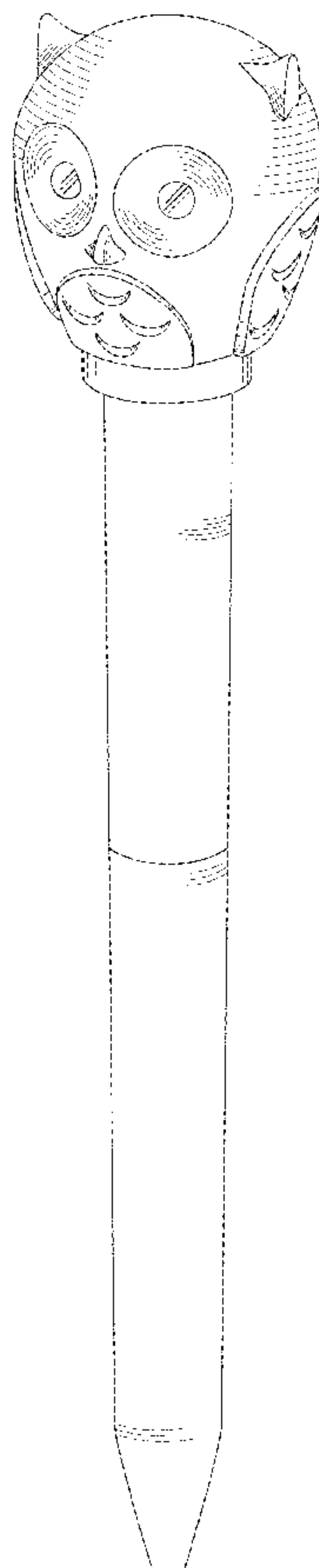
FIG. 4 is a right side elevational view thereof;

FIG. 5 is a top plan view thereof;

FIG. 6 is a bottom plan view thereof; and,

FIG. 7 is a front perspective view thereof.

1 Claim, 3 Drawing Sheets



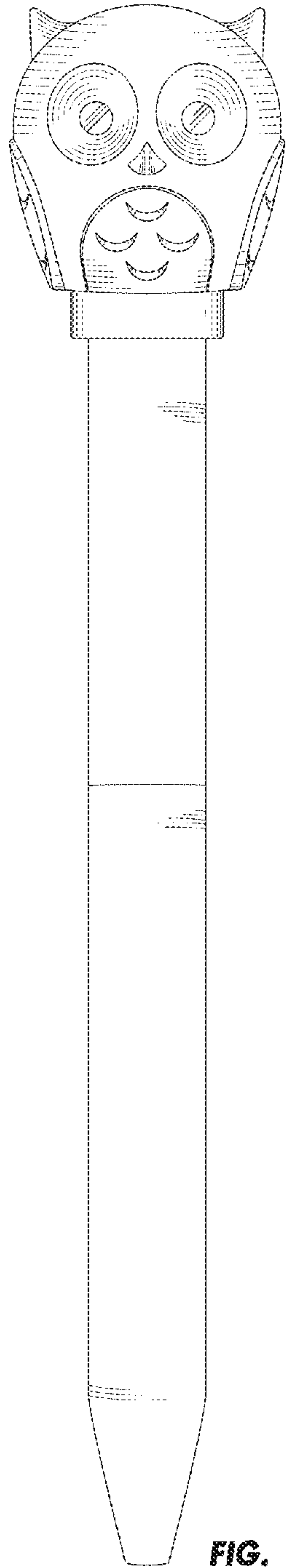


FIG. 1

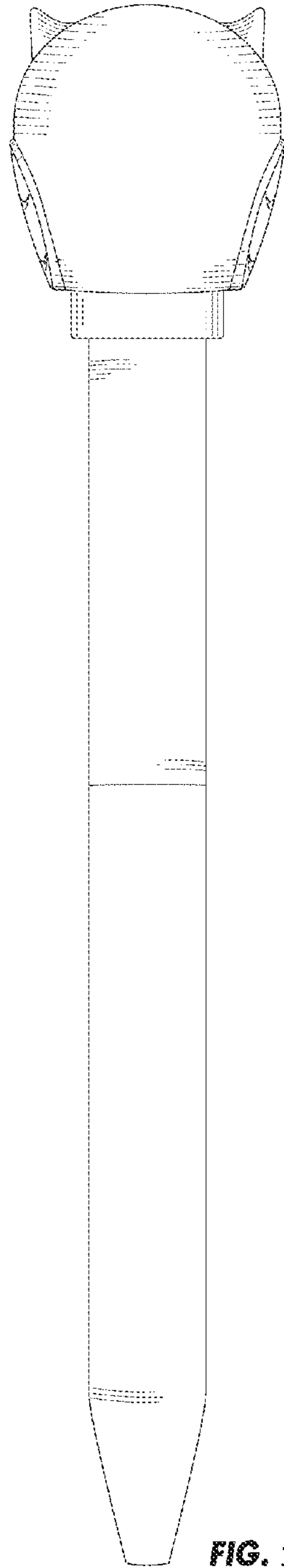


FIG. 2

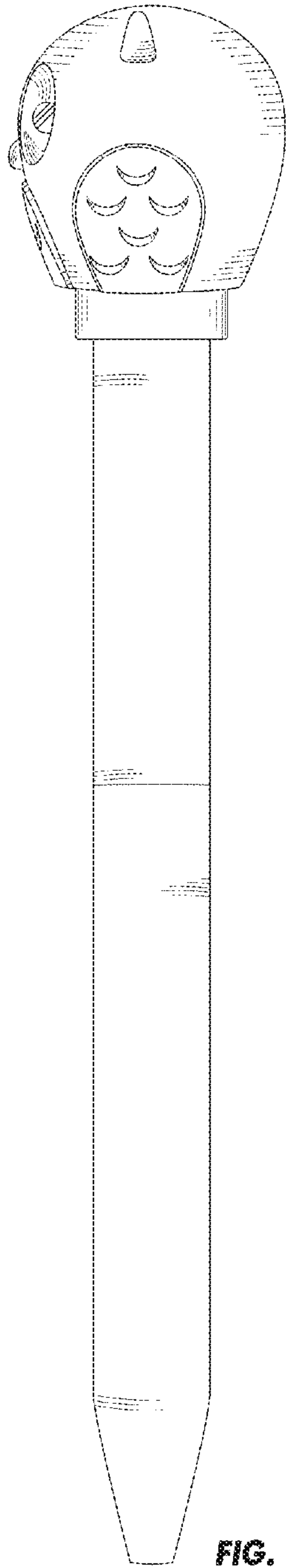


FIG. 3

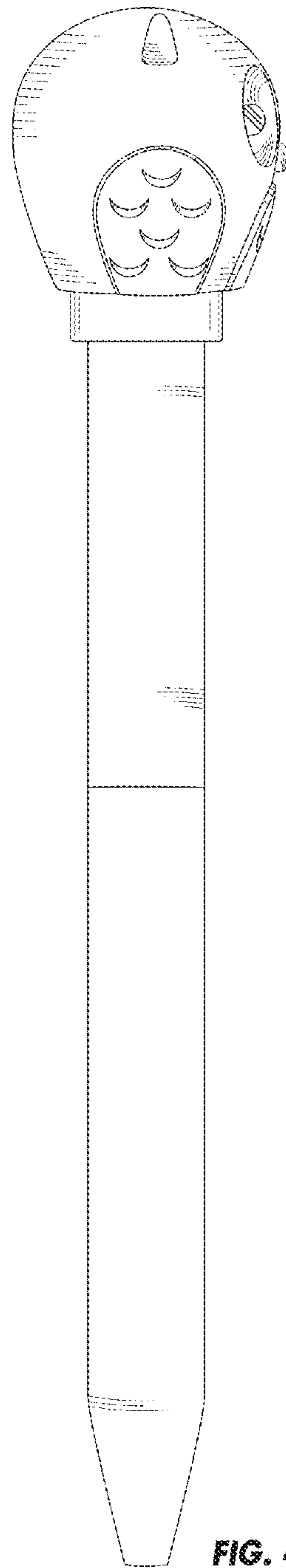


FIG. 4

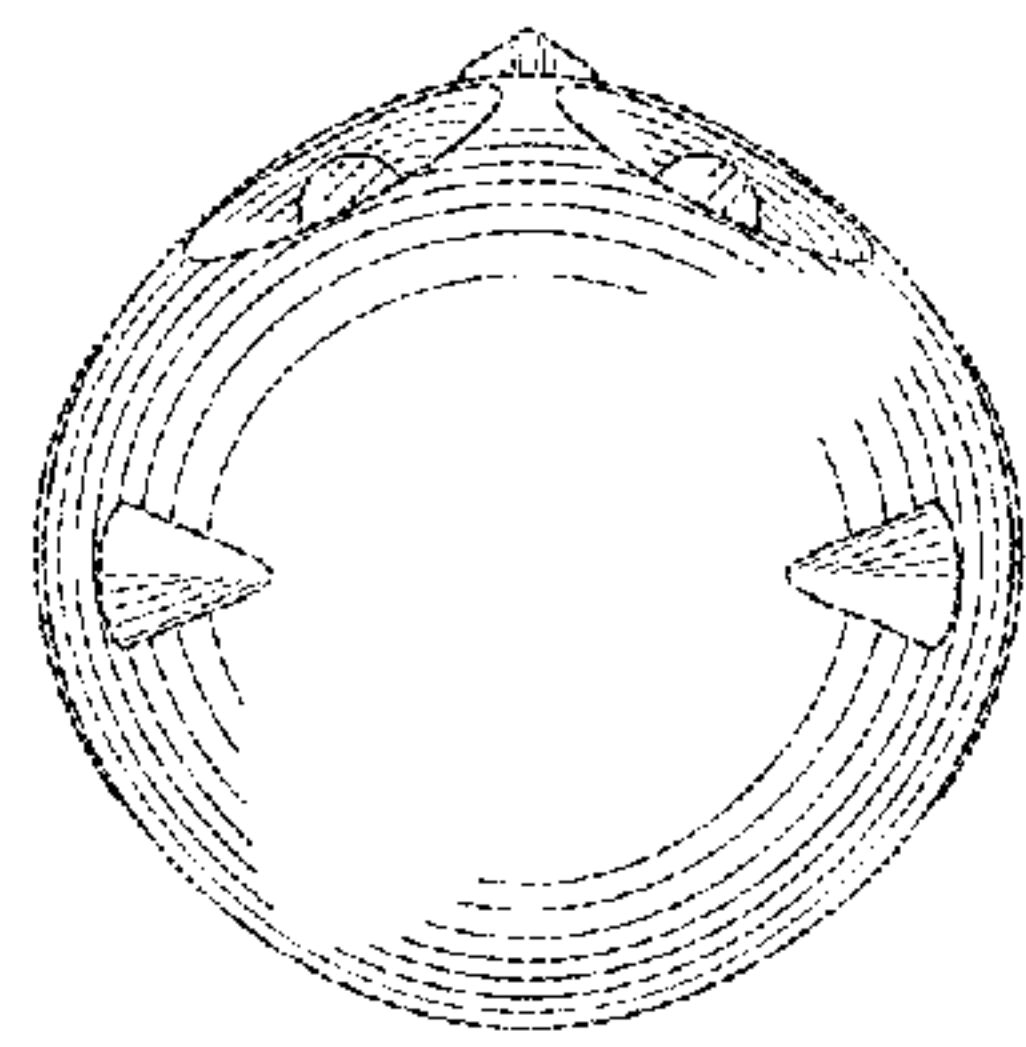


FIG. 5

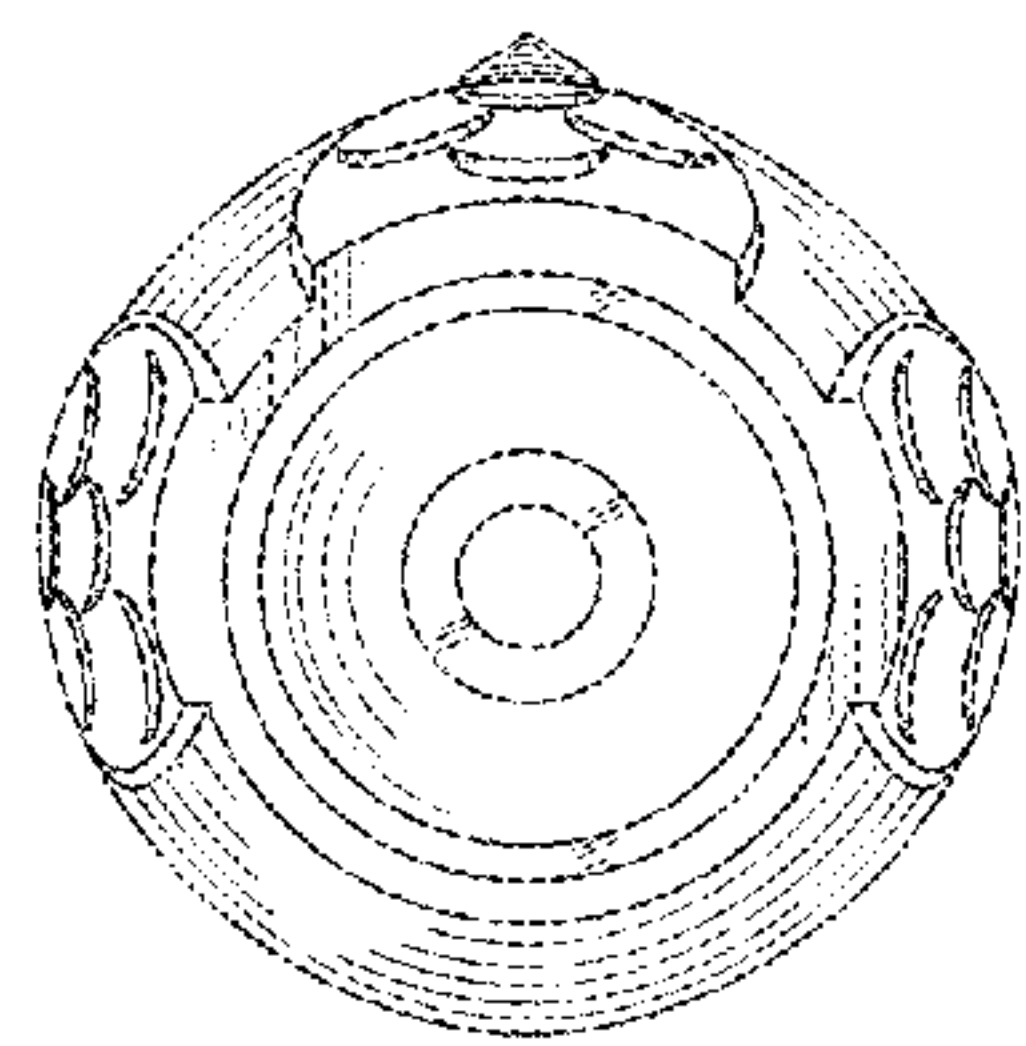


FIG. 6

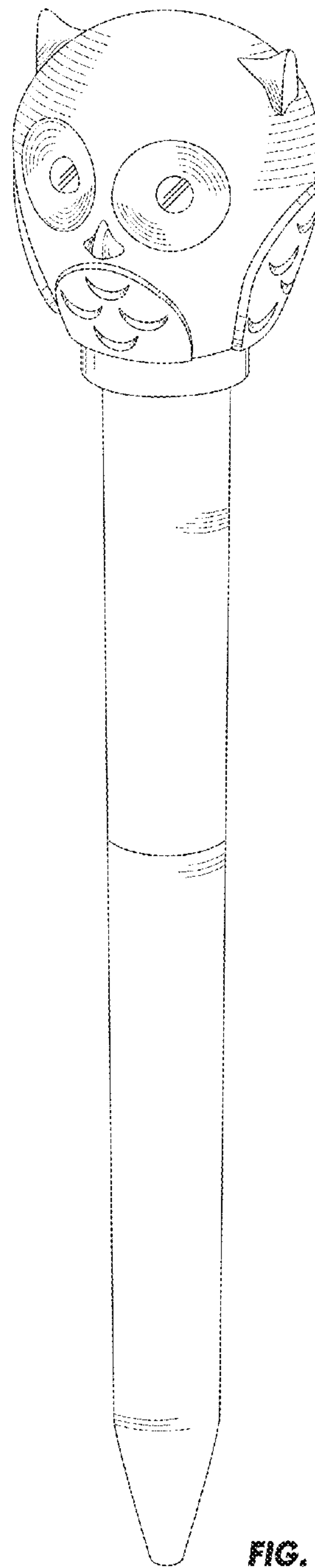


FIG. 7