



US00D669930S

(12) **United States Design Patent**
Koyama et al.

(10) **Patent No.:** **US D669,930 S**
(45) **Date of Patent:** **** Oct. 30, 2012**

(54) **MOUNT**

(75) Inventors: **Takashi Koyama**, Tokyo (JP);
Nobuharu Murashima, Tokyo (JP);
Yoshiharu Tanaka, Tokyo (JP)

(73) Assignee: **Sony Corporation**, Tokyo (JP)

(**) Term: **14 Years**

(21) Appl. No.: **29/371,147**

(22) Filed: **Oct. 29, 2010**

(30) **Foreign Application Priority Data**

May 10, 2010 (JP) D2010-011352
May 10, 2010 (JP) D2010-011373
May 10, 2010 (JP) D2010-011375

(51) **LOC (9) Cl.** **16-05**

(52) **U.S. Cl.** **D16/219; D16/134**

(58) **Field of Classification Search** D16/200,
D16/202, 204, 208, 212, 218, 219, 134; 348/373,
348/374, 375, 376; 358/909.1; 396/349,
396/448, 535, 536, 537, 538, 539, 540, 541
See application file for complete search history.

(56) **References Cited**

U.S. PATENT DOCUMENTS

D339,599 S * 9/1993 Tiffen D16/219
D442,614 S 5/2001 Sumita
D444,161 S 6/2001 Nakamura
D497,174 S * 10/2004 Omino et al. D16/217
D528,579 S * 9/2006 Yasutomi D16/202
7,182,529 B2 * 2/2007 Kurosawa 396/358
D538,324 S * 3/2007 Masamitsu et al. D16/219
D542,323 S 5/2007 Takagi
D562,374 S 2/2008 Miyashita
D566,153 S * 4/2008 Katsuraku D16/218
D567,835 S 4/2008 Sumita
D589,073 S * 3/2009 Hibi D16/218
7,507,041 B2 * 3/2009 Ueda et al. 396/423
D597,579 S 8/2009 Obata
D600,235 S 9/2009 Wada
D600,265 S 9/2009 Miyashita
D600,734 S 9/2009 Yamagishi

D604,249 S 11/2009 Mancini
D604,349 S 11/2009 Miyashita
D605,679 S 12/2009 Hayashi
D608,812 S * 1/2010 Tainaka D16/212
D635,607 S * 4/2011 Takagi D16/219
D636,008 S * 4/2011 Yasutomi D16/219
D644,679 S * 9/2011 Woodman D16/219
D646,313 S * 10/2011 Woodman D16/200
D648,363 S * 11/2011 Takagi et al. D16/219
D652,853 S * 1/2012 Tsukamoto D16/202
D654,943 S * 2/2012 Ogasawara et al. D16/219
D657,811 S * 4/2012 Woodman D16/219

FOREIGN PATENT DOCUMENTS

JP D1249235 S 8/2008
JP D1249520 S 8/2008
JP D1249521 S 8/2008
JP D1249522 S 8/2008
JP D1249523 S 8/2008

(Continued)

Primary Examiner — Cynthia Underwood

(74) *Attorney, Agent, or Firm* — Rader, Fishman & Grauer
PLLC

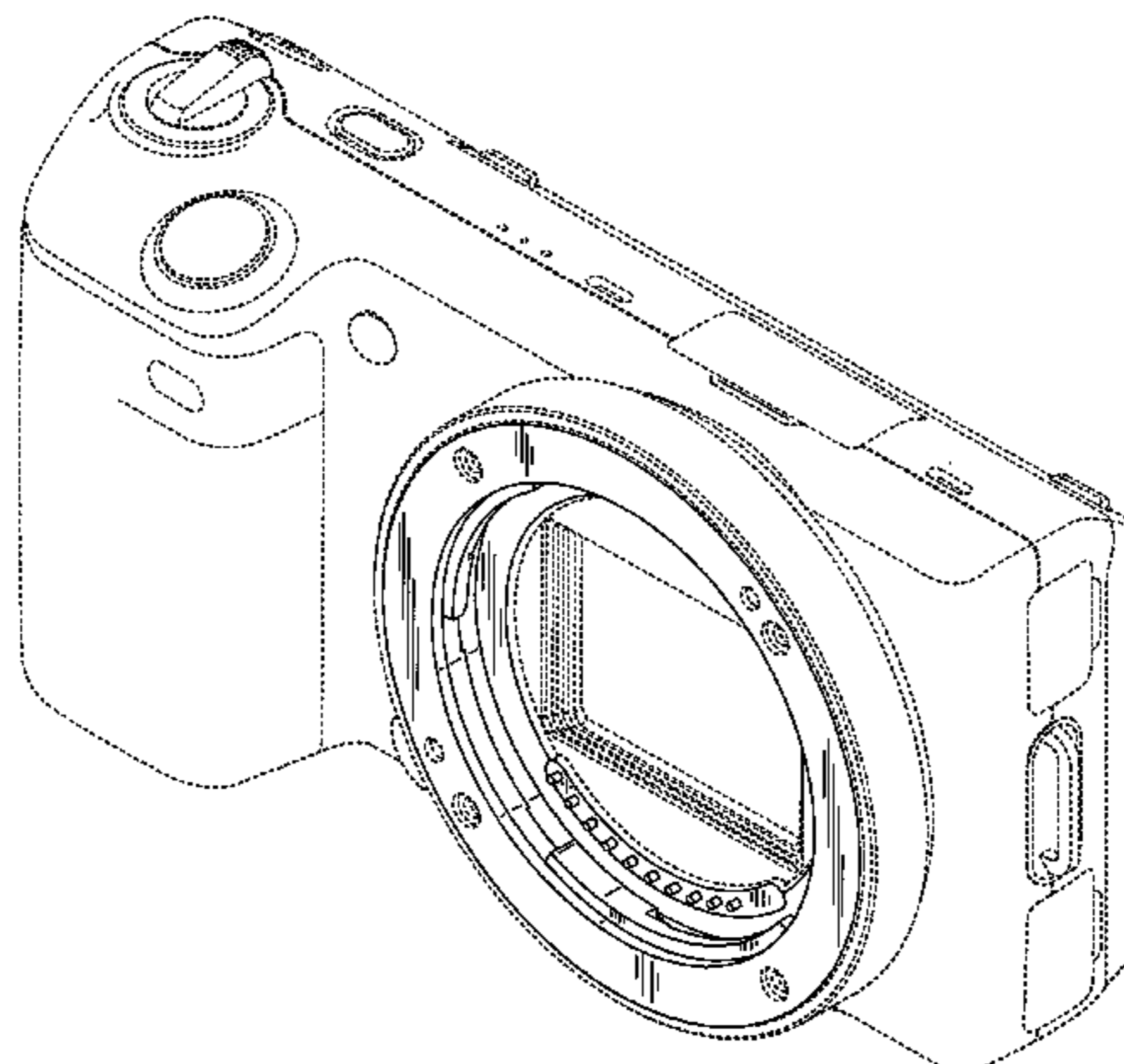
(57) **CLAIM**

The ornamental design for a mount, as shown and described.

DESCRIPTION

FIG. 1 is a perspective view of a first embodiment of a mount showing our new design;
FIG. 2 is a front elevational view thereof;
FIG. 3 is a left side elevational view thereof.
FIG. 4 is a right side elevational view thereof;
FIG. 5 is a top plan view thereof; and
FIG. 6 is a bottom plan view thereof.
FIG. 7 is a perspective view of a second embodiment of a mount showing our new design;
FIG. 8 is a front elevational view thereof;
FIG. 9 is a left side elevational view thereof.
FIG. 10 is a right side elevational view thereof;
FIG. 11 is a top plan view thereof; and
FIG. 12 is a bottom plan view thereof.
Portions shown as broken lines are for illustrative purposes only and form no part of claimed design.

1 Claim, 10 Drawing Sheets



US D669,930 S

Page 2

	FOREIGN PATENT DOCUMENTS		JP	D1274348 S	5/2009
JP	D1249524 S	8/2008			
JP	D1265541 S	2/2009			
				* cited by examiner	

FIG.1

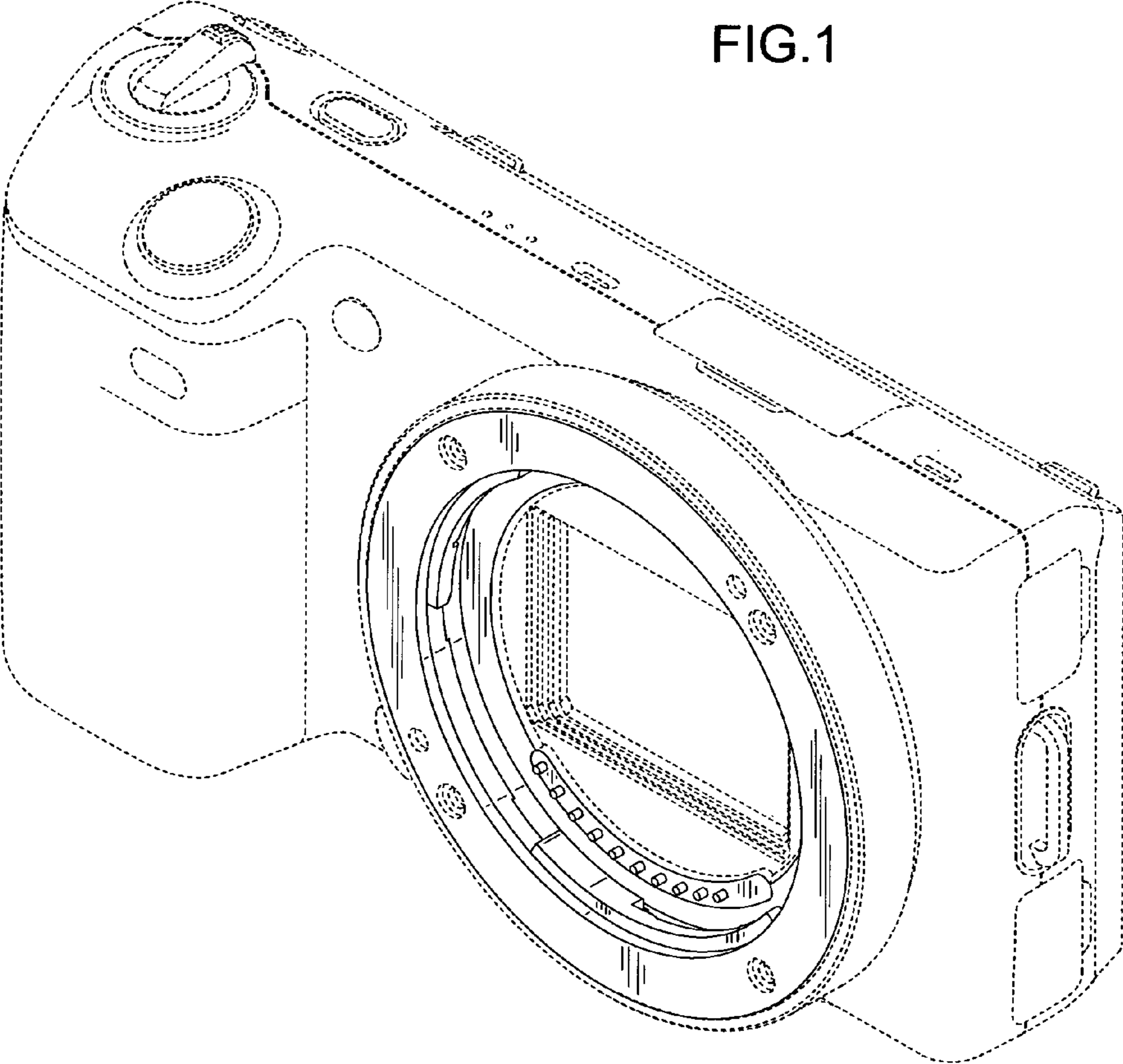


FIG.2

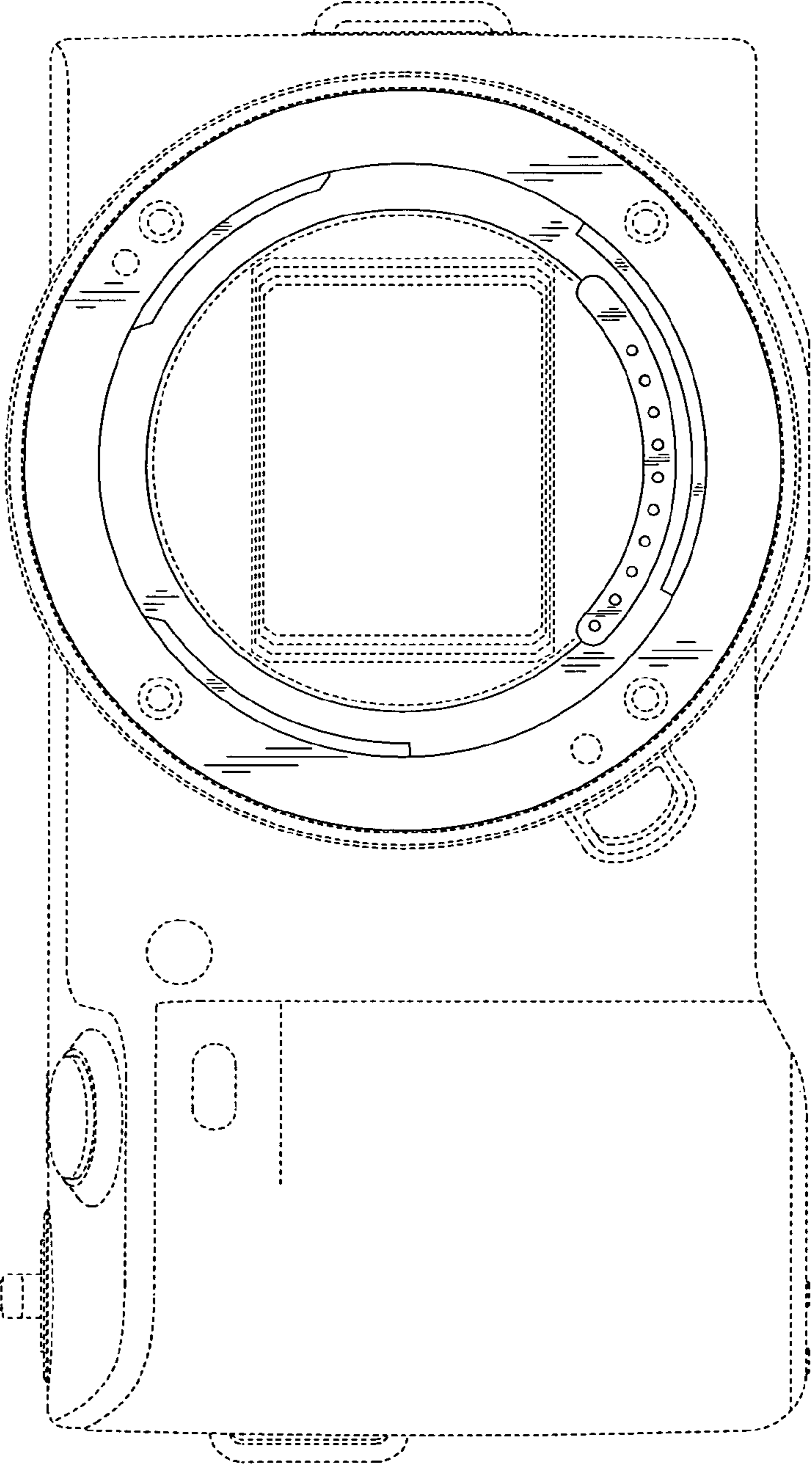


FIG.4

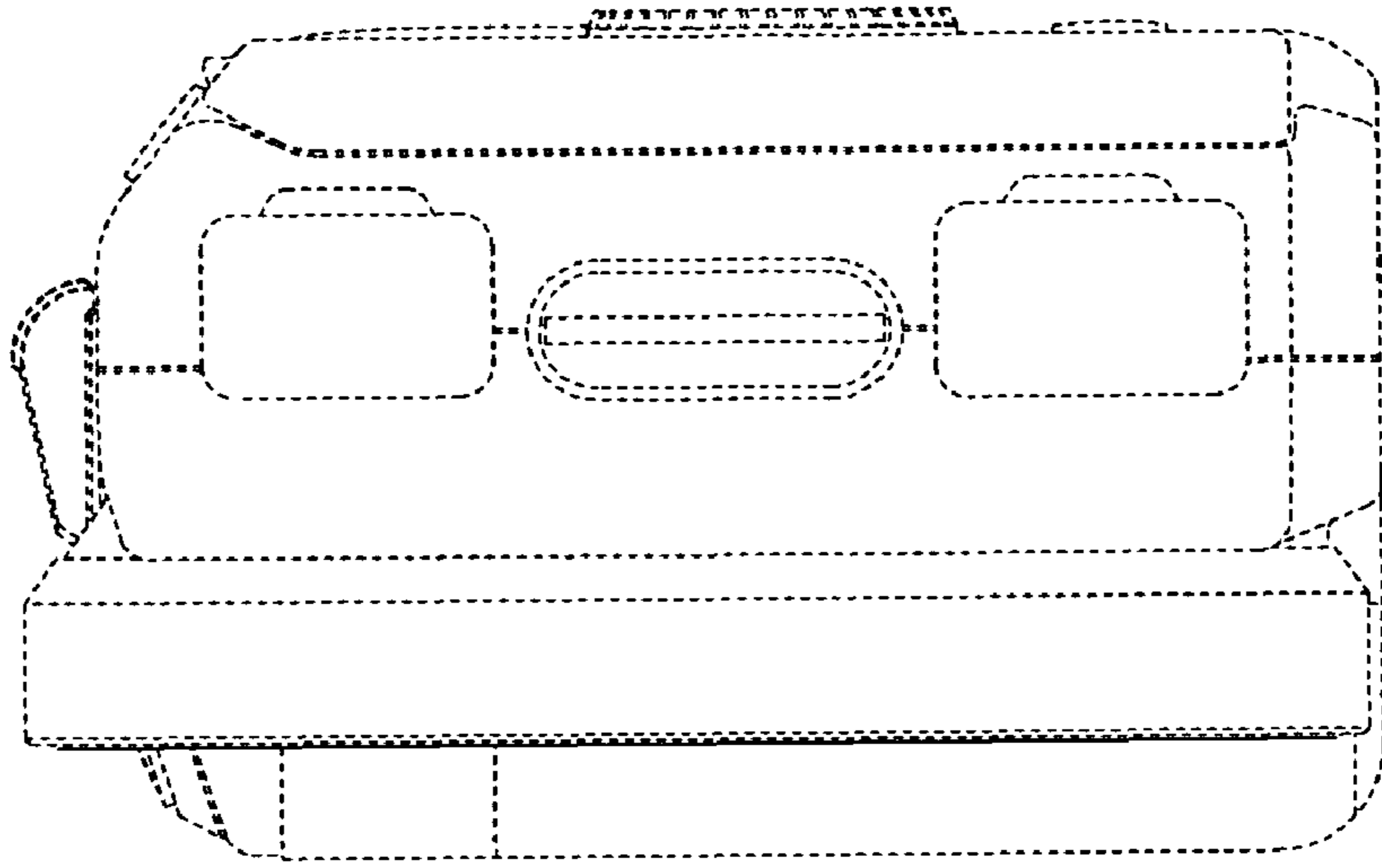
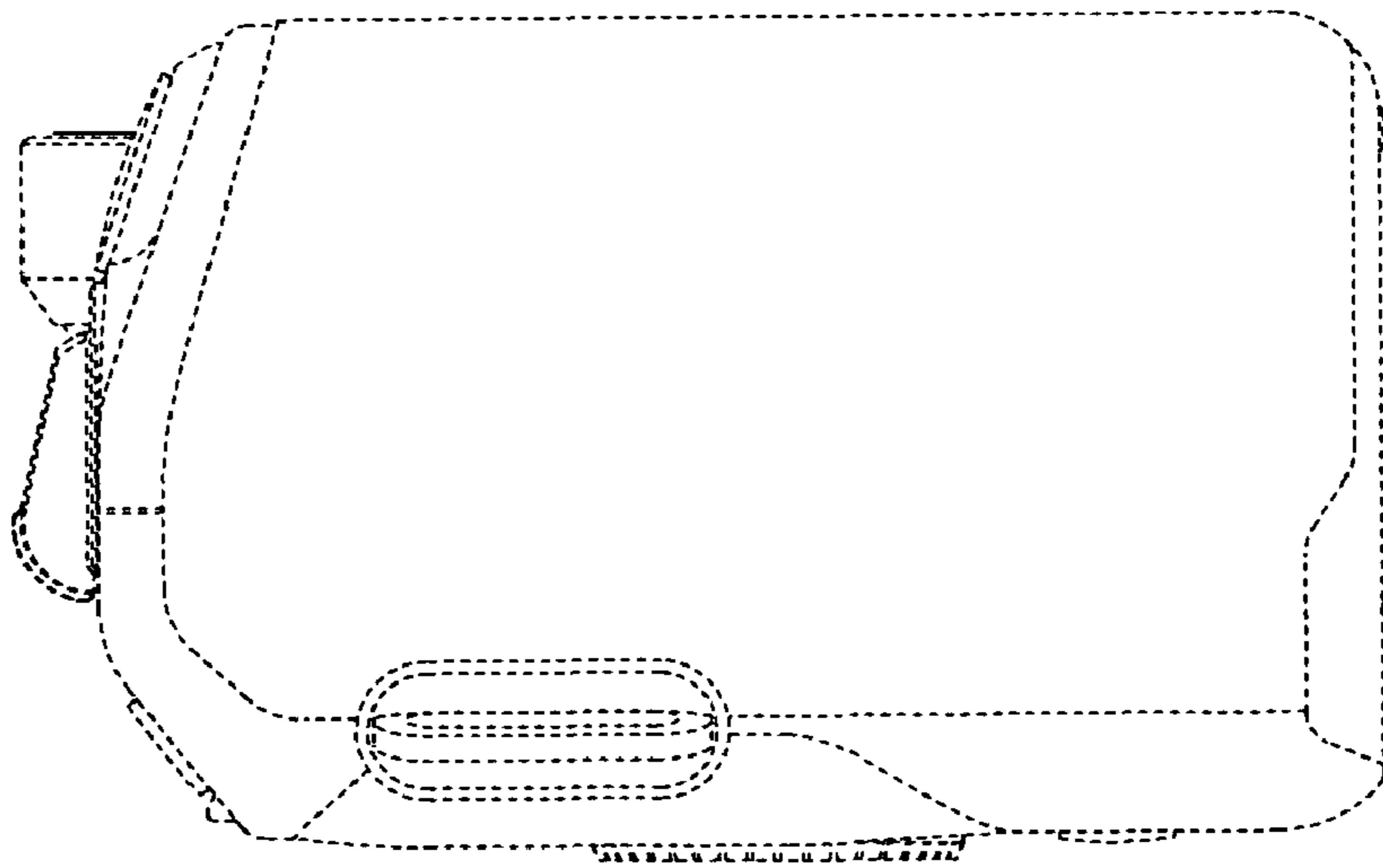


FIG.3



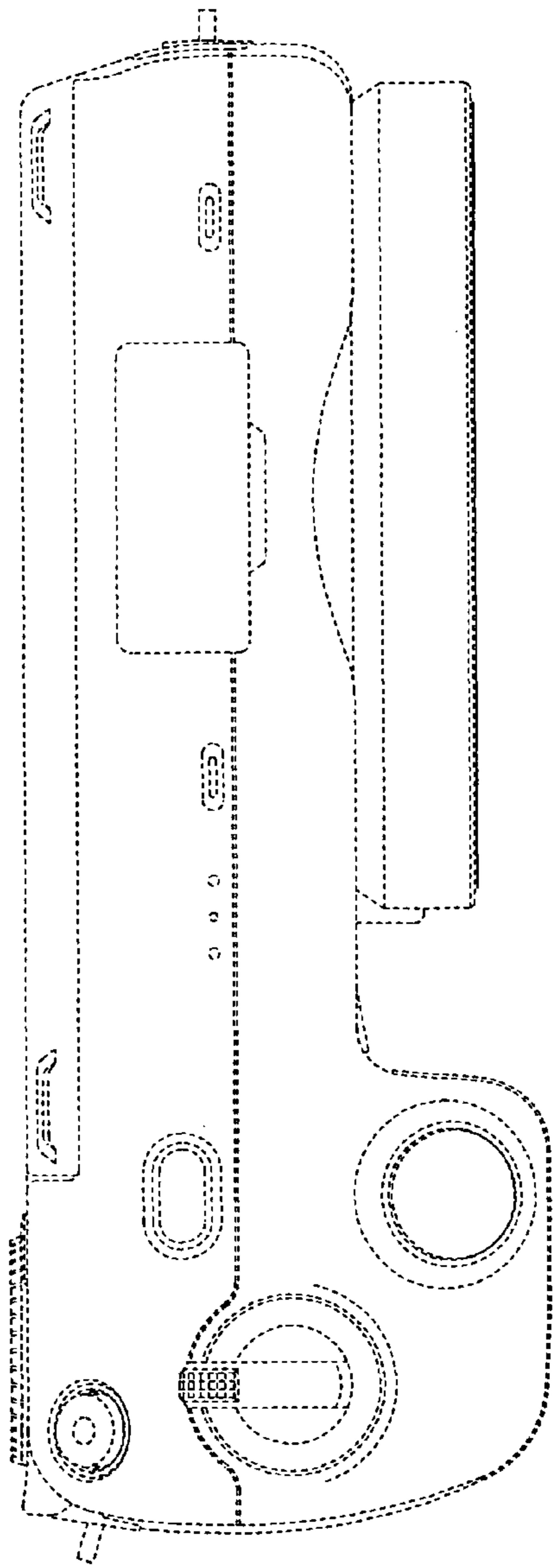


FIG. 5

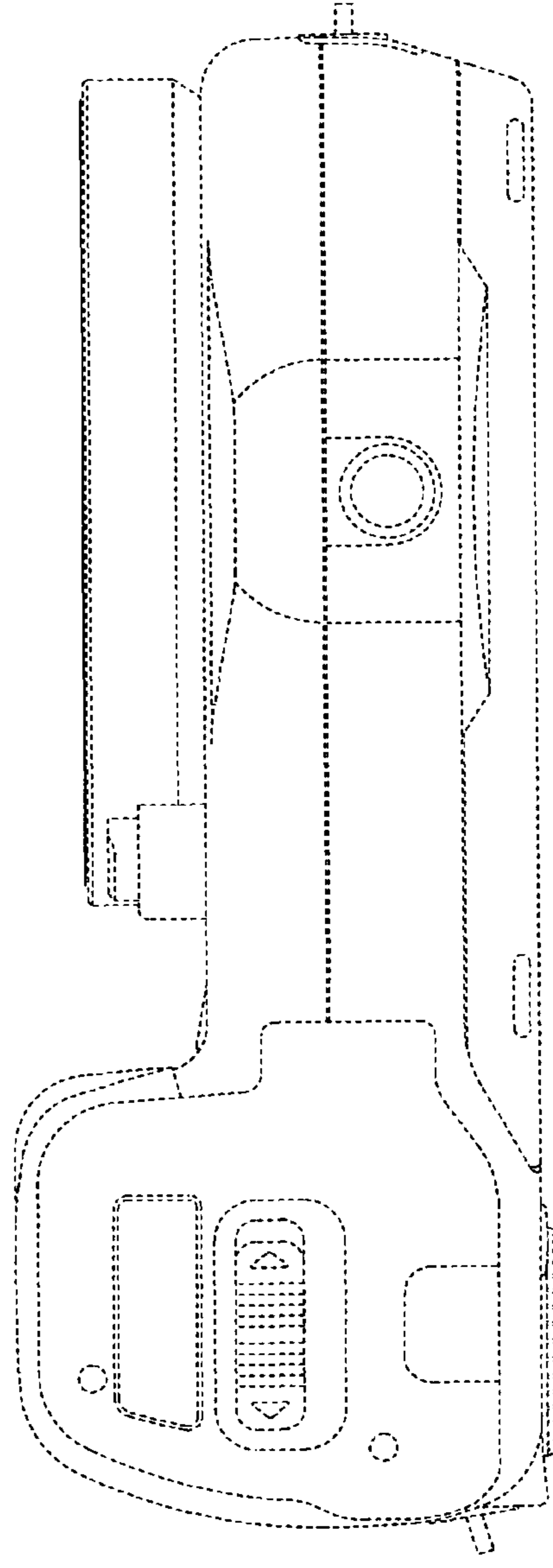


FIG. 6

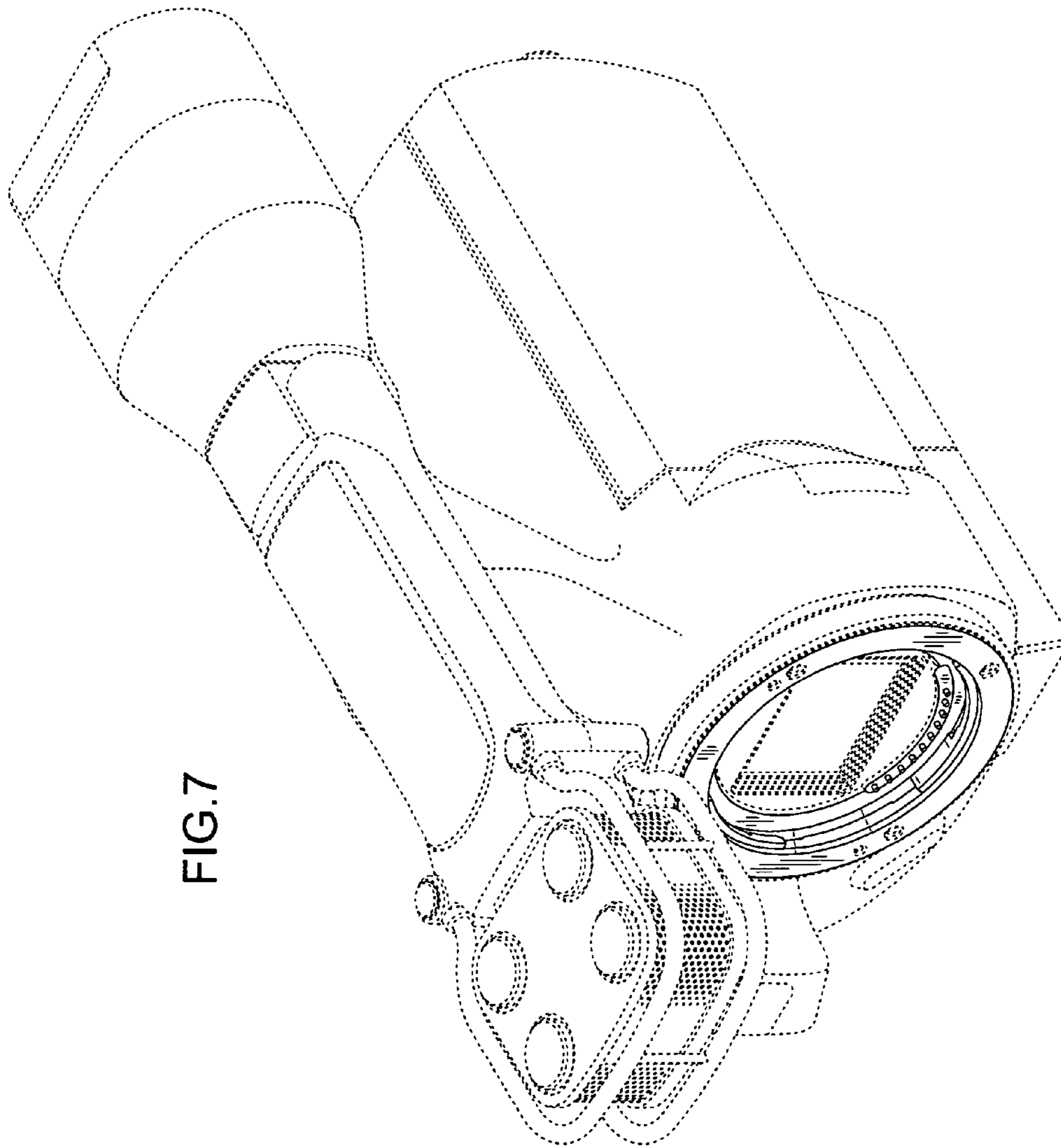


FIG.7

FIG.8

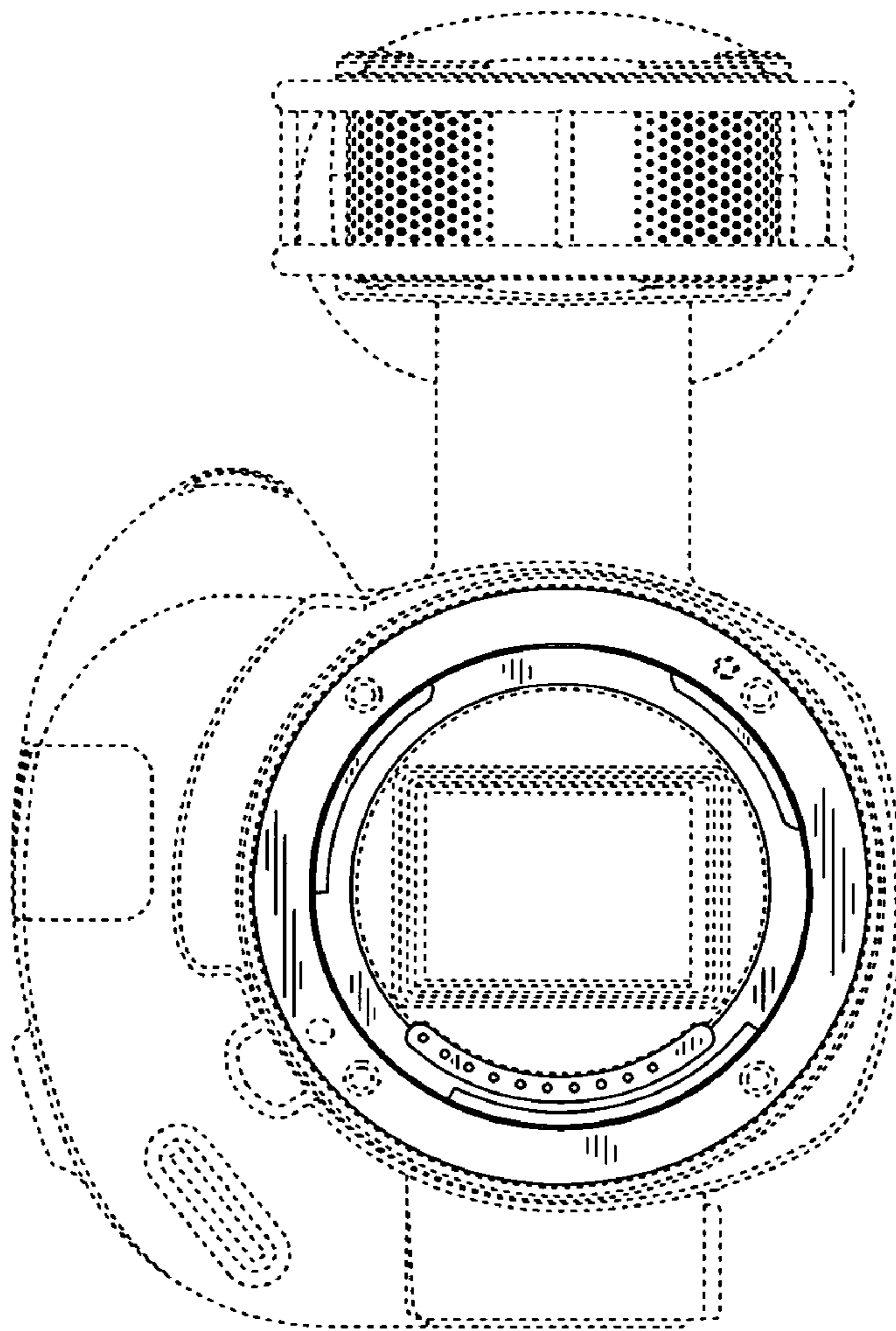


FIG.9

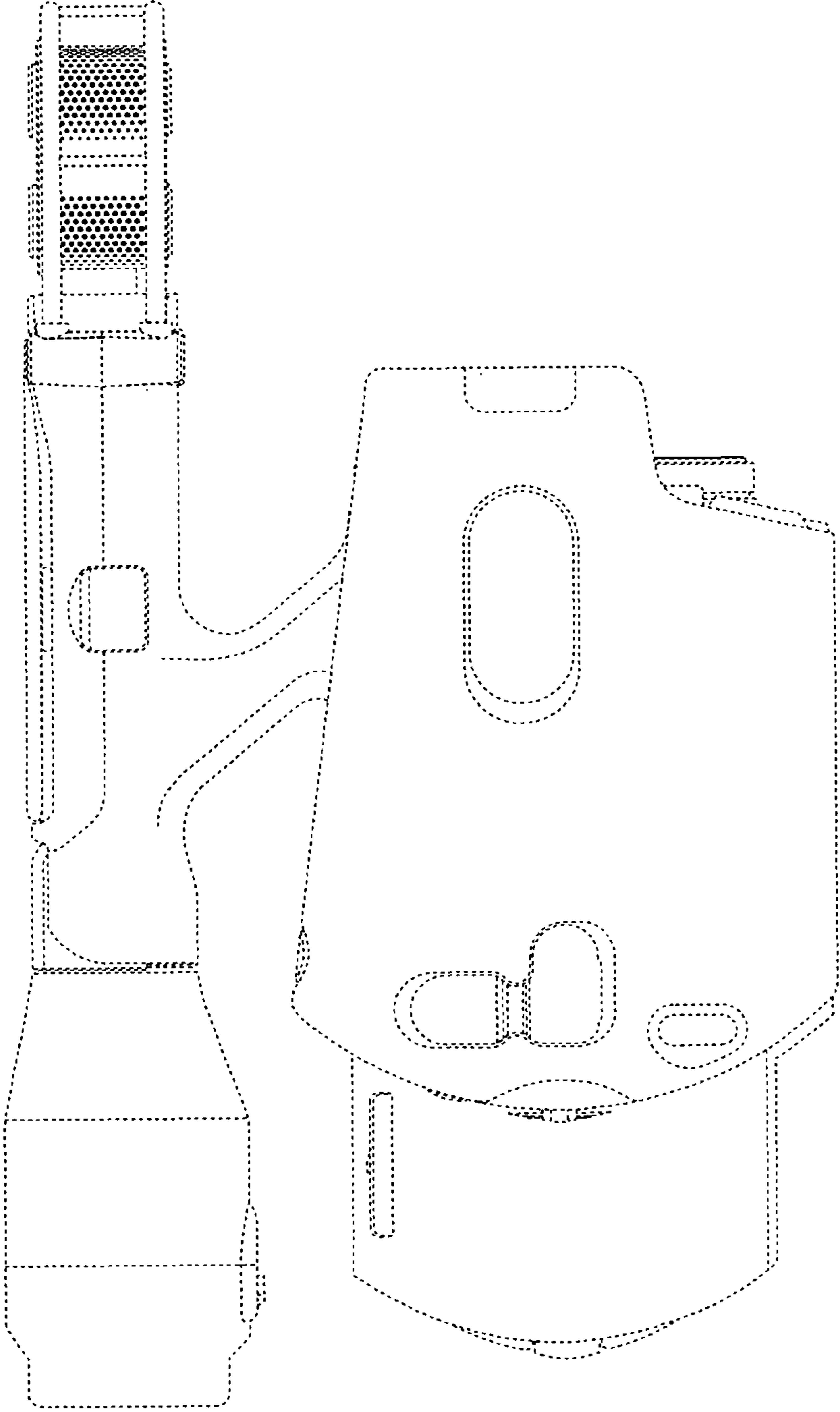


FIG.10

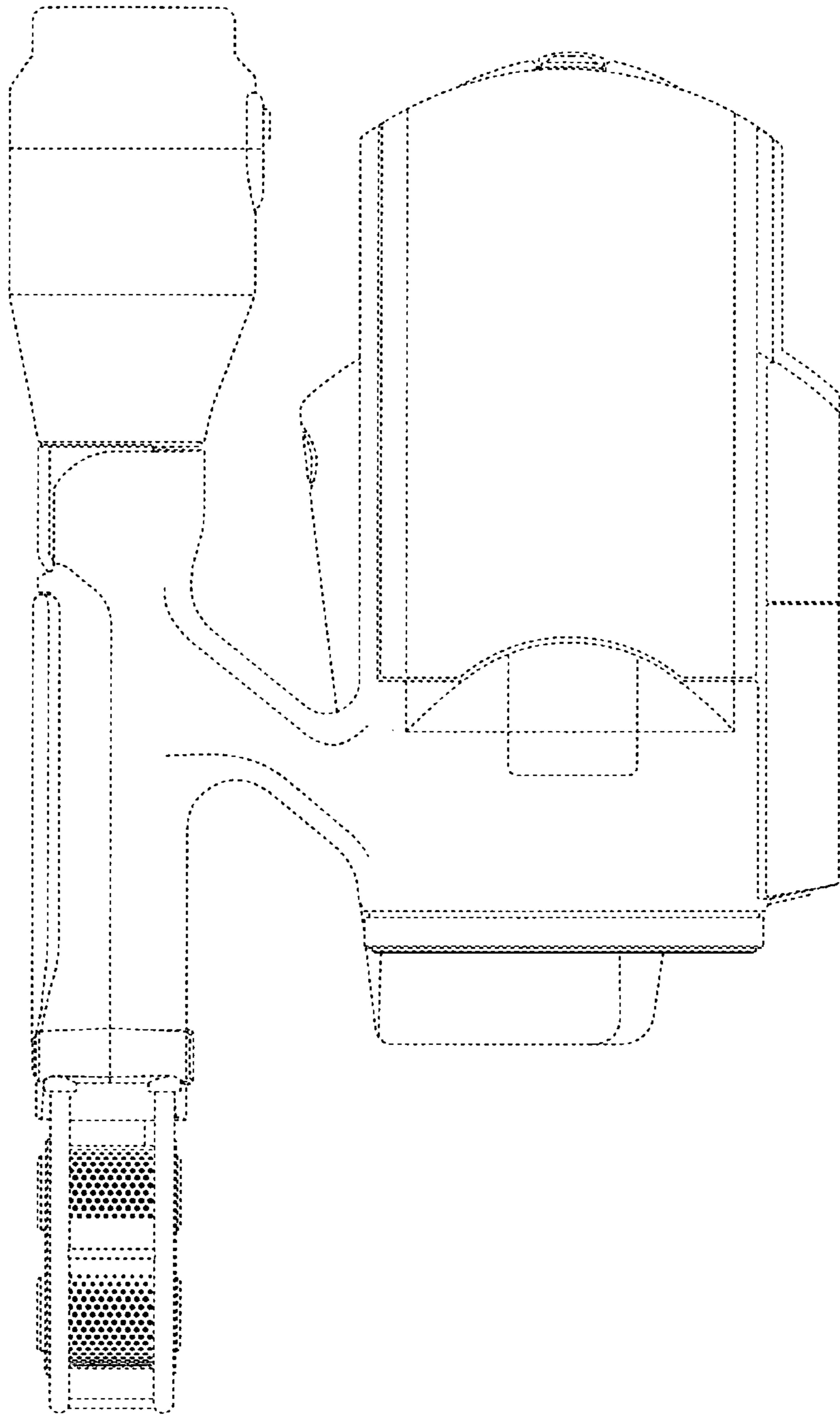


FIG. 11

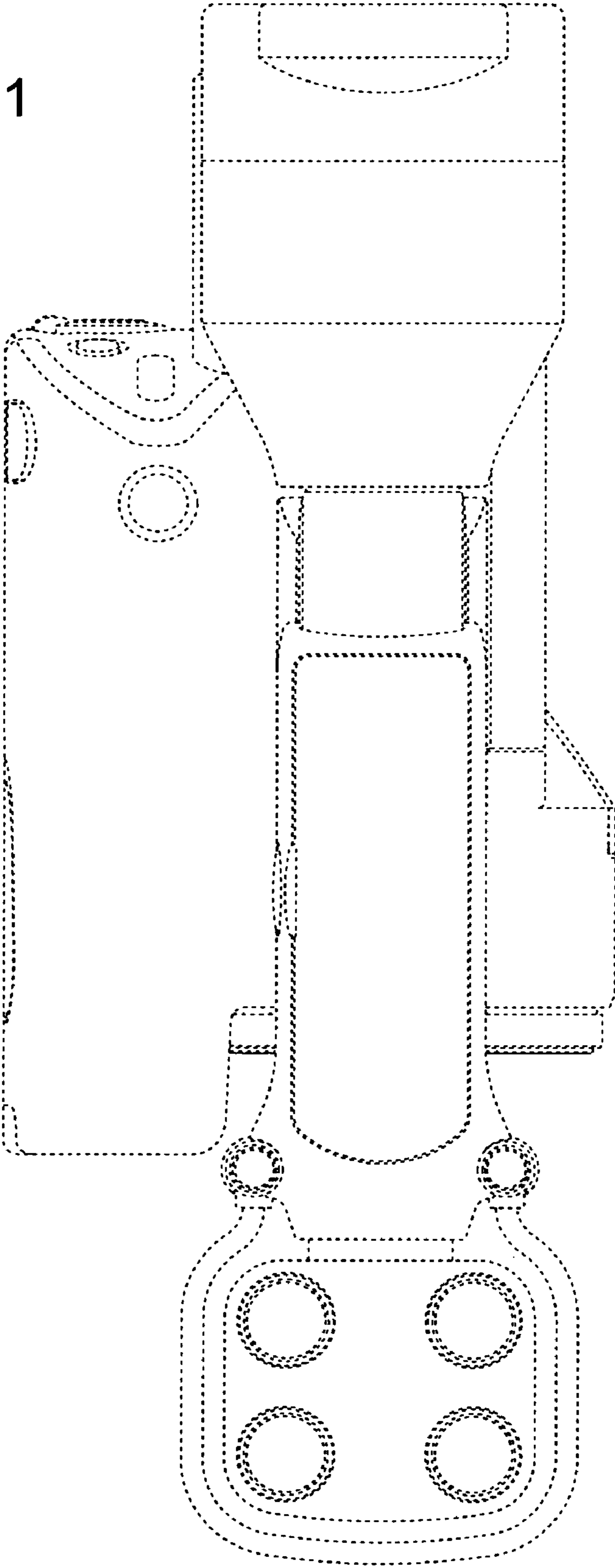


FIG.12

