

US00D669924S

(12) **United States Design Patent**
Lombardo et al.

(10) **Patent No.:** **US D669,924 S**

(45) **Date of Patent:** **** Oct. 30, 2012**

(54) **TRANSMISSION FLUSHING ASSEMBLY**

7,191,786 B2 * 3/2007 Awad 134/169 A
2004/0065347 A1 * 4/2004 Awad 134/18
2005/0126271 A1 * 6/2005 Gorski et al. 73/118.1

(75) Inventors: **Eric M. Lombardo**, Cranberry Township, PA (US); **Robert E. Stupak**, Pittsburgh, PA (US); **James Dennis Funk**, Pittsburgh, PA (US); **Christopher B. Bortnik**, Warrendale, PA (US); **Steven Evanovich**, Pittsburgh, PA (US); **Benjamin Chan**, Rocky River, OH (US)

* cited by examiner

Primary Examiner — Patricia Palasik
(74) *Attorney, Agent, or Firm* — Blynn L. Shideler; Krisanne Shideler; BLK Law Group

(73) Assignee: **Schroeder Industries, LLC**, Leetsdale, PA (US)

(57) **CLAIM**
The ornamental transmission flushing assembly, as shown.

(**) Term: **14 Years**

DESCRIPTION

(21) Appl. No.: **29/337,837**

(22) Filed: **May 29, 2009**

Related U.S. Application Data

(63) Continuation-in-part of application No. 29/303,966, filed on Feb. 21, 2008, now abandoned.

(51) **LOC (9) Cl.** **15-99**

(52) **U.S. Cl.** **D15/150**

(58) **Field of Classification Search** D15/150, D15/151, 152; D34/12; 123/198 A; 134/16.9 A; 141/65, 98, 114; 184/1.5, 29, 41, 105.1, 184/106, 108; 220/571; 222/249, 334, 386.5
See application file for complete search history.

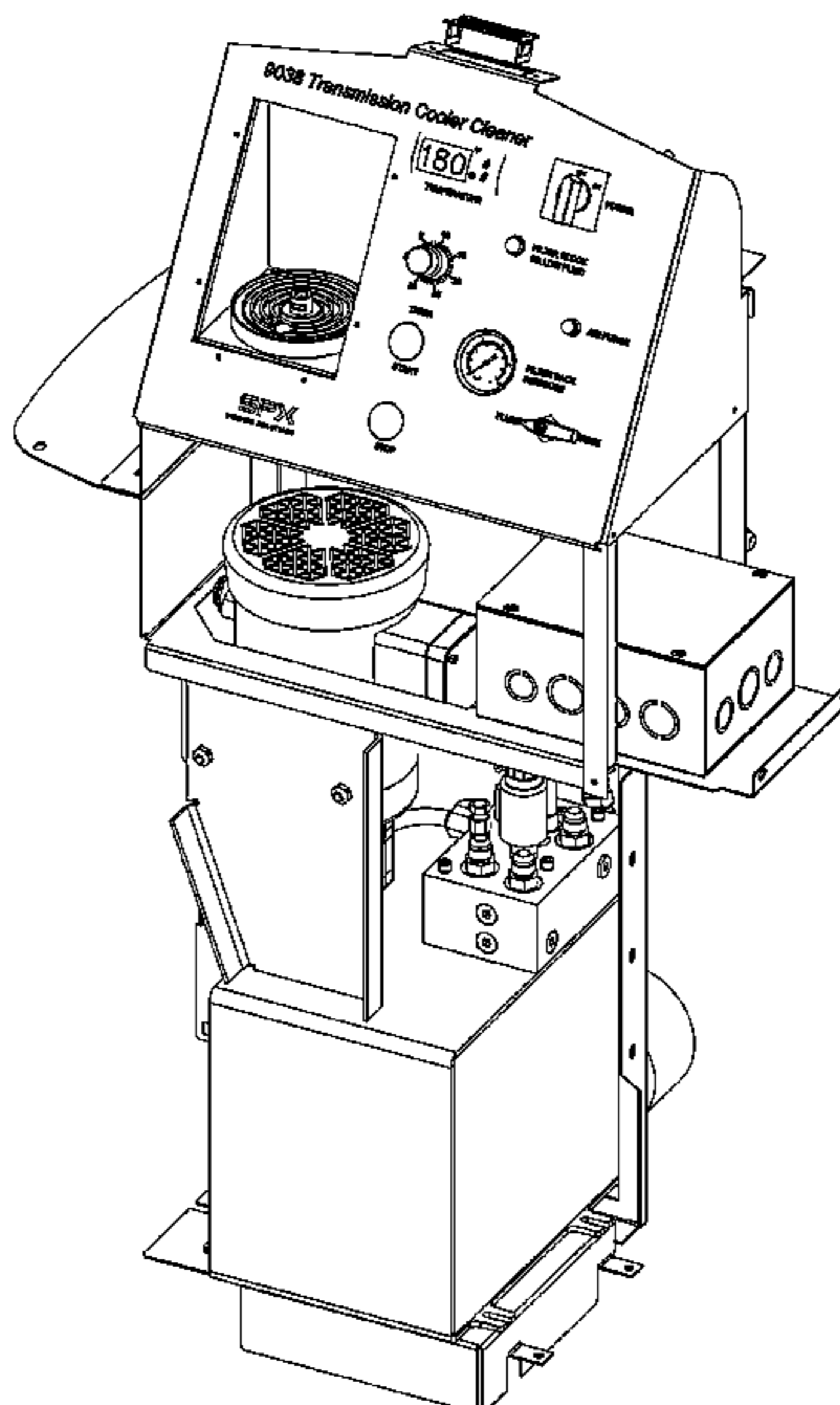
FIG. 1 is a front perspective view of an ornamental transmission flushing assembly according one embodiment of the present invention;
FIG. 2 is a left elevation side view of the transmission flushing assembly of FIG. 1;
FIG. 3 is a rear elevation view of the transmission flushing assembly of FIG. 1;
FIG. 4 is a right elevation side view of the transmission flushing assembly of FIG. 1;
FIG. 5 is a top plan view of the transmission flushing assembly of FIG. 1;
FIG. 6 is a front perspective view of an ornamental transmission flushing assembly according a second embodiment of the present invention;
FIG. 7 is a left elevation side view of the transmission flushing assembly of FIG. 6;
FIG. 8 is a rear elevation view of the transmission flushing assembly of FIG. 6;
FIG. 9 is a right elevation side view of the transmission flushing assembly of FIG. 6; and,
FIG. 10 is a top plan view of the transmission flushing assembly of FIG. 6.
The broken lines in the drawings depict unclaimed environmental subject matter.

(56) **References Cited**

U.S. PATENT DOCUMENTS

D365,583 S *	12/1995	Viken	D15/151
D368,726 S *	4/1996	Few	D15/151
D417,879 S *	12/1999	Few	D15/151
D477,620 S *	7/2003	Few	D15/151
D478,107 S *	8/2003	Few	D15/151
D497,624 S *	10/2004	Few	D15/151
D504,449 S *	4/2005	Butchko	D15/151
7,082,814 B2 *	8/2006	Gorski et al.	73/115.02

1 Claim, 10 Drawing Sheets



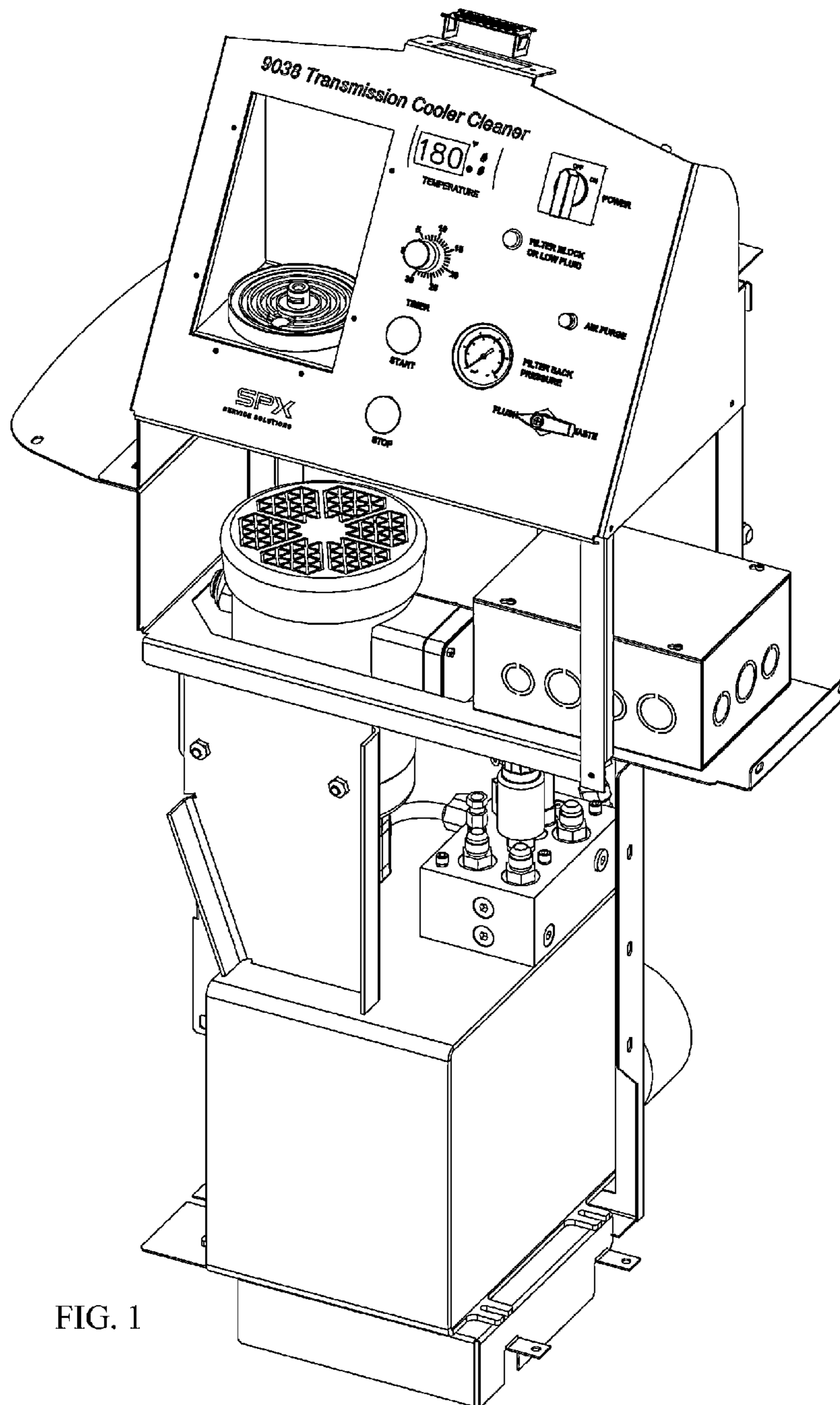


FIG. 1

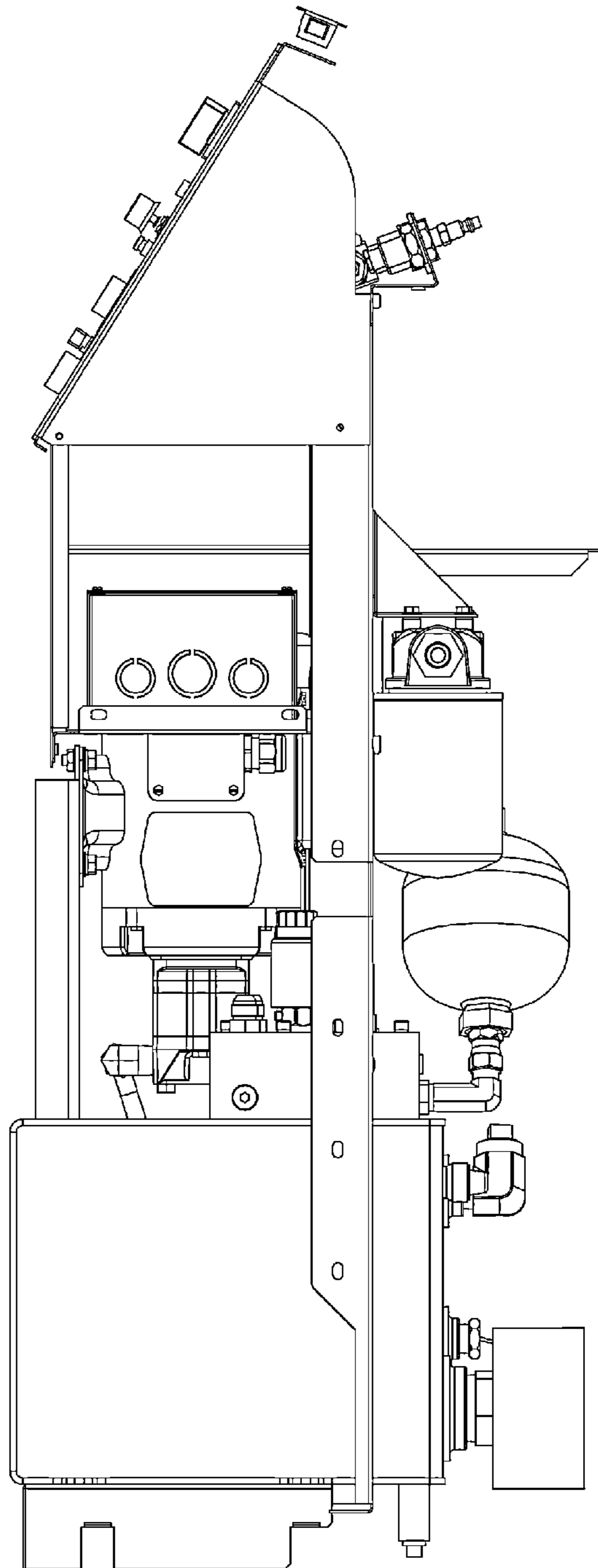
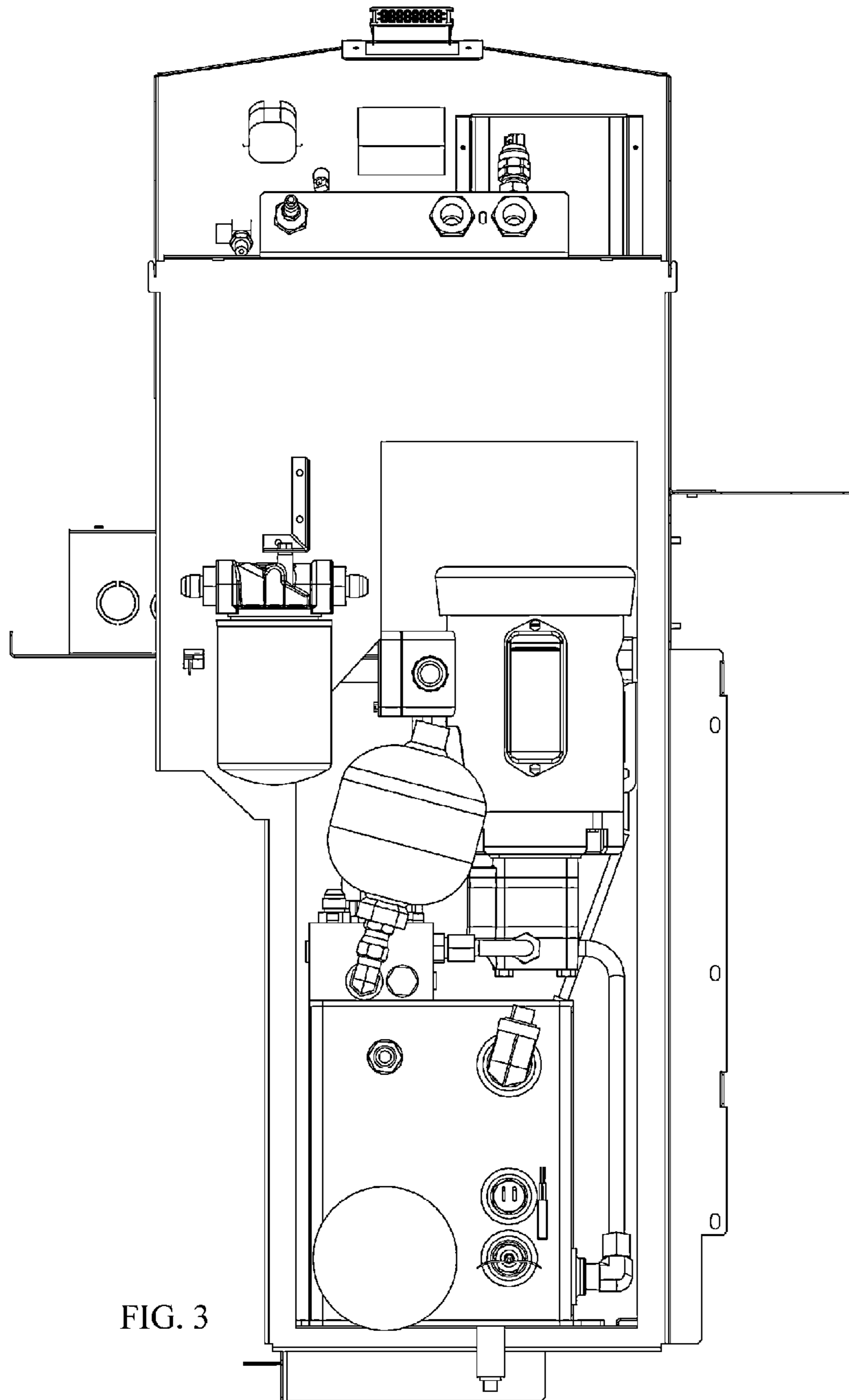


FIG. 2



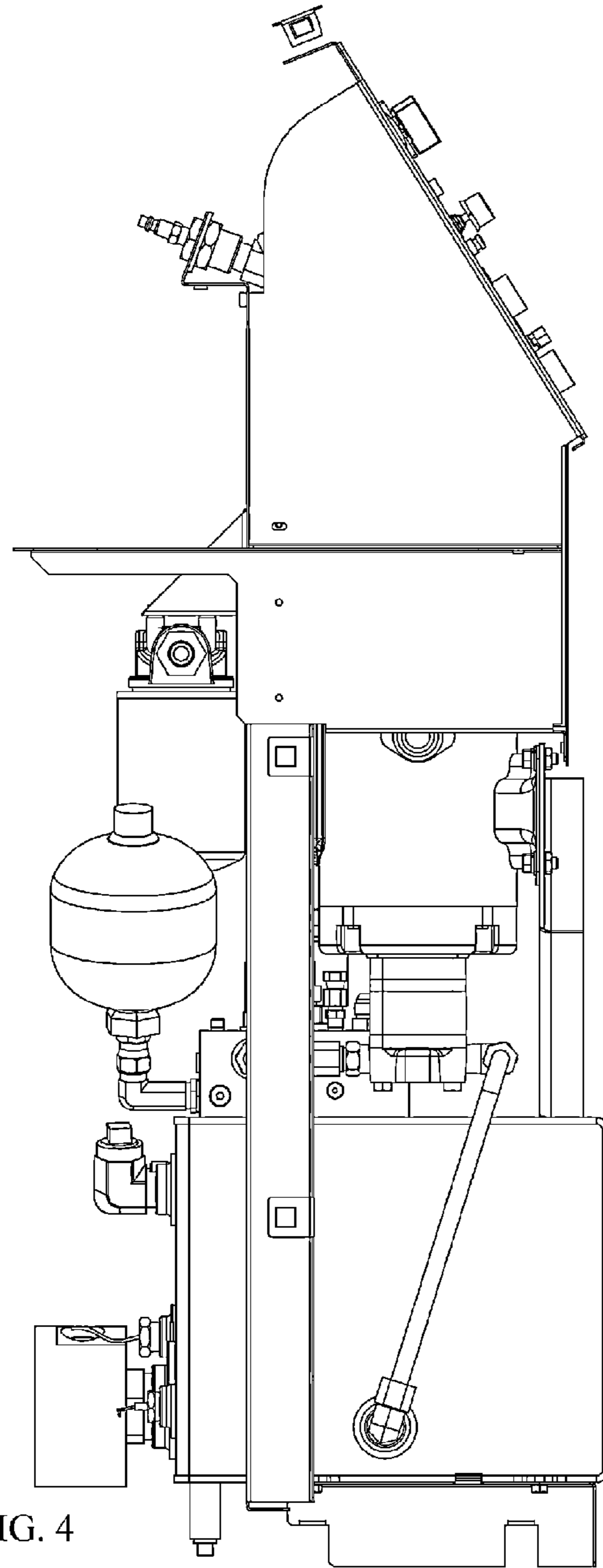


FIG. 4

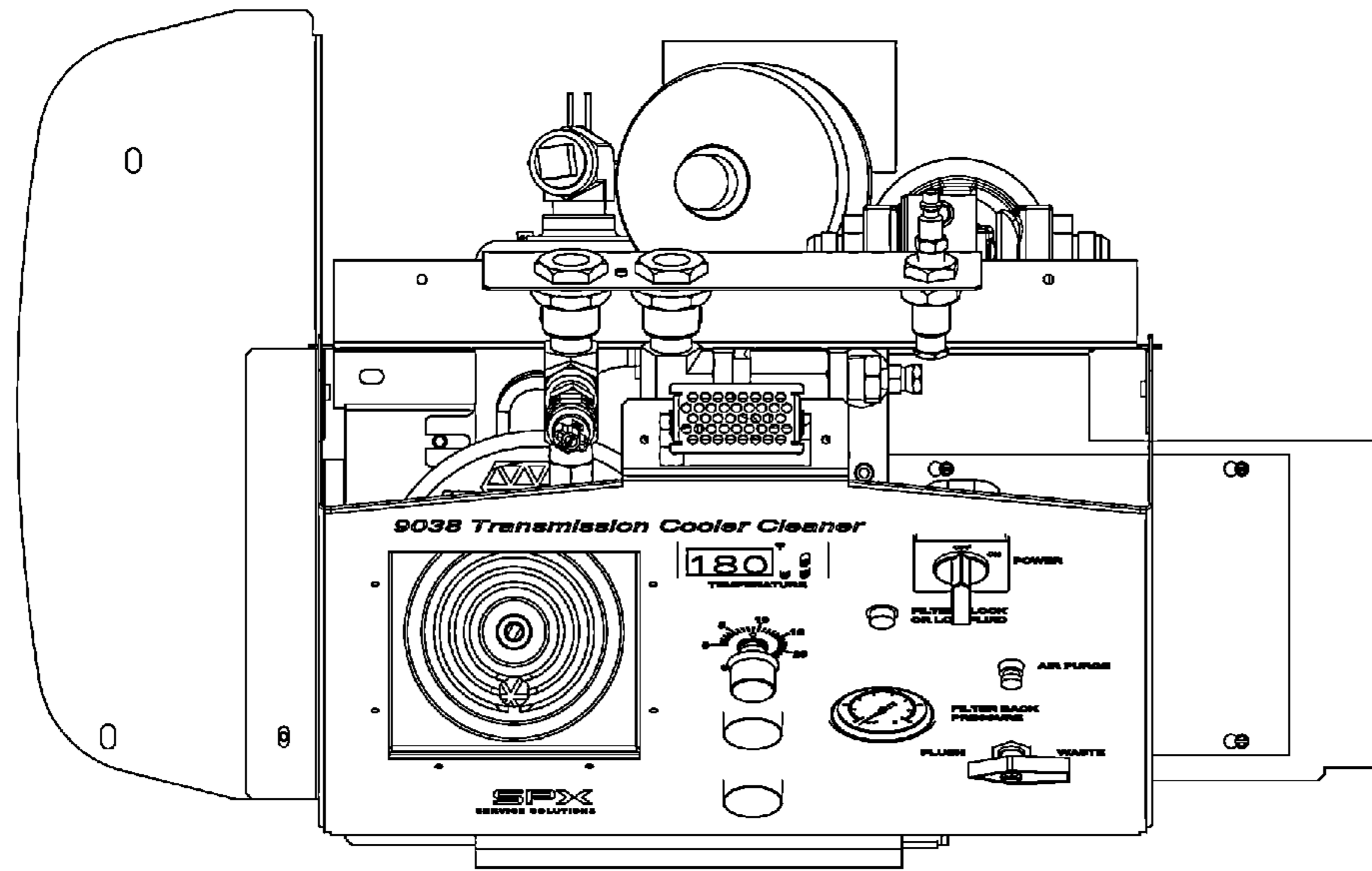


FIG. 5

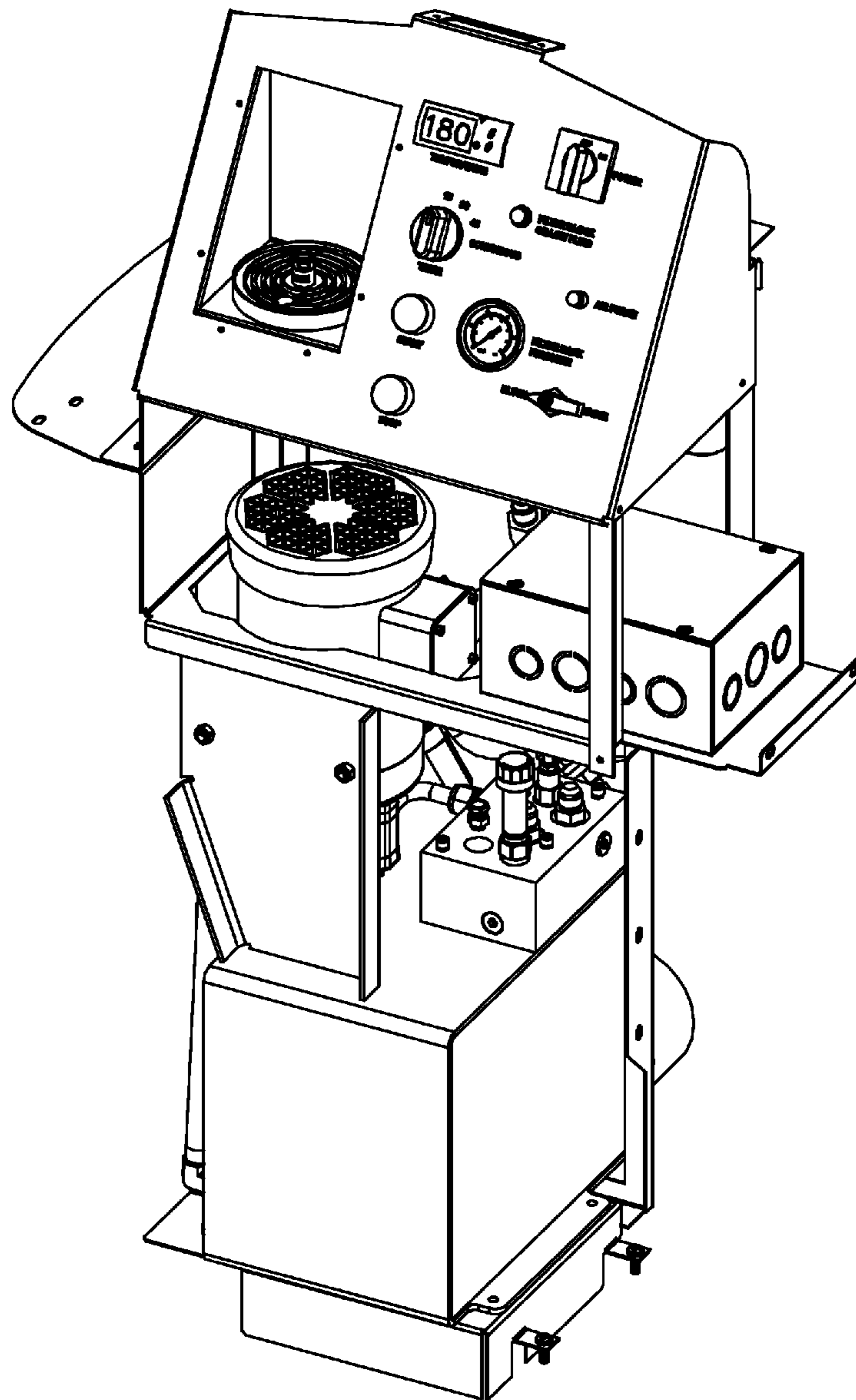


FIGURE 6

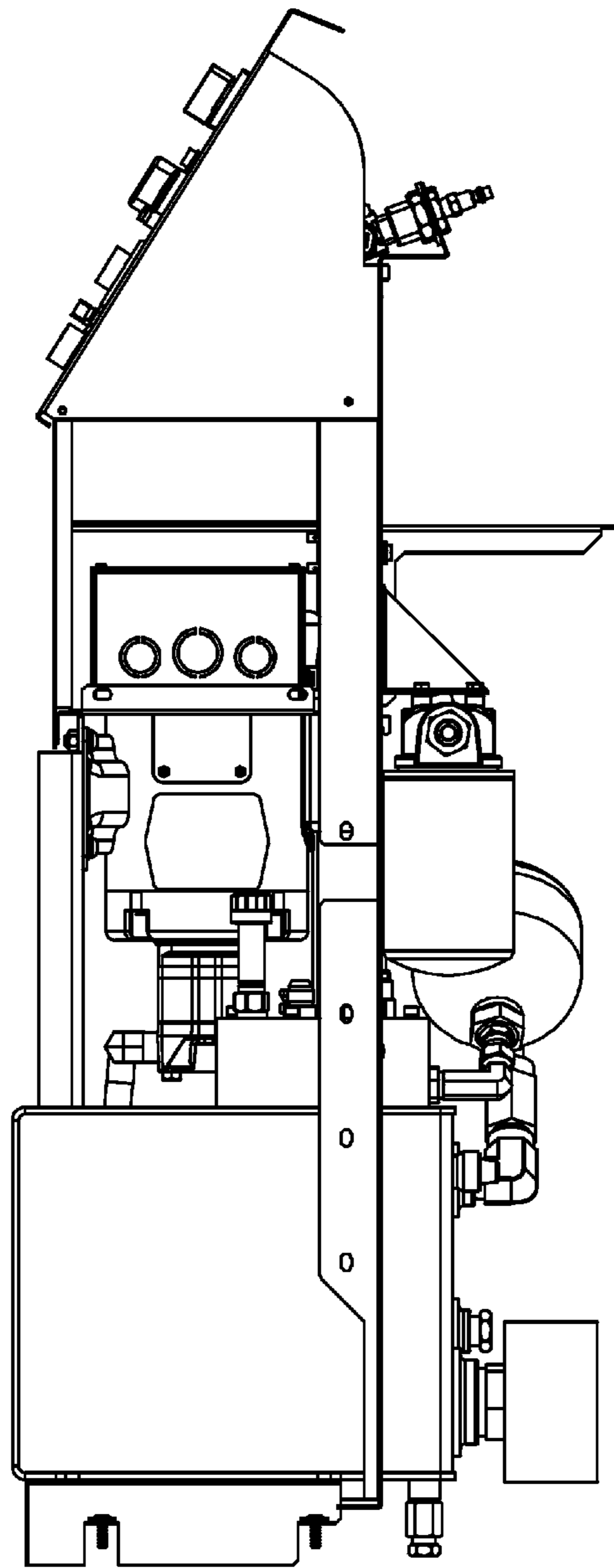


FIGURE 7

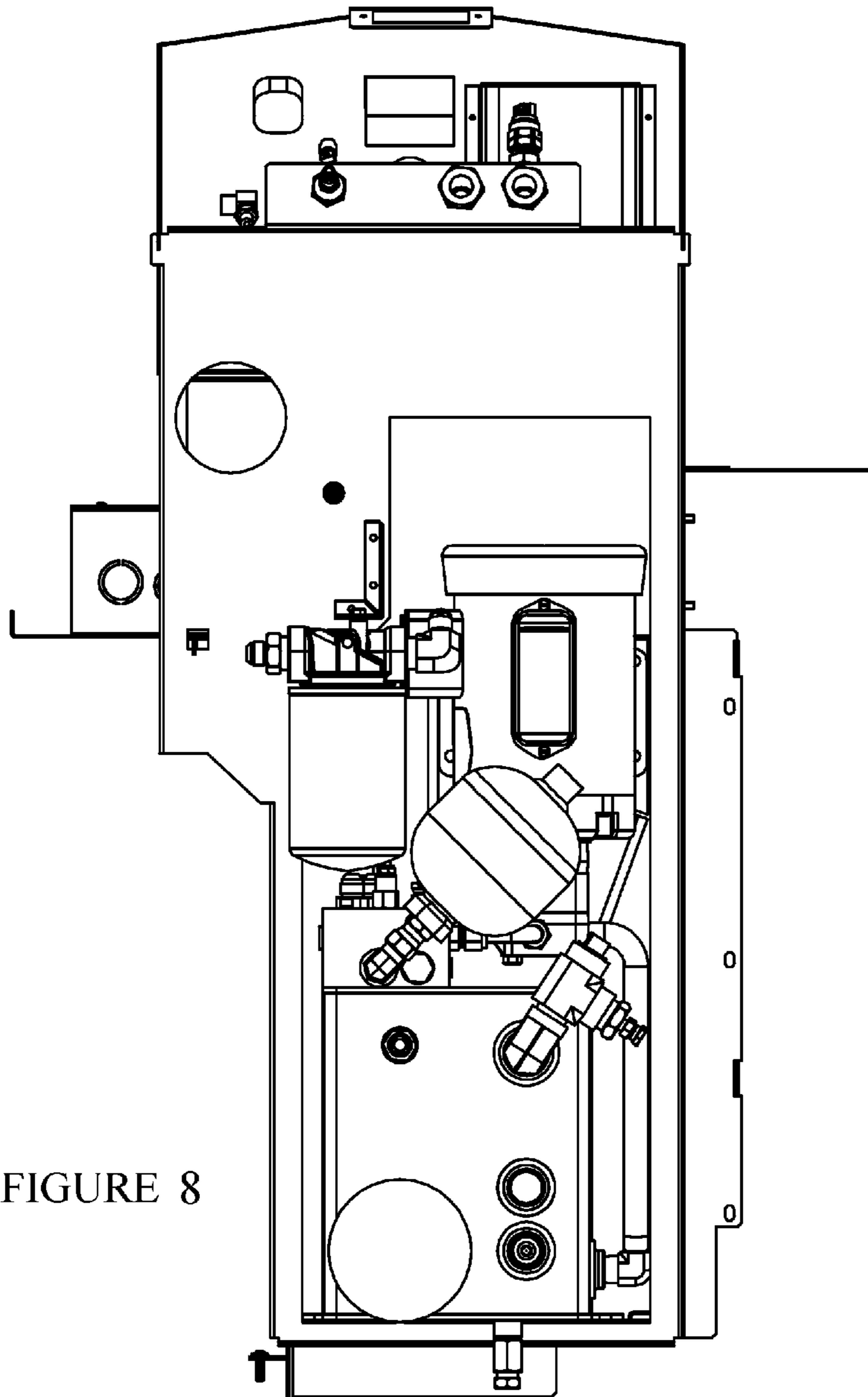


FIGURE 8

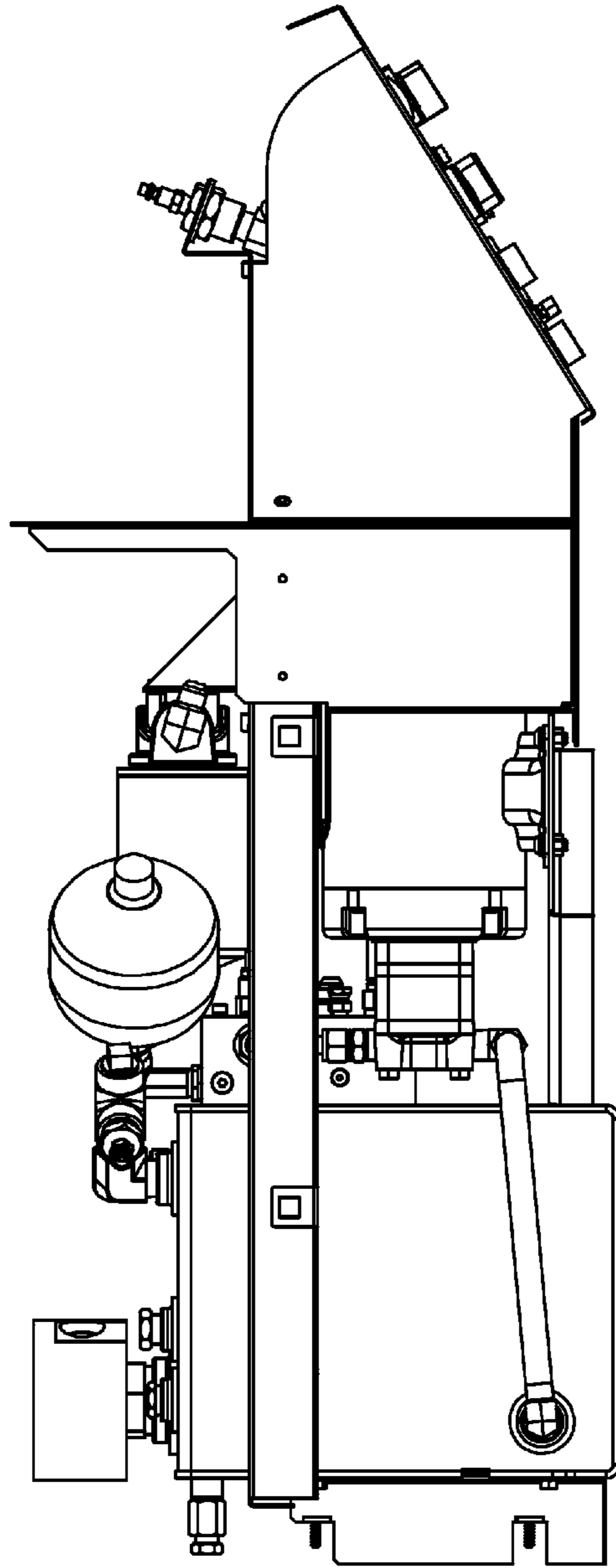


FIGURE 9

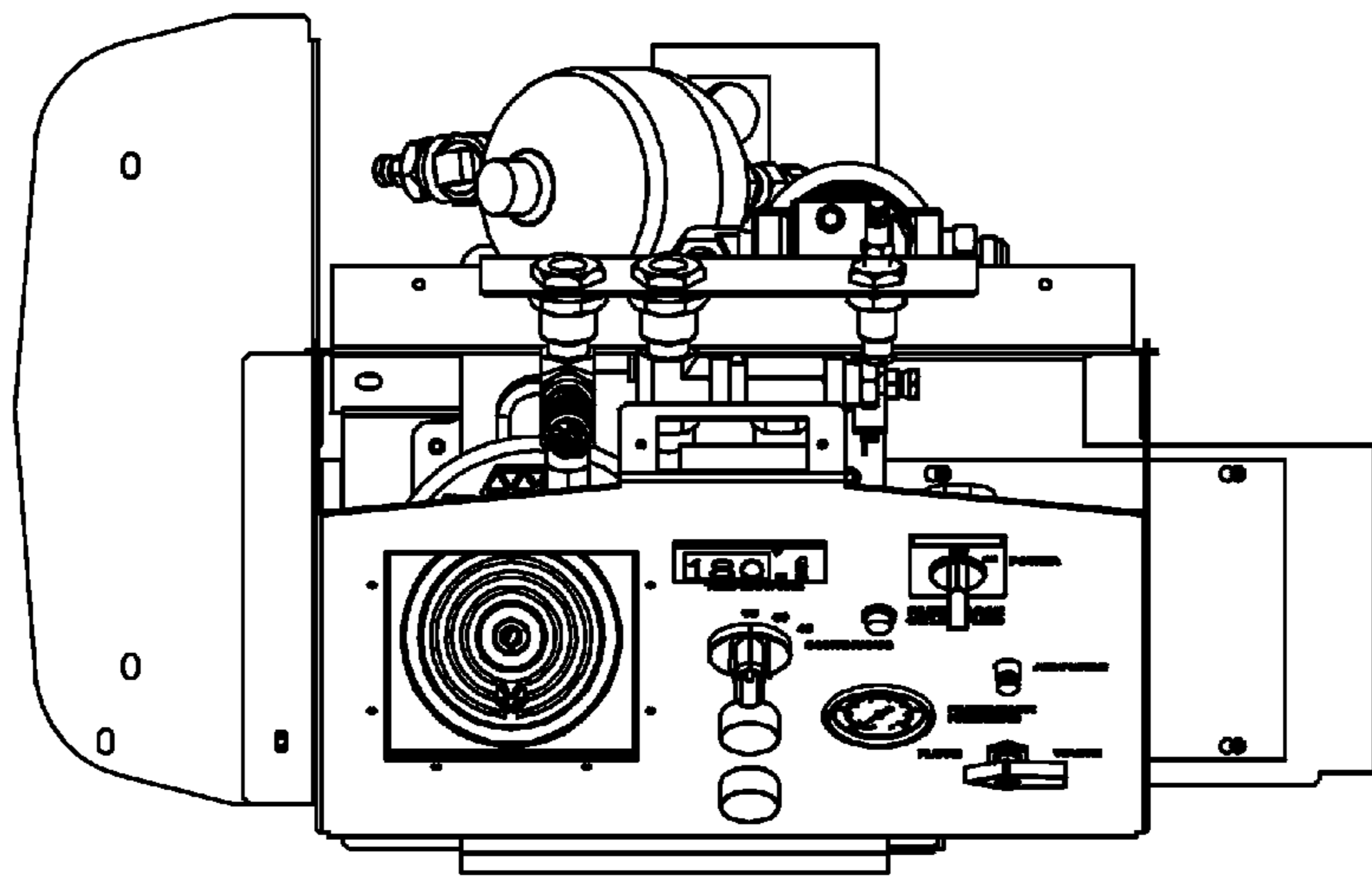


FIGURE 10