



US00D669922S

(12) **United States Design Patent**  
**Eliason**

(10) **Patent No.:** **US D669,922 S**

(45) **Date of Patent:** **\*\* Oct. 30, 2012**

(54) **WET ABRASIVE BLASTING SYSTEM**

(75) Inventor: **Keith Eliason**, Virginia Beach, VA (US)

(73) Assignee: **Ecoquip, Inc.**, Virginia Beach, VA (US)

(\*\*) Term: **14 Years**

(21) Appl. No.: **29/428,428**

(22) Filed: **Jul. 31, 2012**

(51) **LOC (9) Cl.** ..... **15-09**

(52) **U.S. Cl.** ..... **D15/124**

(58) **Field of Classification Search** ..... D15/124,  
D15/125, 126; 51/124, 268, 272, 410, 424,  
51/425, 426, 438; 451/38, 39, 40, 75, 87,  
451/88, 89, 91, 99, 451

See application file for complete search history.

(56) **References Cited**

**U.S. PATENT DOCUMENTS**

3,516,205	A *	6/1970	Thomson	.....	451/87
D246,108	S *	10/1977	Ashworth	.....	D15/124
D250,196	S *	11/1978	Caccioli et al.	.....	D15/124
4,125,969	A *	11/1978	Easton	.....	451/39
D323,661	S *	2/1992	Zwicker	.....	D15/124
5,827,114	A *	10/1998	Yam et al.	.....	451/75
5,947,800	A *	9/1999	Fring	.....	451/99
6,099,395	A *	8/2000	Guseman	.....	451/75
7,112,120	B2 *	9/2006	Rivir et al.	.....	451/38
D534,557	S *	1/2007	Storer et al.	.....	D15/124
D634,759	S *	3/2011	Farrow	.....	D15/27
D653,685	S *	2/2012	Farrow	.....	D15/124

(Continued)

*Primary Examiner* — Patricia Palasik

(74) *Attorney, Agent, or Firm* — Bernard G. Pike; Pike IP Law, PLLC

(57) **CLAIM**

The ornamental design for a wet abrasive blasting system, as shown and described.

**DESCRIPTION**

FIG. 1 is a perspective view of a first embodiment of a wet abrasive blasting unit;

FIG. 2 is a left side view of the first embodiment of the wet abrasive blasting unit of FIG. 1;

FIG. 3 is a front view of the first embodiment of the wet abrasive blasting unit of FIG. 1;

FIG. 4 is a rear view of the first embodiment of the wet abrasive blasting unit of FIG. 1;

FIG. 5 is a right side view of the first embodiment of the wet abrasive blasting unit of FIG. 1;

FIG. 6 is a top view of the first embodiment of the wet abrasive blasting unit of FIG. 1;

FIG. 7 is a bottom view of the first embodiment of the wet abrasive blasting unit of FIG. 1;

FIG. 8 is a perspective view of a second embodiment of a wet abrasive blasting unit;

FIG. 9 is a left side view of the second embodiment of the wet abrasive blasting unit of FIG. 8;

FIG. 10 is a front view of the second embodiment of the wet abrasive blasting unit of FIG. 8;

FIG. 11 is a rear view of the second embodiment of the wet abrasive blasting unit of FIG. 8;

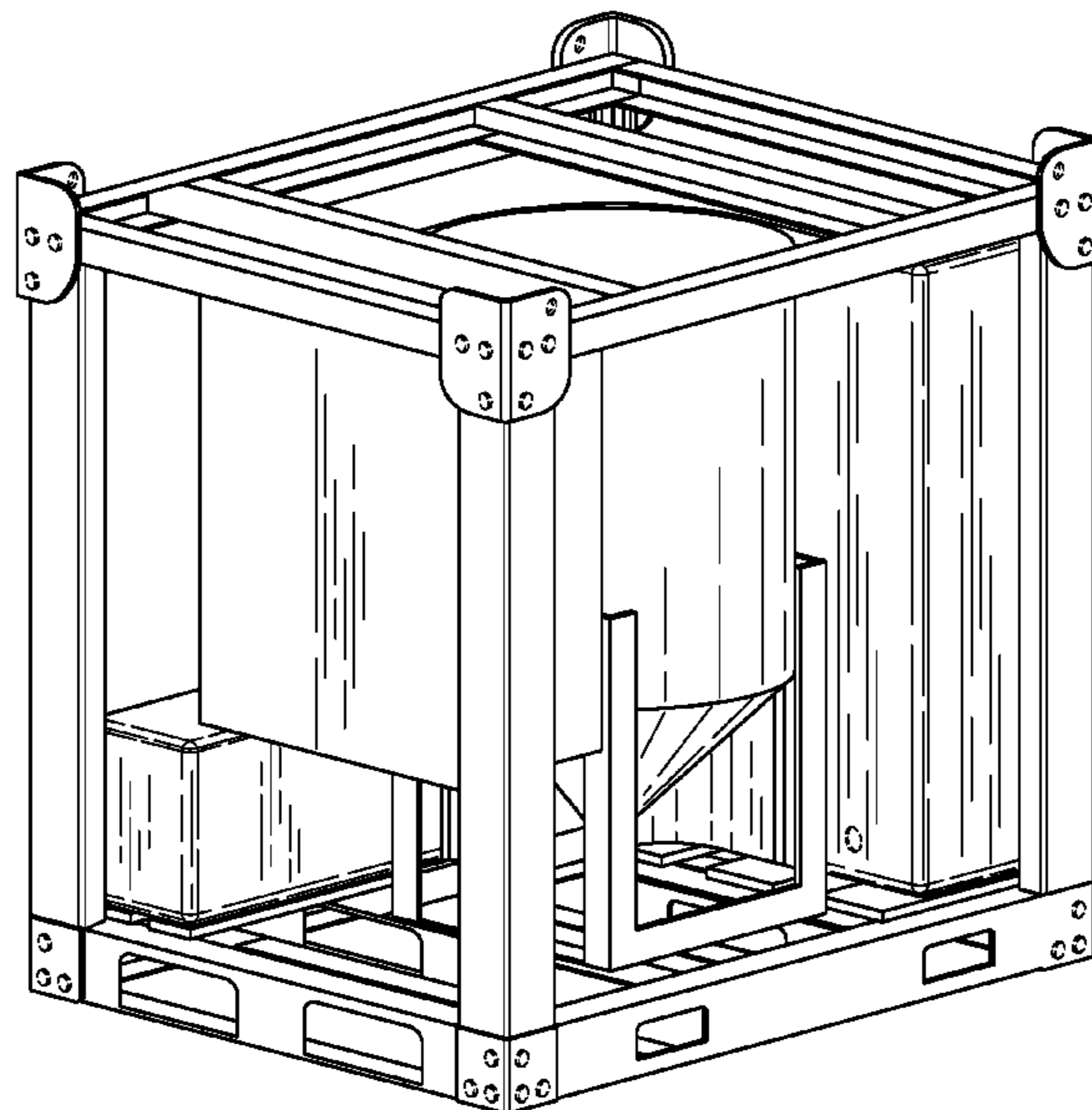
FIG. 12 is a right side view of the second embodiment of the wet abrasive blasting unit of FIG. 8;

FIG. 13 is a top view of the second embodiment of the wet abrasive blasting unit of FIG. 8; and,

FIG. 14 is a bottom view of the second embodiment of the wet abrasive blasting unit of FIG. 8.

Portions of the figures shown in broken, dashed lines illustrate the environment of the claimed ornamental features of the wet abrasive blasting unit and do not form any part of the ornamental design.

**1 Claim, 14 Drawing Sheets**



# US D669,922 S

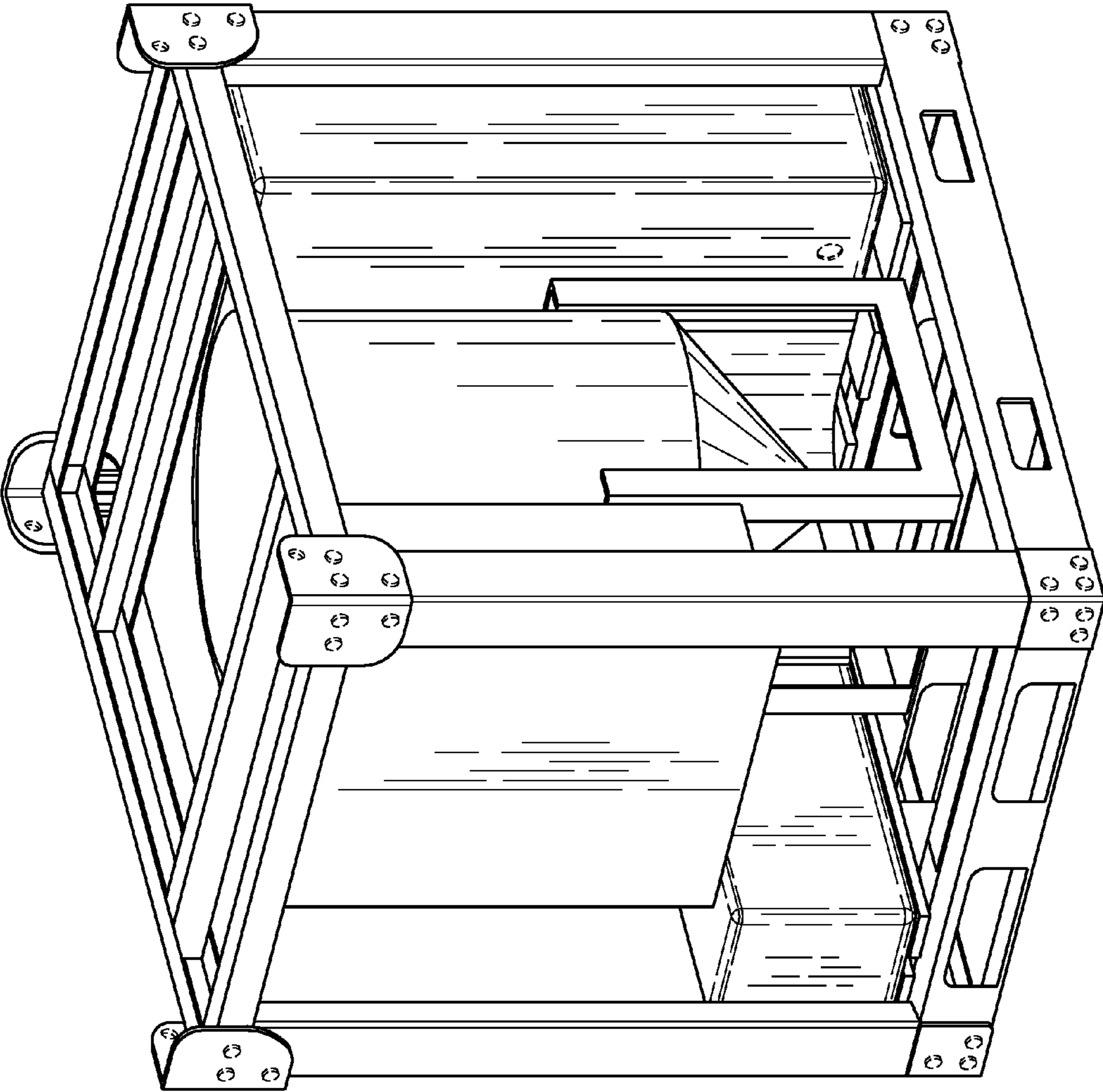
Page 2

---

U.S. PATENT DOCUMENTS			
2003/0124955	A1*	7/2003	Hanson ..... 451/2
2003/0199232	A1*	10/2003	Rivir et al. .... 451/38
2004/0092216	A1*	5/2004	Publ et al. .... 451/87
2012/0015592	A1*	1/2012	Eliason ..... 451/91

\* cited by examiner

Fig. 1



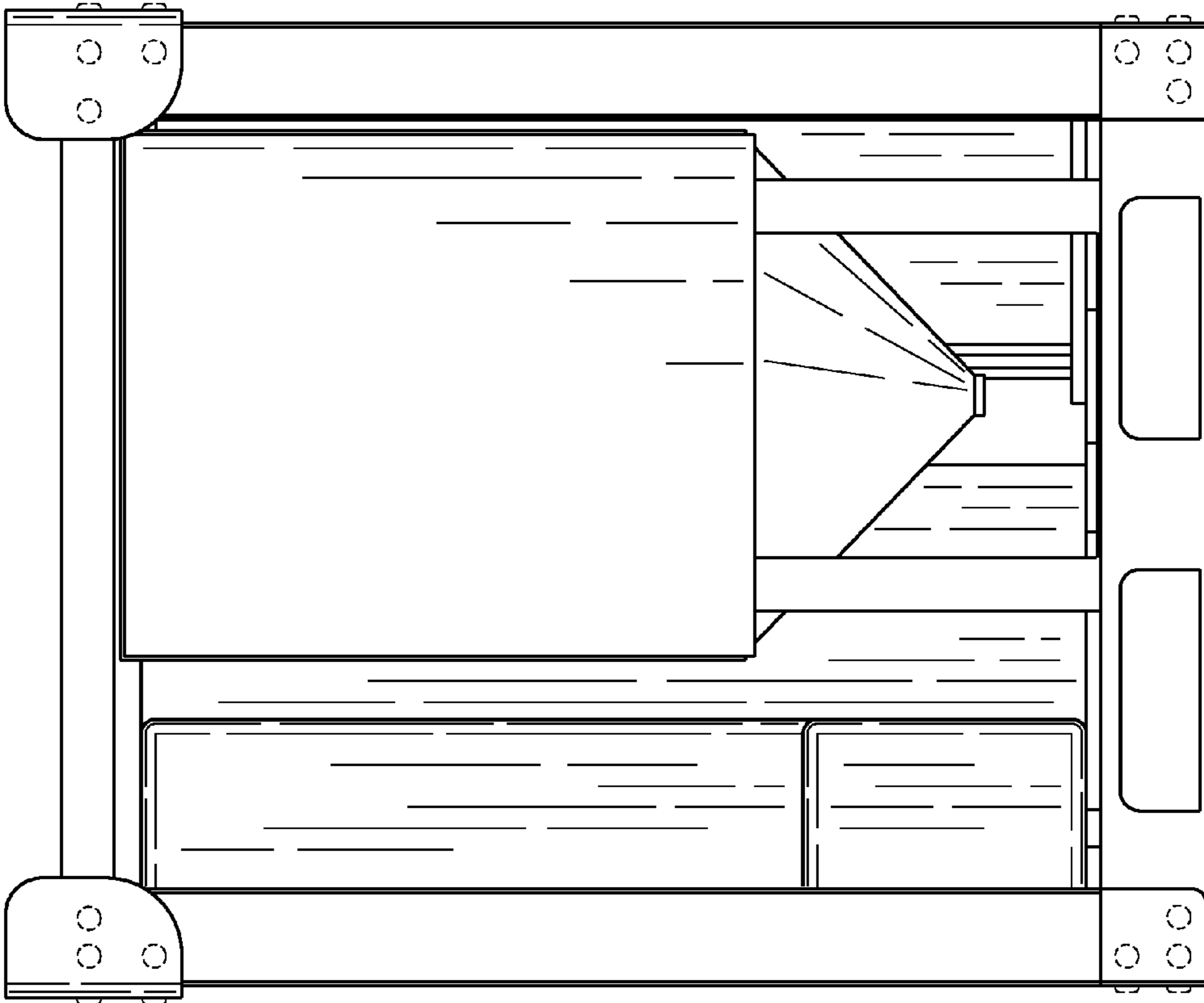


Fig. 2

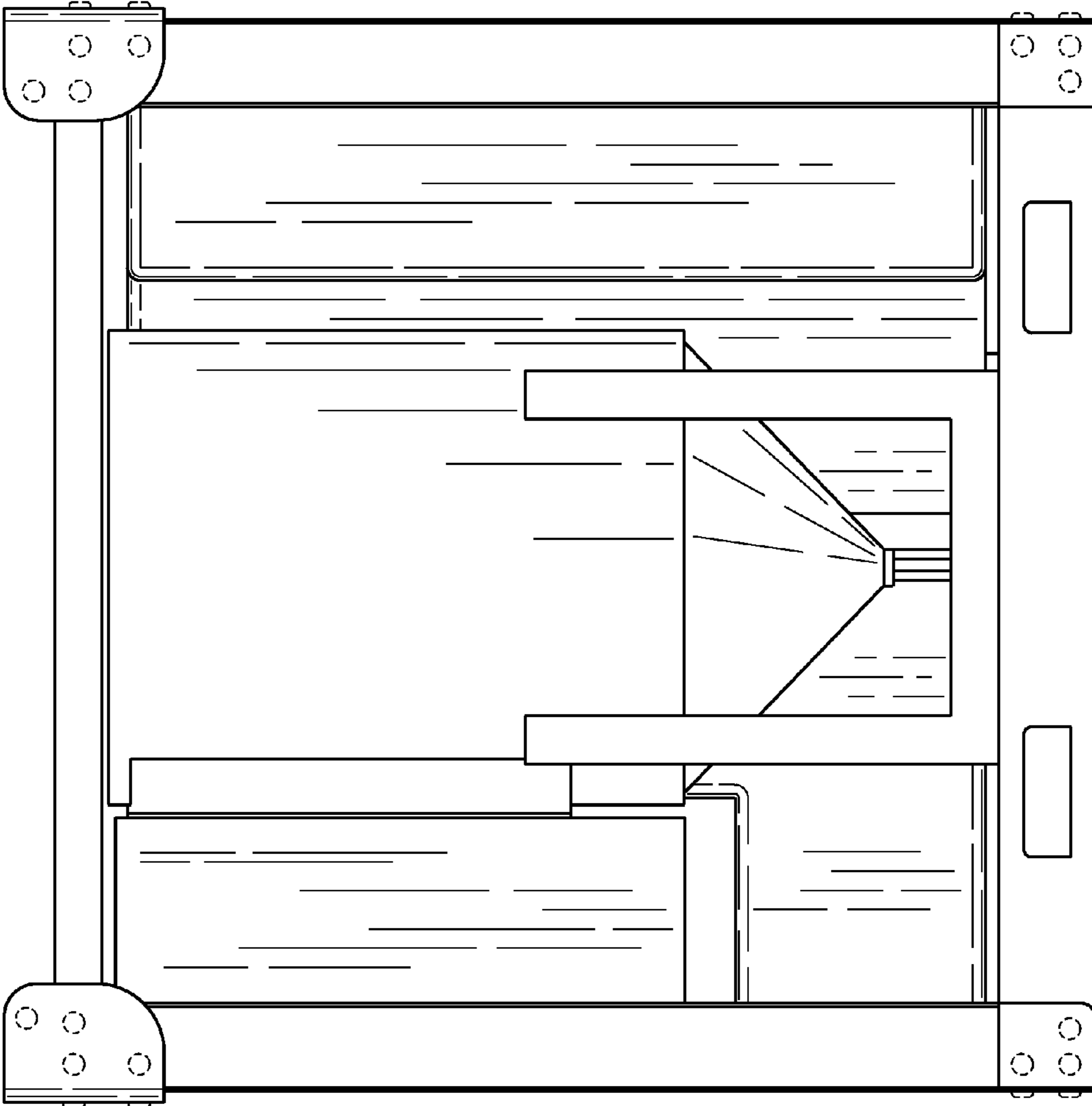


Fig. 3

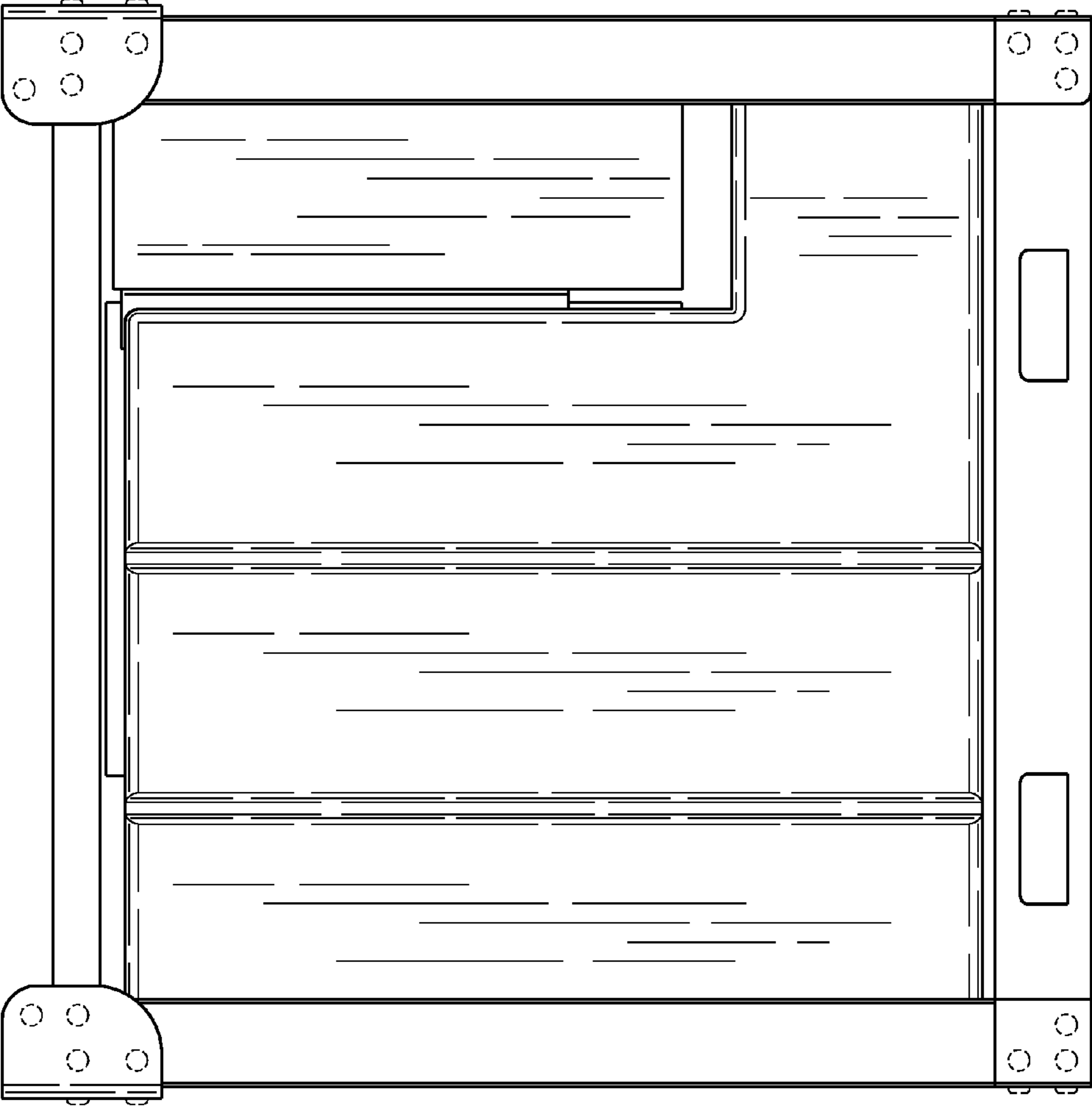


Fig. 4

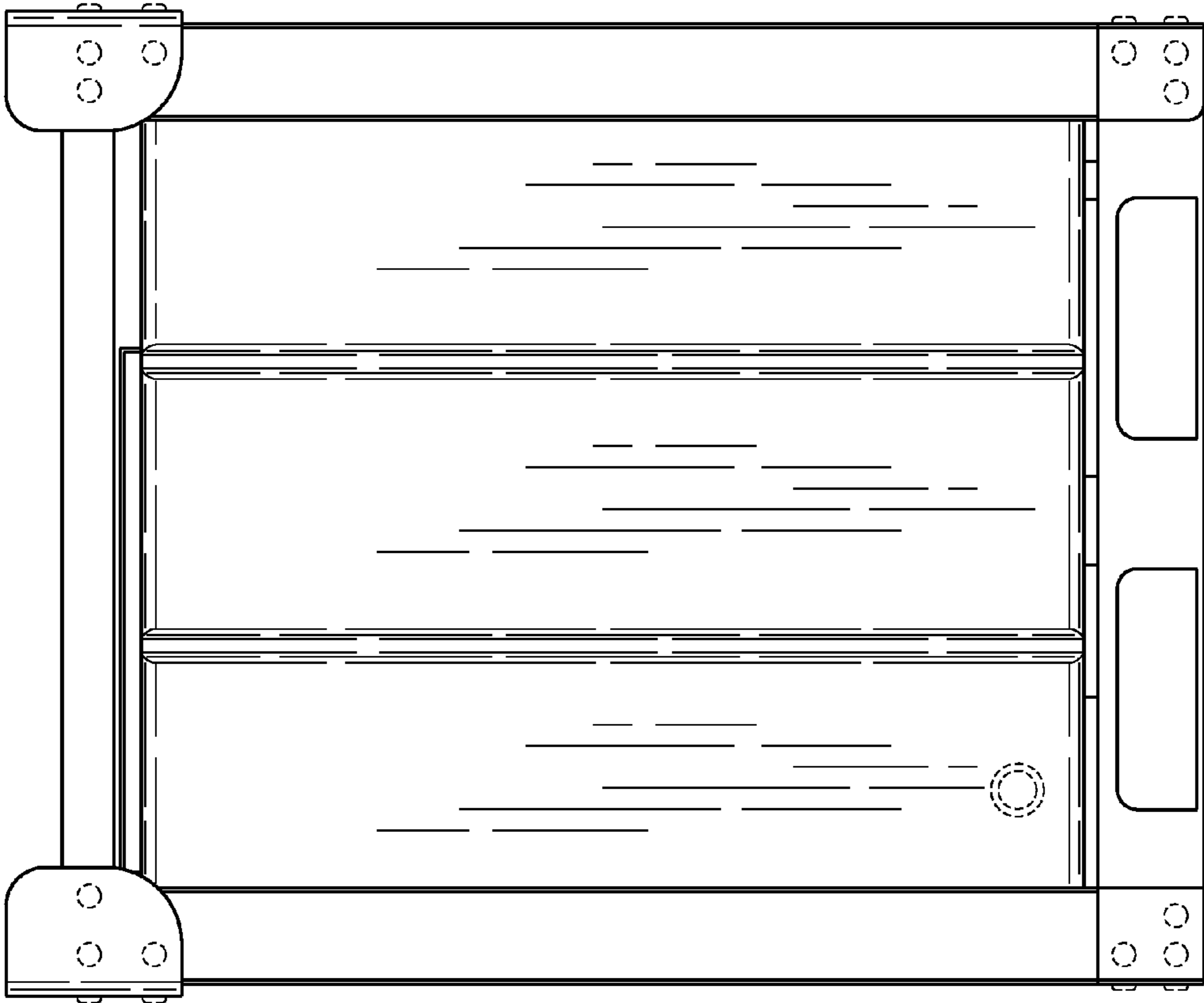


Fig. 5

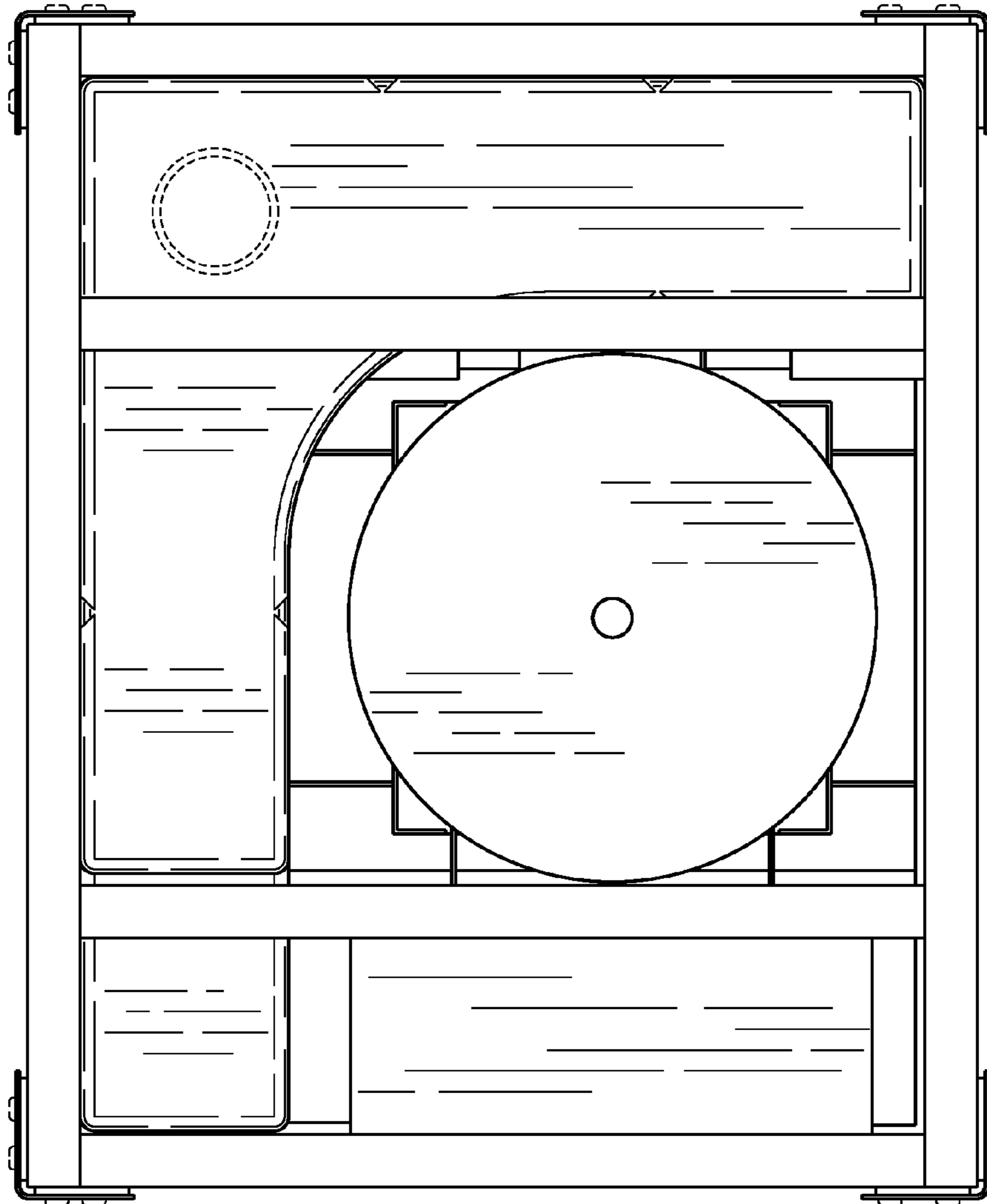


Fig. 6



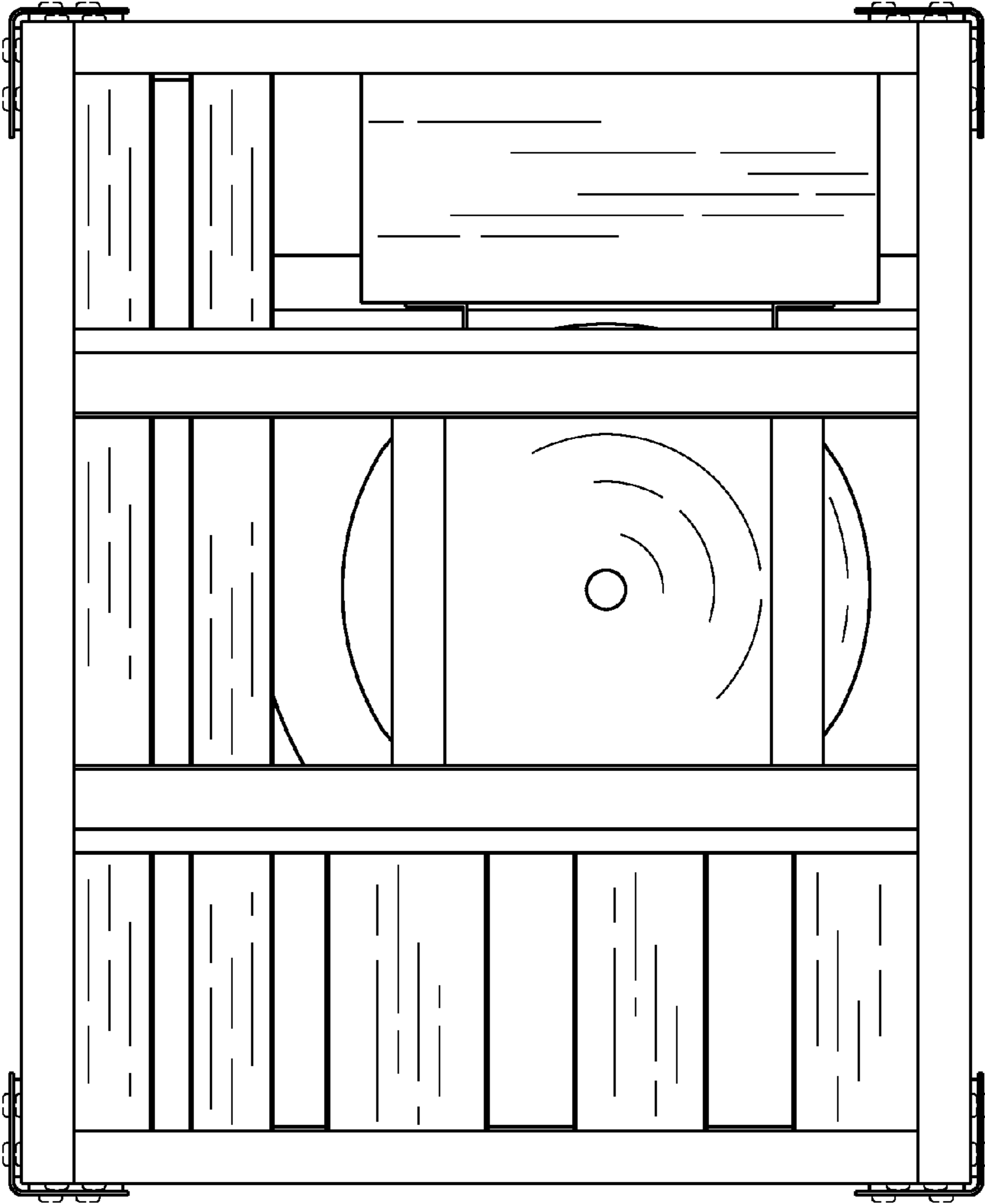
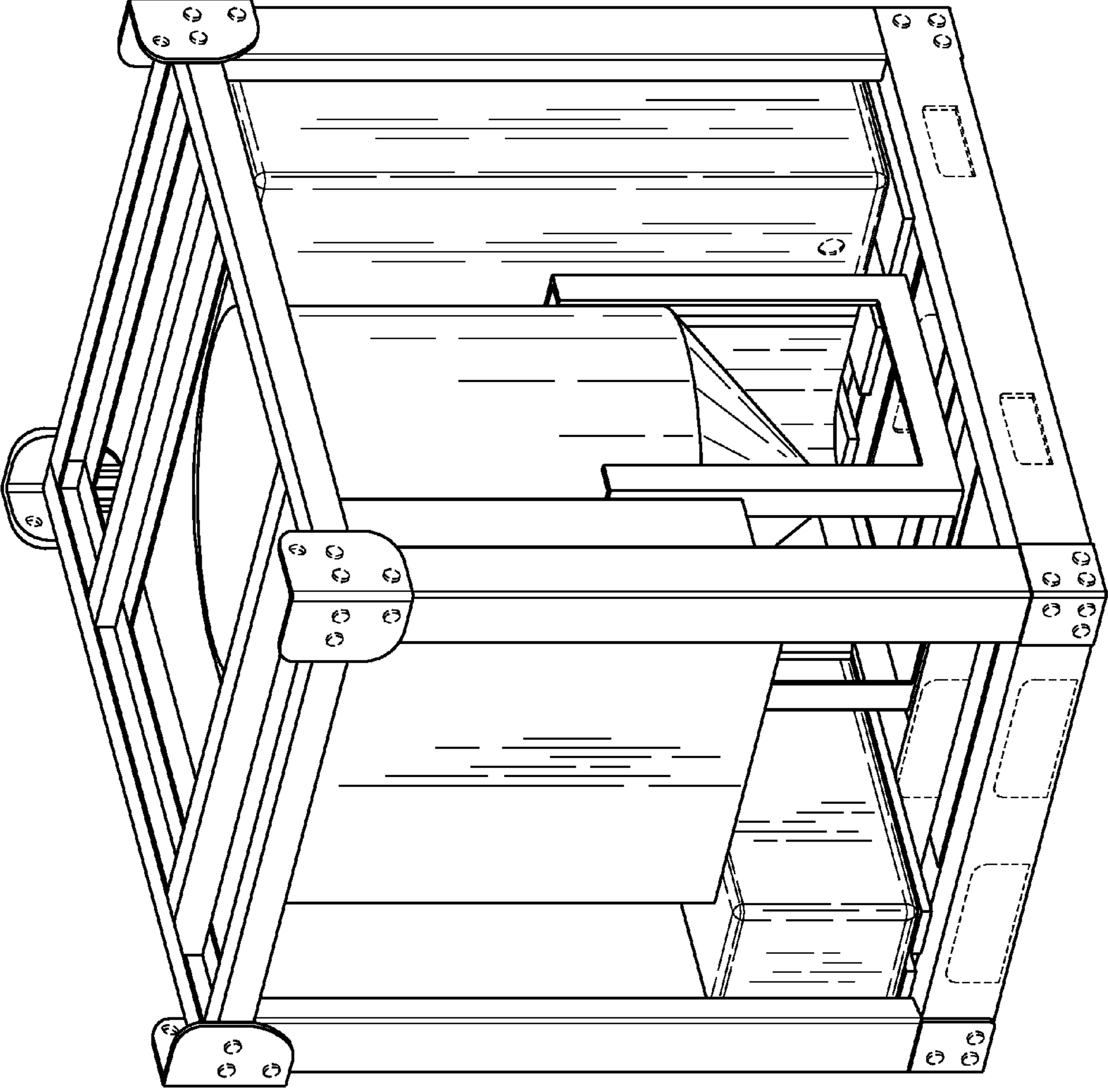


Fig. 7

Fig. 8



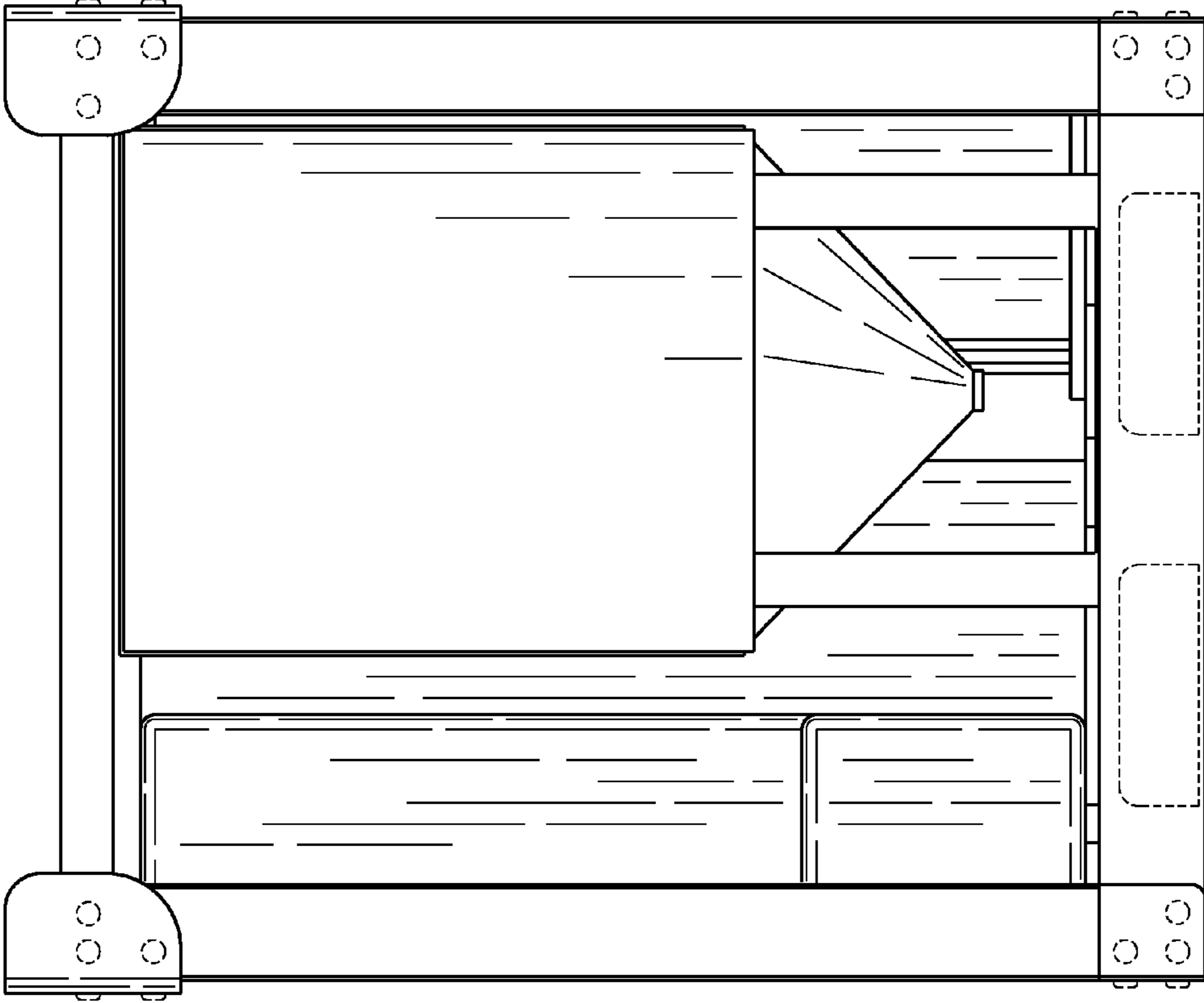


Fig. 9

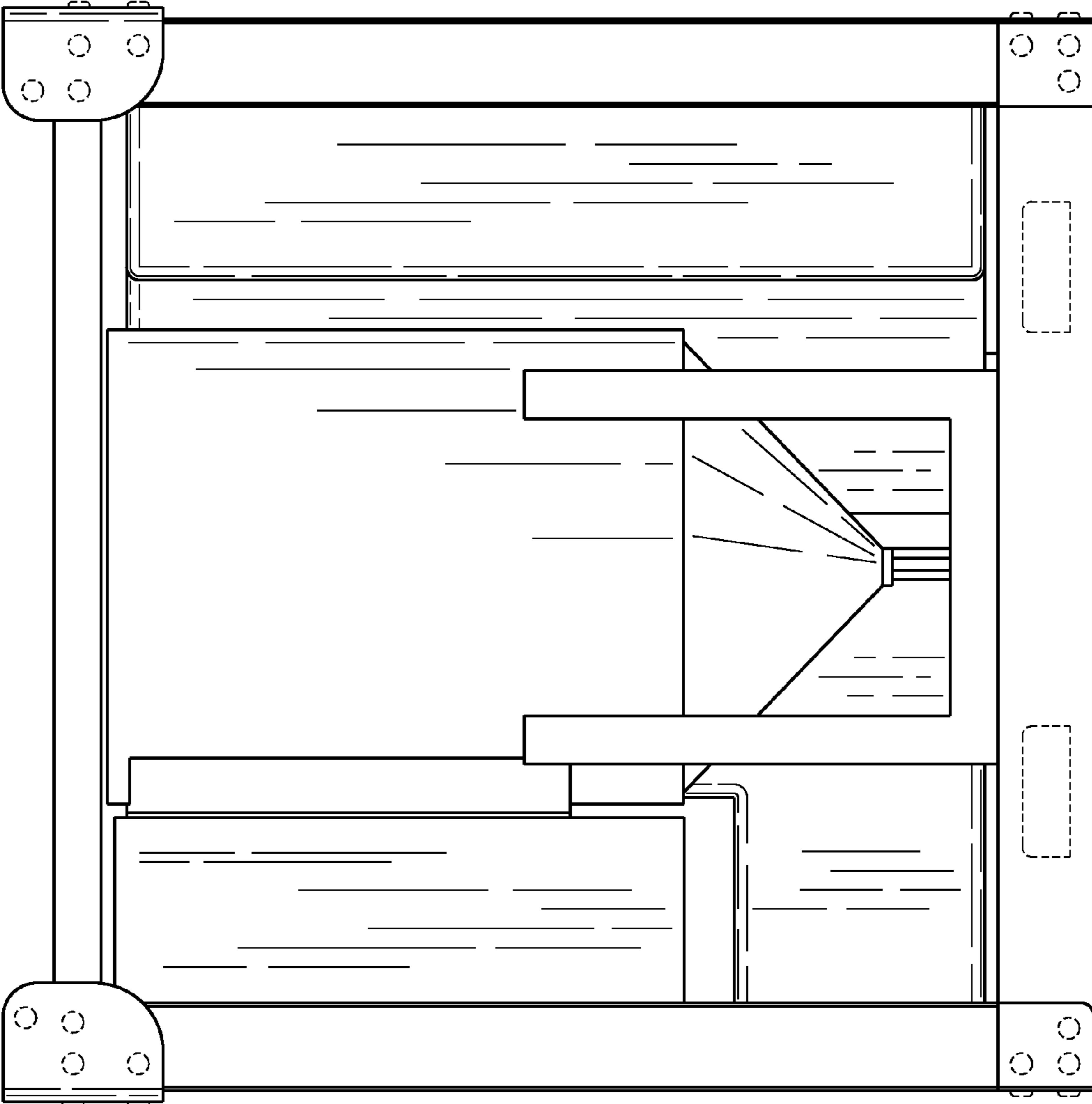


Fig. 10

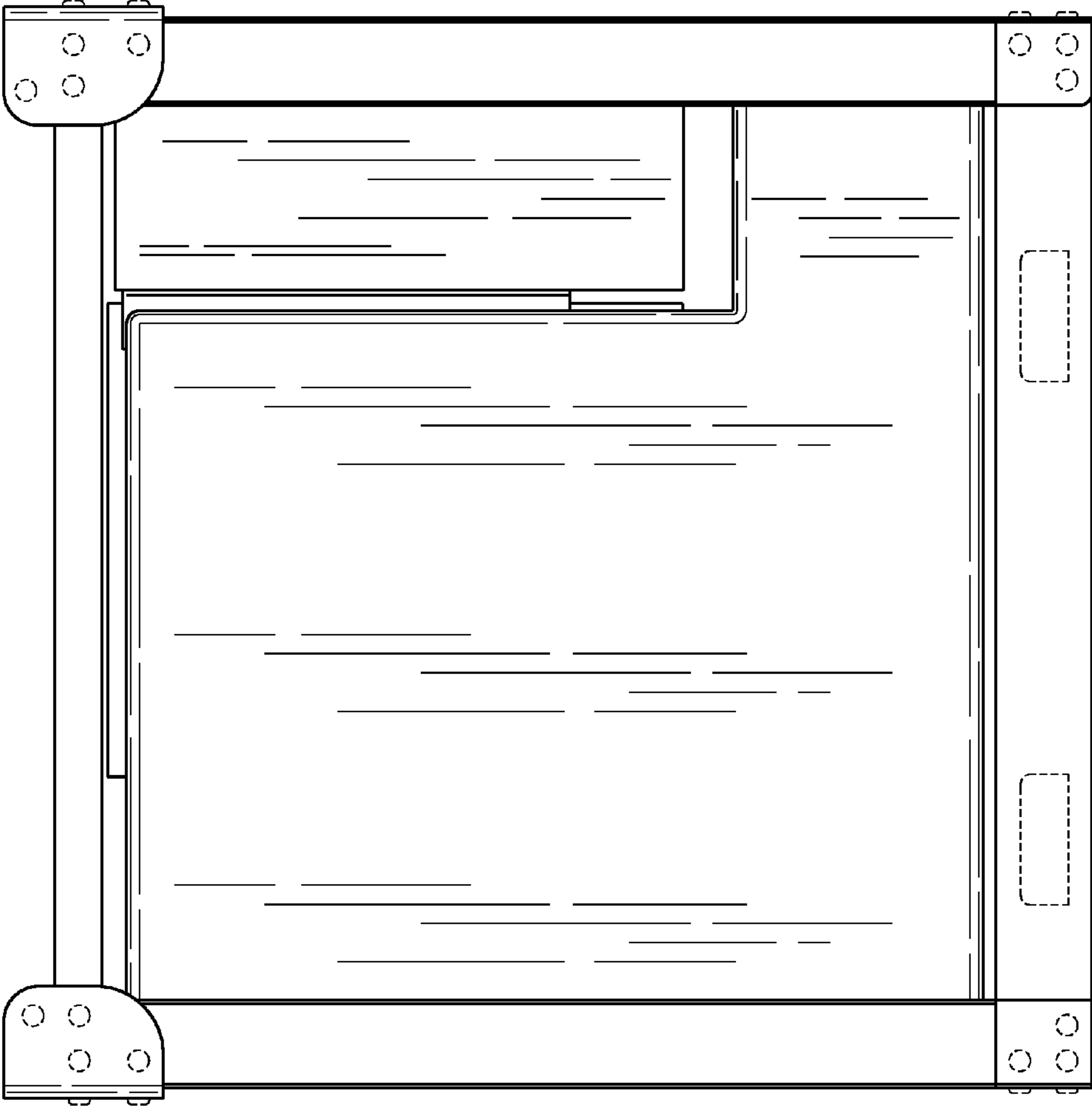


Fig. 11

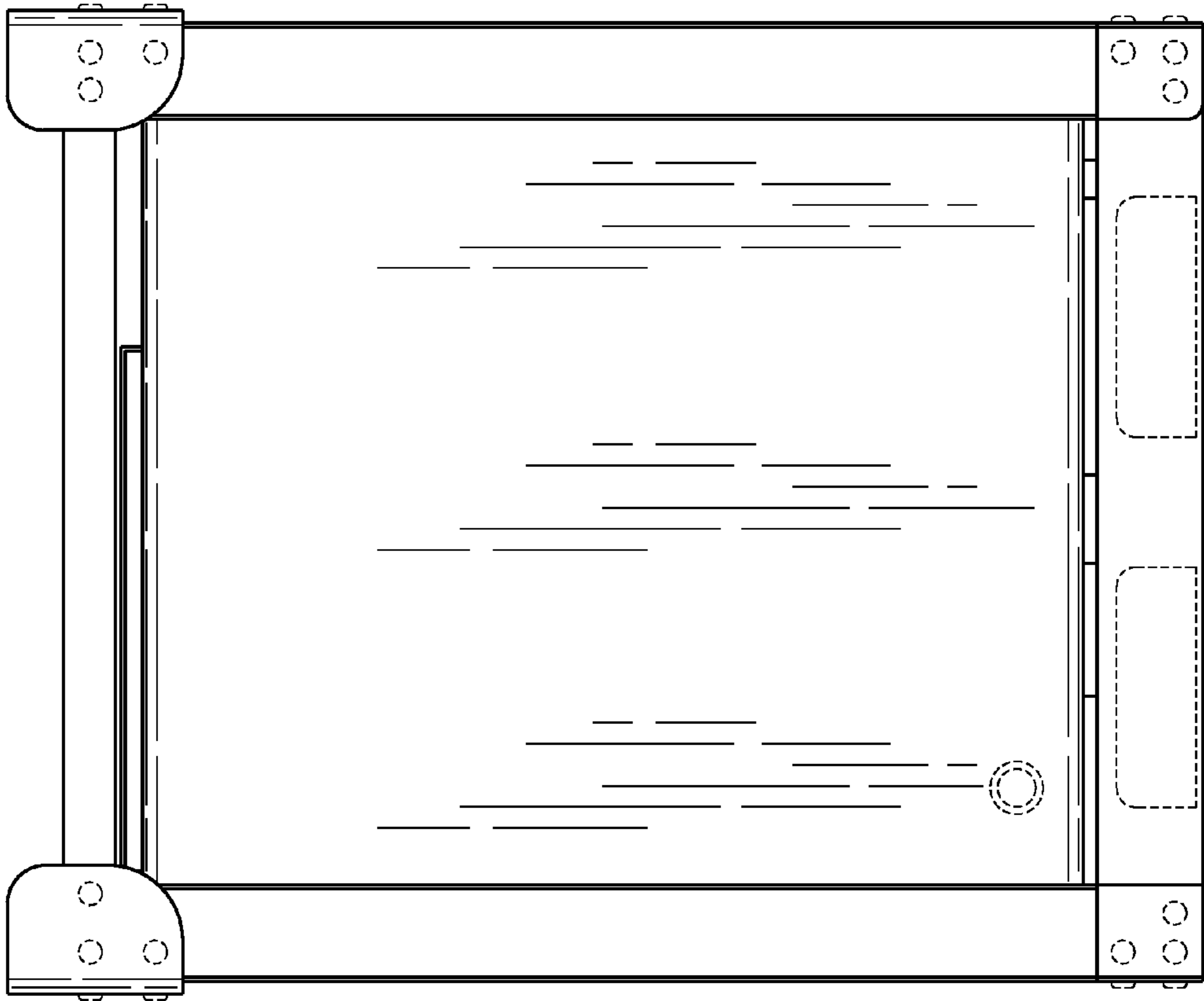


Fig. 12

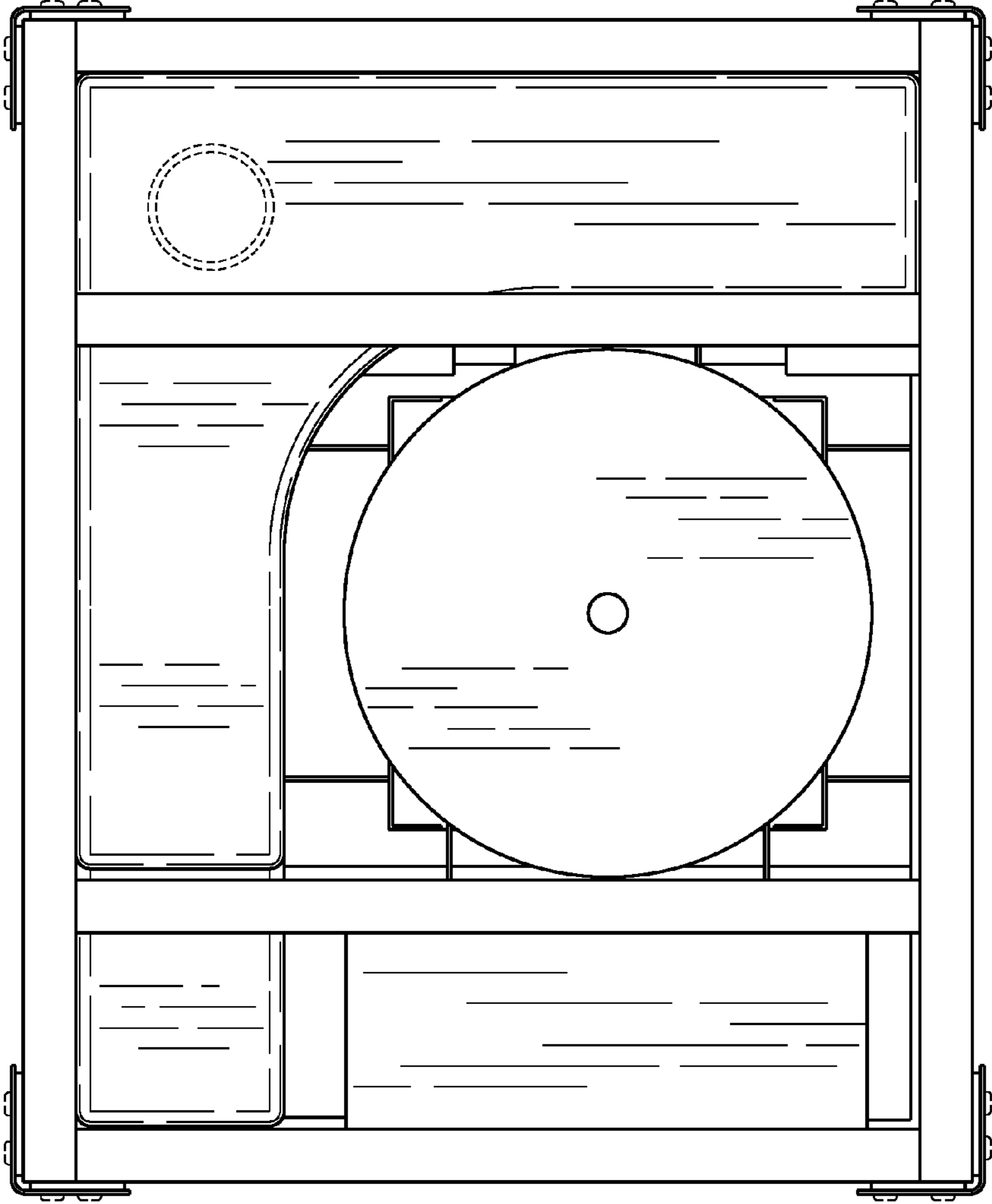


Fig. 13

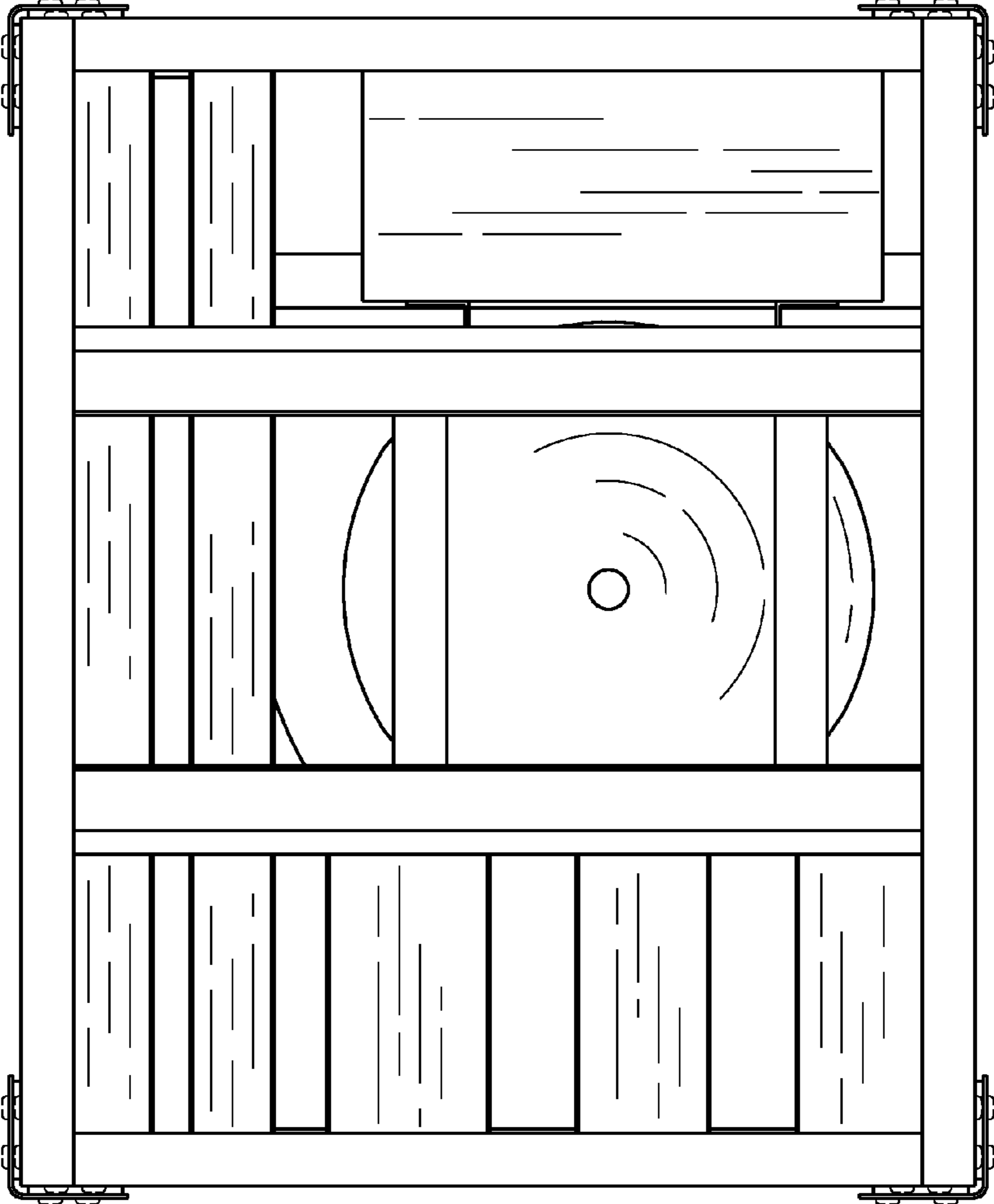


Fig. 14