



US00D669920S

(12) **United States Design Patent**
LaFond et al.

(10) **Patent No.:** **US D669,920 S**

(45) **Date of Patent:** **** Oct. 30, 2012**

(54) **ICE MACHINE**

(75) Inventors: **Marty J. LaFond**, Algoma, WI (US);
William E. Olson, Jr., Bellevue, WI
(US); **Brian A. Ebelt**, Manitowoc, WI
(US); **John T. Sara, III**, Cedarburg, WI
(US)

(73) Assignee: **Manitowoc Foodservice Companies,**
LLC, Manitowoc, WI (US)

(**) Term: **14 Years**

(21) Appl. No.: **29/385,259**

(22) Filed: **Feb. 10, 2011**

(51) **LOC (9) Cl.** **15-07**

(52) **U.S. Cl.** **D15/81**

(58) **Field of Classification Search** D15/79,
D15/81, 88, 91; 62/3.6-3.64, 293, 467, 246-254,
62/340, 344, 457.1-457.9; 312/400-408,
312/116, 119, 138.1, 139.1, 236

See application file for complete search history.

(56) **References Cited**

U.S. PATENT DOCUMENTS

D163,079 S *	4/1951	Whitmore	D15/83
D205,544 S *	8/1966	Smith	D15/83
D205,545 S *	8/1966	Smith	D15/83
3,862,880 A *	1/1975	Feldman	428/319.9
3,971,231 A	7/1976	Derry	62/388
D253,536 S *	11/1979	Shibata et al.	D15/88
D292,098 S	9/1987	Pandolfi	D15/82
D299,391 S *	1/1989	Meehan	D15/83
D314,579 S *	2/1991	Maxwell et al.	D15/80
D317,454 S	6/1991	Matsumura et al.	D15/83
D358,823 S *	5/1995	Grant	D15/83
5,671,991 A *	9/1997	Grant	312/406

D394,270 S *	5/1998	Strandell et al.	D15/80
D422,286 S *	4/2000	Choi et al.	D15/81
D431,576 S	10/2000	Okuda	D15/80

(Continued)

FOREIGN PATENT DOCUMENTS

AU 335222 S 11/2011

(Continued)

OTHER PUBLICATIONS

Design Examination Report dated Jun. 20, 2011 for corresponding Australian Design Registration No. 335222.

(Continued)

Primary Examiner — Mitchell Siegel

(74) *Attorney, Agent, or Firm* — Ohlandt, Greeley, Ruggiero & Perle, LLP

(57) **CLAIM**

It is claimed the ornamental design for the ice machine, as shown and described.

DESCRIPTION

FIG. 1 is a front view of an ice machine according to the present invention;

FIG. 2 is a rear view of the ice machine of FIG. 1;

FIG. 3 is a side view of the ice machine of FIG. 1;

FIG. 4 is a side view of the ice machine of FIG. 1 that is opposite the side view of FIG. 3;

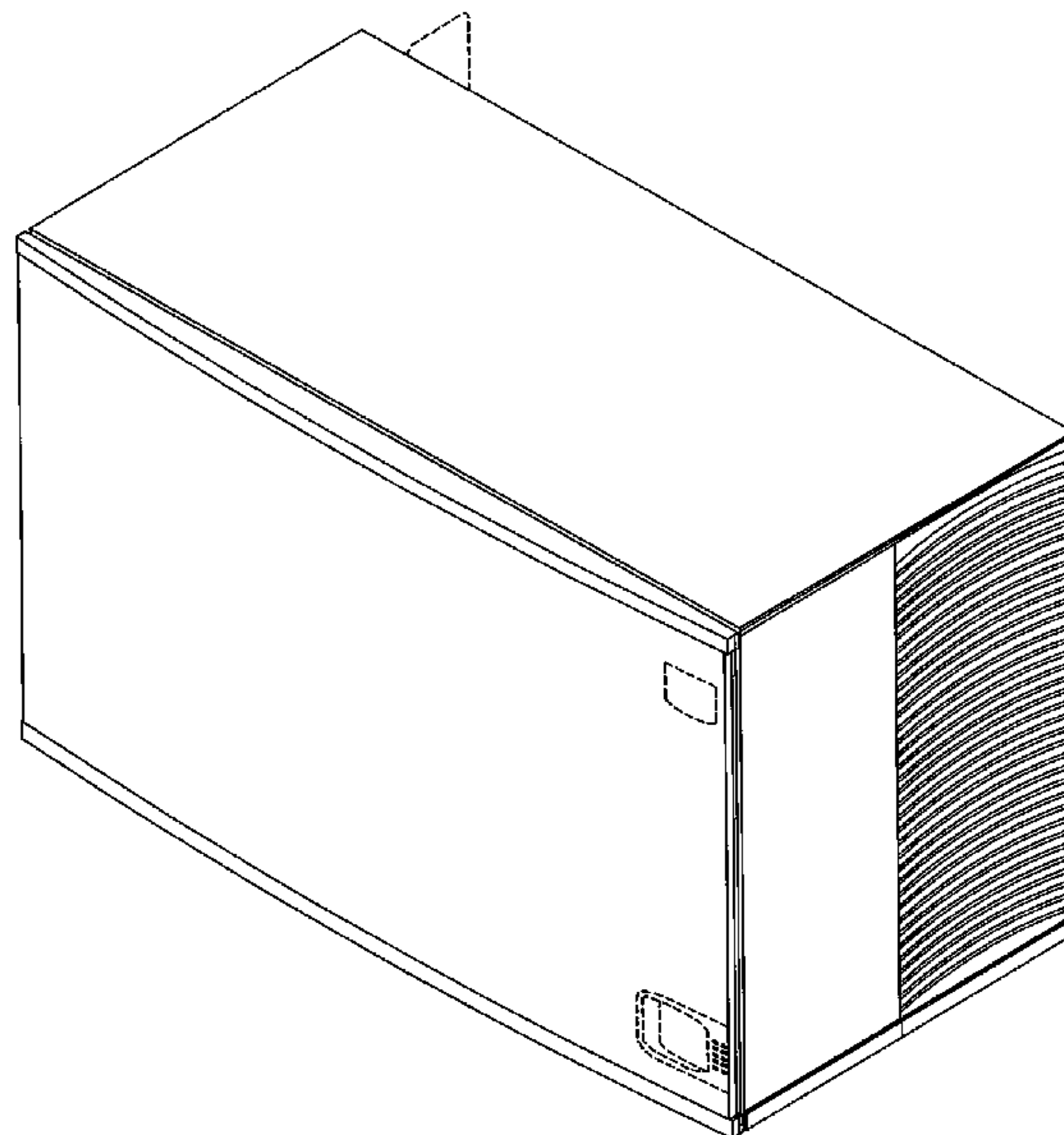
FIG. 5 is a top view of the ice machine of FIG. 1;

FIG. 6 is a bottom view of the ice machine of FIG. 1; and,

FIG. 7 is a top side perspective view of the ice machine of FIG. 1.

The broken lines in the drawings illustrating environmental structure form no part of the claimed design.

1 Claim, 7 Drawing Sheets



US D669,920 S

Page 2

U.S. PATENT DOCUMENTS

D522,538	S	*	6/2006	Chan	D15/81
D526,338	S		8/2006	McDougal et al.	D15/80
D539,312	S	*	3/2007	Kim	D15/81
D540,831	S	*	4/2007	Kim et al.	D15/81
D548,249	S		8/2007	Okamoto et al.	D15/84
D557,716	S		12/2007	Okuda	D15/80
D568,909	S	*	5/2008	Santiago	D15/81
D594,483	S	*	6/2009	Cefalu	D15/81
D597,107	S		7/2009	Ohtake	D15/80
D618,257	S	*	6/2010	Hanamure et al.	D15/79
D653,682	S	*	2/2012	Herning et al.	D15/81

FOREIGN PATENT DOCUMENTS

EM	001257901-0001	4/2011
EM	001257901-0002	4/2011

OTHER PUBLICATIONS

Australian Design Examination Report dated Nov. 21, 2011 for corresponding Australian Design Application No. 338258.

The “Indigo series Ice Cube Machine” published on <http://manitowocice.com/?xhtml=xhtml/mii/us/en/general/product.html&productdata=xhtml/mii/us/en/product/i850.html&xsl=productdata.xml&category=0145> internet site on Jun. 12, 2011. Evidence of this publication date was obtained from the Internet Archive Wayback Machine, which can be found online at <http://www.archive.org>.

Australian Design Examination Report dated Nov. 22, 2011 for corresponding Australian Design Application No. 338261.

The “QuietQube”, which was published on the <http://www.manitowocice.com/?xhtml=xhtml/mii/us/en/general/productcatalog.html&xsl=productcatalog.xml&coc=mii&category=0144> internet site on Jun. 11, 2011. Evidence of this publication date was obtained from the Internet Archive Wayback Machine, which can be found online at <http://www.archive.org>.

Australian Design Examination Report dated Nov. 21, 2011 for corresponding Australian Design Application No. 338260.

* cited by examiner

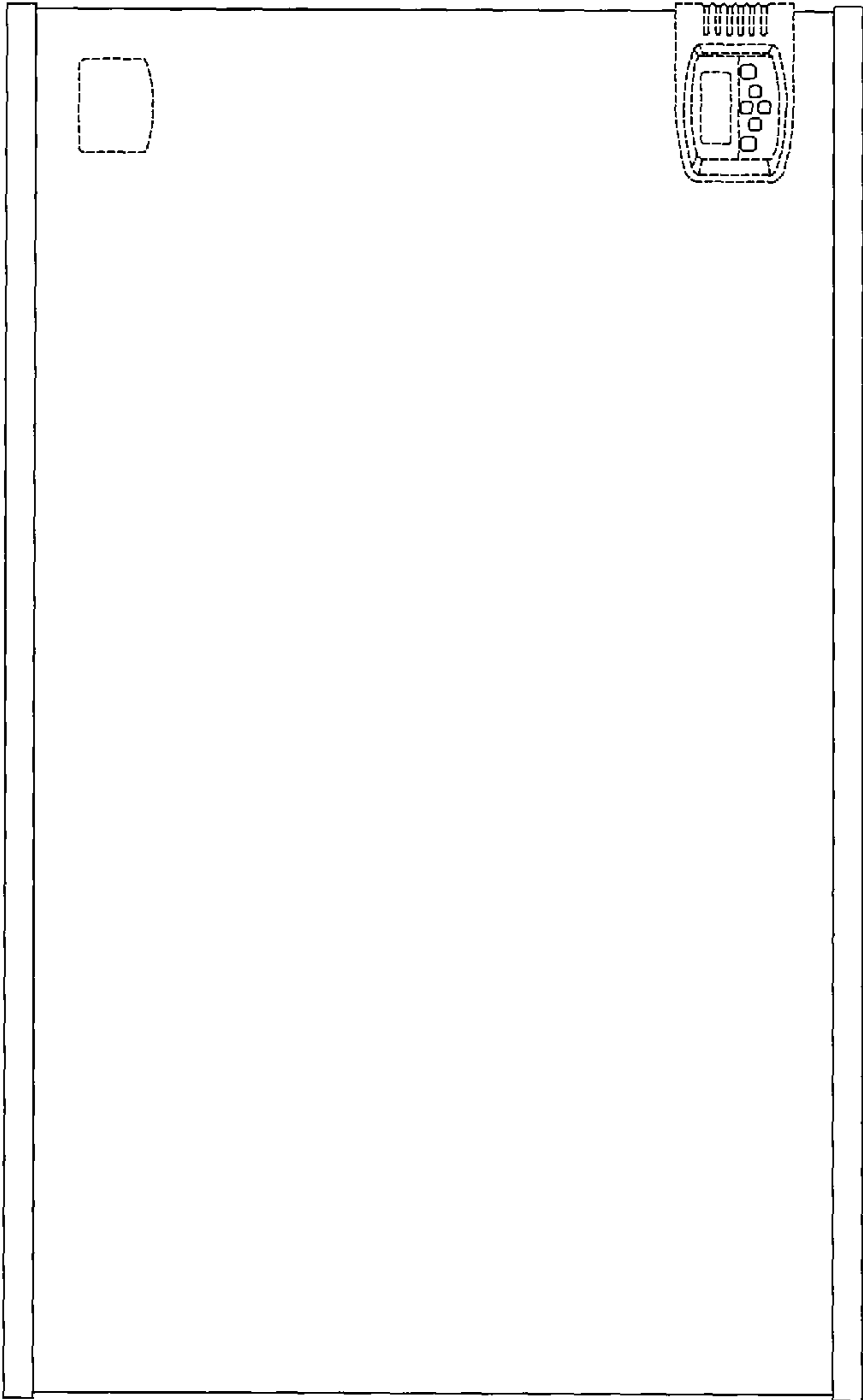


FIG. 1

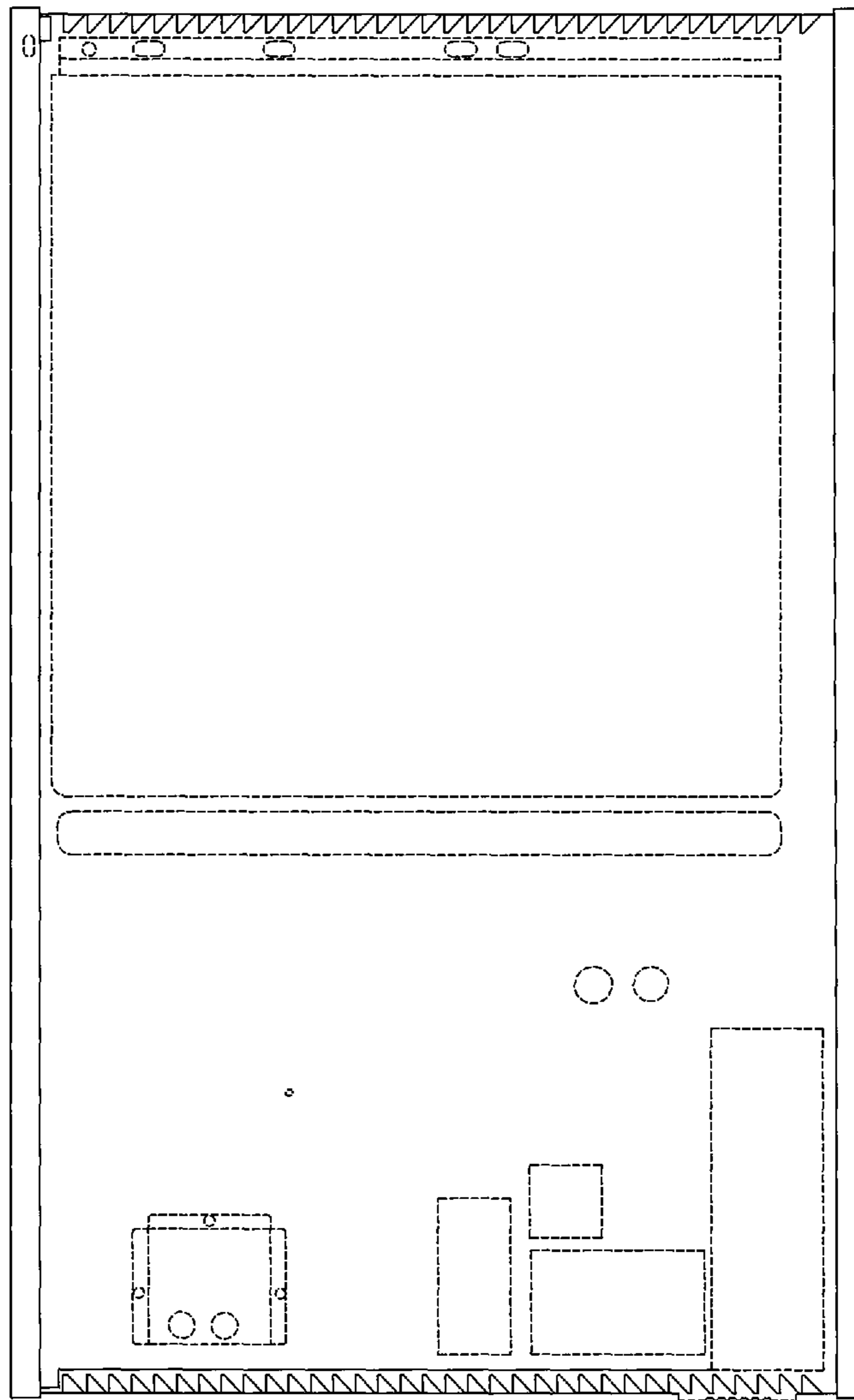


FIG. 2

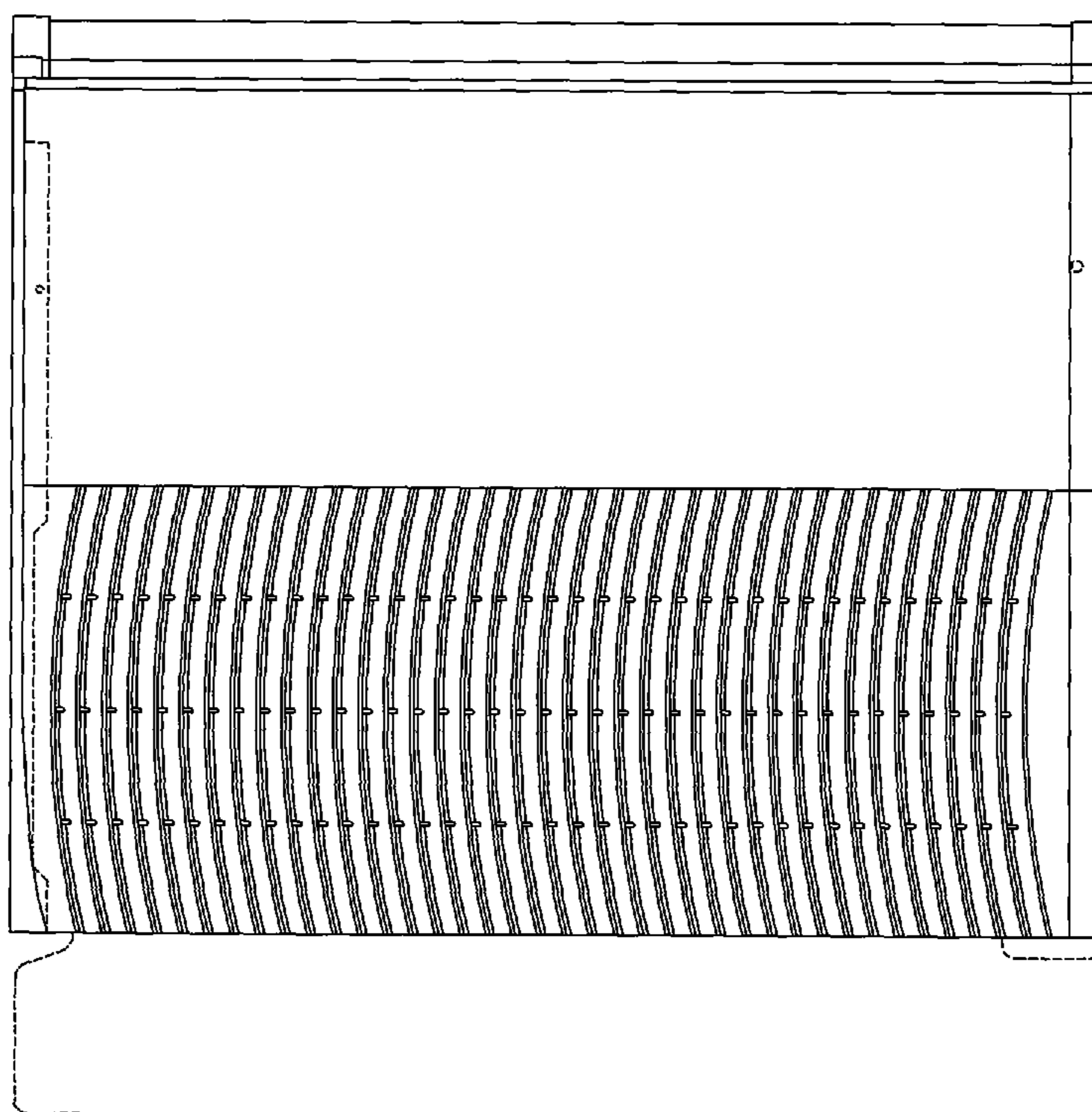


FIG. 3

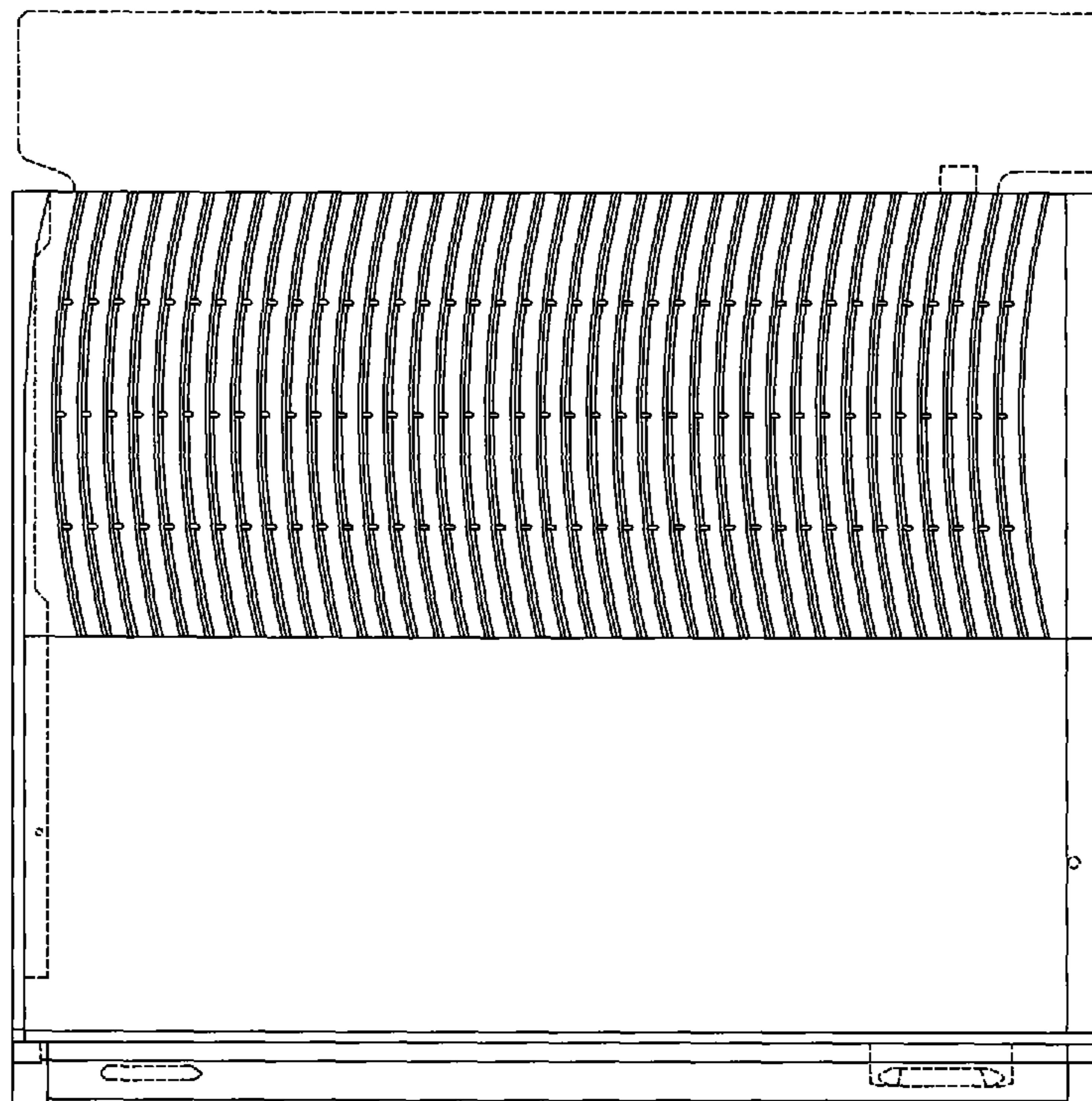


FIG. 4

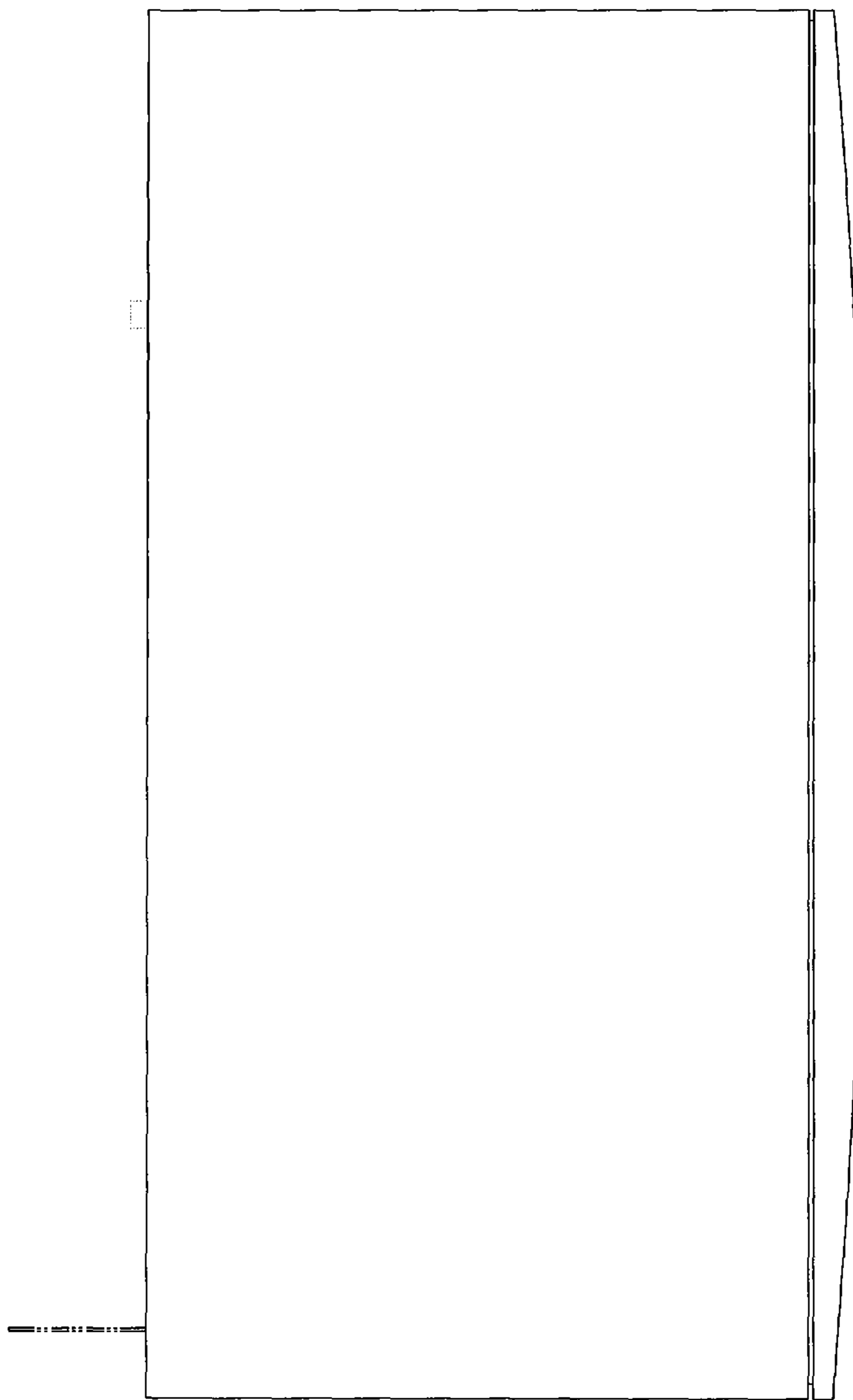


FIG. 5

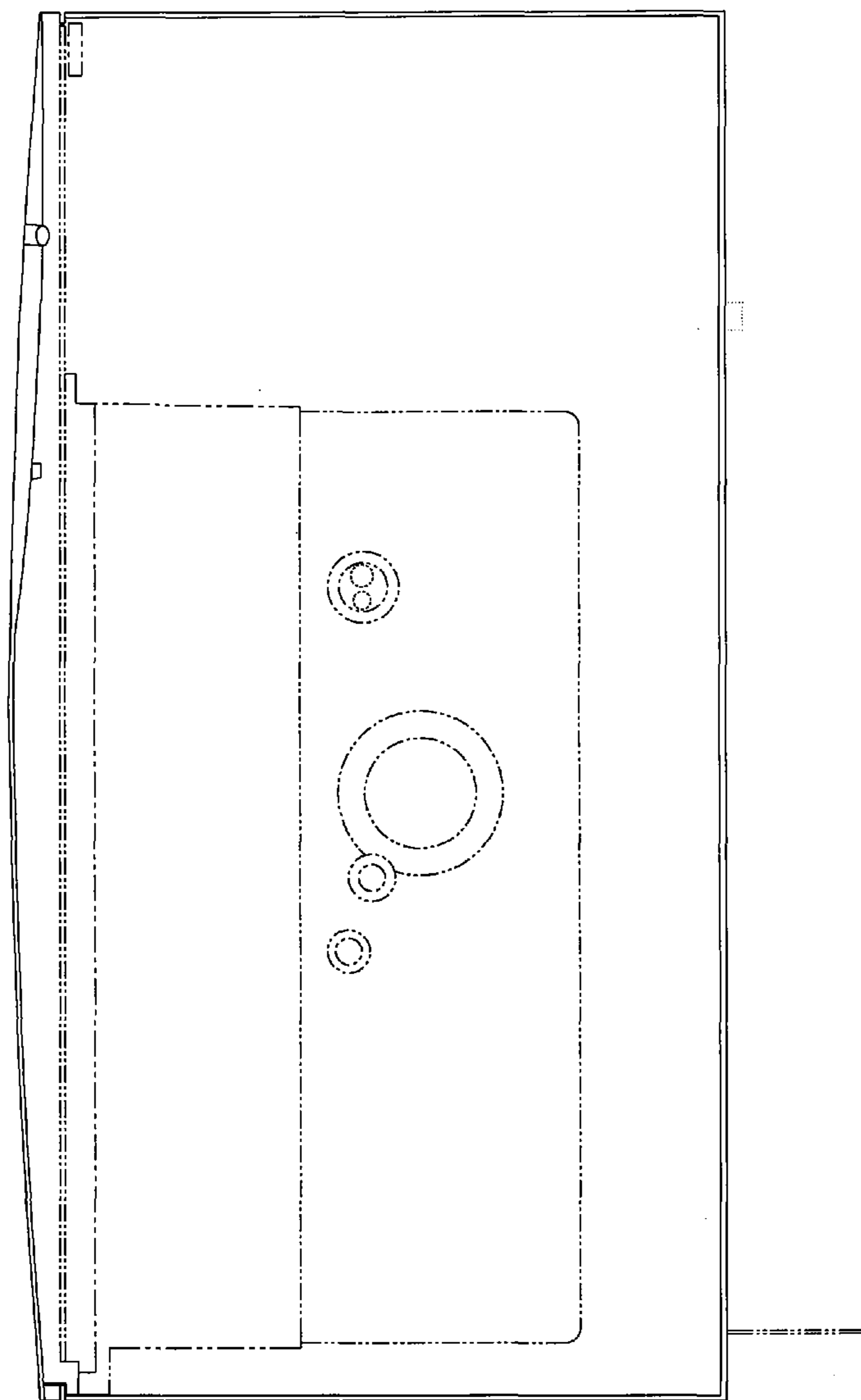


FIG. 6

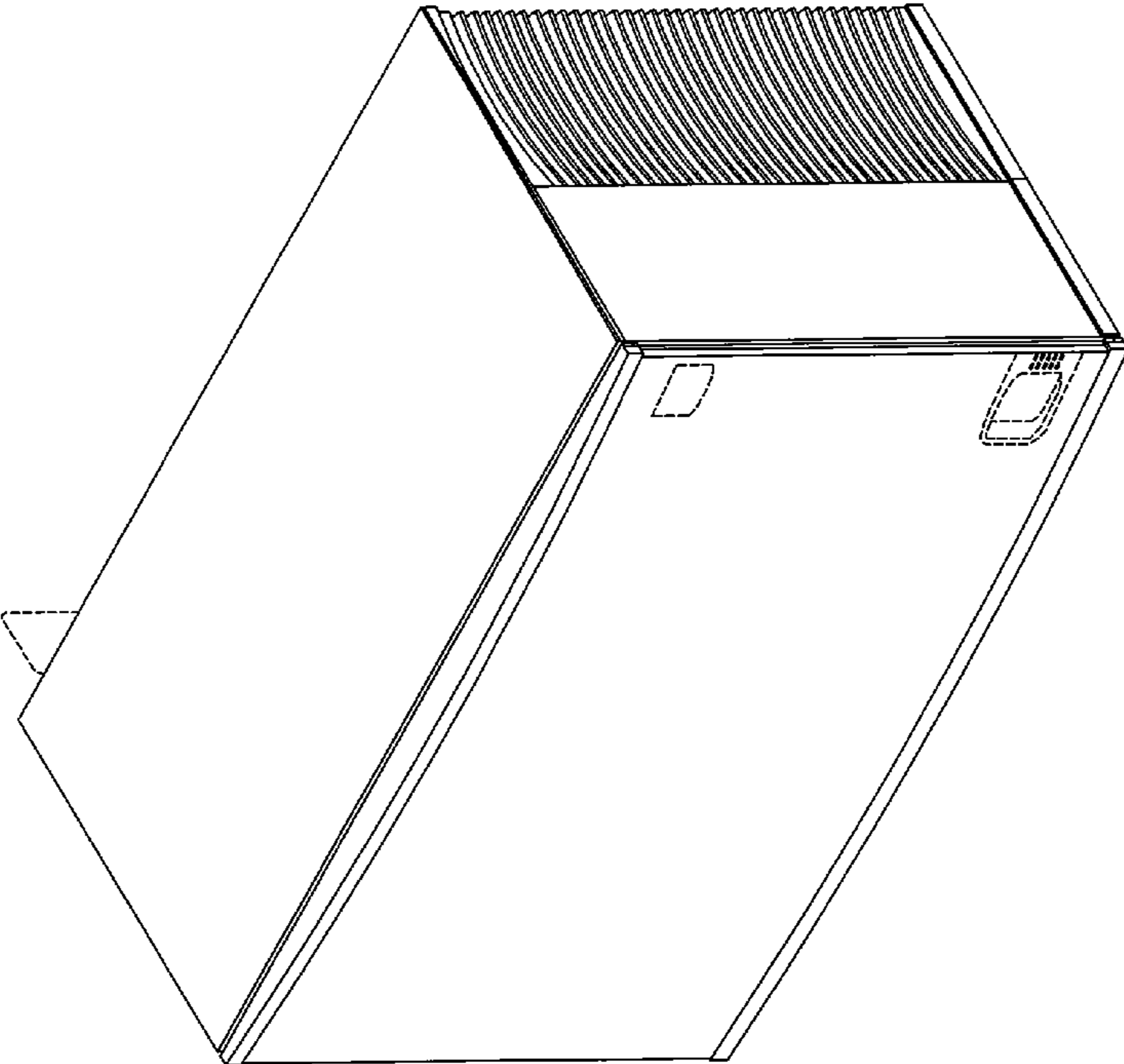


FIG. 7