



US00D669915S

(12) **United States Design Patent**
Akana et al.

(10) **Patent No.:** **US D669,915 S**
(45) **Date of Patent:** **** Oct. 30, 2012**

(54) **ELECTRONIC DEVICE**

370/342-344; 369/1, 2, 6-12; 463/43-47;
273/148 B

(75) Inventors: **Jody Akana**, San Francisco, CA (US);
Bartley K. Andre, Menlo Park, CA
(US); **Jeremy Bataillou**, San Francisco,
CA (US); **Daniel J. Coster**, San
Francisco, CA (US); **Daniele De Iuliis**,
San Francisco, CA (US); **Evans**
Hankey, San Francisco, CA (US);
Richard P. Howarth, San Francisco, CA
(US); **Jonathan P. Ive**, San Francisco,
CA (US); **Duncan Robert Kerr**, San
Francisco, CA (US); **Shin Nishibori**,
Kailua, HI (US); **Matthew Dean**
Rohrbach, San Francisco, CA (US);
Peter Russell-Clarke, San Francisco,
CO (US); **Christopher J. Stringer**,
Woodside, CA (US); **Eugene Antony**
Whang, San Francisco, CA (US); **Rico**
Zorkendorfer, San Francisco, CA (US)

See application file for complete search history.

(56) **References Cited**

U.S. PATENT DOCUMENTS

D315,159	S	3/1991	Hino	
5,128,829	A *	7/1992	Loew	361/679.3
D410,463	S	6/1999	Hattori	
6,122,526	A *	9/2000	Parulski et al.	455/556.1
6,254,477	B1	7/2001	Sasaki et al.	
6,354,477	B1 *	3/2002	Trummer	224/575
D467,891	S	12/2002	Tokioka et al.	
6,567,011	B1 *	5/2003	Young et al.	340/12.28
6,595,860	B1 *	7/2003	Yamamoto et al.	463/43
D478,076	S *	8/2003	Hong	D14/345
D480,372	S	10/2003	Chen et al.	
D512,977	S	12/2005	Chan	
D521,460	S	5/2006	Shimizu	
D529,044	S	9/2006	Andre et al.	
D531,157	S	10/2006	Lheem	

(Continued)

(73) Assignee: **Apple Inc.**, Cupertino, CA (US)

(**) Term: **14 Years**

(21) Appl. No.: **29/417,331**

(22) Filed: **Apr. 2, 2012**

Related U.S. Application Data

(63) Continuation of application No. 29/404,063, filed on Oct. 14, 2011, now Pat. No. Des. 656,955, which is a continuation of application No. 29/391,539, filed on May 10, 2011, now Pat. No. Des. 647,921, which is a continuation of application No. 29/367,998, filed on Aug. 16, 2010, now Pat. No. Des. 638,443.

(51) **LOC (9) Cl.** **14-03**

(52) **U.S. Cl.** **D14/496; D14/203.3**

(58) **Field of Classification Search** D14/496,
D14/401, 435, 474, 483, 217, 137, 138, 160,
D14/168, 356, 203.1-203.8, 507; 345/156,
345/169, 173-179, 905; 715/727-729, 864;
710/1, 5, 8; 713/1, 600; 455/1.1, 1.7, 73,
455/344-347, 93, 95, 3.01-3.06, 550.1, 573.1;

Primary Examiner — Prabhakar Deshmukh

(74) *Attorney, Agent, or Firm* — Sterne, Kessler, Goldstein & Fox PLLC

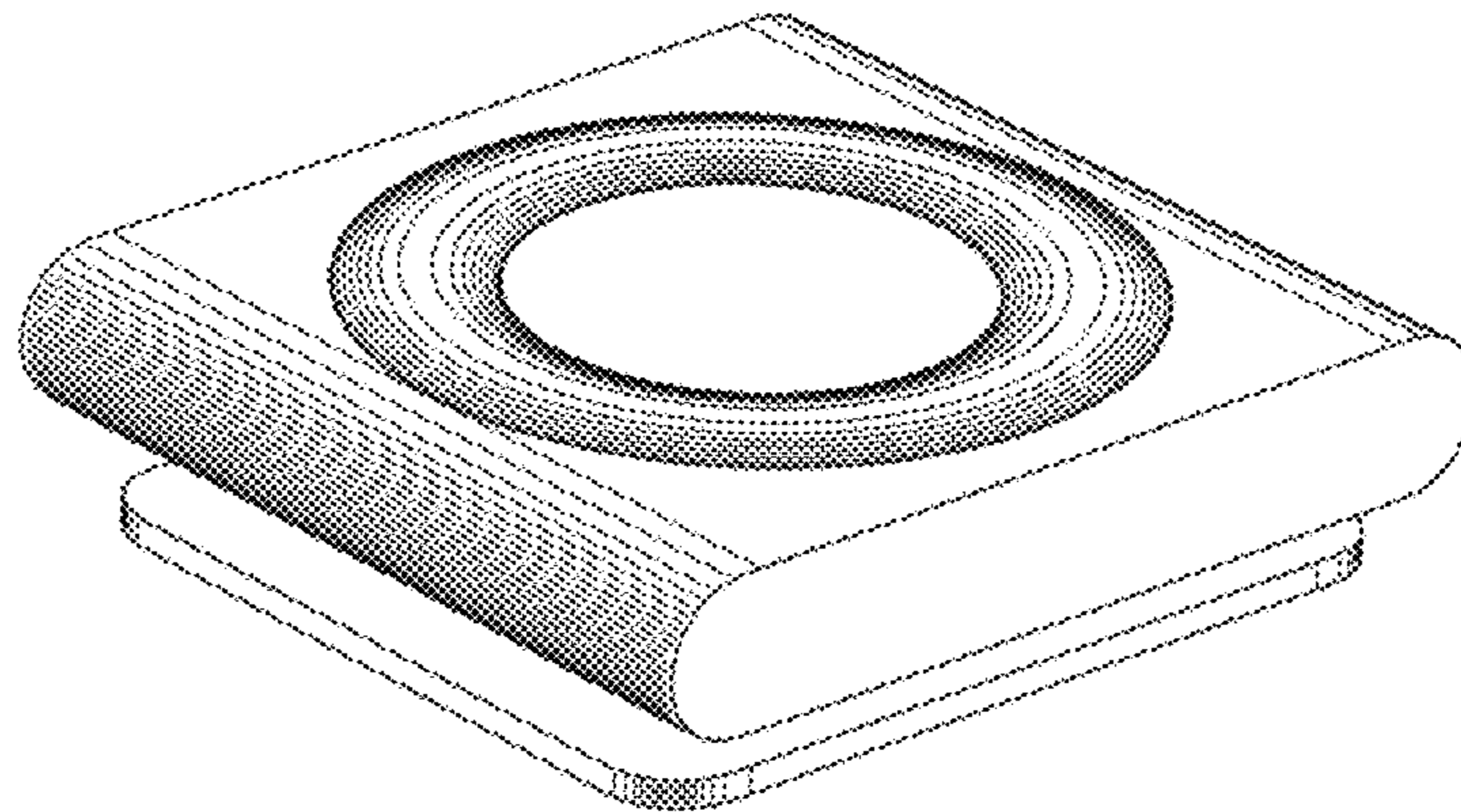
(57) **CLAIM**

The ornamental design for an electronic device, as shown and described.

DESCRIPTION

FIG. 1 is a front bottom perspective view of an electronic device showing our new design;
FIG. 2 is a rear bottom perspective view thereof;
FIG. 3 is a rear top perspective view thereof;
FIG. 4 is a front top perspective view thereof;
FIG. 5 is a front view thereof;
FIG. 6 is a rear view thereof;
FIG. 7 is a bottom view thereof;
FIG. 8 is a top view thereof;
FIG. 9 is a side view thereof; and,
FIG. 10 is another side view thereof.
The shade lines in the Figures show contour and not surface ornamentation.

1 Claim, 8 Drawing Sheets



US D669,915 S

Page 2

U.S. PATENT DOCUMENTS

D535,650 S	1/2007	Wong et al.		D563,434 S *	3/2008	Dai	D14/496
D538,795 S	3/2007	Wong et al.		D577,008 S	9/2008	Andre et al.	
D539,814 S	4/2007	Andre et al.		D590,826 S *	4/2009	Andre et al.	D14/341
D542,784 S	5/2007	Franck et al.		D591,766 S	5/2009	Andre et al.	
D555,171 S *	11/2007	Dai	D14/496	D606,040 S	12/2009	Andre et al.	
D556,155 S	11/2007	Andre et al.		D638,030 S	5/2011	Akana et al.	
7,310,083 B2	12/2007	Hagiwara et al.		D638,443 S	5/2011	Akana et al.	
D560,228 S	1/2008	Andre et al.					

* cited by examiner

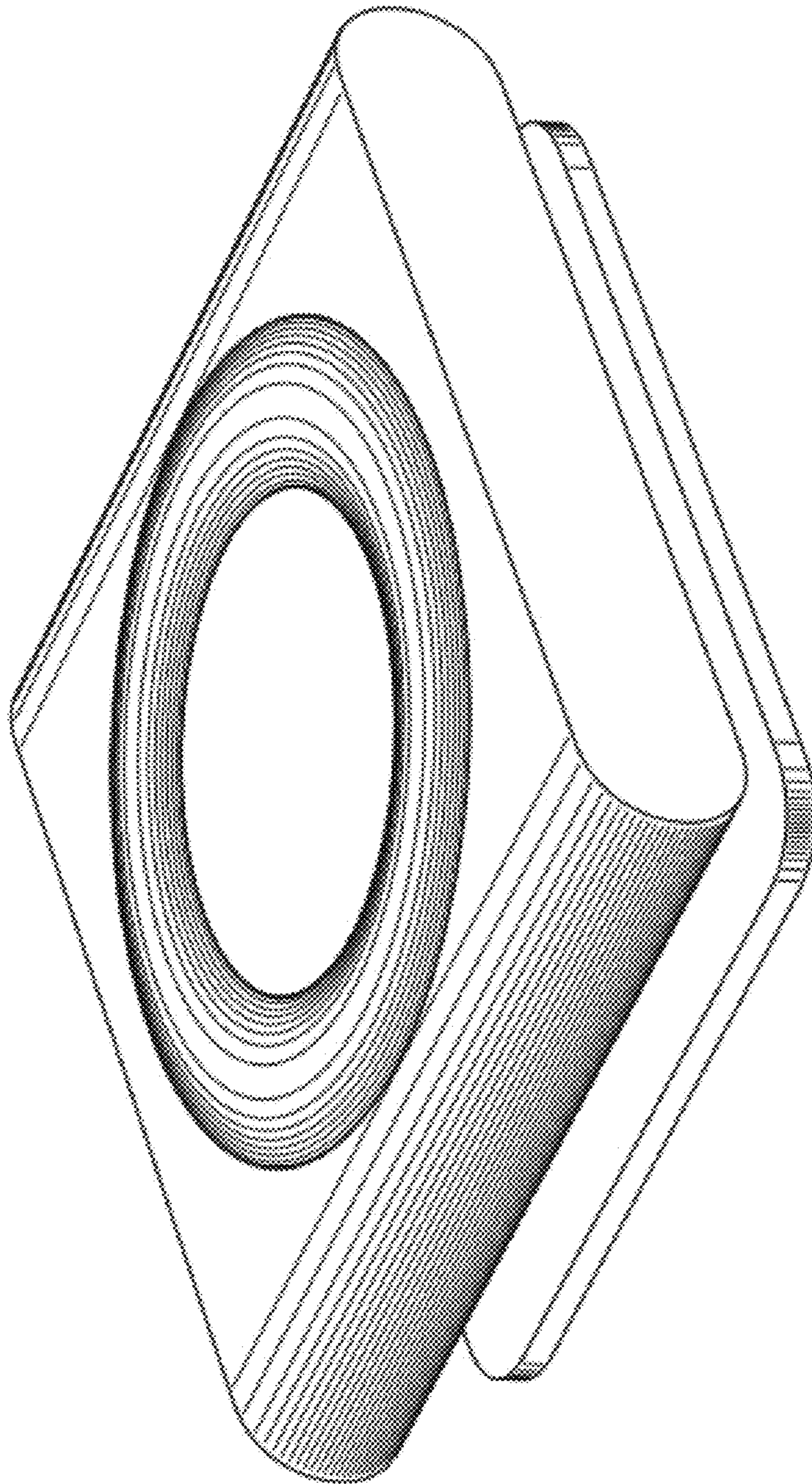


FIG. 1

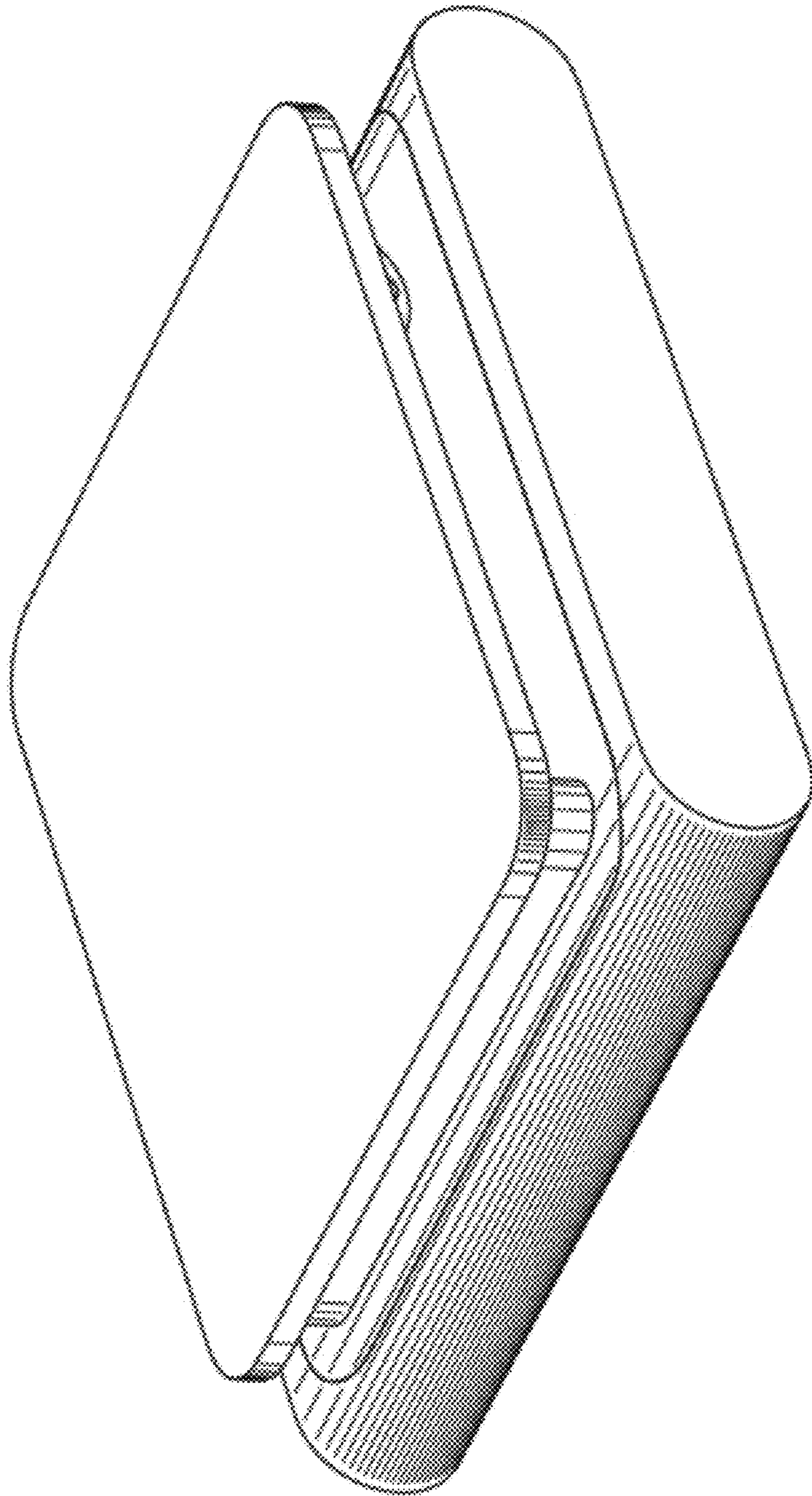


FIG. 2

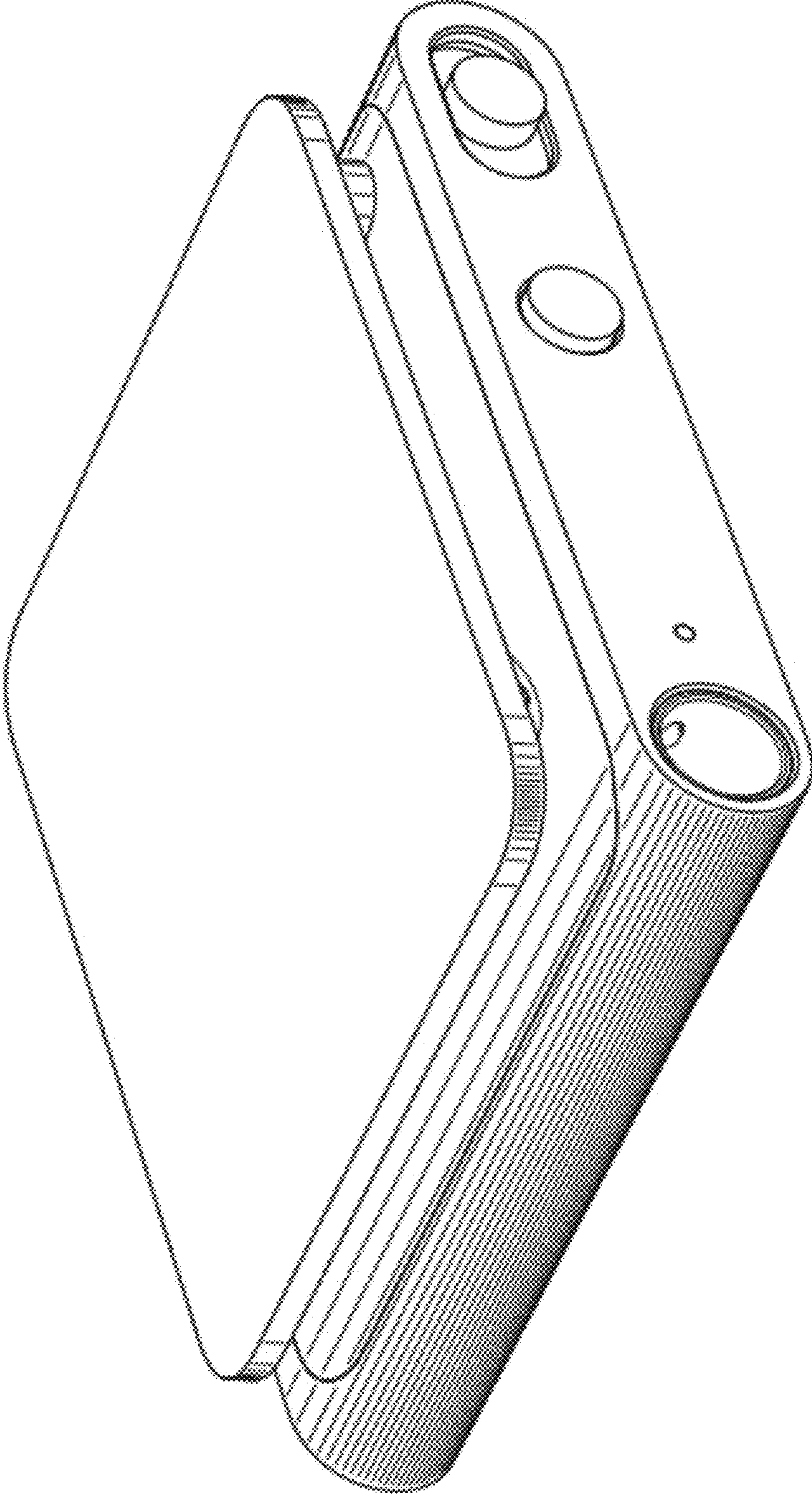


FIG. 3

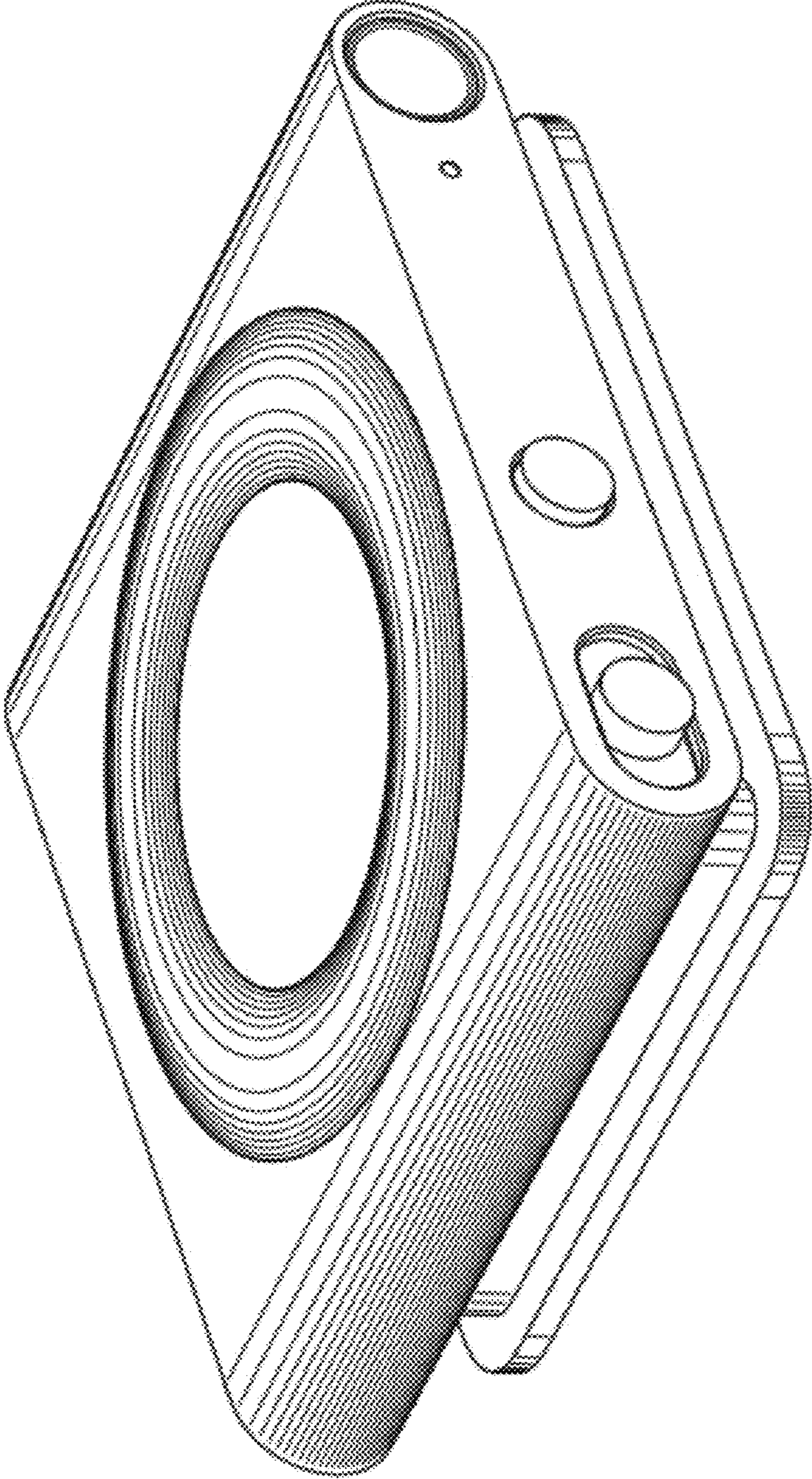


FIG. 4

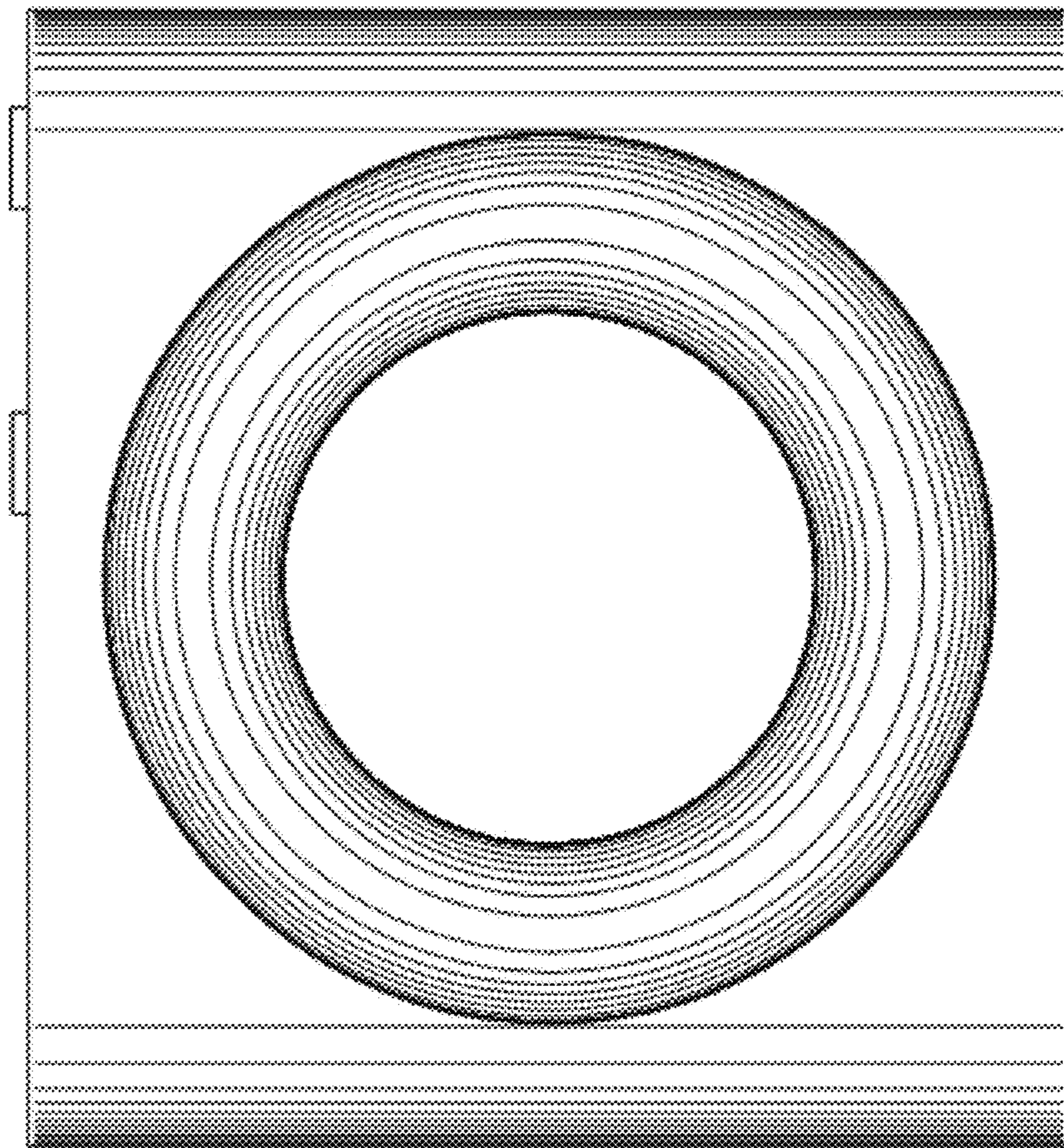


FIG. 5

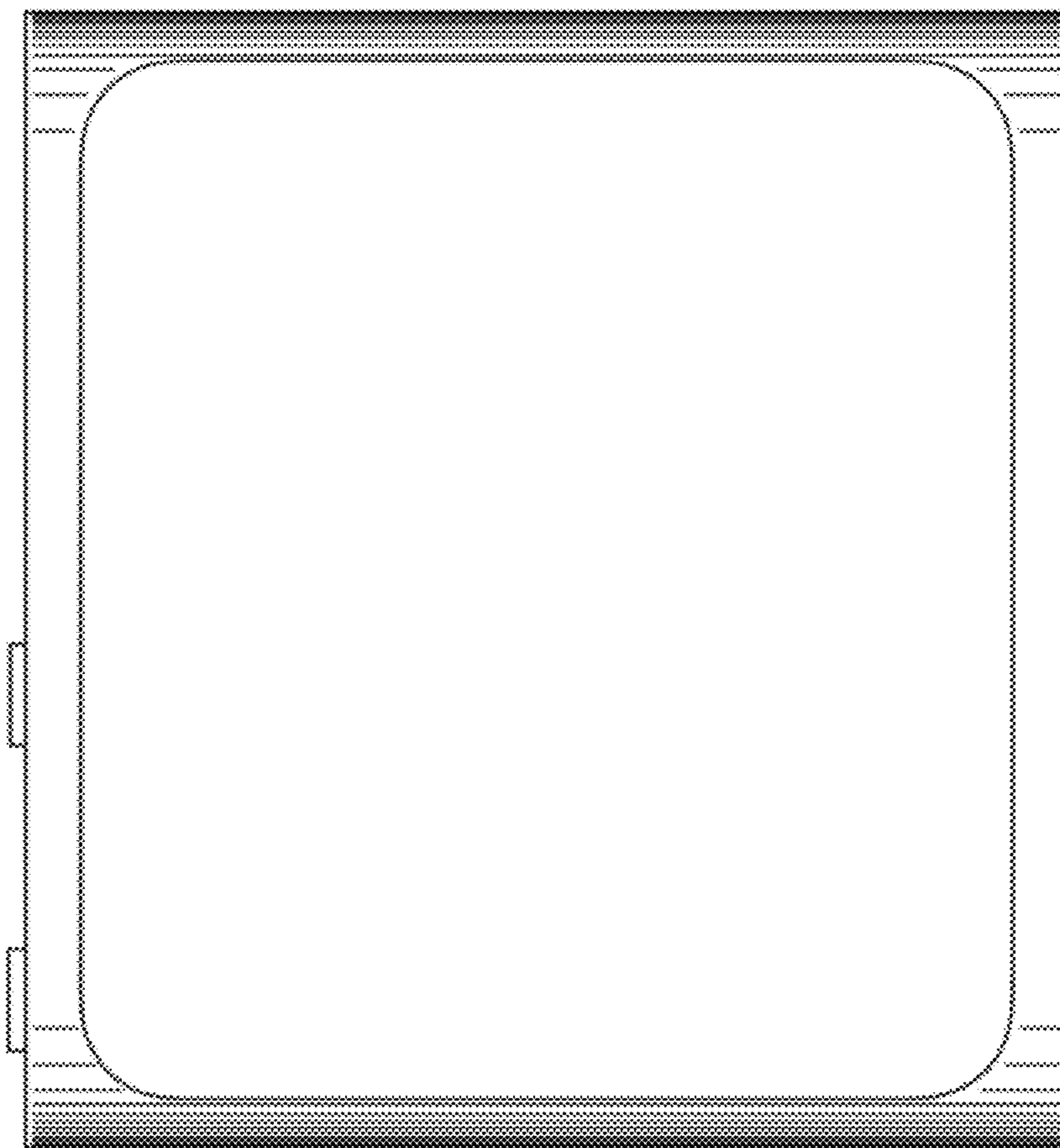


FIG. 6

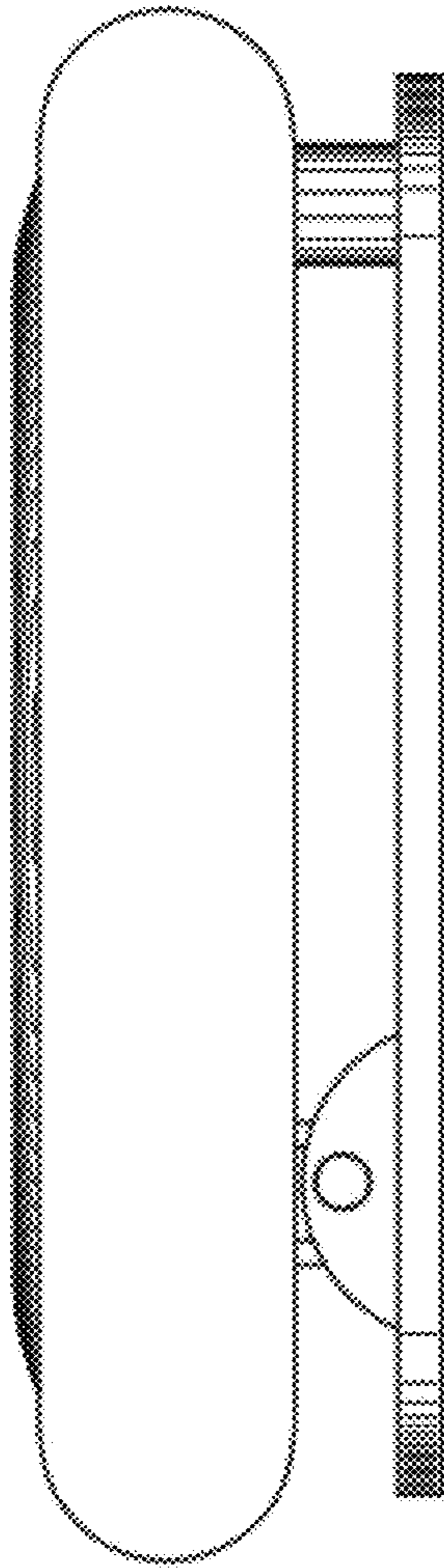


FIG. 7

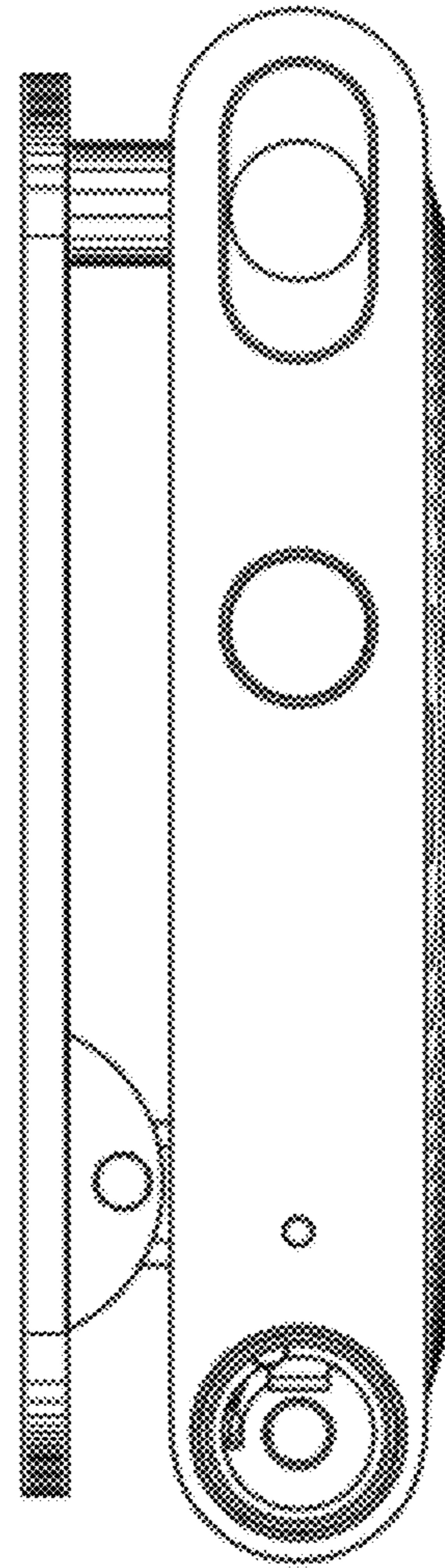


FIG. 8

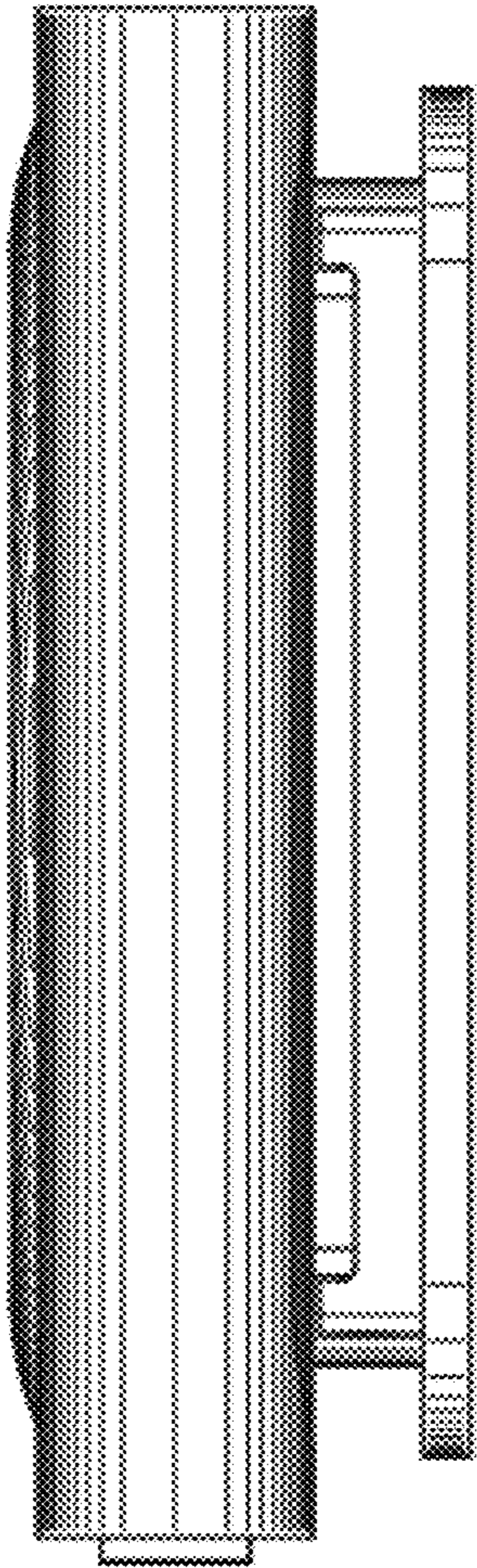


FIG. 9

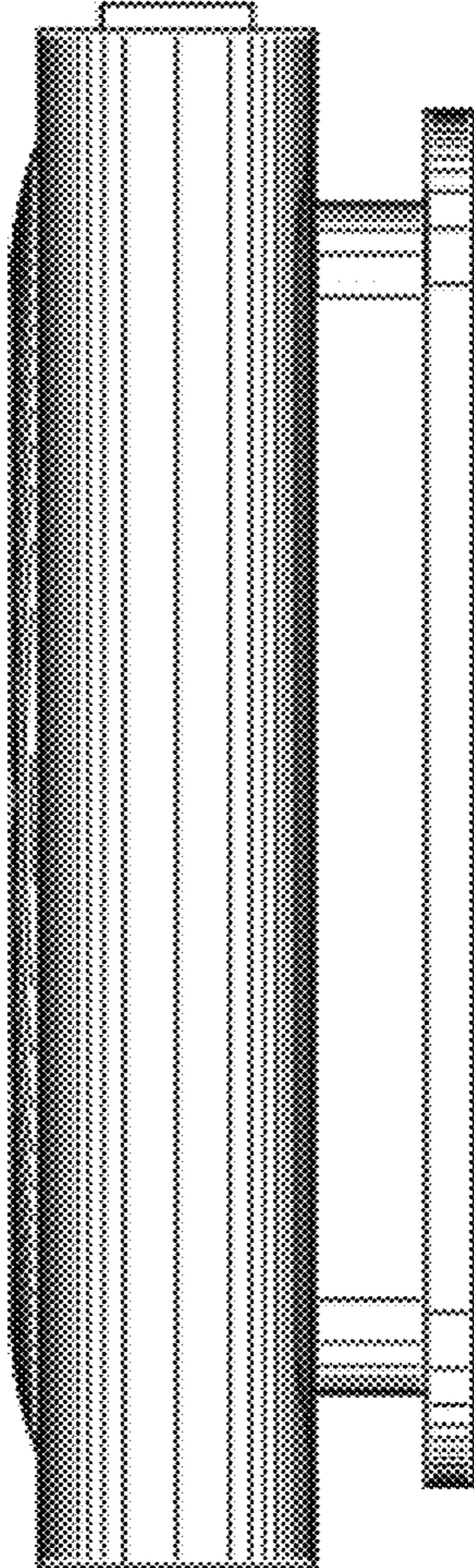


FIG. 10