



US00D669904S

(12) **United States Design Patent**
Ni et al.

(10) **Patent No.:** **US D669,904 S**

(45) **Date of Patent:** **** Oct. 30, 2012**

(54) **FLASH MEMORY DEVICE HAVING A
RETRACTABLE CAP**

(75) Inventors: **Jim C. Ni**, San Jose, CA (US); **XuLin
Cao**, Shenzhen (CN)

(73) Assignee: **Super Talent Electronics, Inc.**, San
Jose, CA (US)

(**) Term: **14 Years**

(21) Appl. No.: **29/396,716**

(22) Filed: **Jul. 6, 2011**

(30) **Foreign Application Priority Data**

Jul. 4, 2011 (CN) 2011 3 0208372

(51) **LOC (9) Cl.** **14-02**

(52) **U.S. Cl.** **D14/480.7**

(58) **Field of Classification Search** D14/411,
D14/433, 435, 435.1, 436-438, 480.1-480.7,
D14/484.1, 137, 155, 203.1-203.8, 240;
D13/133, 146-147, 154; 710/300, 301; 439/131,
439/135-147; 361/679.31, 679.33, 679.4,
361/752; 711/100, 115

See application file for complete search history.

(56) **References Cited**

U.S. PATENT DOCUMENTS

6,456,500 B1 * 9/2002 Chen 361/752
6,676,419 B1 * 1/2004 Lin et al. 439/76.1
D513,613 S * 1/2006 Lim D14/480.1
7,153,148 B2 * 12/2006 Chen et al. 439/141
D547,311 S * 7/2007 Chen et al. D14/480.7
D553,618 S * 10/2007 Cheng D14/480.3
D579,933 S * 11/2008 Deguchi D14/480.1
D581,413 S * 11/2008 Kim D14/480.7
D587,266 S * 2/2009 Deguchi D14/480.7
D602,026 S * 10/2009 Lo D14/480.7

D617,331 S * 6/2010 Lo D14/480.7
D620,017 S * 7/2010 Lo D14/480.7
D624,554 S * 9/2010 Lo D14/480.7
D631,057 S * 1/2011 Kuo D14/480.7
D660,859 S * 5/2012 Lin et al. D14/480.7
8,194,408 B2 * 6/2012 Chou et al. 361/737
2010/0015825 A1 * 1/2010 Ziberna 439/131
2010/0315762 A1 * 12/2010 Lo 361/600
2012/0026661 A1 * 2/2012 Ni et al. 361/679.4

OTHER PUBLICATIONS

Techtree.com India > Reviews > Mobile Computing > Portable Storage > Kingston DataTraveler 200 64GB: USB Flash Drive, pp. 1-3, [online] posted Sep. 25, 2009 [retrieved on May 17, 2010]. Retrieved from the Internet <URL: http://www.techtree.com/techtree/jsp/article.jsp?print=1&article_id=106549&cat_id=611>.*

* cited by examiner

Primary Examiner — Karen E Kearney

(74) *Attorney, Agent, or Firm* — Roger H. Chu

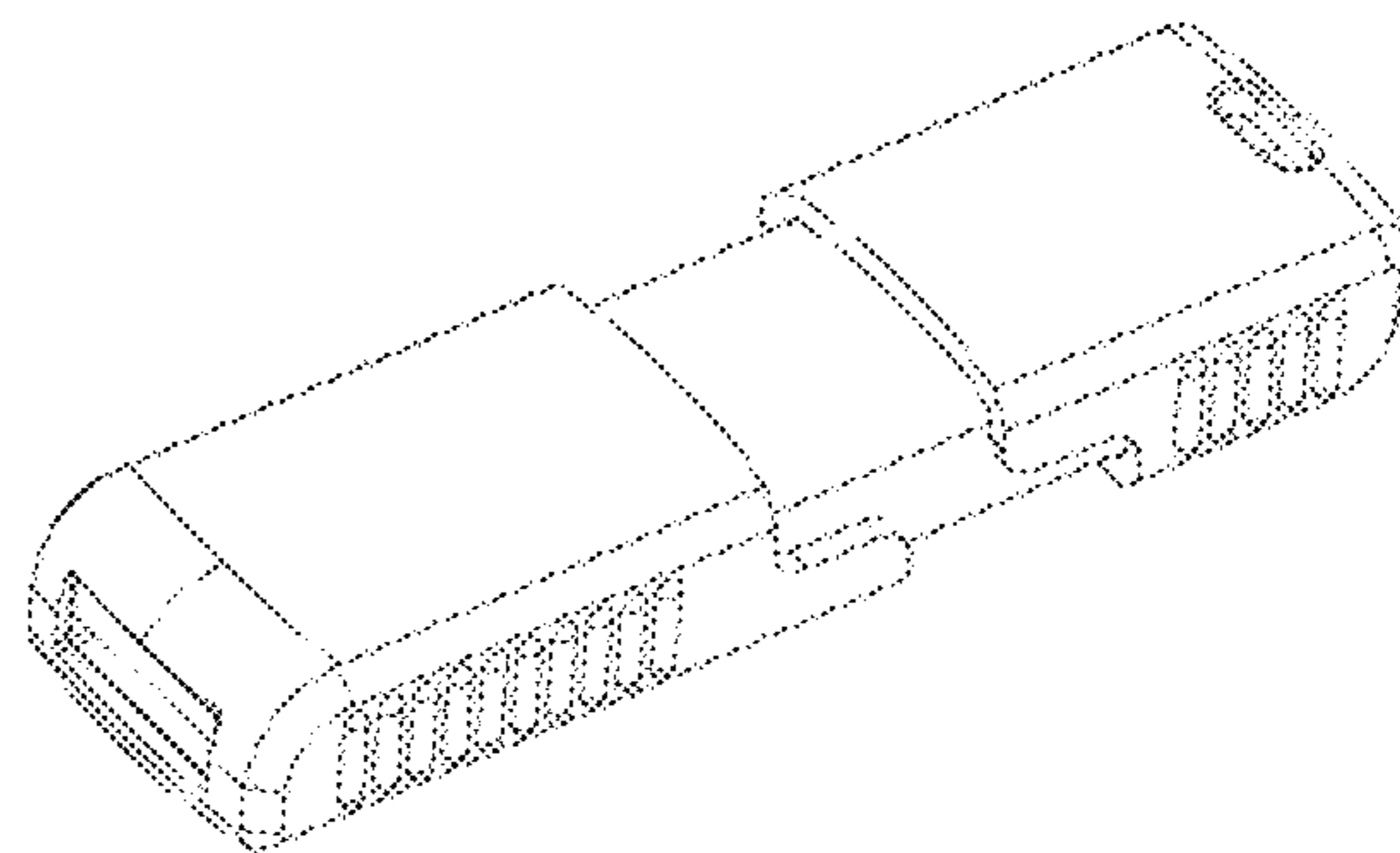
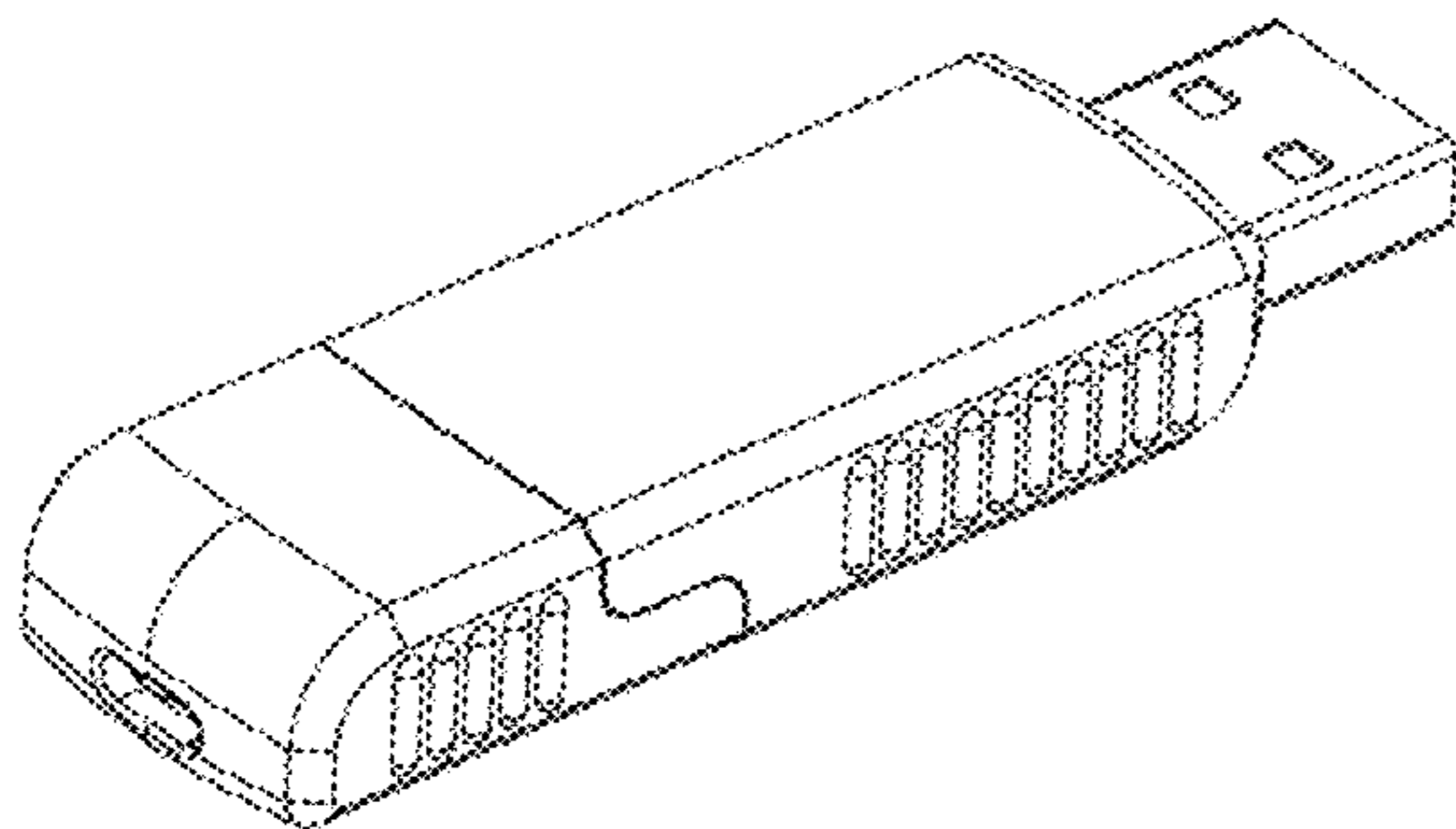
(57) **CLAIM**

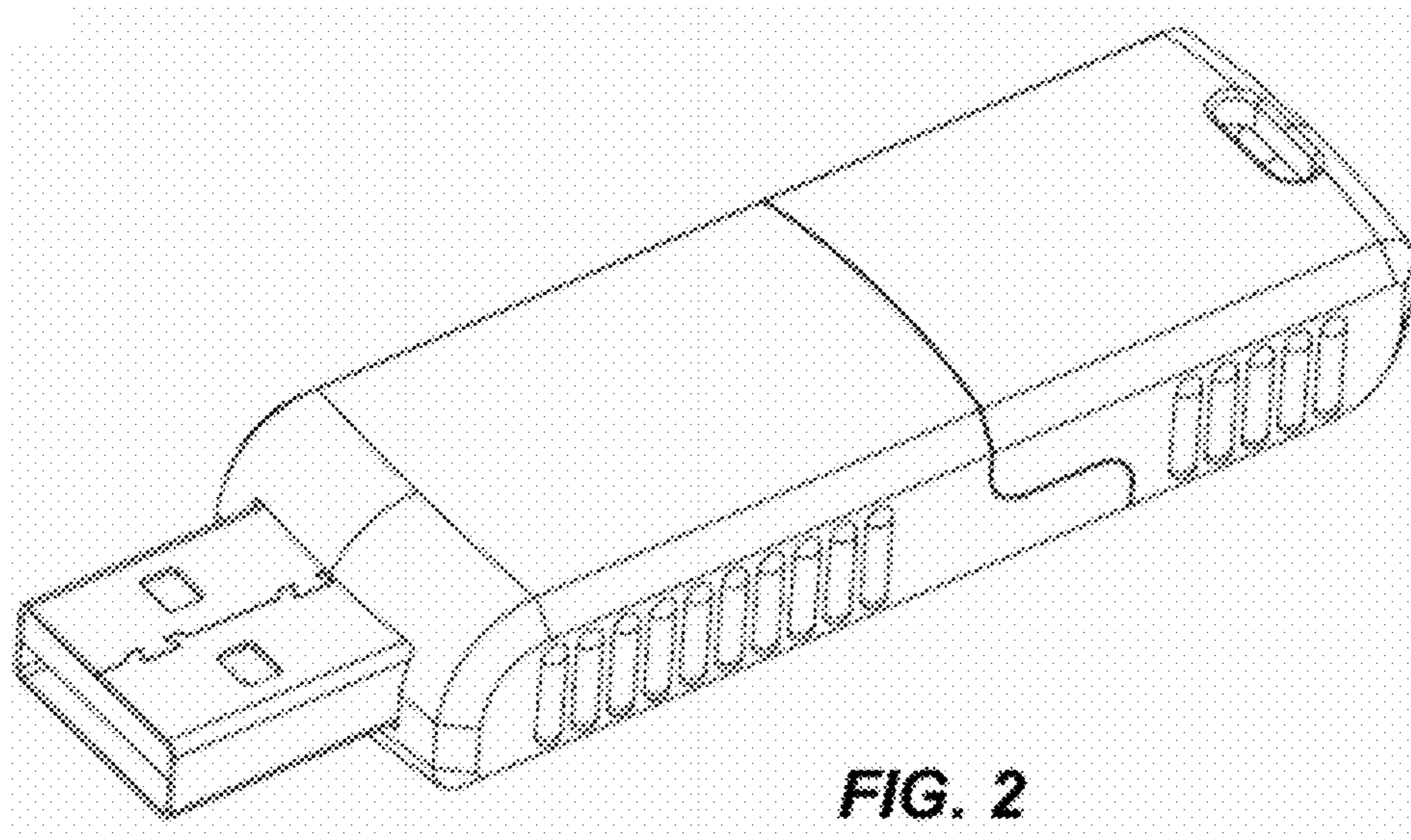
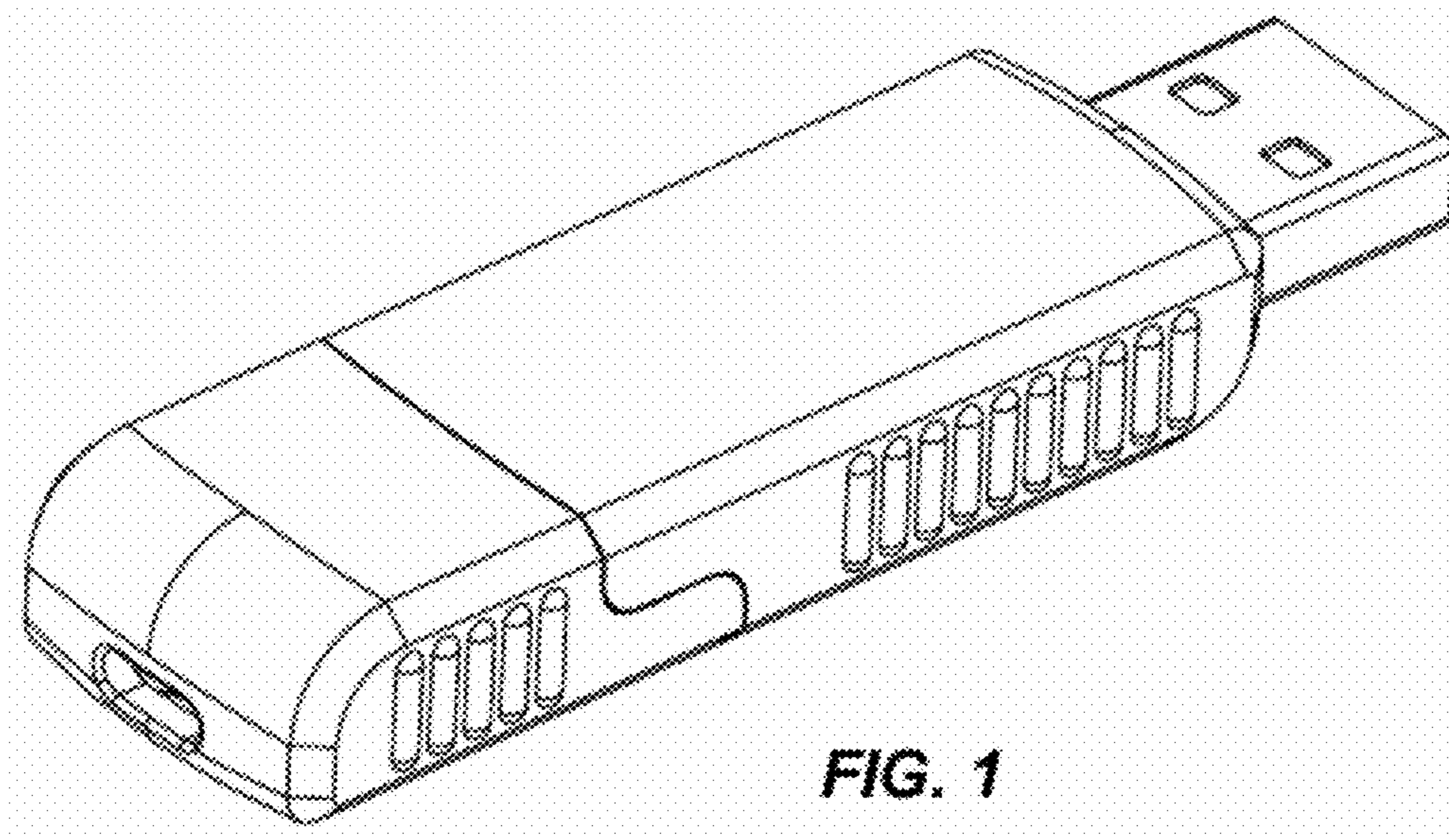
The ornamental design for a flash memory device having a retractable cap, as shown and described.

DESCRIPTION

FIG. 1 is a top, perspective view of a flash memory device having a retractable cap showing our new design;
FIG. 2 is a bottom, perspective thereof;
FIG. 3 is a front view thereof;
FIG. 4 is a rear view thereof;
FIG. 5 is a top view thereof;
FIG. 6 is a bottom view thereof;
FIG. 7 is a left-side view thereof, the right-side view being a mirror image of the left-side view; and,
FIG. 8 is a bottom perspective view showing the flash memory device with the retractable cap in an extended position hiding the flash memory device's connector.

1 Claim, 5 Drawing Sheets





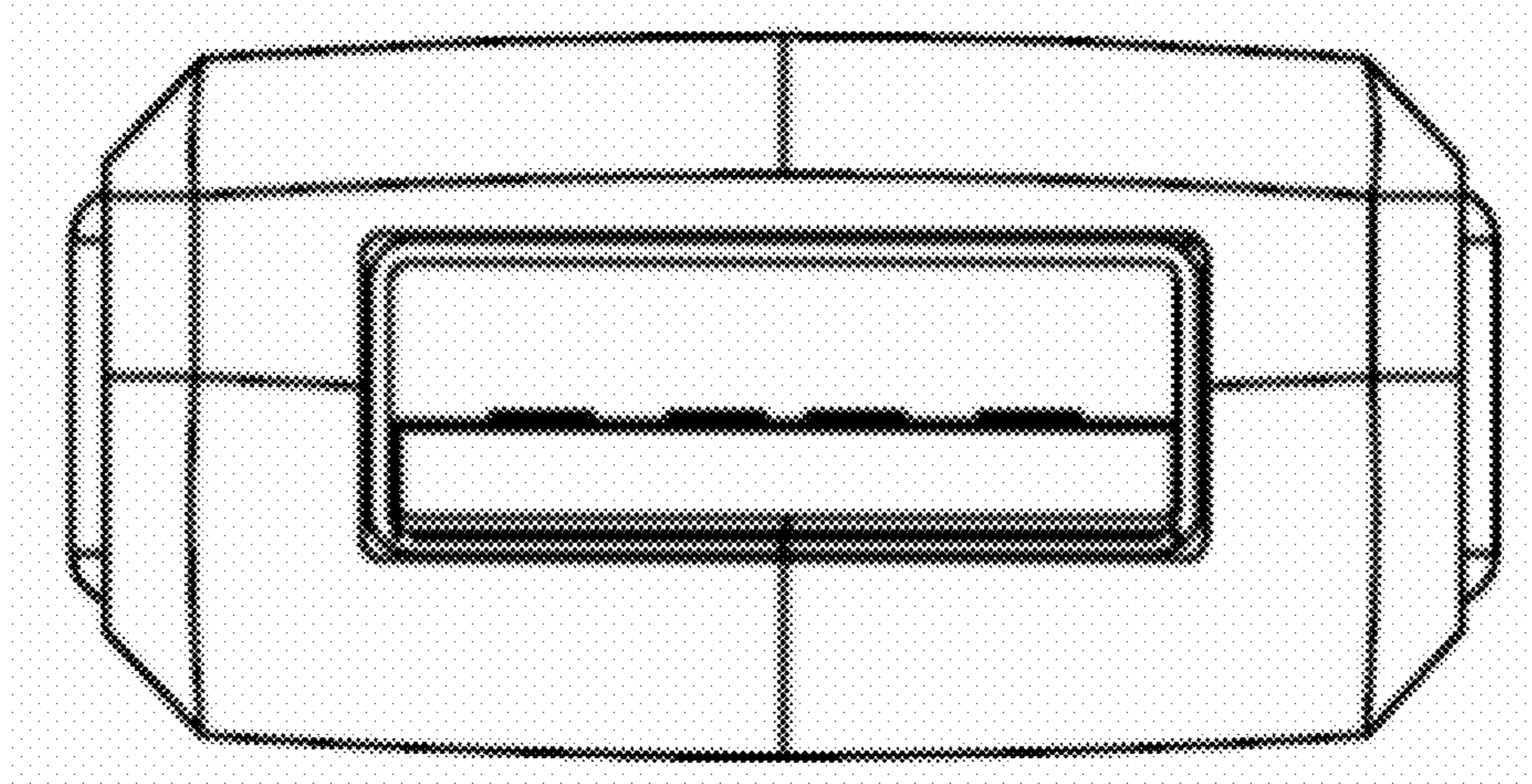


FIG. 3

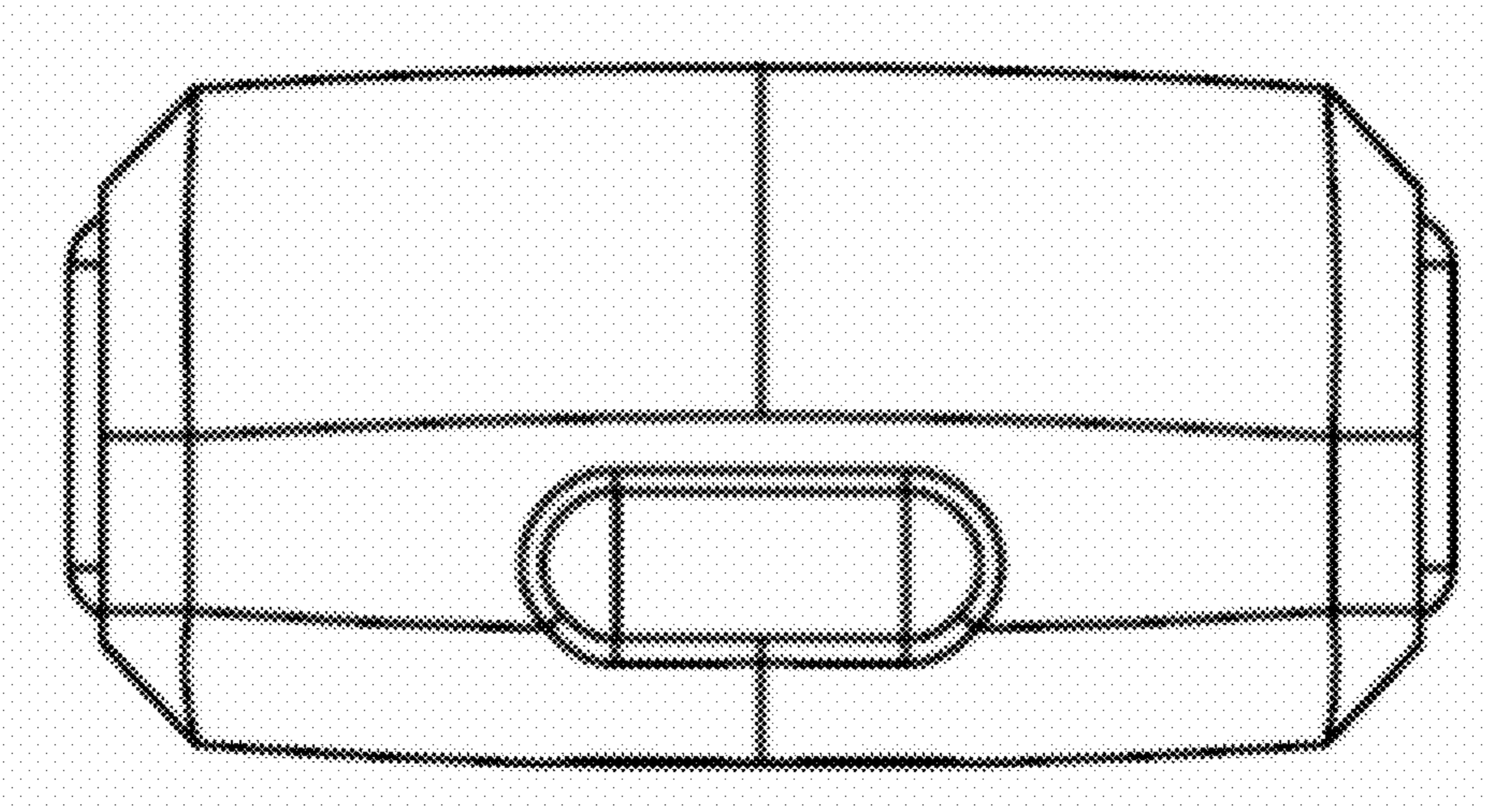


FIG. 4

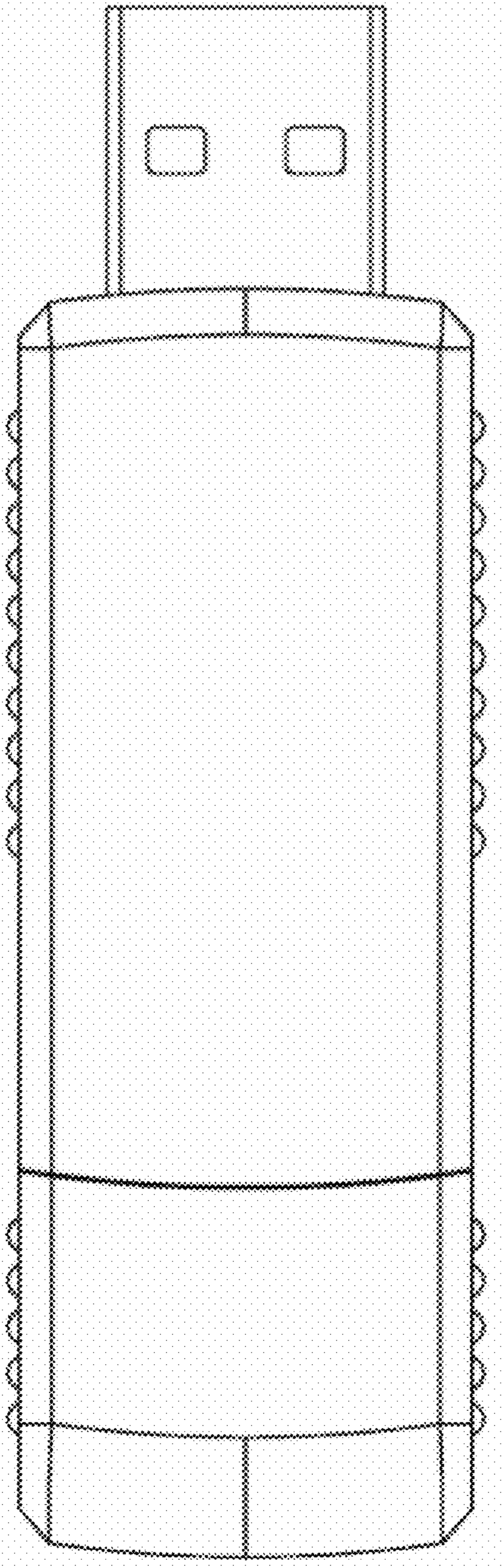


FIG. 5

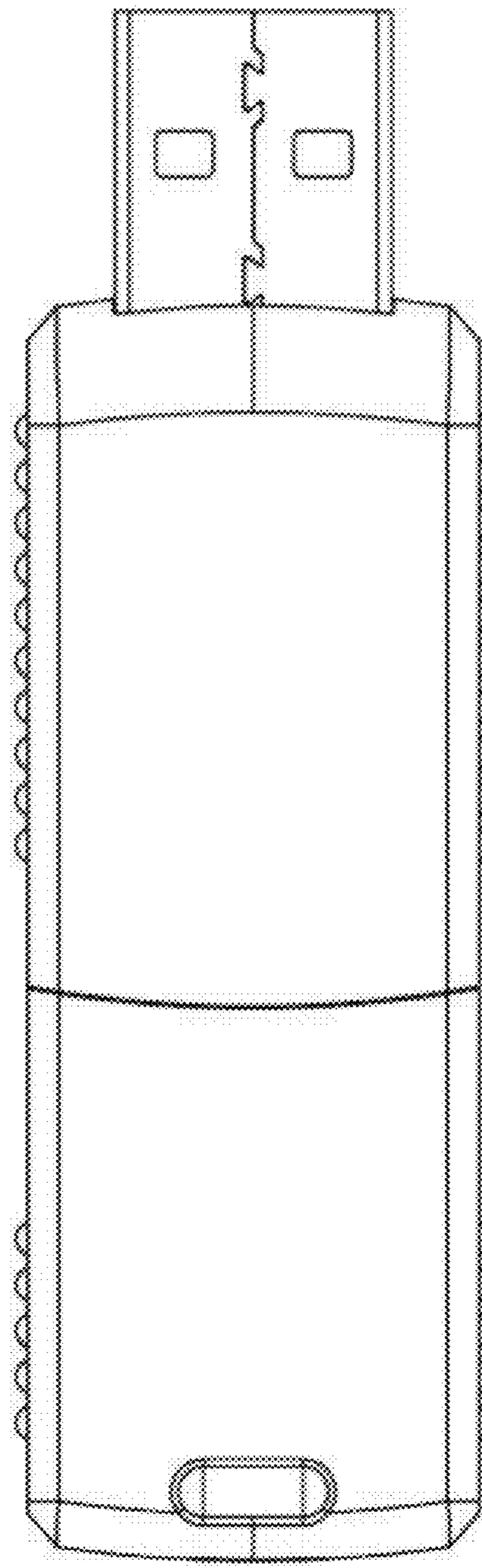


FIG. 6

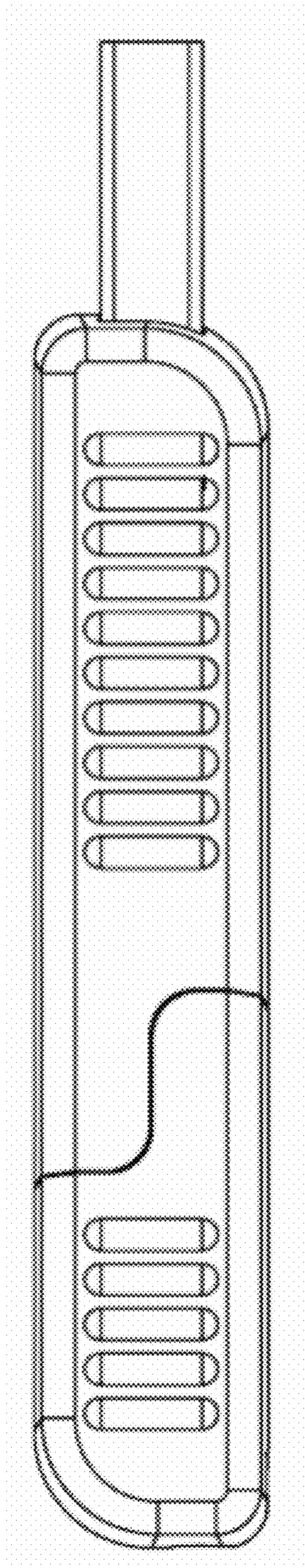


FIG. 7

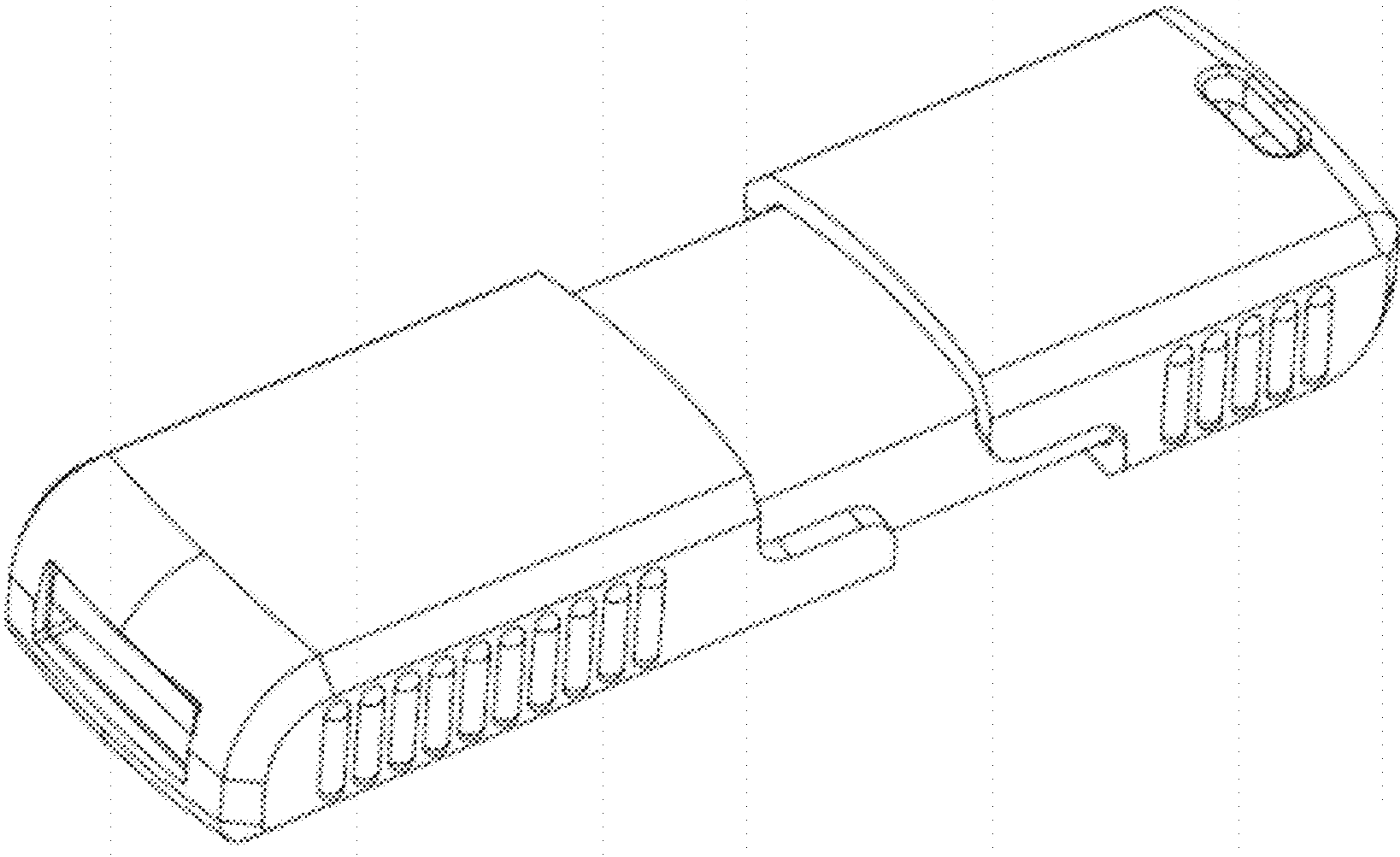


FIG. 8