



US00D669899S

(12) **United States Design Patent**  
**Cheng**

(10) **Patent No.:** **US D669,899 S**  
(45) **Date of Patent:** **\*\* Oct. 30, 2012**

(54) **BLUETOOTH DONGLE**

(75) Inventor: **Jung-Ching Cheng**, New Taipei (TW)

(73) Assignee: **Cheng UEI Precision Industry Co., Ltd.**, New Taipei (TW)

(\*\*) Term: **14 Years**

(21) Appl. No.: **29/398,353**

(22) Filed: **Jul. 29, 2011**

(51) **LOC (9) Cl.** ..... **14-03**

(52) **U.S. Cl.** ..... **D14/435.1**

(58) **Field of Classification Search** ..... D14/411,  
D14/433, 435, 435.1, 436-438, 455, 480.1-480.7,  
D14/484.1, 137, 155, 203.1-203.8, 218, 240;  
D13/133, 146-147, 154, 168; 710/300, 301;  
439/131, 135-147; 361/679.31, 679.33,  
361/679.4, 752; 711/100, 115; D21/566;  
D10/104, 106; 345/169; 348/14.05, 114,  
348/734; 341/22; 455/92, 95, 128, 151.1-151.4,  
455/352, 355, FOR. 121; 700/65

See application file for complete search history.

(56) **References Cited**

**U.S. PATENT DOCUMENTS**

D392,944 S \* 3/1998 Issa ..... D13/168  
D409,578 S \* 5/1999 Jones ..... D13/168  
D445,422 S \* 7/2001 Hsin ..... D14/385

D449,615 S \* 10/2001 Lloyd ..... D14/435.1  
D522,518 S \* 6/2006 Loftus ..... D14/480.1  
D562,819 S \* 2/2008 Yu et al. .... D14/385  
7,361,032 B2 \* 4/2008 Loftus ..... 439/131  
D569,375 S \* 5/2008 Yu et al. .... D14/385  
D589,889 S \* 4/2009 Wu et al. .... D13/147  
D619,965 S \* 7/2010 Hou ..... D13/147  
7,841,873 B2 \* 11/2010 Zhu et al. .... 439/131  
D661,680 S \* 6/2012 Wei et al. .... D14/155  
2006/0056145 A1 \* 3/2006 Wu et al. .... 361/684

\* cited by examiner

*Primary Examiner* — Karen E Kearney

(74) *Attorney, Agent, or Firm* — Cheng-Ju Chiang

(57) **CLAIM**

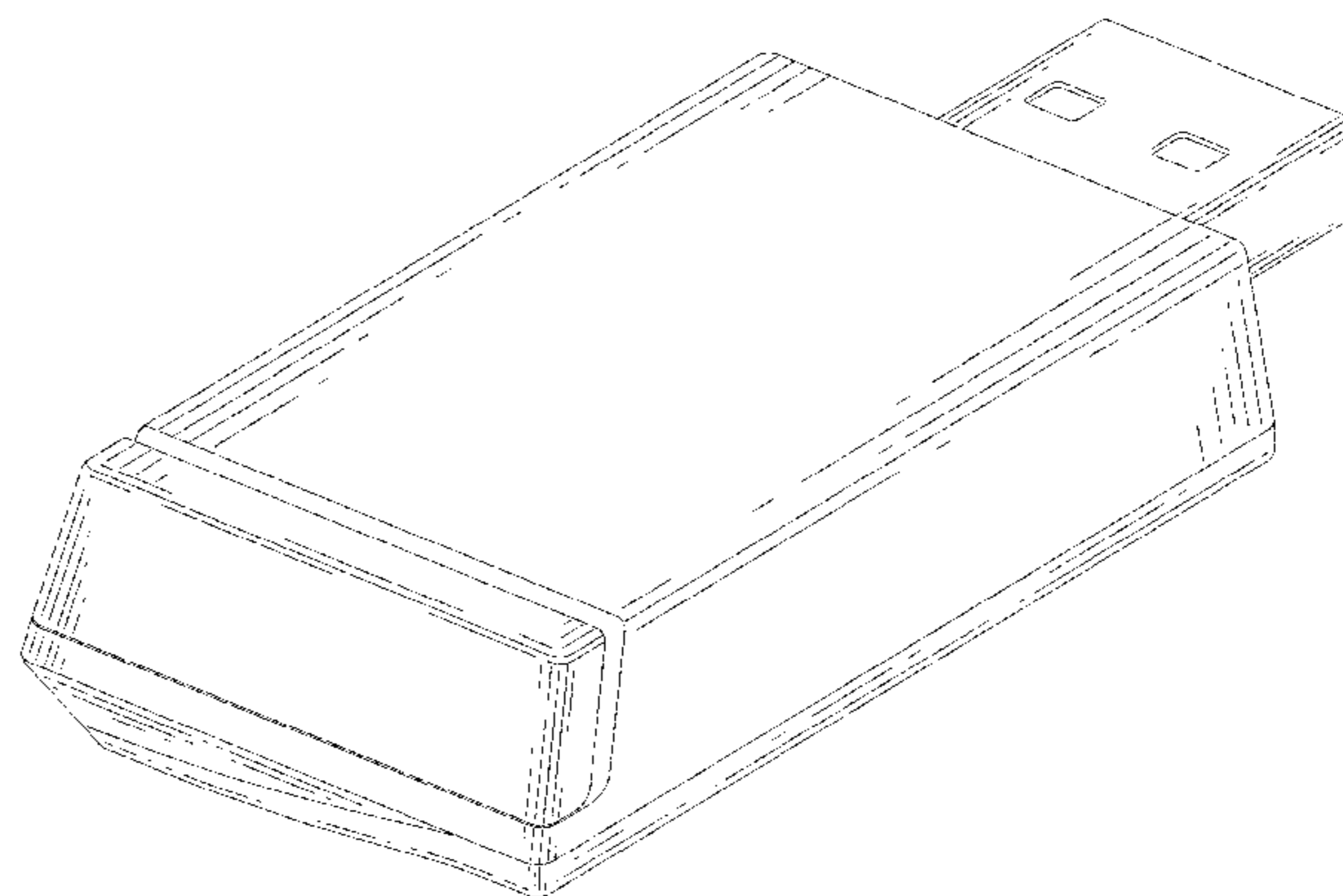
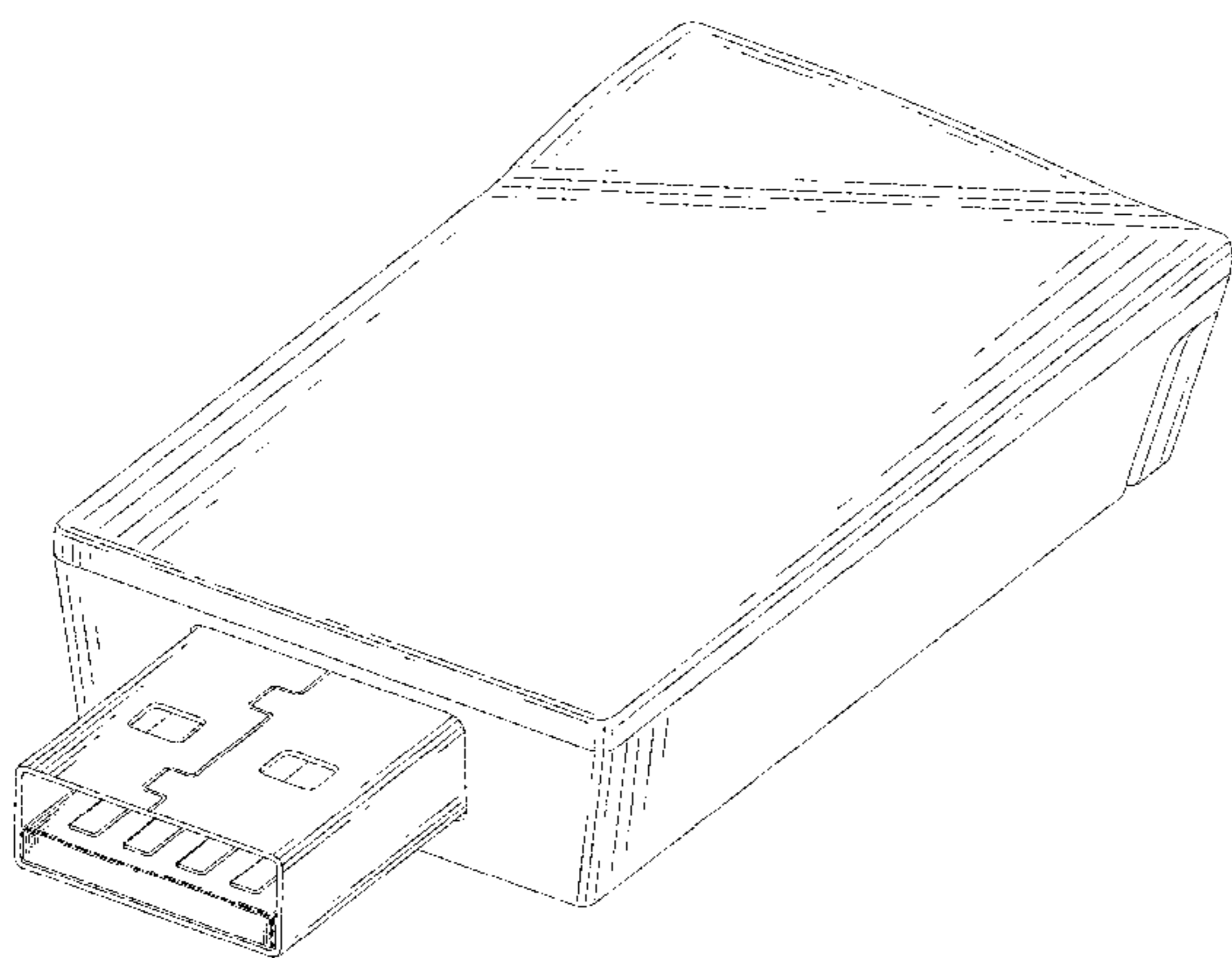
The ornamental design for a bluetooth dongle, as shown and described.

**DESCRIPTION**

FIG. 1 is a perspective view of a bluetooth dongle showing my new design;  
FIG. 2 is a front elevational view thereof;  
FIG. 3 is a rear elevational view thereof;  
FIG. 4 is a left side elevational view thereof;  
FIG. 5 is a right side elevational view thereof;  
FIG. 6 is a top plan view thereof;  
FIG. 7 is a bottom plan view thereof; and,  
FIG. 8 is another perspective view of the bluetooth dongle showing my new design.

The broken line portion of the figure drawings is included to show unclaimed subject matter only and forms no part of the claimed design.

**1 Claim, 8 Drawing Sheets**



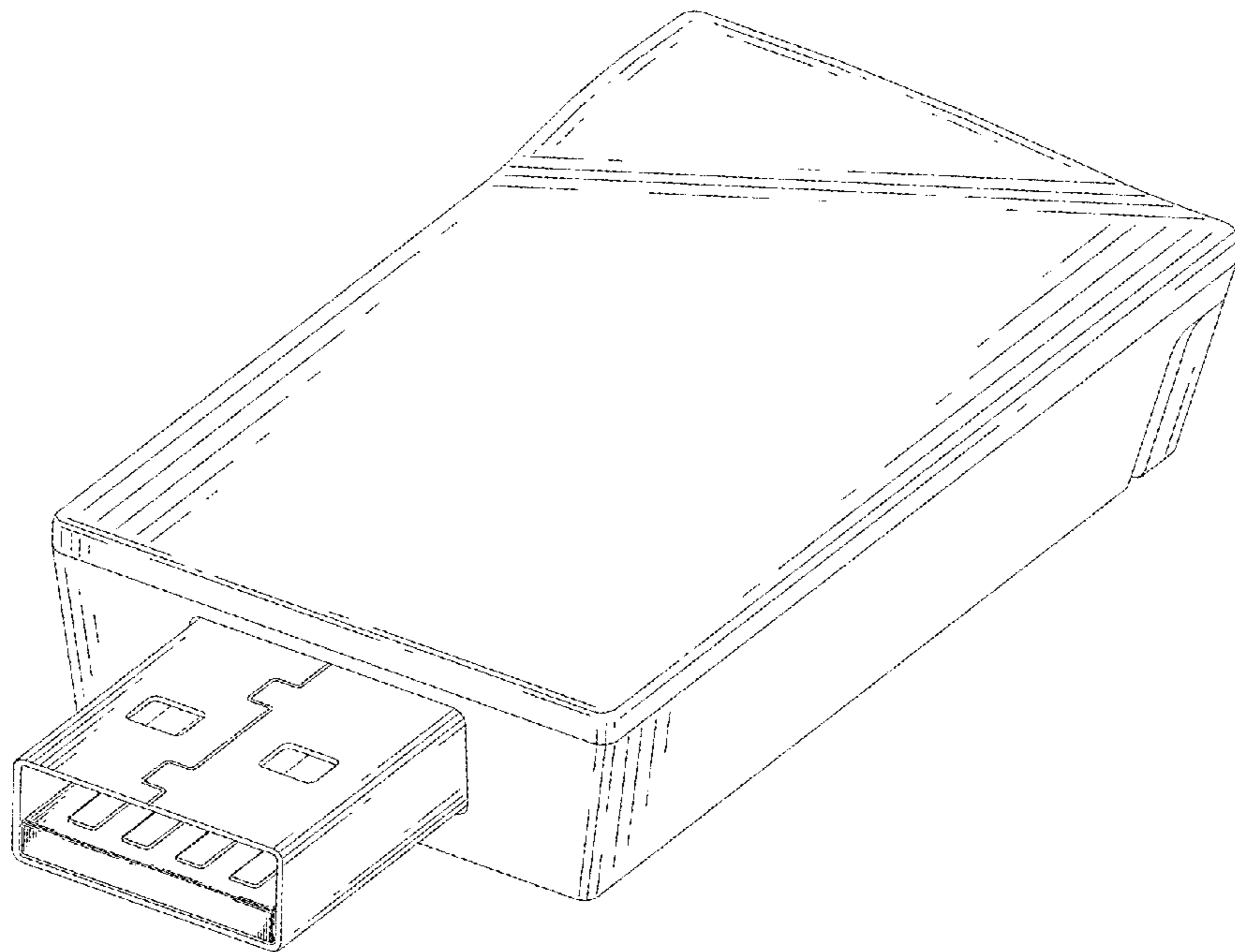


FIG. 1

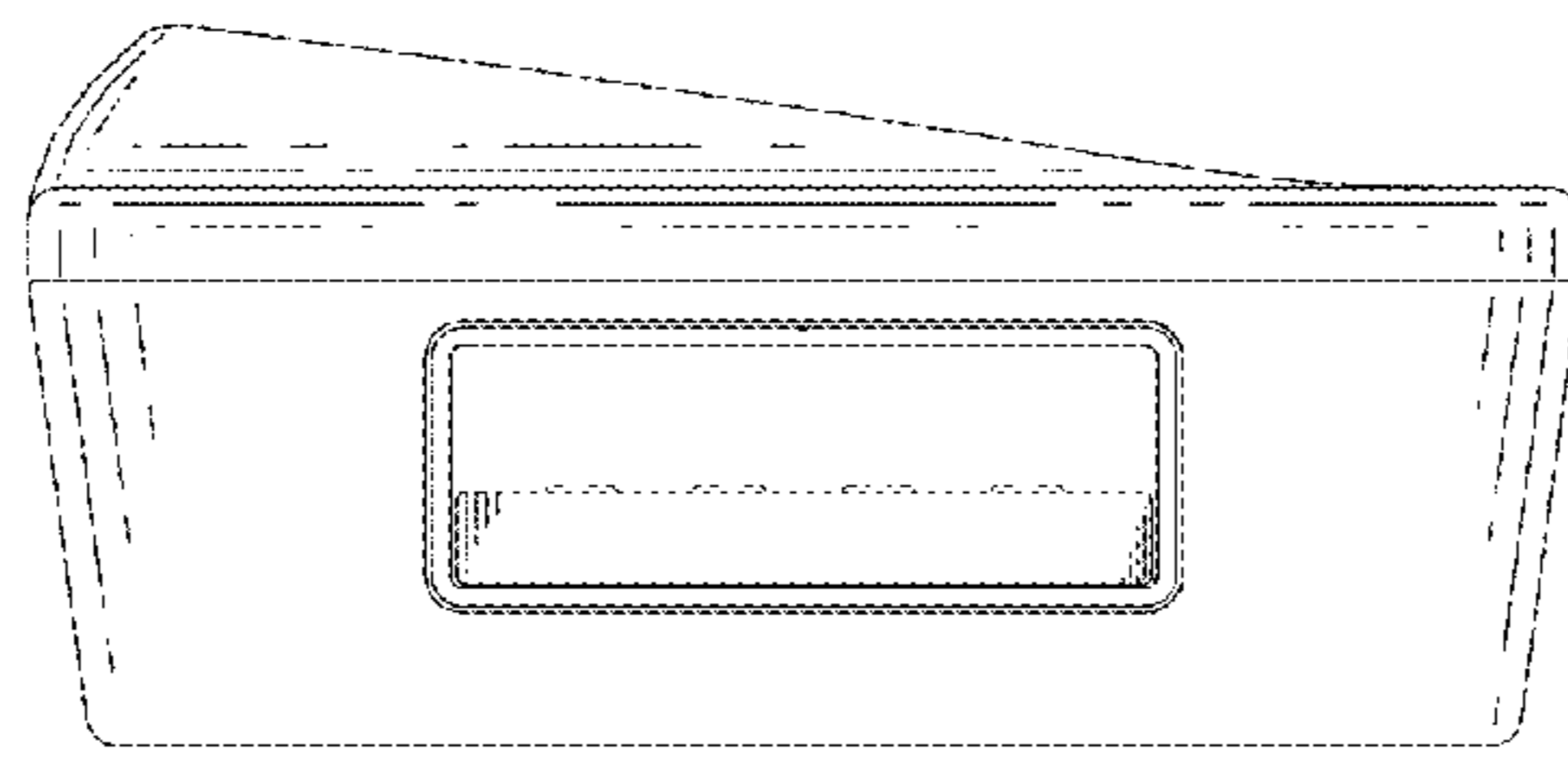


FIG. 2

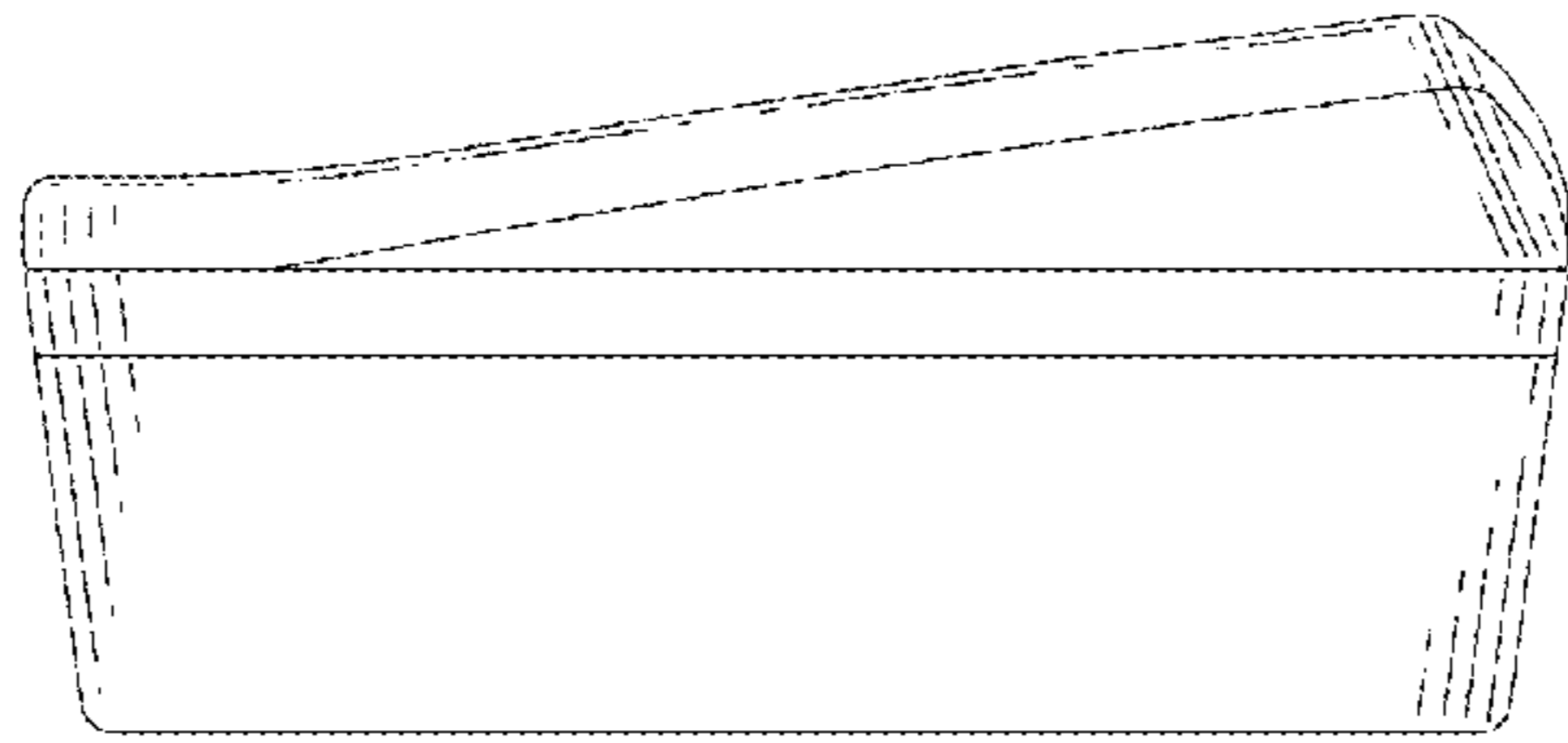


FIG. 3

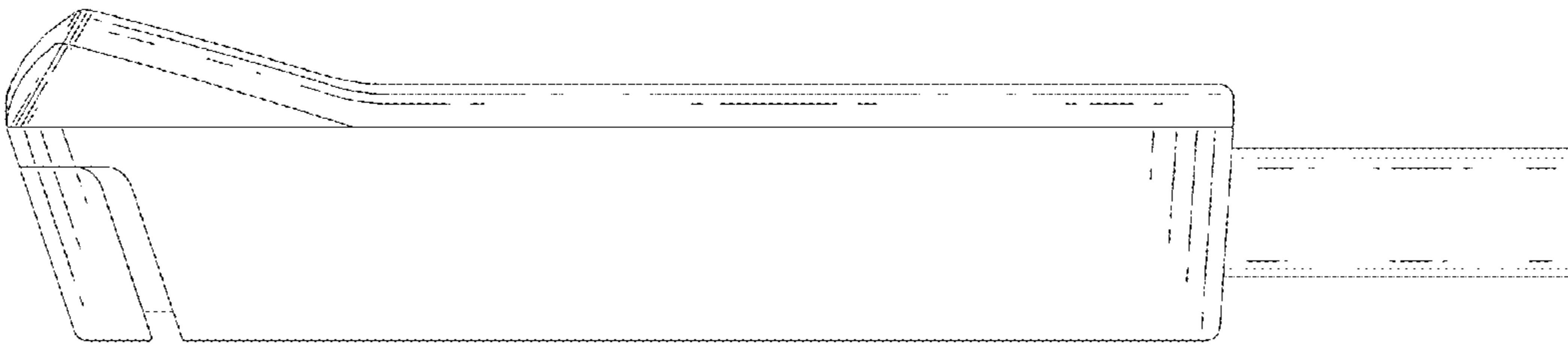


FIG. 4

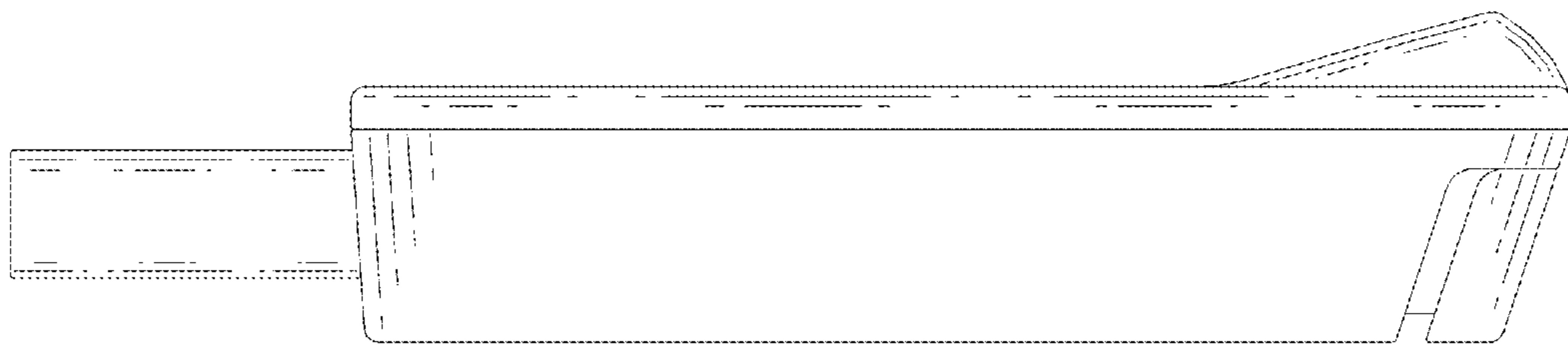


FIG. 5

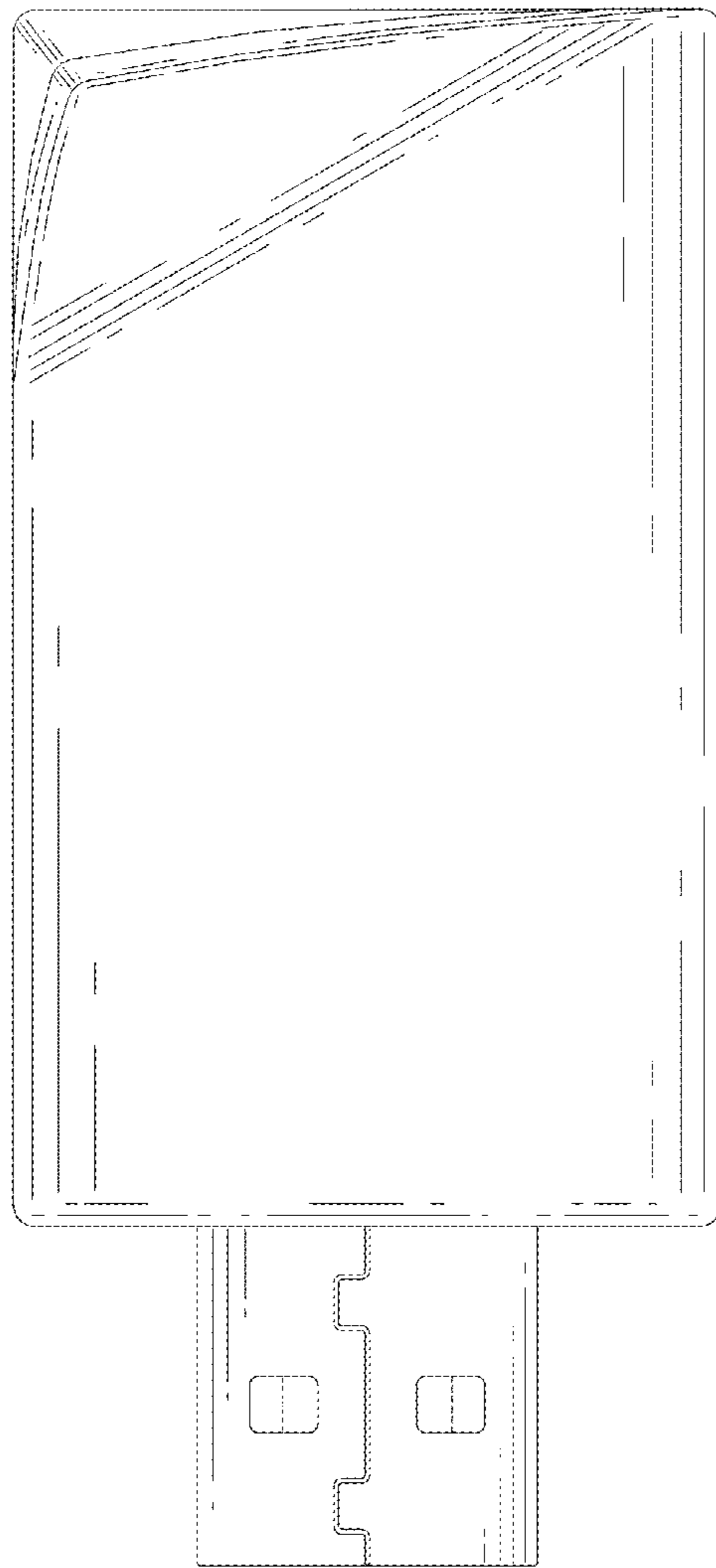


FIG. 6

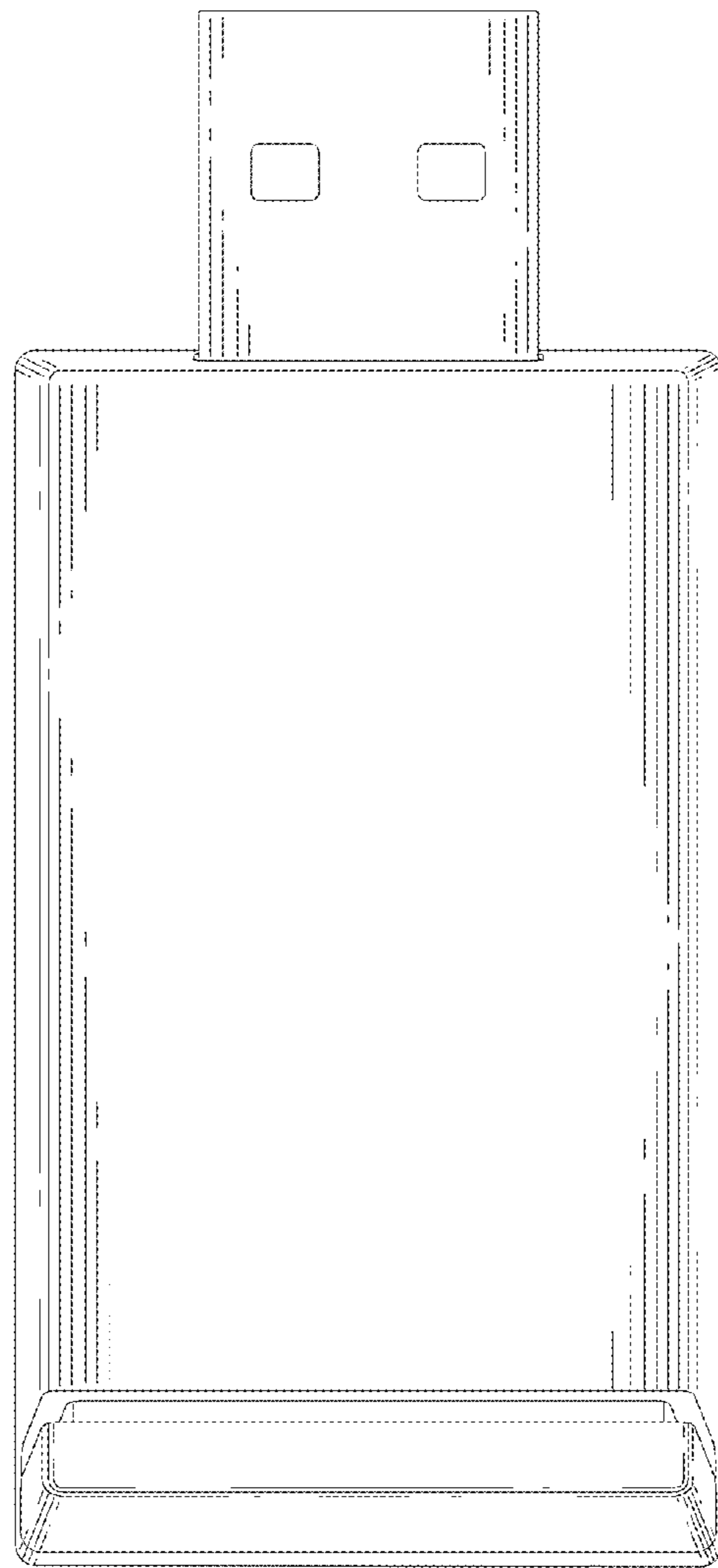


FIG. 7



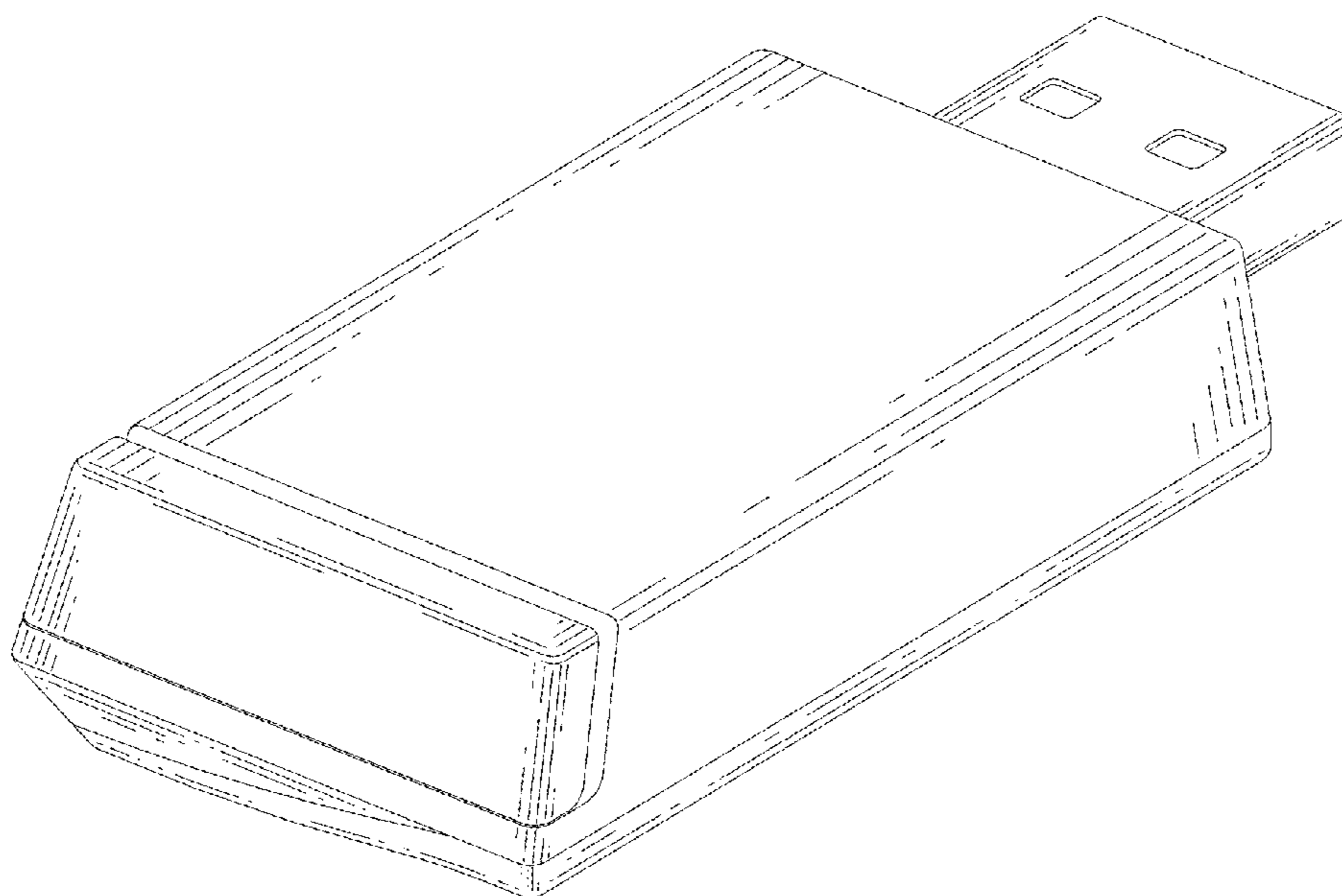


FIG. 8