



US00D669895S

(12) **United States Design Patent**
Li et al.

(10) **Patent No.:** **US D669,895 S**
(45) **Date of Patent:** **** Oct. 30, 2012**

(54) **INPUT DEVICE**

(75) Inventors: **Zu-Nan Li**, Taipei (TW); **Te-Haw Liu**, Taipei (TW); **Hsin-Chou Wang**, Taipei (TW)

(73) Assignee: **KYE Systems Corp.** (TW)

(**) Term: **14 Years**

(21) Appl. No.: **29/417,145**

(22) Filed: **Mar. 30, 2012**

(51) **LOC (9) Cl.** **14-02**

(52) **U.S. Cl.** **D14/409**

(58) **Field of Classification Search** D14/402-411,
D14/356, 388, 389, 383-385, 417, 426;
345/156-167; 463/36-38; 358/471, 473;
273/148 B

See application file for complete search history.

(56) **References Cited**

U.S. PATENT DOCUMENTS

D411,525 S * 6/1999 Franklin D14/409
D533,554 S * 12/2006 Sheehan et al. D14/409

D540,326 S * 4/2007 Chang D14/410
D558,205 S * 12/2007 Huang D14/408
D562,820 S * 2/2008 Fisher et al. D14/408
D562,821 S * 2/2008 Fisher et al. D14/408
D591,293 S * 4/2009 Manalo D14/402
D591,294 S * 4/2009 Manalo D14/402
D596,180 S * 7/2009 Manalo et al. D14/406
D606,075 S * 12/2009 Manalo et al. D14/406
D607,452 S * 1/2010 Manalo et al. D14/402

* cited by examiner

Primary Examiner — Austin Murphy

(74) *Attorney, Agent, or Firm* — Raymond Sun

(57) **CLAIM**

The ornamental design for a input device, as shown.

DESCRIPTION

FIG. 1 is a perspective view of an input device showing my new design.

FIG. 2 is a front elevational view thereof;

FIG. 3 is a rear elevational view thereof;

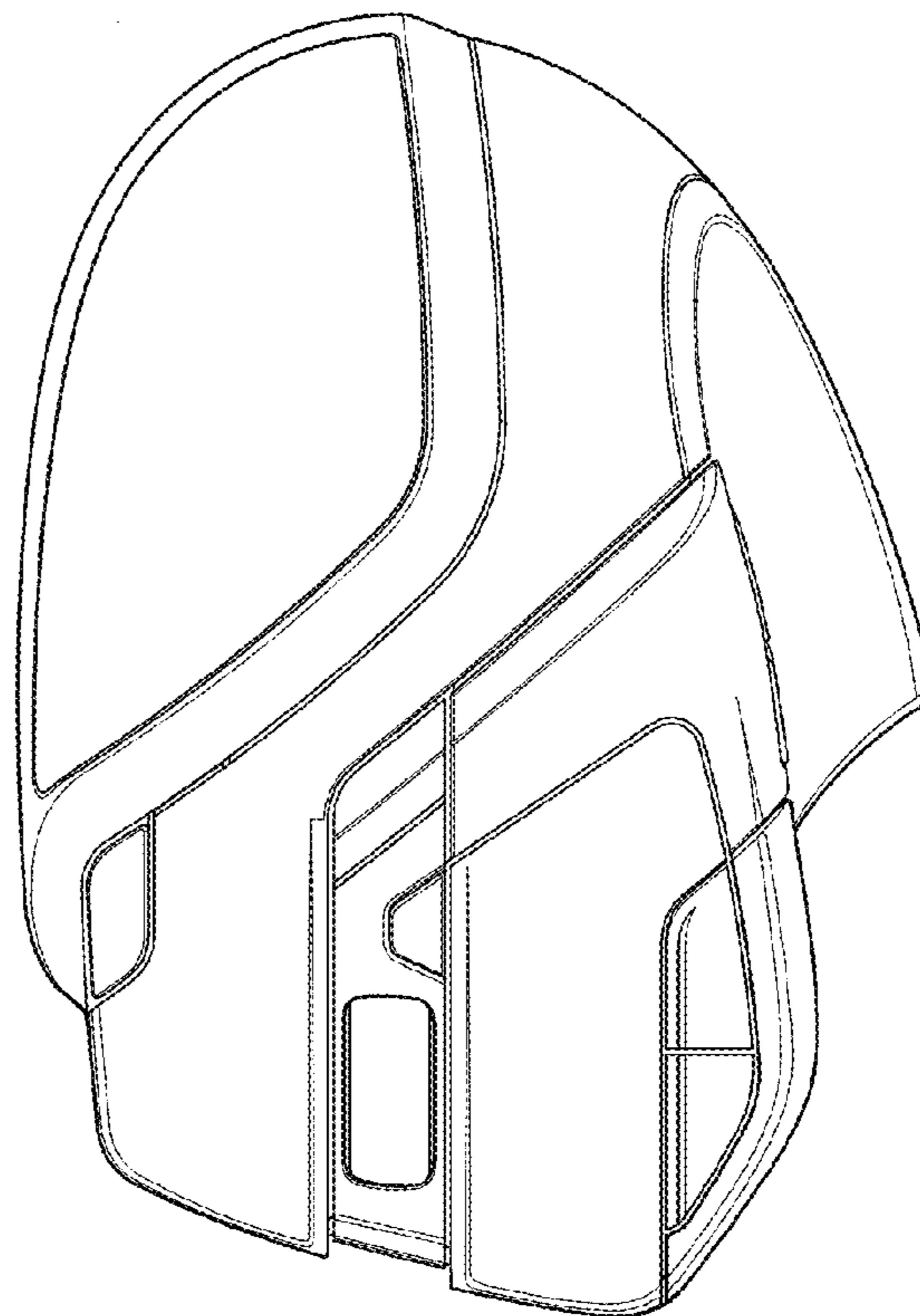
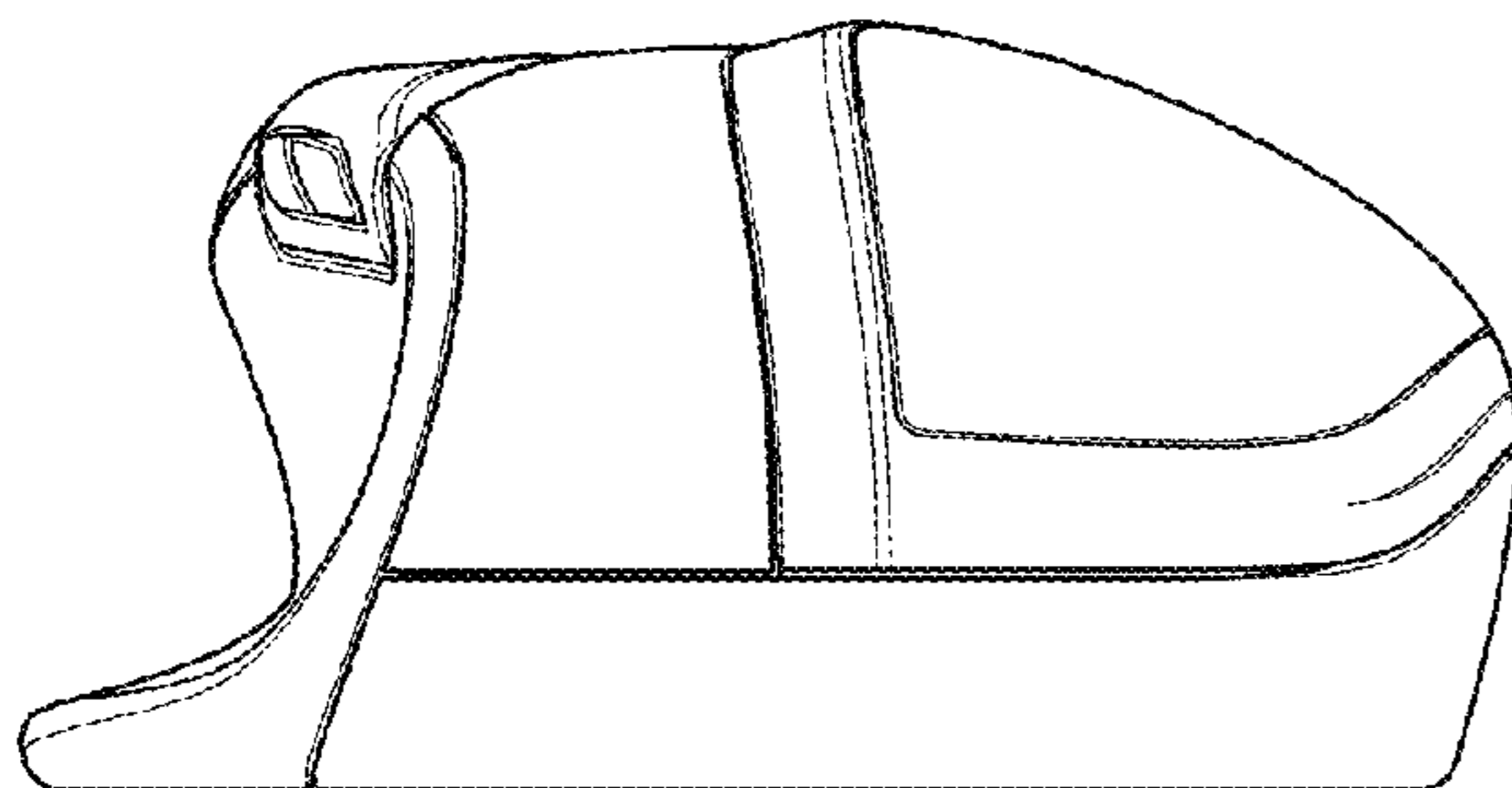
FIG. 4 is a left elevational view thereof;

FIG. 5 is a right elevational view thereof

FIG. 6 is a top plan view thereof; and,

FIG. 7 is a bottom plan view, thereof.

1 Claim, 7 Drawing Sheets



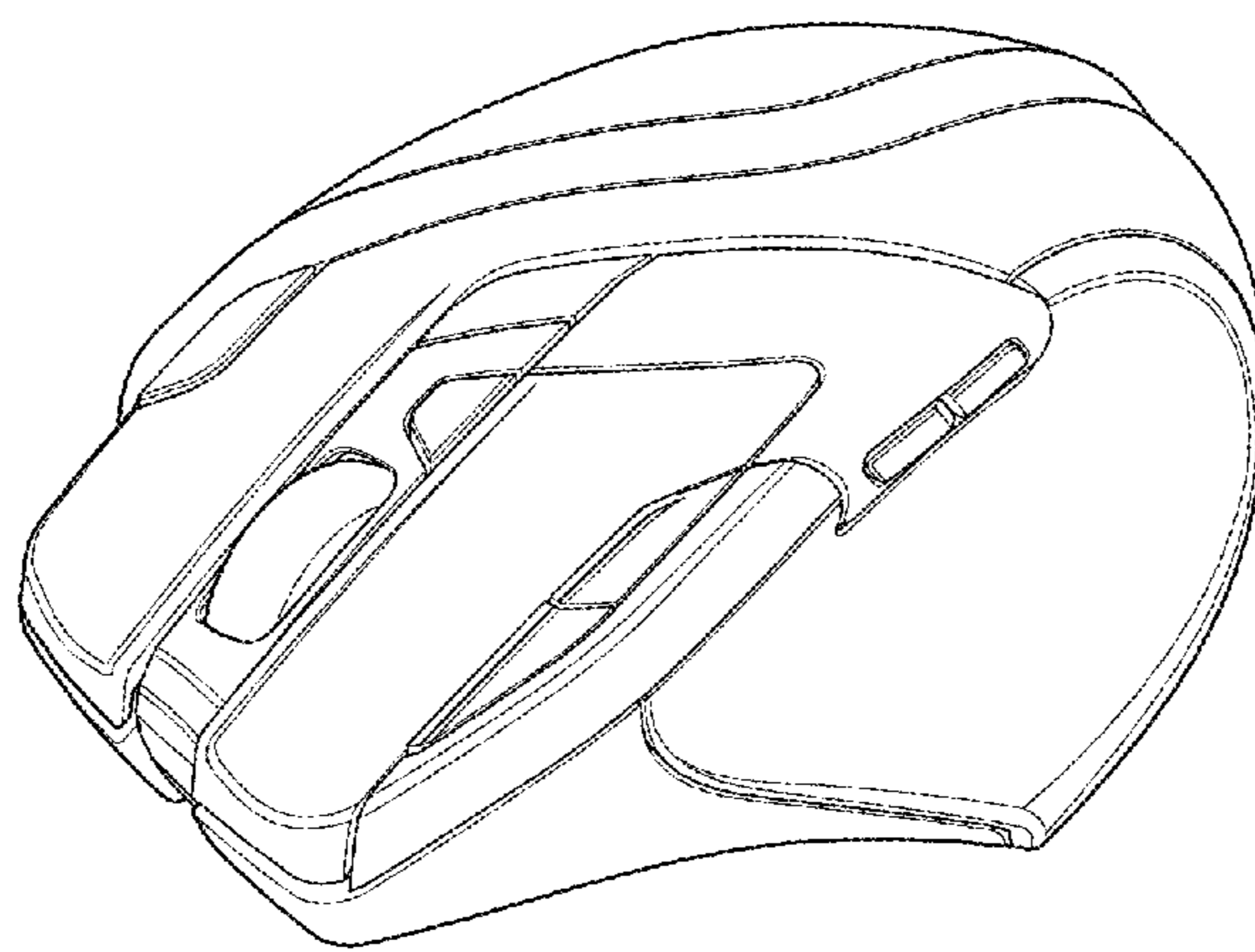


FIG.1

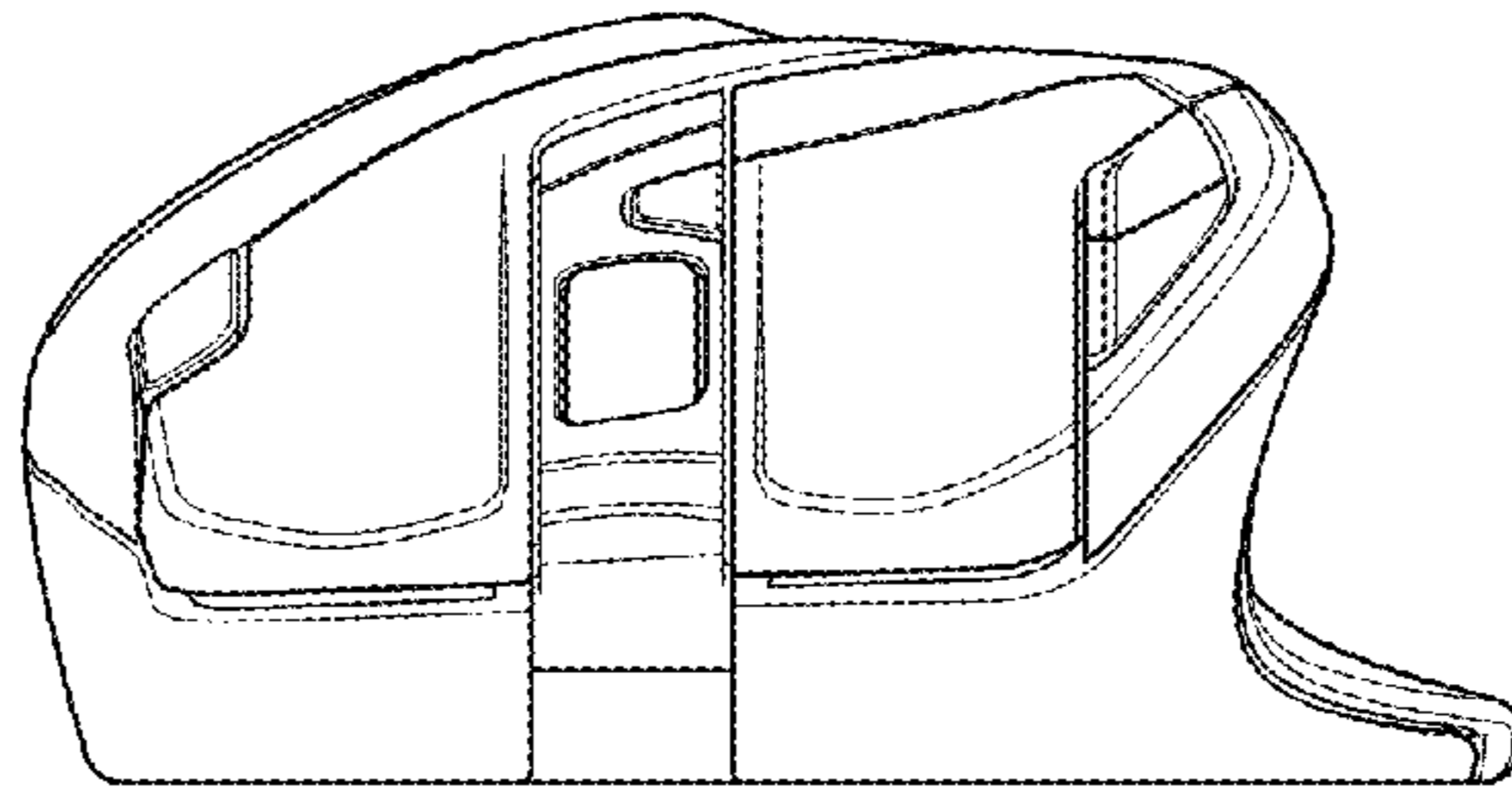


FIG.2

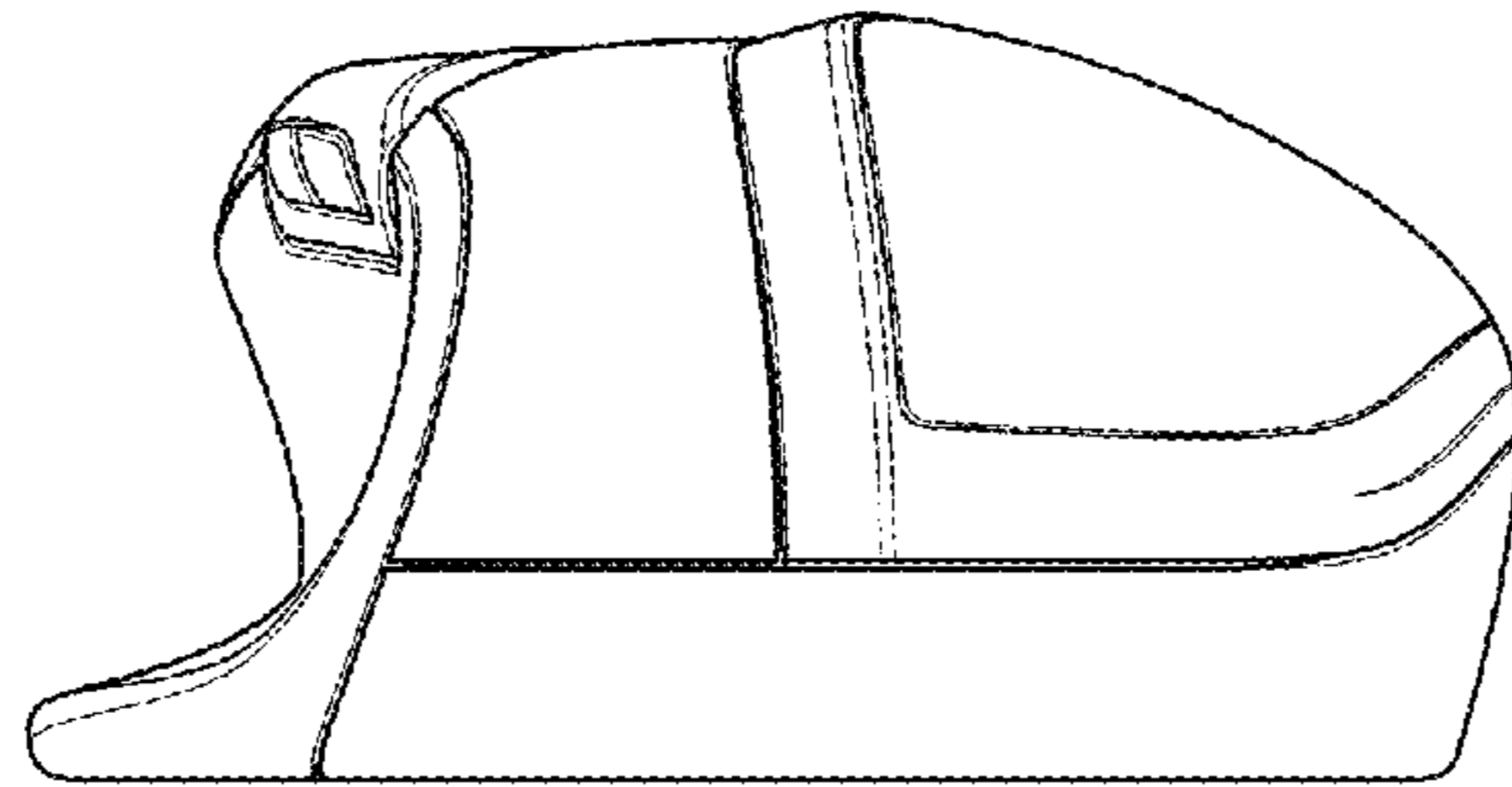


FIG.3

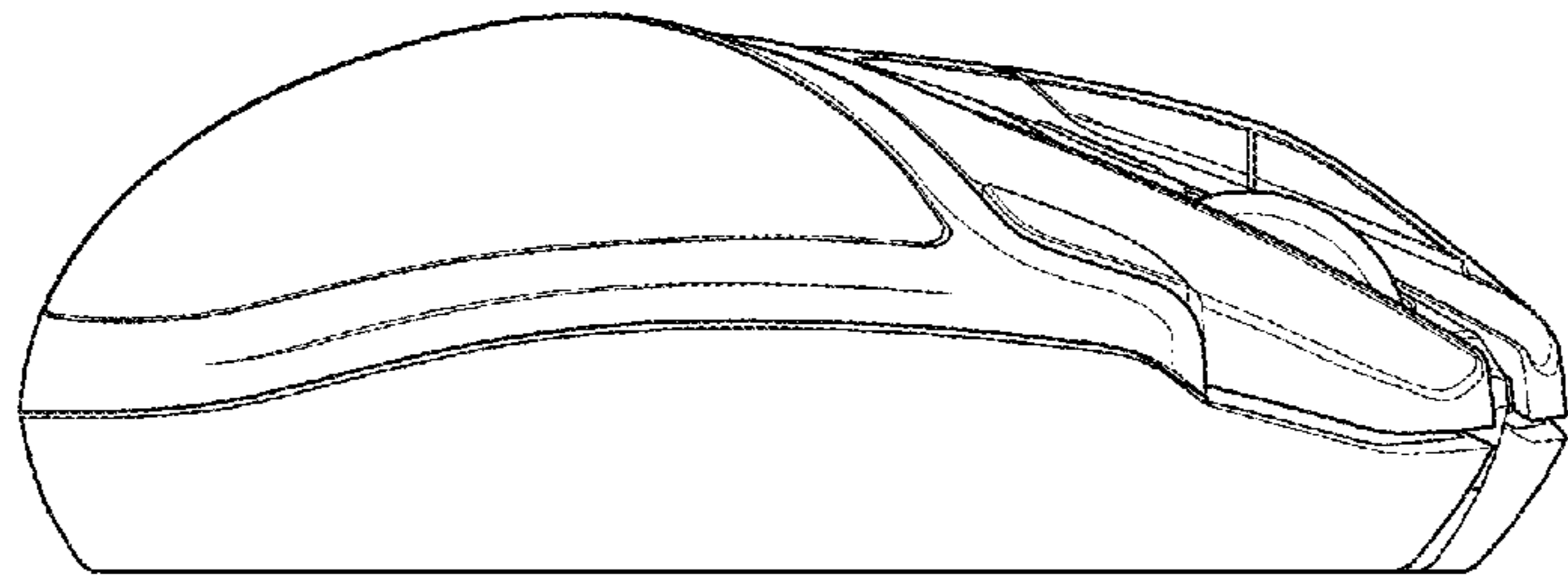


FIG.4

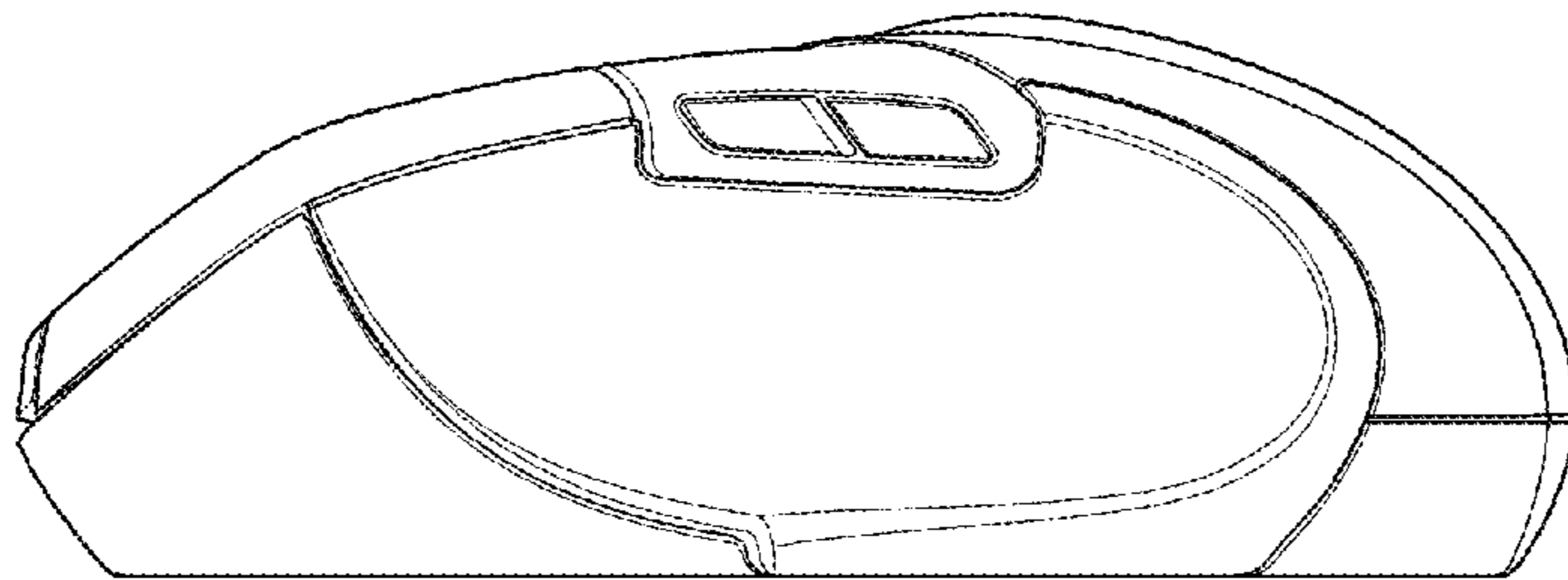


FIG.5

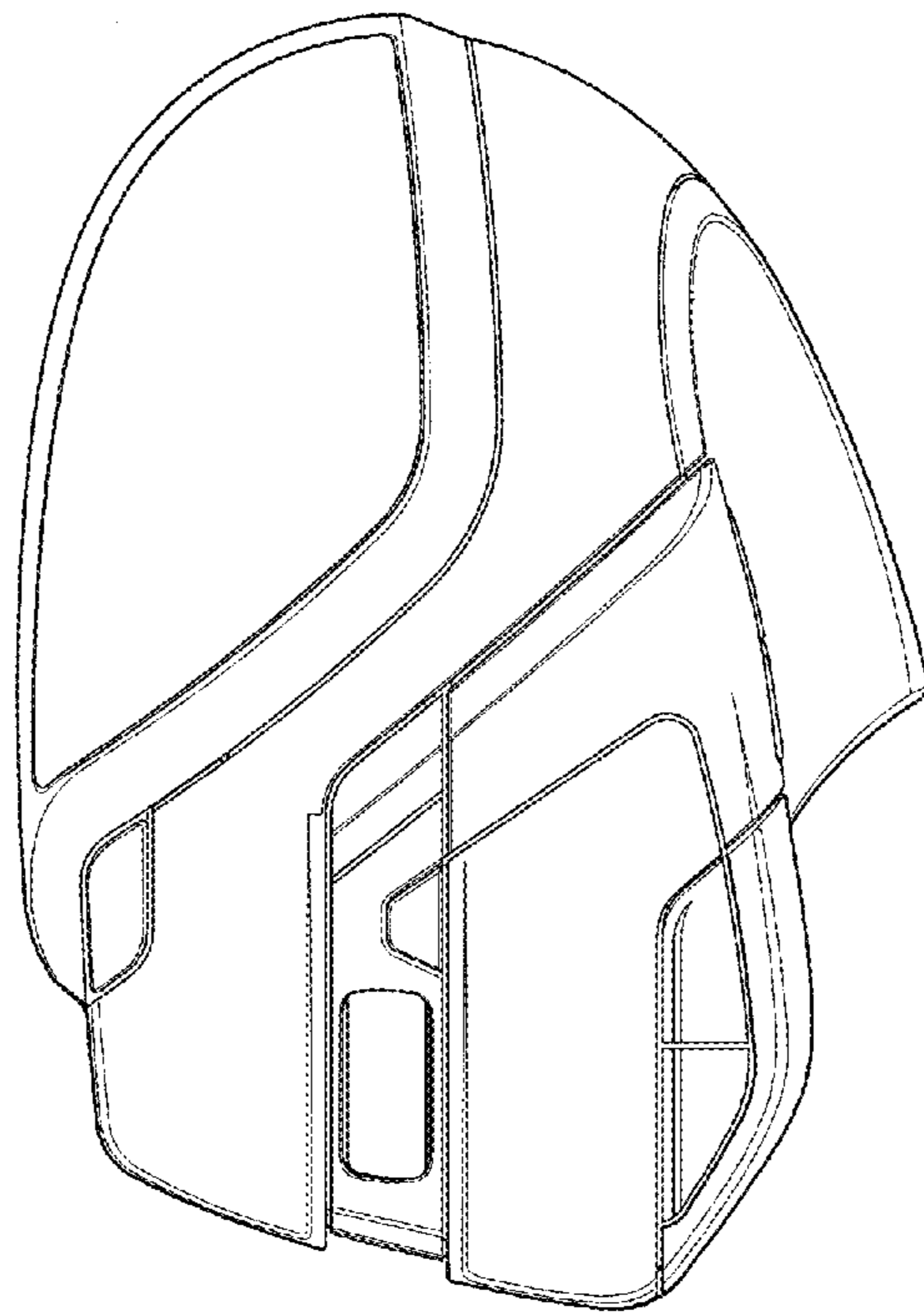


FIG.6

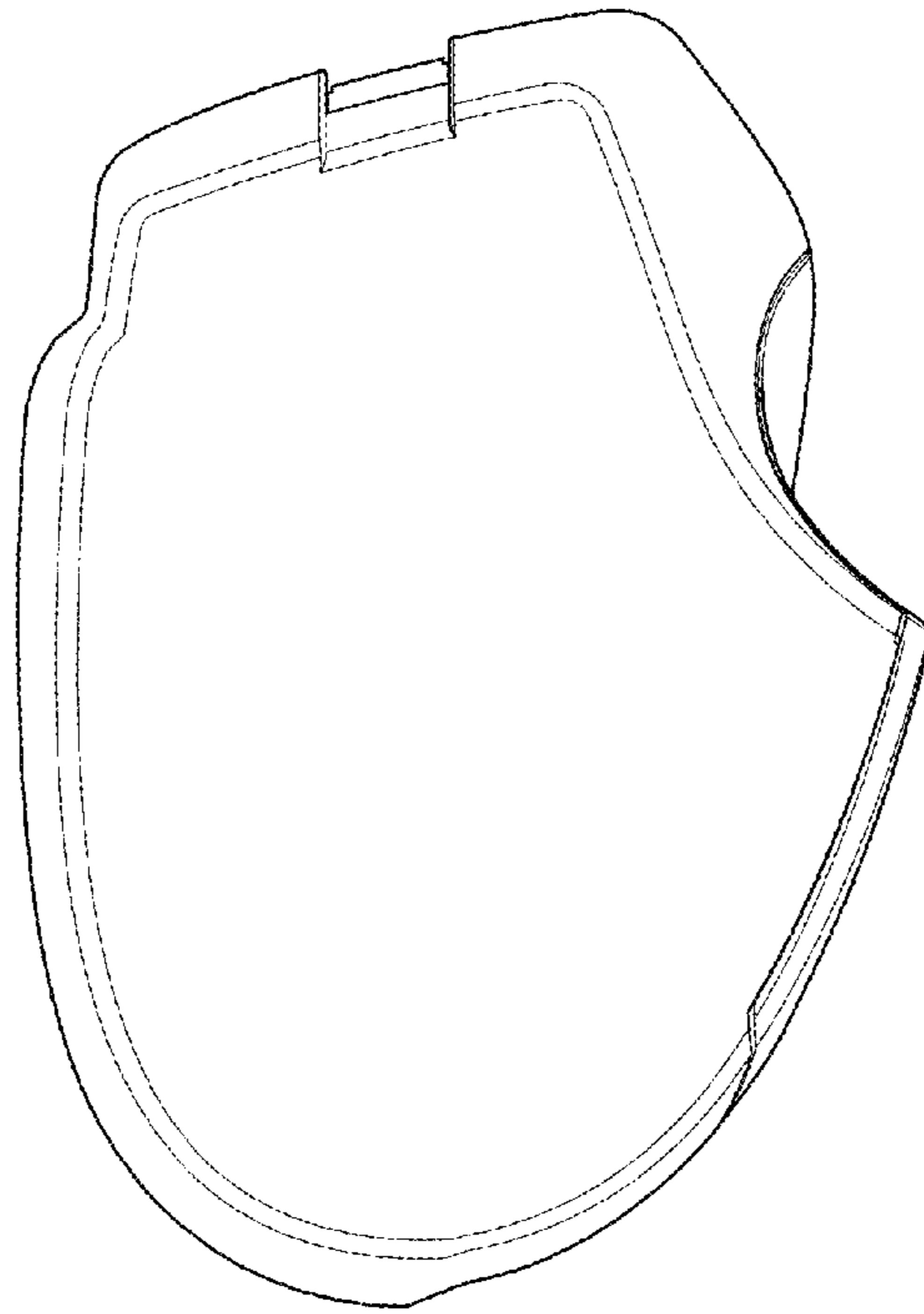


FIG.7