



US00D669891S

(12) **United States Design Patent**
Bowles et al.

(10) **Patent No.:** **US D669,891 S**
(45) **Date of Patent:** **** Oct. 30, 2012**

(54) **KIOSK FOR RECYCLING ELECTRONIC DEVICES**

(75) Inventors: **Mark Vincent Bowles**, La Jolla, CA (US); **Thomas L. Tullie**, Rancho Santa Fe, CA (US); **John Andrew Beane**, San Diego, CA (US); **John Miller**, San Diego, CA (US); **Neil Vesco**, San Diego, CA (US); **Charles Stanley Curbbun**, Encinitas, CA (US); **William John Leach**, San Diego, CA (US); **Lee-Anne Stossell**, Laguna Niguel, CA (US)

(73) Assignee: **ecoATM, Inc.**, San Diego, CA (US)

(**) Term: **14 Years**

(21) Appl. No.: **29/405,387**

(22) Filed: **Nov. 1, 2011**

(51) **LOC (9) Cl.** **14-02**

(52) **U.S. Cl.** **D14/307**

(58) **Field of Classification Search** D14/302-307, D14/900-902; D13/163; D20/10; D21/332, D21/325, 369, 370; D99/28; D6/397, 466; 194/206; 361/679.01, 679.02, 679.04, 679.21, 361/679.57, 725; 700/14.37, 231, 232

See application file for complete search history.

(56) **References Cited**

U.S. PATENT DOCUMENTS

D327,766	S	*	7/1992	Swaine et al.	D99/28
D377,784	S	*	2/1997	Wilson	D14/302
D389,522	S	*	1/1998	Hesselbach et al.	D20/10
D415,330	S	*	10/1999	King	D99/28
D417,893	S	*	12/1999	Hunter et al.	D20/10
D436,999	S	*	1/2001	Cronley	D20/10
D594,068	S	*	6/2009	Hsu	D21/370
D605,189	S	*	12/2009	Kuroda	D14/307

7,881,965	B2	*	2/2011	Bowles et al.	705/14.37
D637,595	S	*	5/2011	Mizusugi	D14/307
D646,269	S	*	10/2011	Crick et al.	D14/307
D661,292	S	*	6/2012	Kuroda et al.	D14/307
D661,293	S	*	6/2012	Kuroda et al.	D14/307
8,195,511	B2	*	6/2012	Bowles et al.	705/14.37
8,239,262	B2	*	8/2012	Bowles et al.	705/14.37
2007/0010910	A1	*	1/2007	Pinney et al.	700/231
2011/0137455	A1	*	6/2011	Pinney et al.	700/232
2012/0191562	A1	*	7/2012	Bowles et al.	705/26.3

* cited by examiner

Primary Examiner — Austin Murphy

(74) *Attorney, Agent, or Firm* — Clause Eight IPS; Michael Catania

(57) **CLAIM**

The ornamental design for a kiosk for recycling electronic devices, as shown and described.

DESCRIPTION

FIG. 1 is a front plan view of a kiosk for recycling electronic devices.

FIG. 2 is a front top perspective view of a kiosk for recycling electronic devices.

FIG. 3 is a side view of a kiosk for recycling electronic devices.

FIG. 4 is a rear top perspective view of a kiosk for recycling electronic devices.

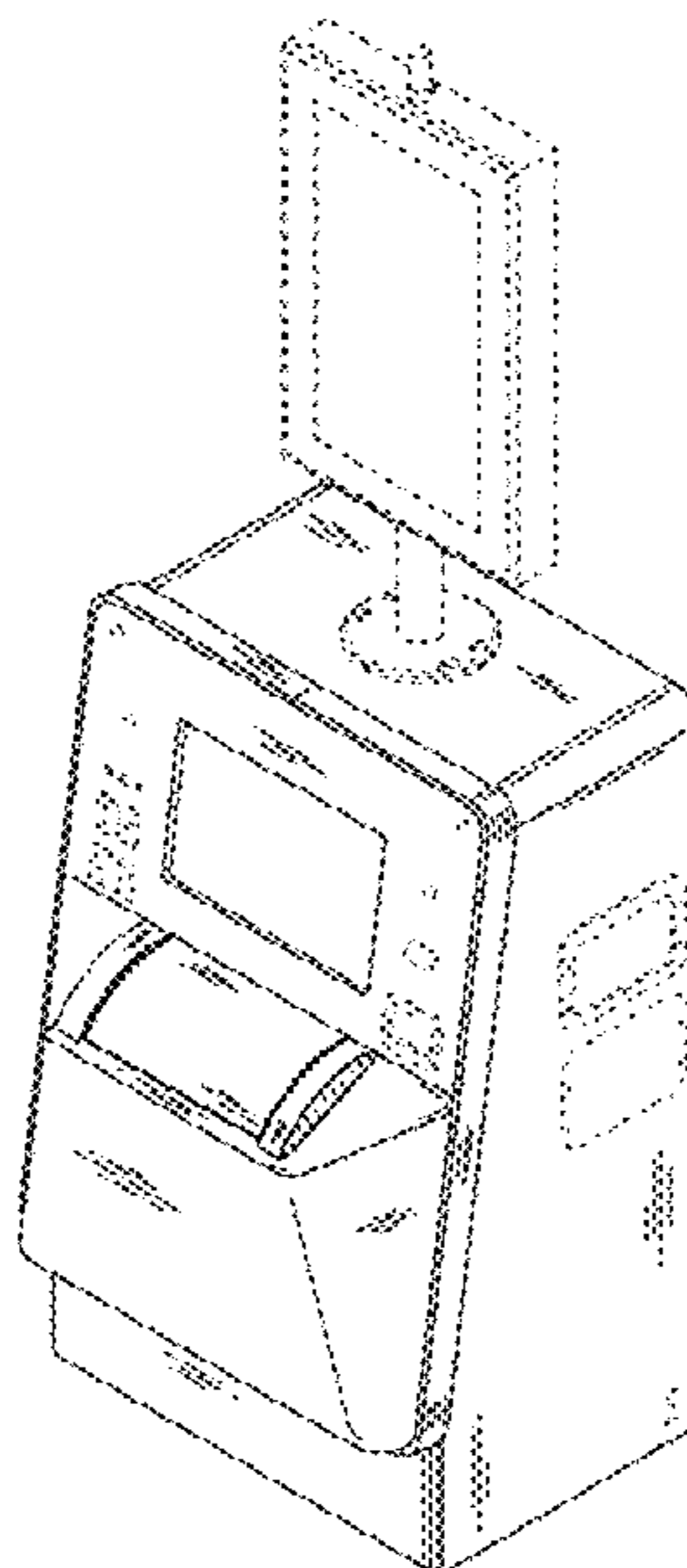
FIG. 5 is a side view of a kiosk for recycling electronic devices.

FIG. 6 is a bottom plan view of a kiosk for recycling electronic devices; and,

FIG. 7 is a bottom plan view of a kiosk for recycling electronic devices.

The broken line showing is for illustrative purposes only and forms no part of the claimed design.

1 Claim, 4 Drawing Sheets



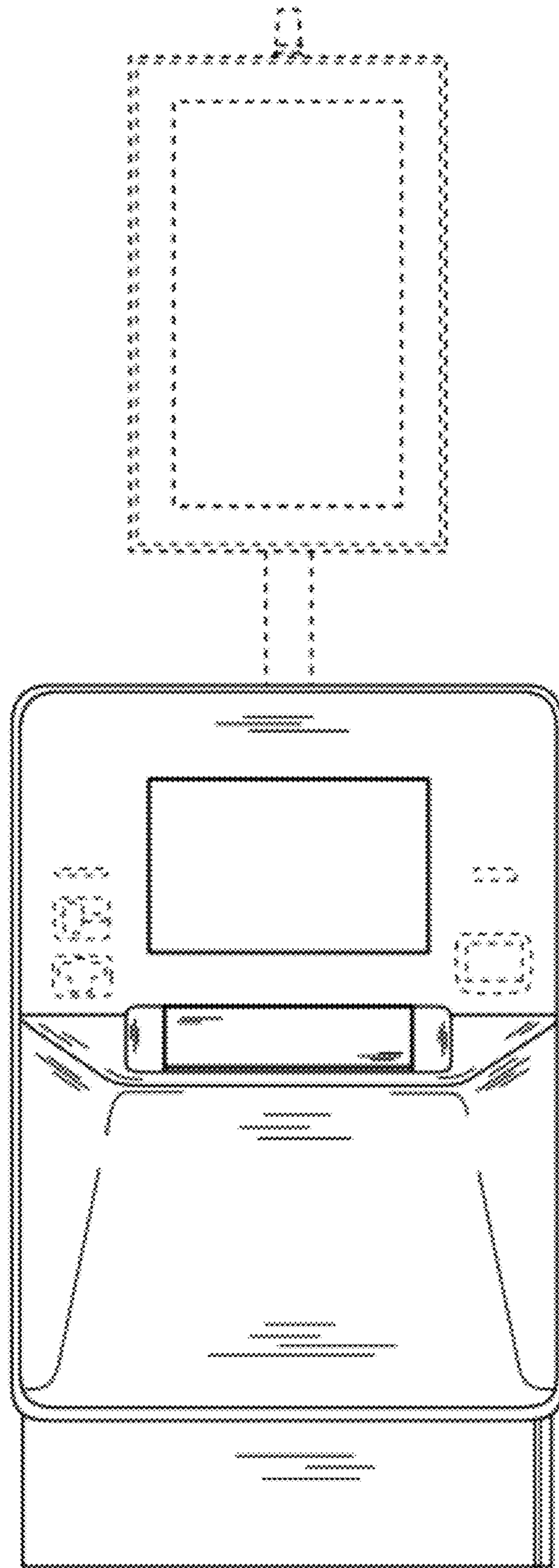


FIG. 1

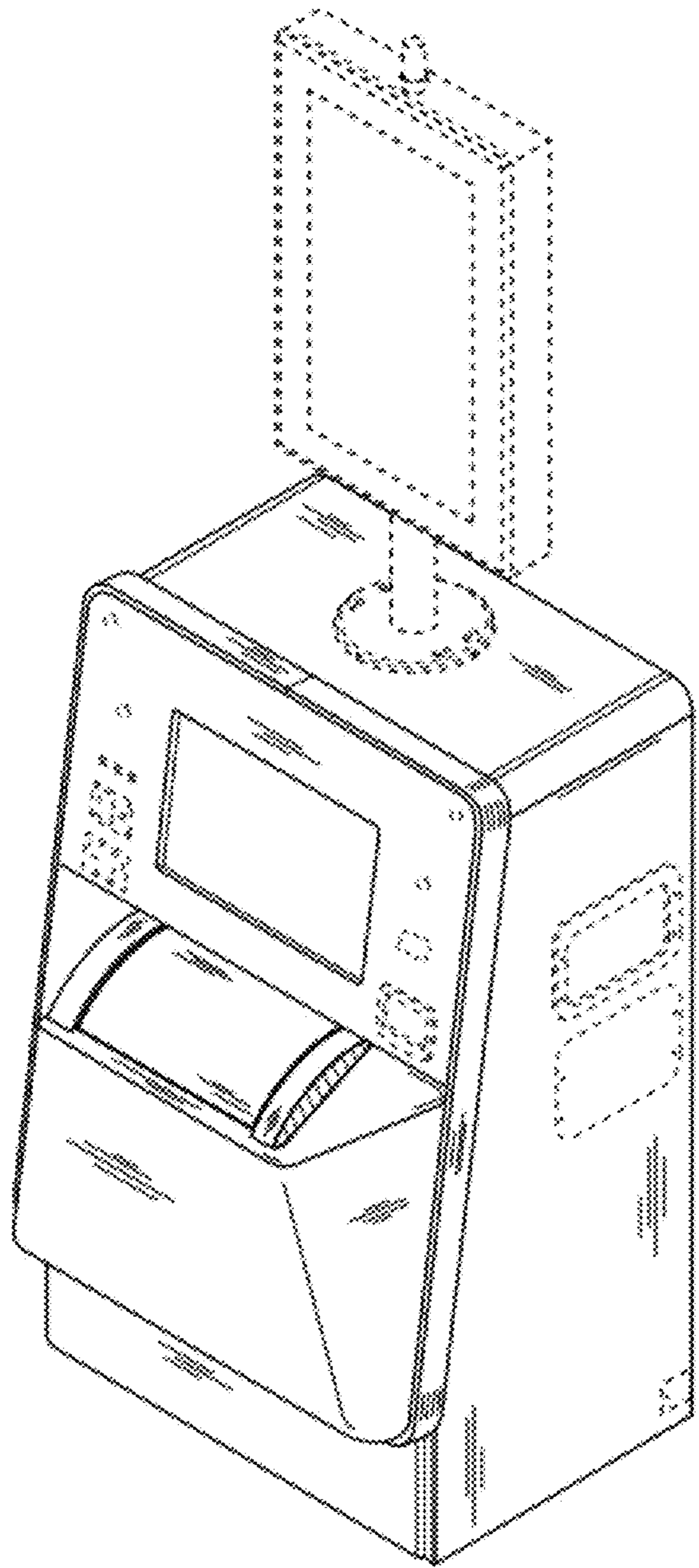


FIG. 2

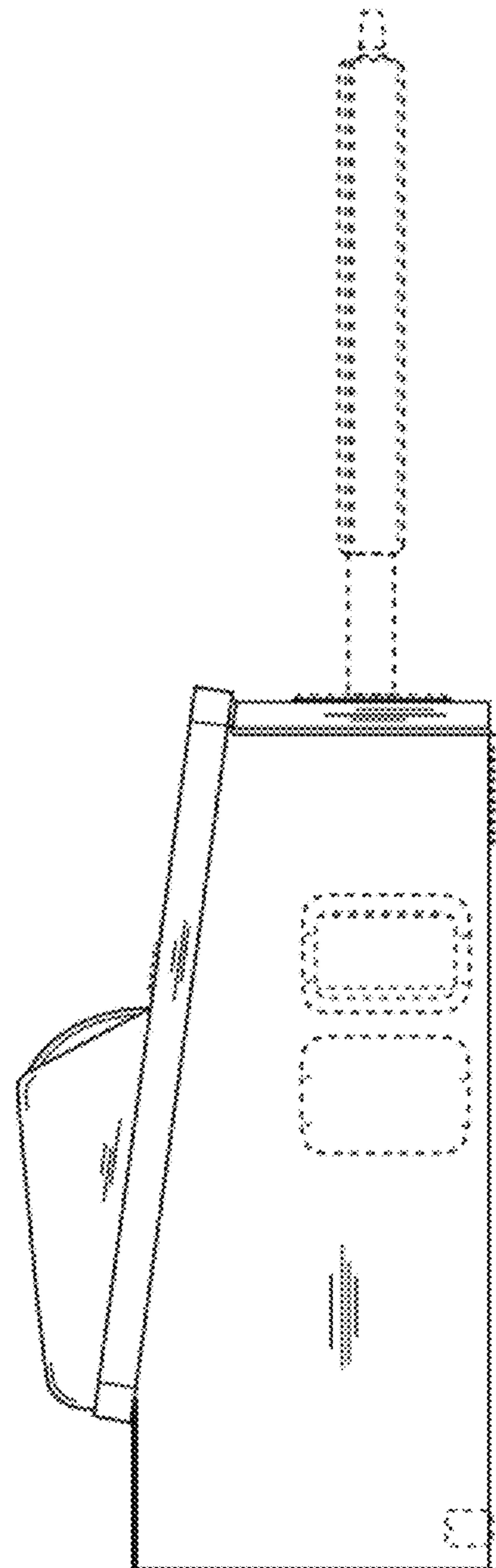


FIG. 3

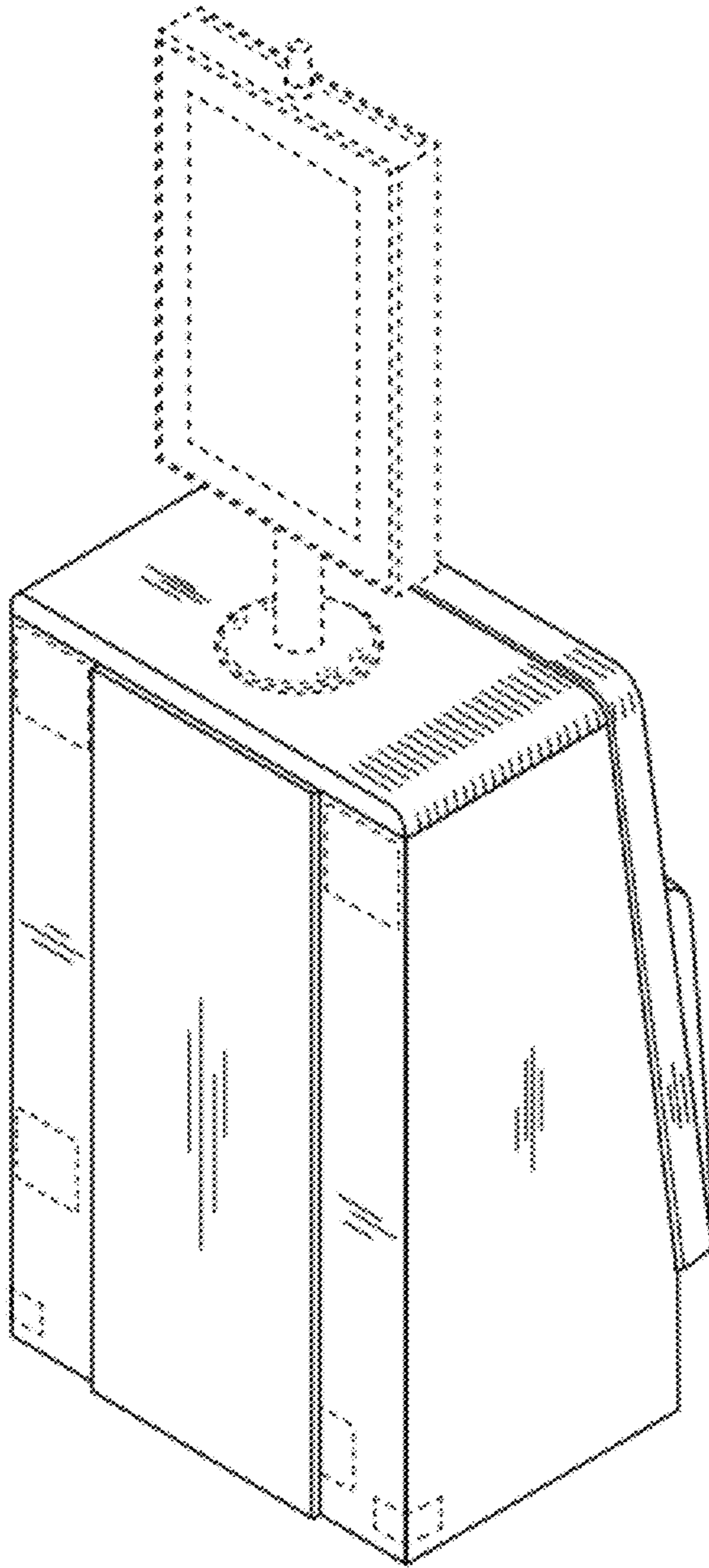


FIG. 4

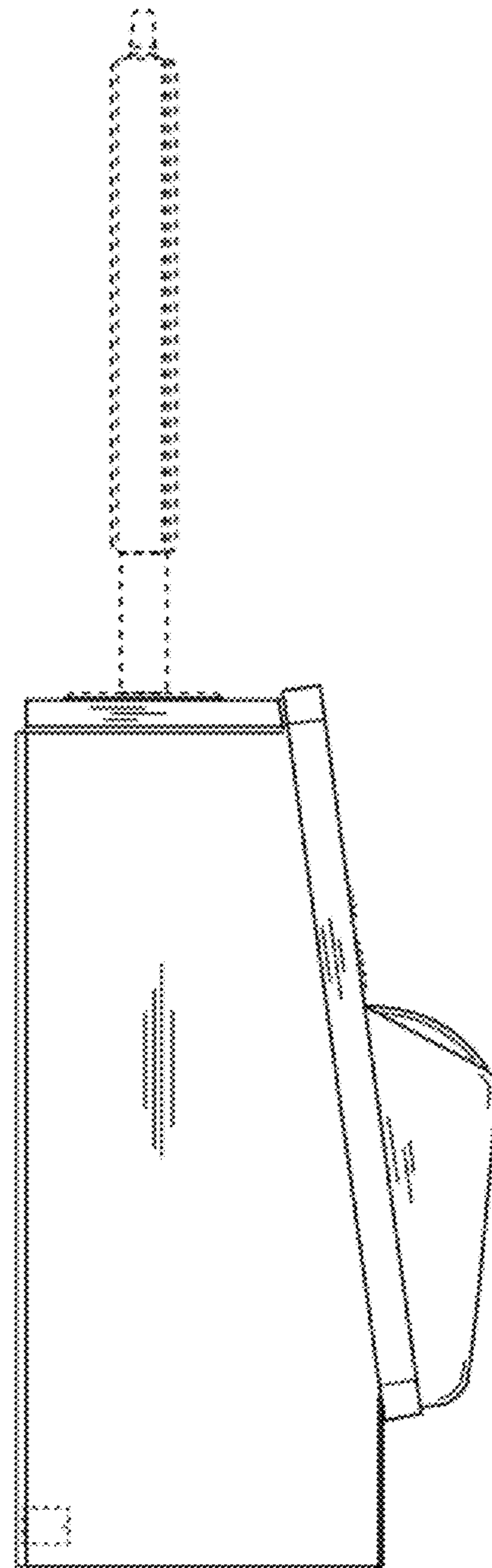


FIG. 5

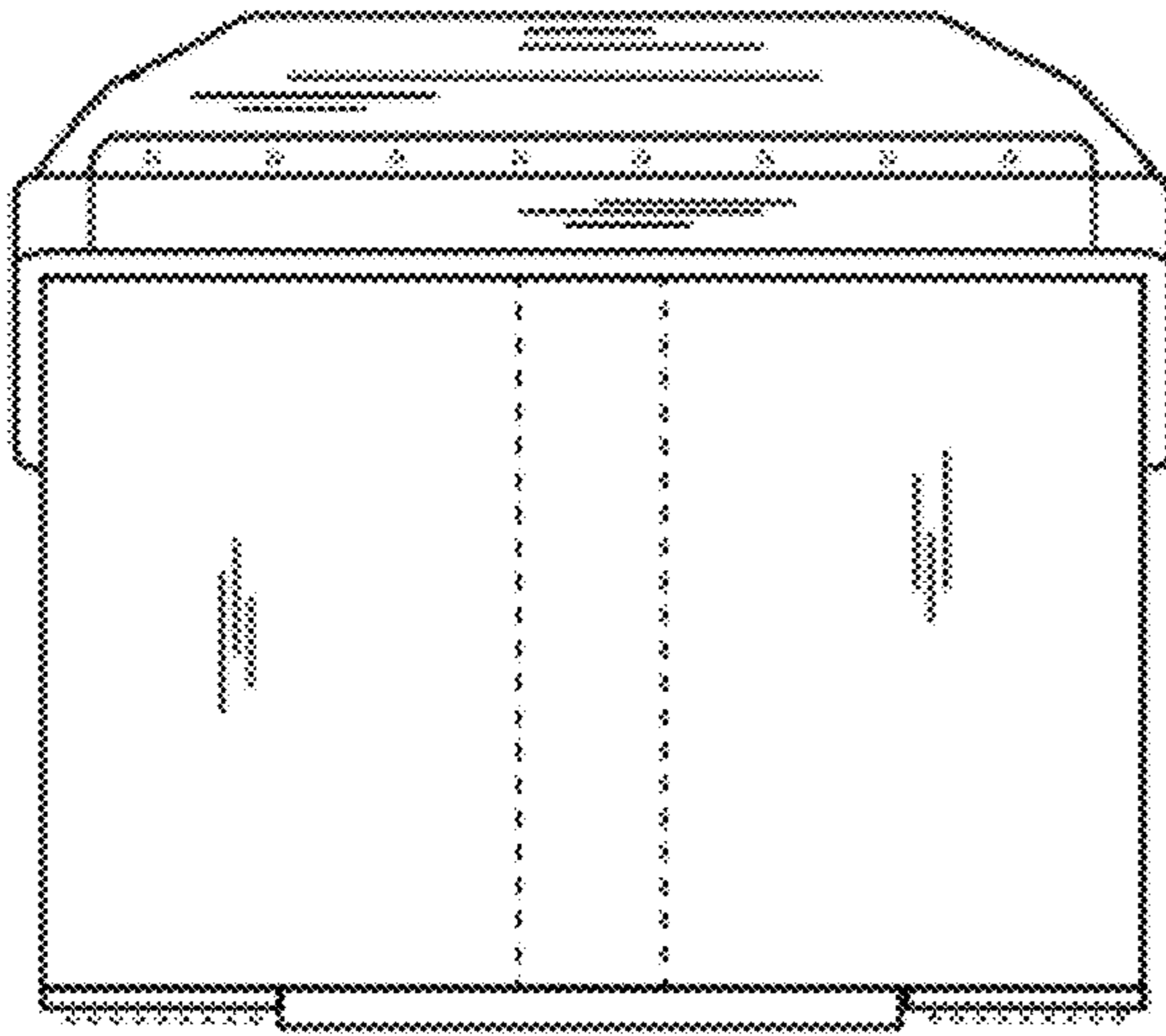


FIG. 6

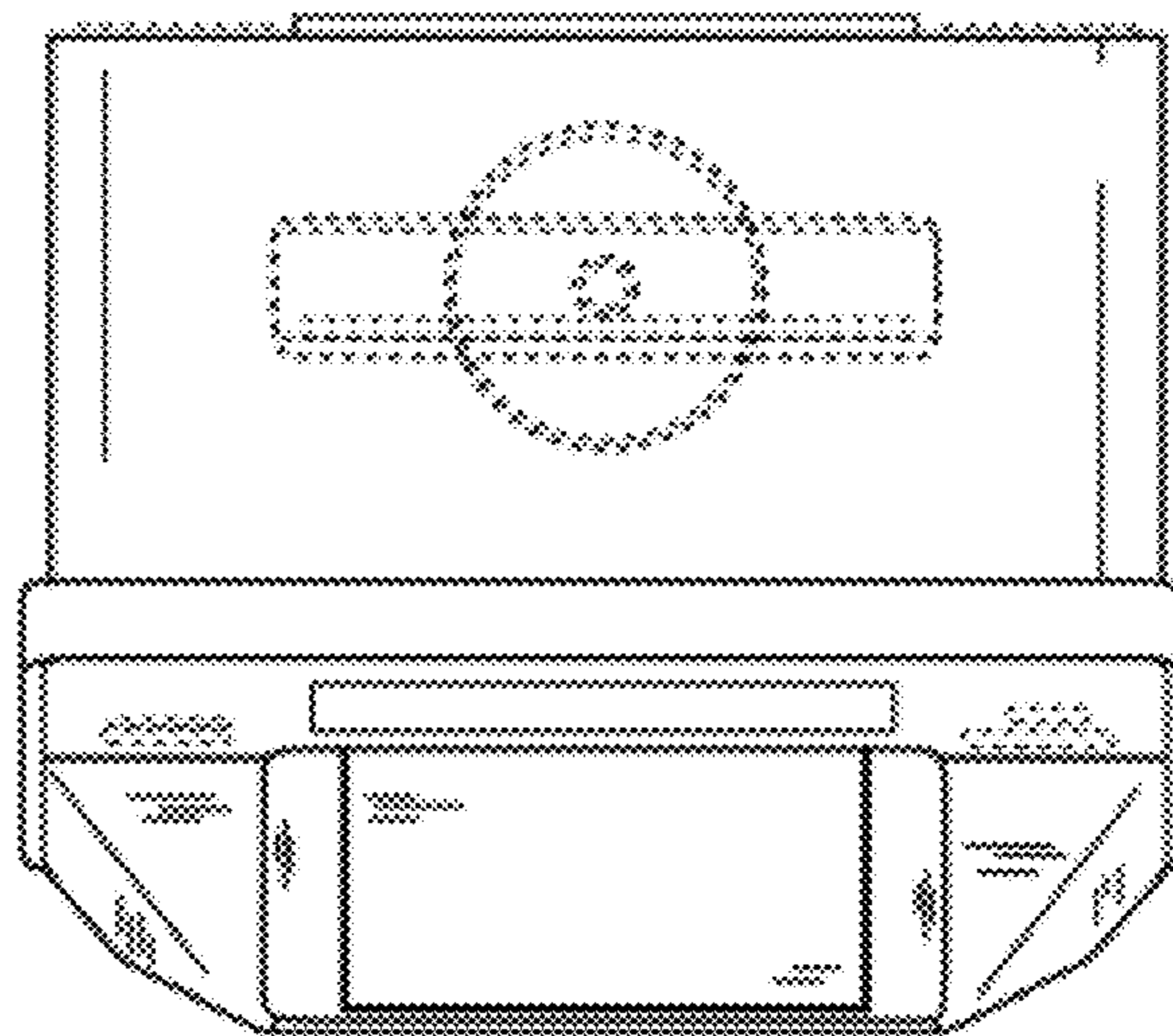


FIG. 7