



US00D669890S

(12) **United States Design Patent**
Hopkins et al.

(10) **Patent No.:** **US D669,890 S**

(45) **Date of Patent:** **** Oct. 30, 2012**

(54) **HOLDER FOR AN ELECTRONIC DEVICE**

(76) Inventors: **Benjamin Hopkins**, Los Angeles, CA
(US); **Devin Connolly**, Los Angeles, CA
(US)

(**) Term: **14 Years**

(21) Appl. No.: **29/410,567**

(22) Filed: **Jan. 9, 2012**

(51) **LOC (9) Cl.** **14-03**

(52) **U.S. Cl.** **D14/251**

(58) **Field of Classification Search** D14/140,
D14/217, 224, 224.1, 229, 240, 243, 250–253,
D14/299, 344, 434, 447, 451–452, 483, 496;
D13/108; 361/679.41; 439/534; 320/115,
320/116, 107; D8/355, 363; D12/415, 418;
379/449, 455, 165; 248/122.1, 127, 157,
248/205.8, 206.2, 279.1, 205.5, 309.1, 309.3,
248/352; D3/201, 218, 269, 273, 301; D11/79;
63/26

See application file for complete search history.

(56) **References Cited**

U.S. PATENT DOCUMENTS

D560,068 S * 1/2008 Dixon D3/218
D564,220 S * 3/2008 Dixon D3/218
D592,188 S * 5/2009 Huang D14/217

D640,707 S * 6/2011 Yeh D14/447
D646,315 S * 10/2011 Orf D16/242
D653,668 S * 2/2012 Song et al. D14/447

* cited by examiner

Primary Examiner — Raphael Barkai
Assistant Examiner — Randall Gholson

(57) **CLAIM**

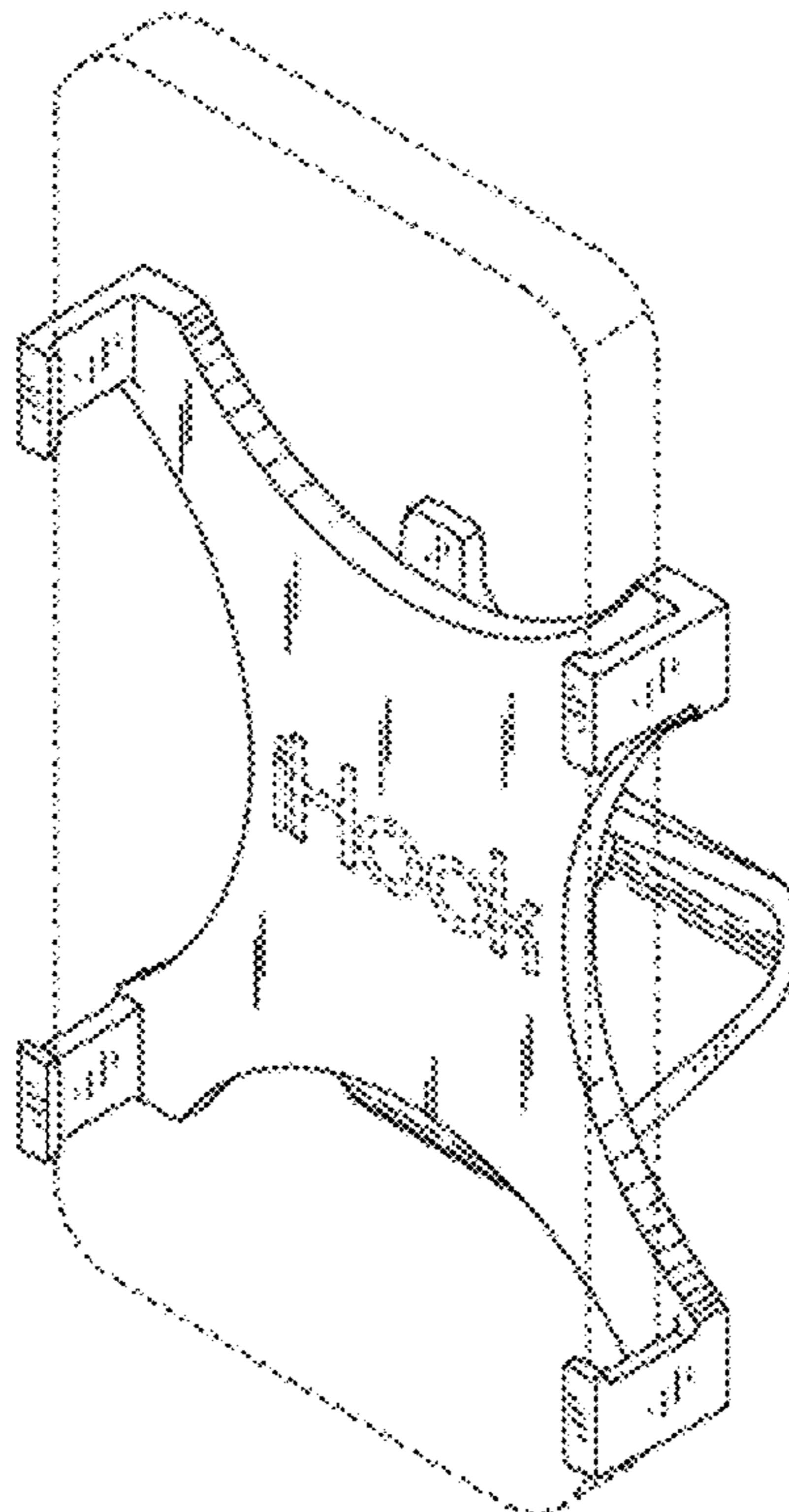
The ornamental design for a holder for an electronic device, substantially as shown and described.

DESCRIPTION

FIG. 1 shows a perspective view of our new design of a holder for an electronic device from the upper, right, front; FIG. 2 shows a rear perspective view of the design of FIG. 1; FIG. 3 shows a plan view of the design of FIG. 1; FIG. 4 shows a left elevation view of the design of FIG. 1; FIG. 5 shows a front view of the design of FIG. 1; FIG. 6 shows a bottom view of the design of FIG. 1; FIG. 7 shows a right elevation view of the design of FIG. 1; FIG. 8 shows a rear view of the design of FIG. 1; and, FIG. 9 shows a rear perspective view of the design of FIG. 1 in an alternative use position.

The characteristic feature of the design resides in the overall shape and contour of the design illustrated in the drawings. Surface coloration, markings and texture form no part of the claimed design. Specifically, the logo in dashed lines forms no part of the claimed design. The electronic device shown in dashed lines is for illustrative purposes as part of the environment and forms no part of the claimed design.

1 Claim, 3 Drawing Sheets



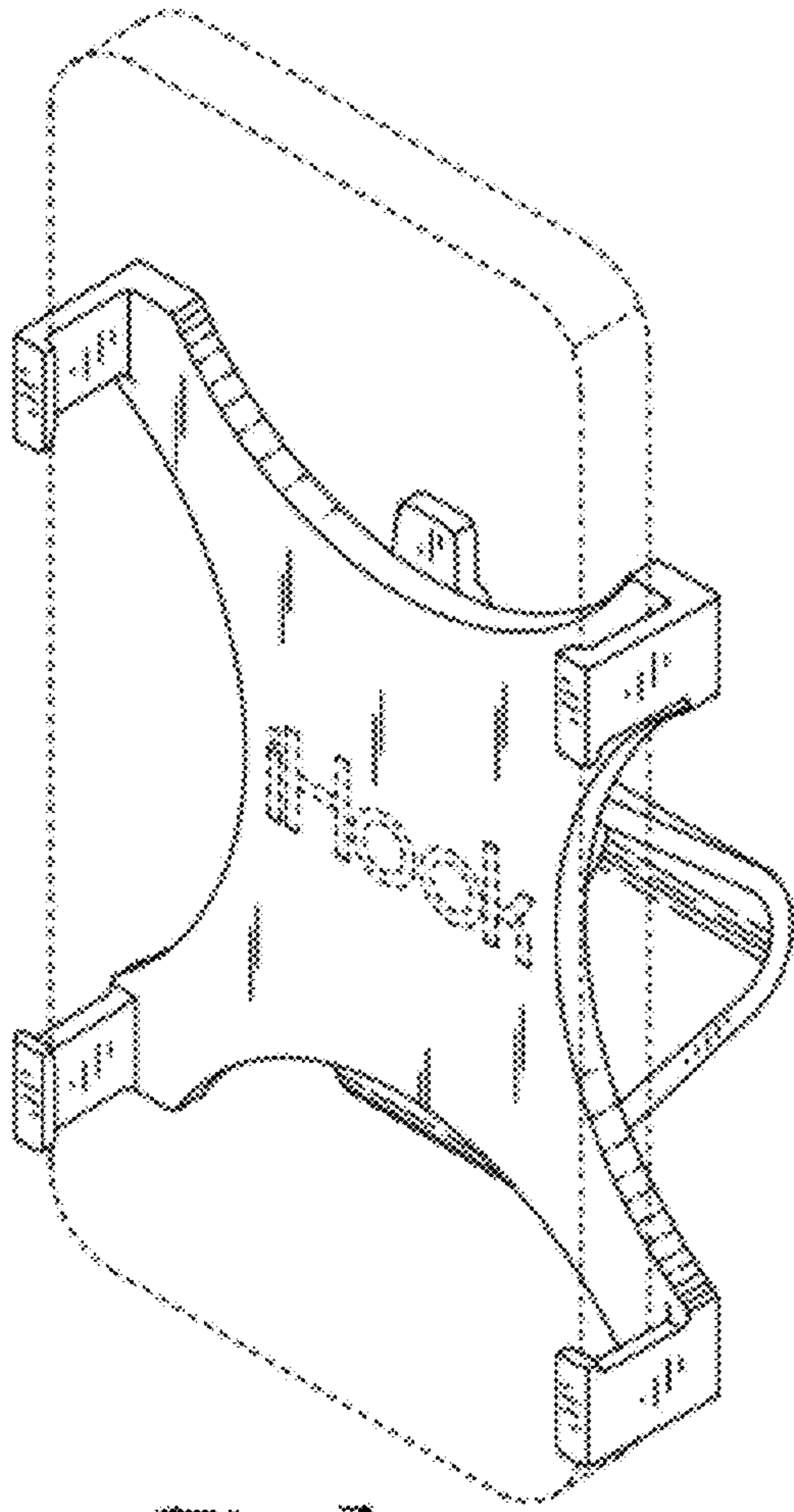


Fig. 1

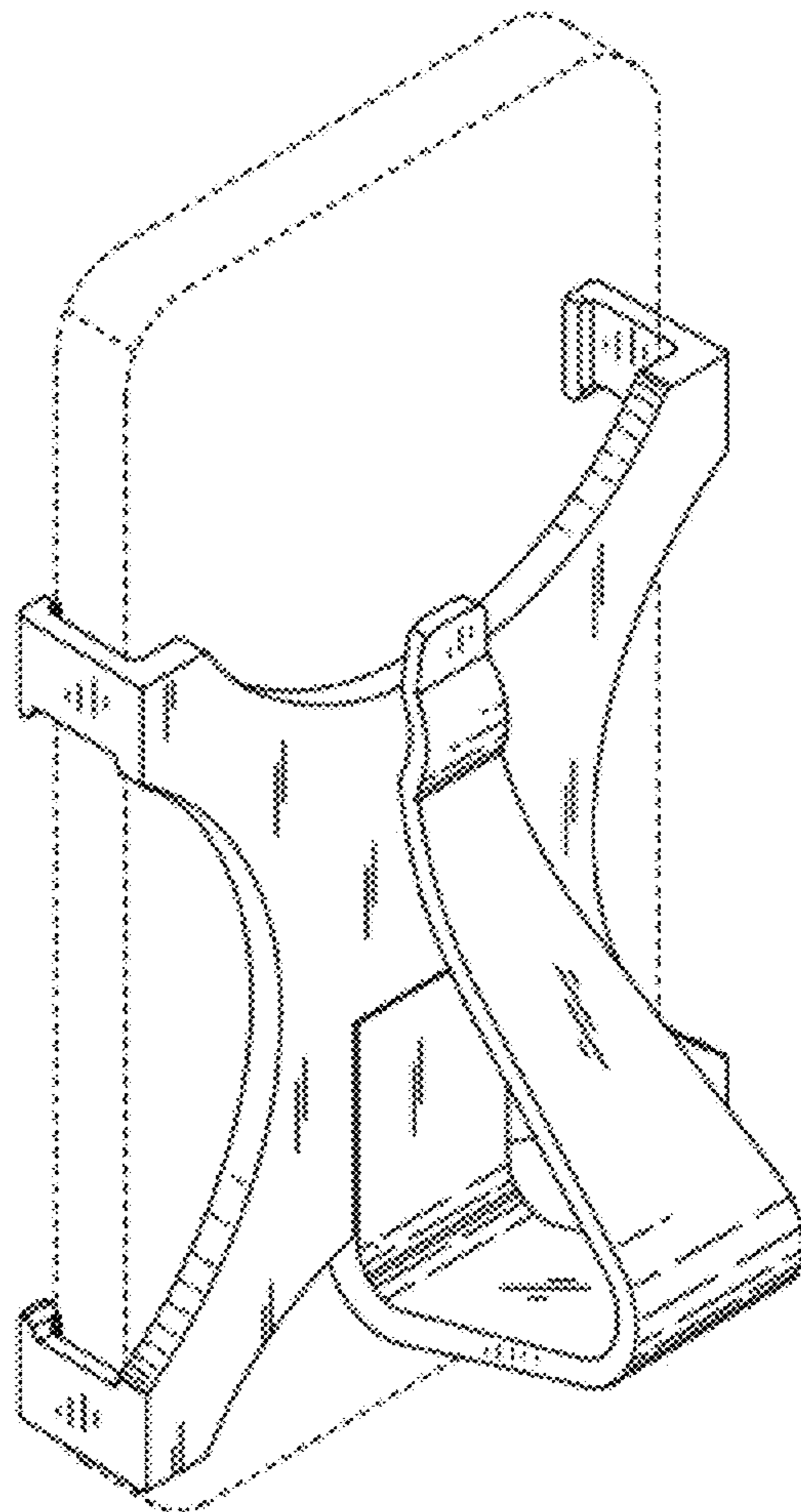


Fig. 2

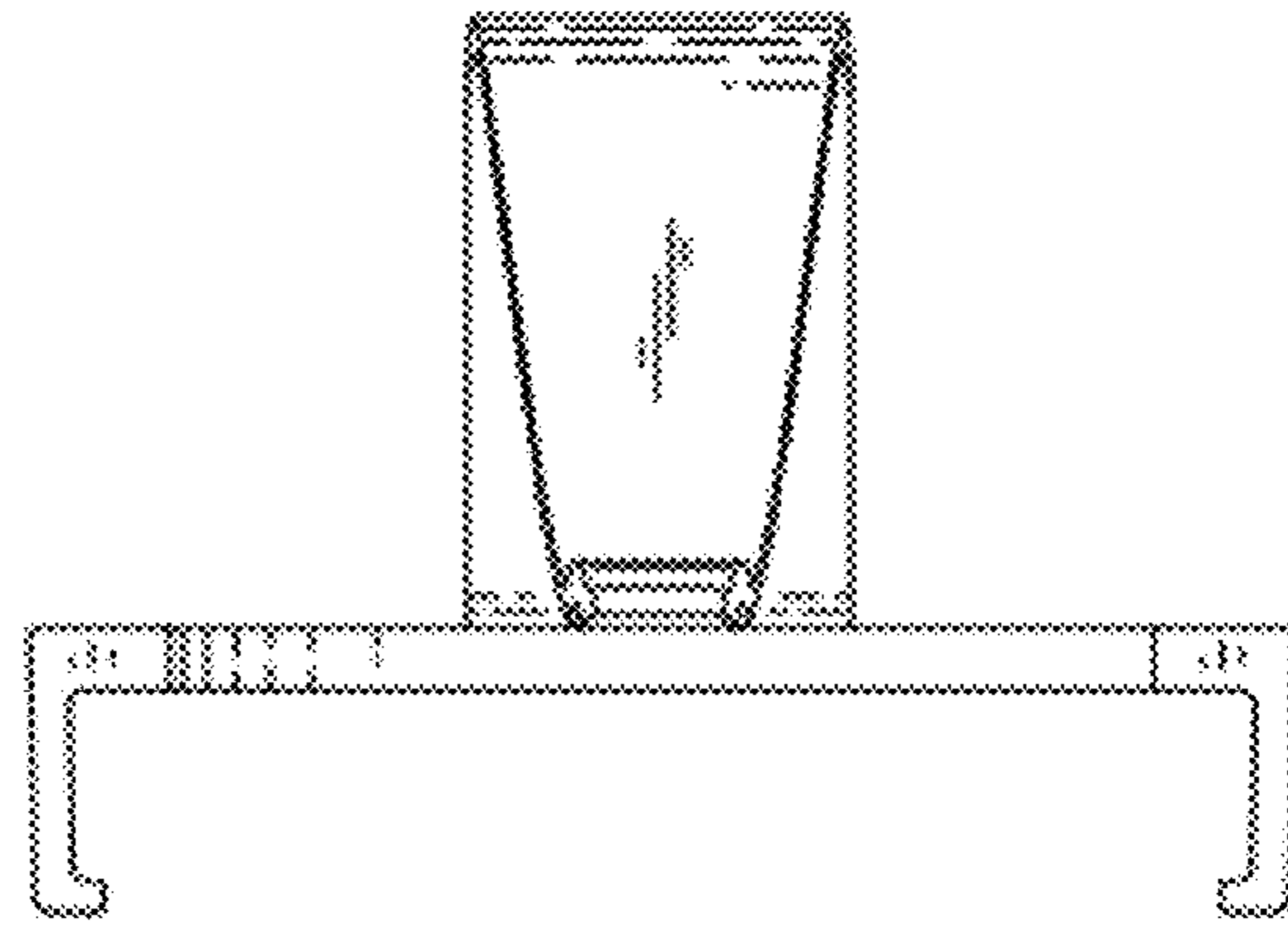


Fig. 3

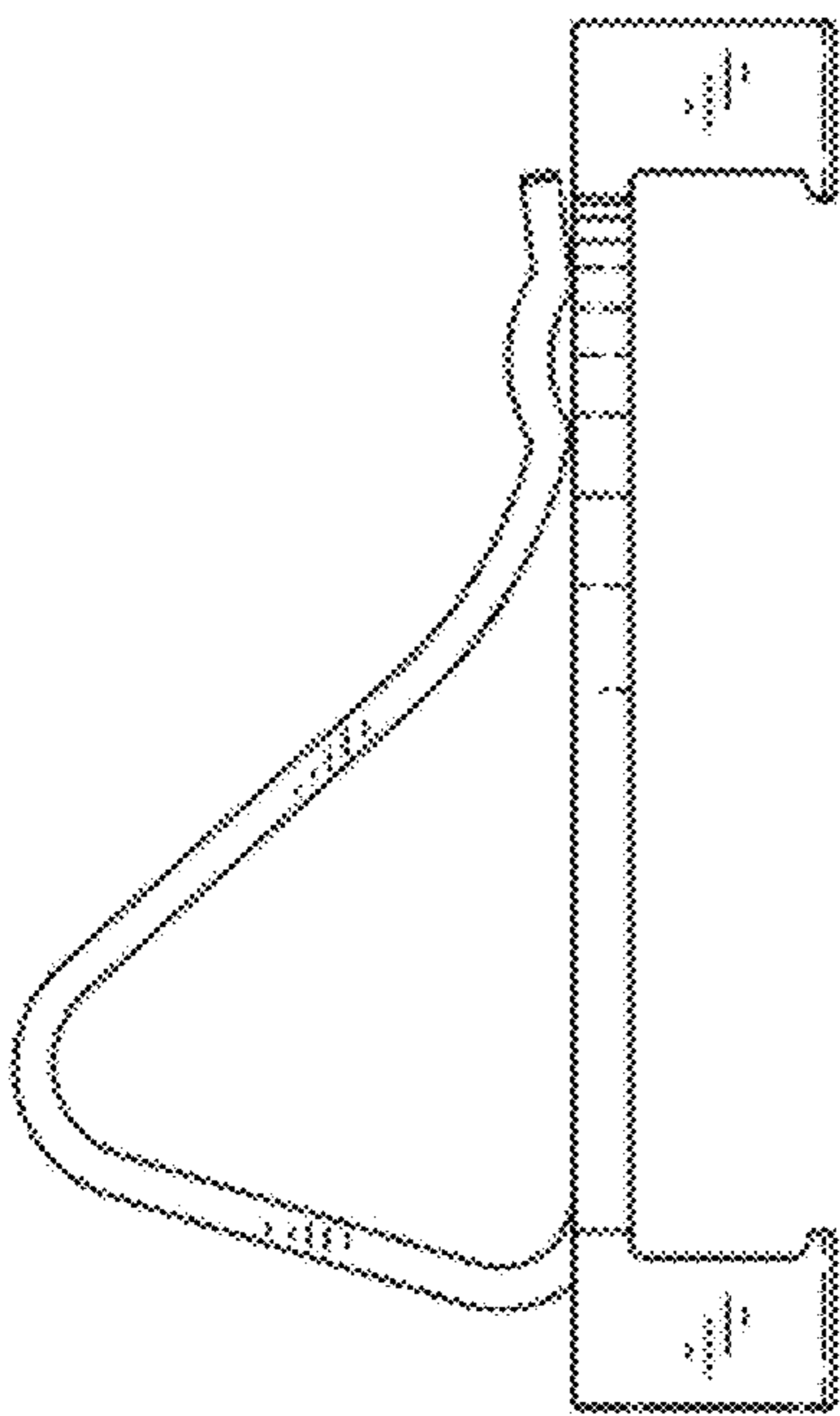


Fig. 4

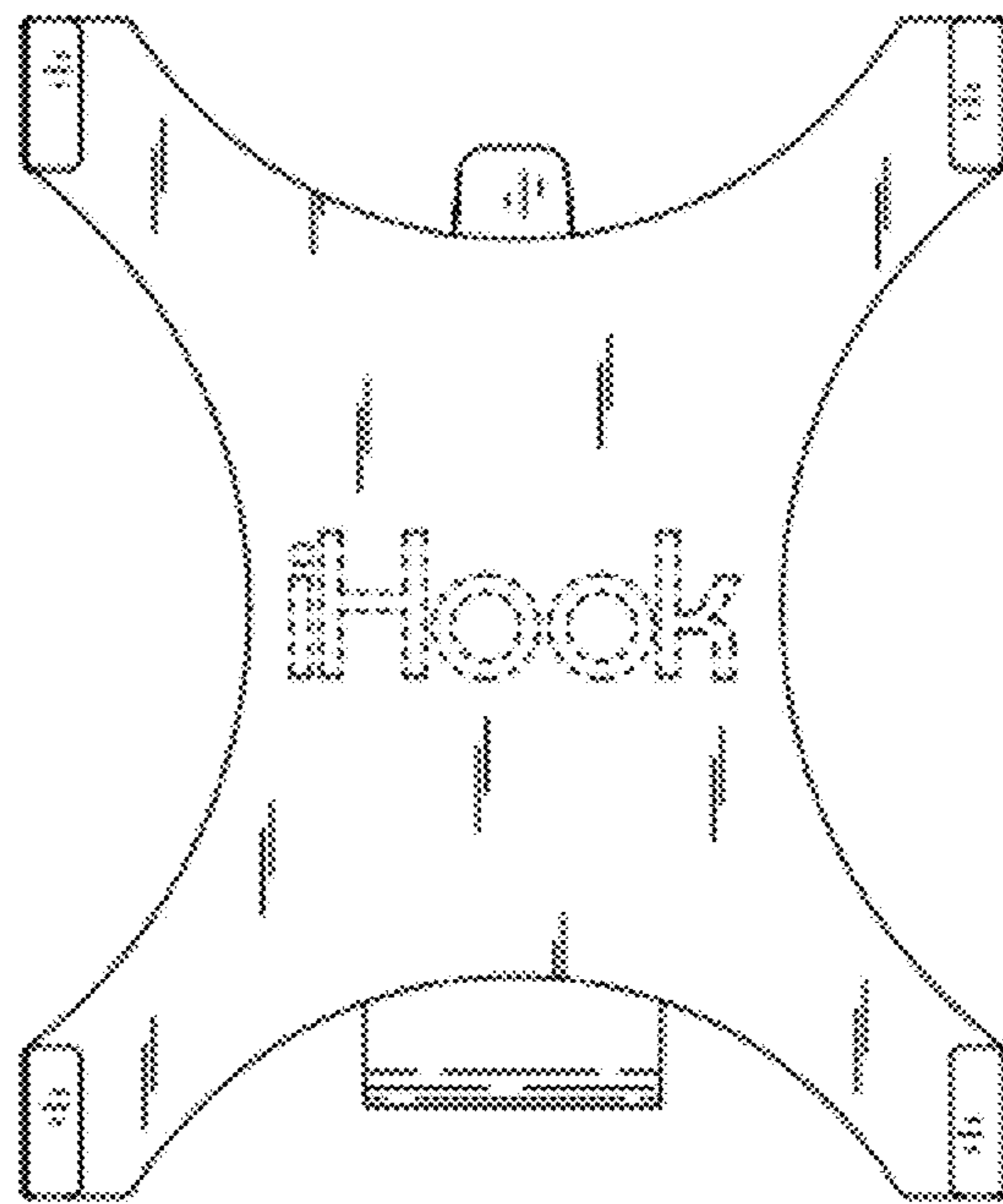


Fig. 5

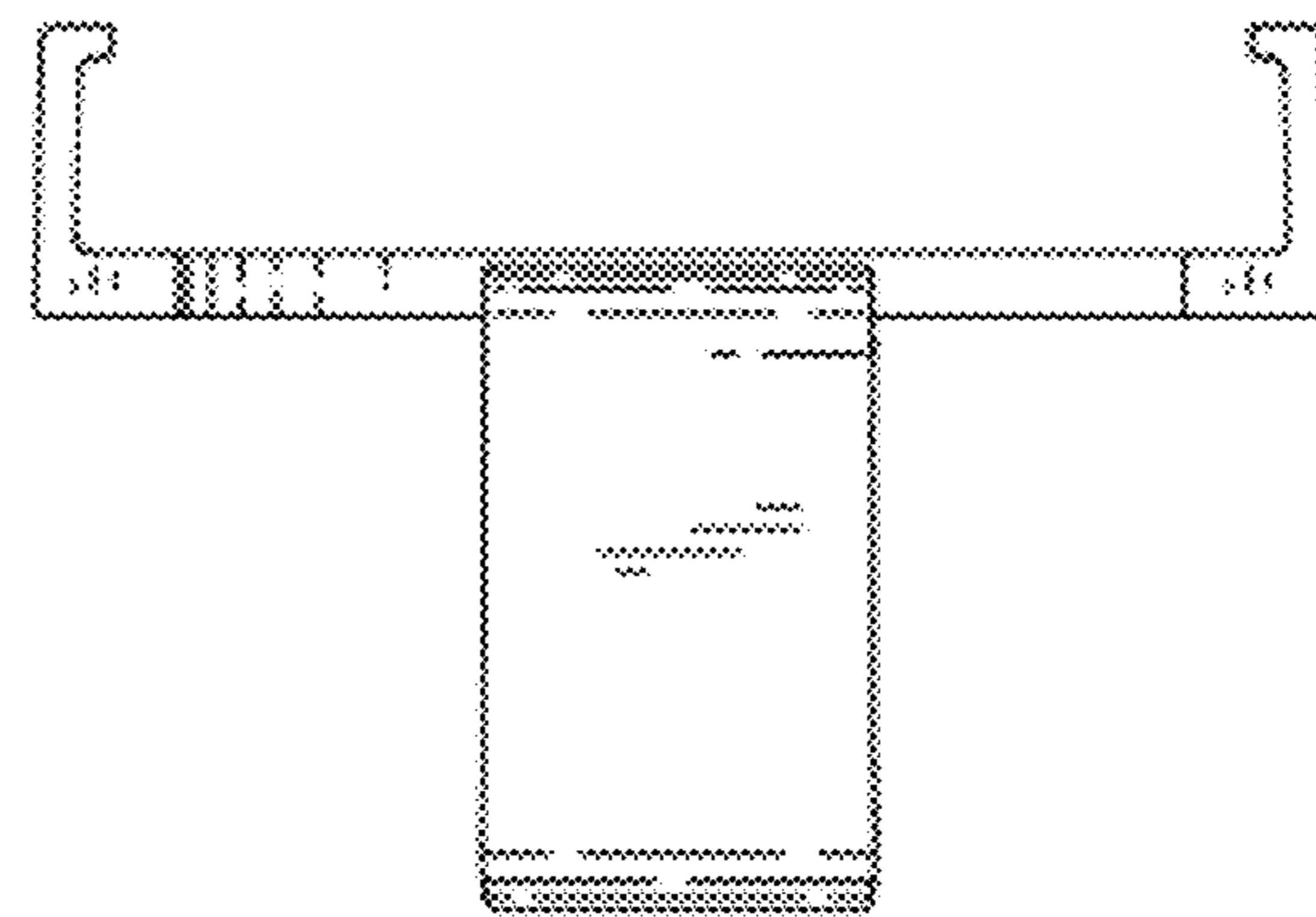


Fig. 6

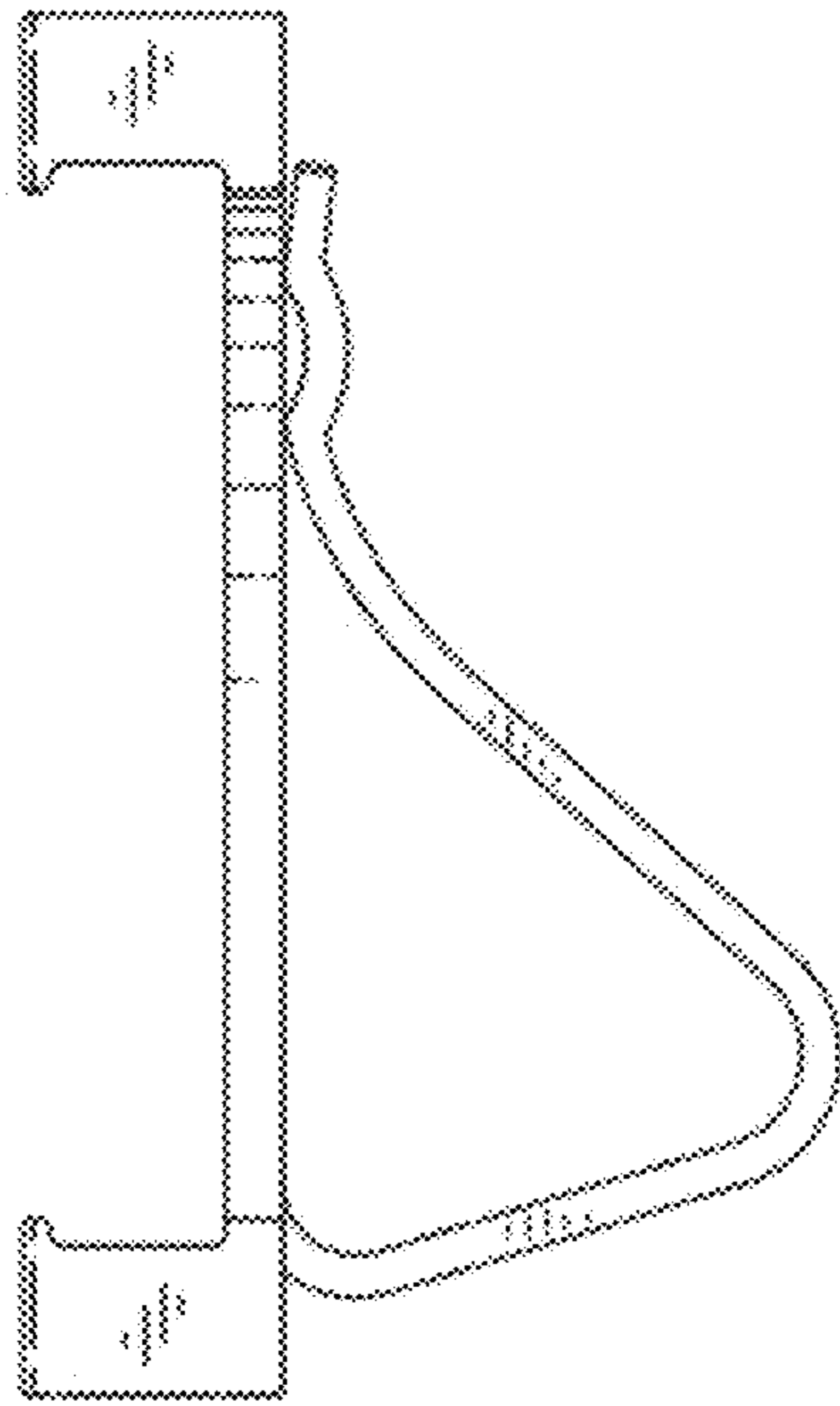


Fig. 7

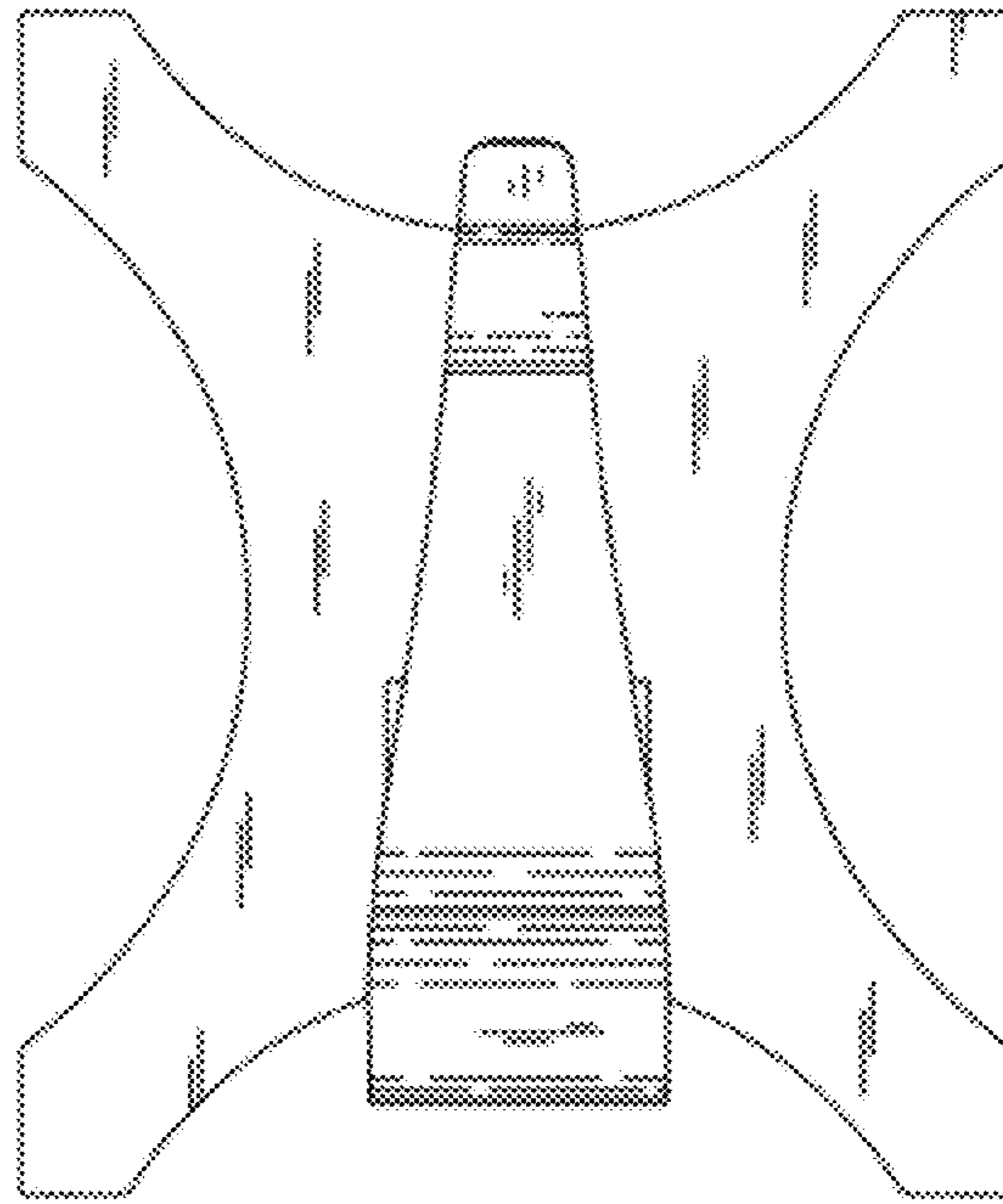


Fig. 8

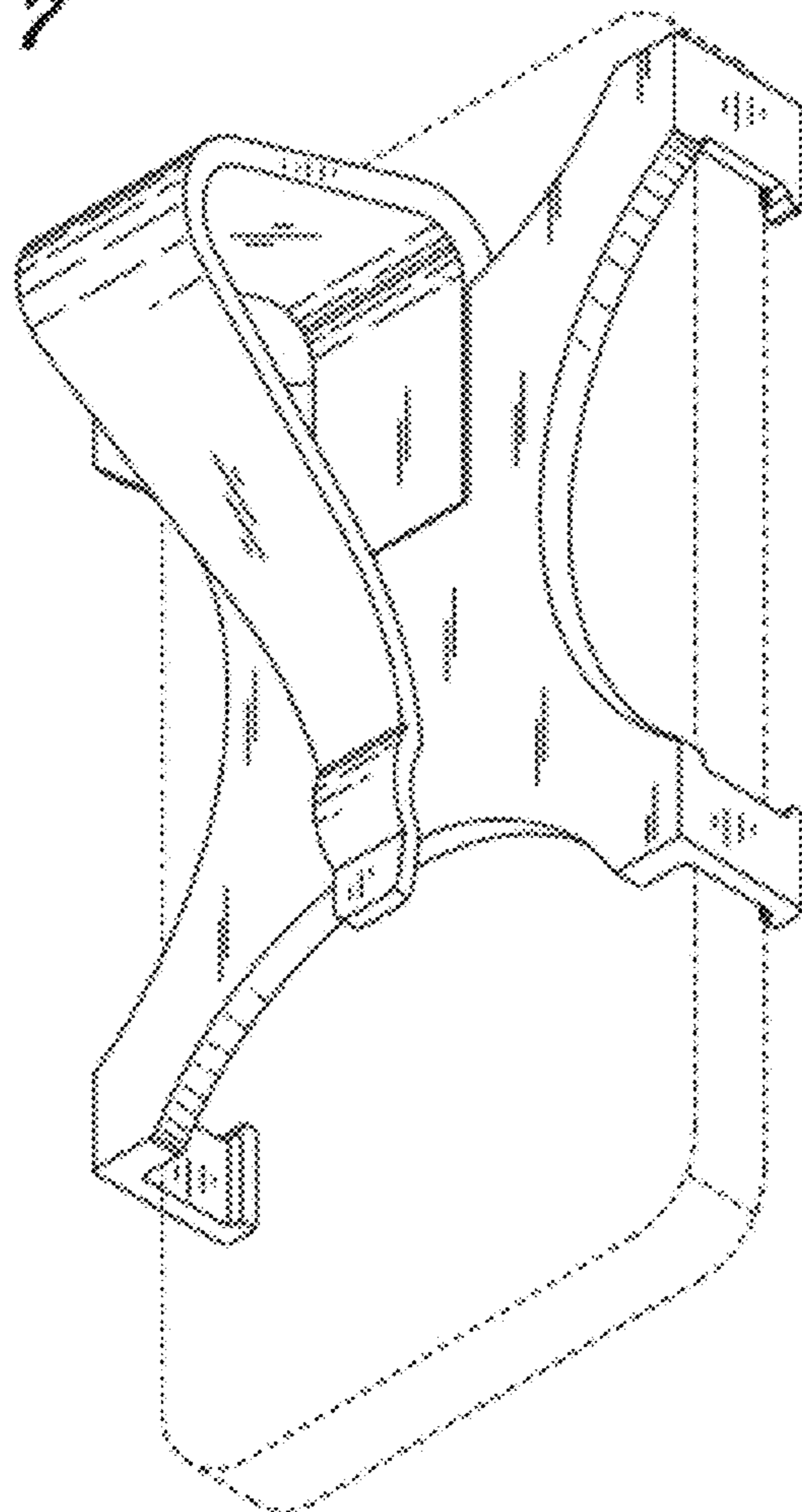


Fig. 9