



US00D669888S

(12) **United States Design Patent**  
**Gougherty et al.**

(10) **Patent No.:** **US D669,888 S**

(45) **Date of Patent:** **\*\* \*Oct. 30, 2012**

(54) **BASE CRADLE FOR A COMMUNICATIONS HEADSET**

(75) Inventors: **Stefan Gougherty**, Santa Cruz, CA (US); **Manoj Mistry**, Santa Cruz, CA (US); **Casey Peterson**, Scotts Valley, CA (US); **John Kelley**, Santa Cruz, CA (US)

(73) Assignee: **Plantronics, Inc.**, Santa Cruz, CA (US)

(\*) Notice: This patent is subject to a terminal disclaimer.

(\*\*) Term: **14 Years**

(21) Appl. No.: **29/379,753**

(22) Filed: **Nov. 23, 2010**

(51) **LOC (9) Cl.** ..... **14-01**

(52) **U.S. Cl.** ..... **D14/224; D14/223**

(58) **Field of Classification Search** ..... D14/205, D14/206, 223, 224, 224.1, 435.1, 214, 137, D14/168, 149, 253; D13/107, 108, 110; 320/111, 113, 115

See application file for complete search history.

(56) **References Cited**

**U.S. PATENT DOCUMENTS**

D277,602 S *	2/1985	Benson et al.	.....	D24/111
D344,708 S *	3/1994	Ho	.....	D13/108
D388,434 S *	12/1997	Lepack	.....	D14/149
6,193,546 B1 *	2/2001	Sadler	.....	439/534
D442,141 S *	5/2001	Ikenaga	.....	D13/107
D445,087 S *	7/2001	Skoger et al.	.....	D13/108
D454,131 S *	3/2002	Lord	.....	D14/434
D468,685 S *	1/2003	Jacobs et al.	.....	D13/107
D474,737 S *	5/2003	Yoshida	.....	D13/108
D482,674 S *	11/2003	Rath et al.	.....	D14/206
D483,016 S *	12/2003	Ma et al.	.....	D13/108
D486,492 S *	2/2004	Sheu et al.	.....	D14/434
D489,323 S *	5/2004	Yoshida	.....	D13/108

D489,325 S *	5/2004	Nakamura	.....	D13/110
D501,191 S *	1/2005	Siebke	.....	D14/149
D509,789 S *	9/2005	Motoishi	.....	D13/108
D520,013 S *	5/2006	Yang	.....	D14/434
D523,847 S *	6/2006	Naruki	.....	D14/224.1
D535,615 S *	1/2007	Iwai	.....	D13/108
D549,646 S *	8/2007	Sade et al.	.....	D13/108
D551,658 S *	9/2007	Hussaini et al.	.....	D14/217
D553,106 S *	10/2007	Griffin	.....	D14/434
D554,115 S *	10/2007	Liu et al.	.....	D14/253
D554,116 S *	10/2007	Liu et al.	.....	D14/253
D558,739 S *	1/2008	Andre et al.	.....	D14/217
D564,501 S *	3/2008	Rath	.....	D14/224
D564,959 S *	3/2008	Heine et al.	.....	D13/107
D584,731 S *	1/2009	Montgomery et al.	.....	D14/434
D597,939 S *	8/2009	Tkachuk	.....	D13/108
D602,008 S *	10/2009	Bentley et al.	.....	D14/224
D602,917 S *	10/2009	Bentley	.....	D14/224
D609,707 S *	2/2010	Lee	.....	D14/434
D639,810 S *	6/2011	Hwang et al.	.....	D14/434

\* cited by examiner

*Primary Examiner* — Paula Greene

(74) *Attorney, Agent, or Firm* — Michael D. Rodriguez

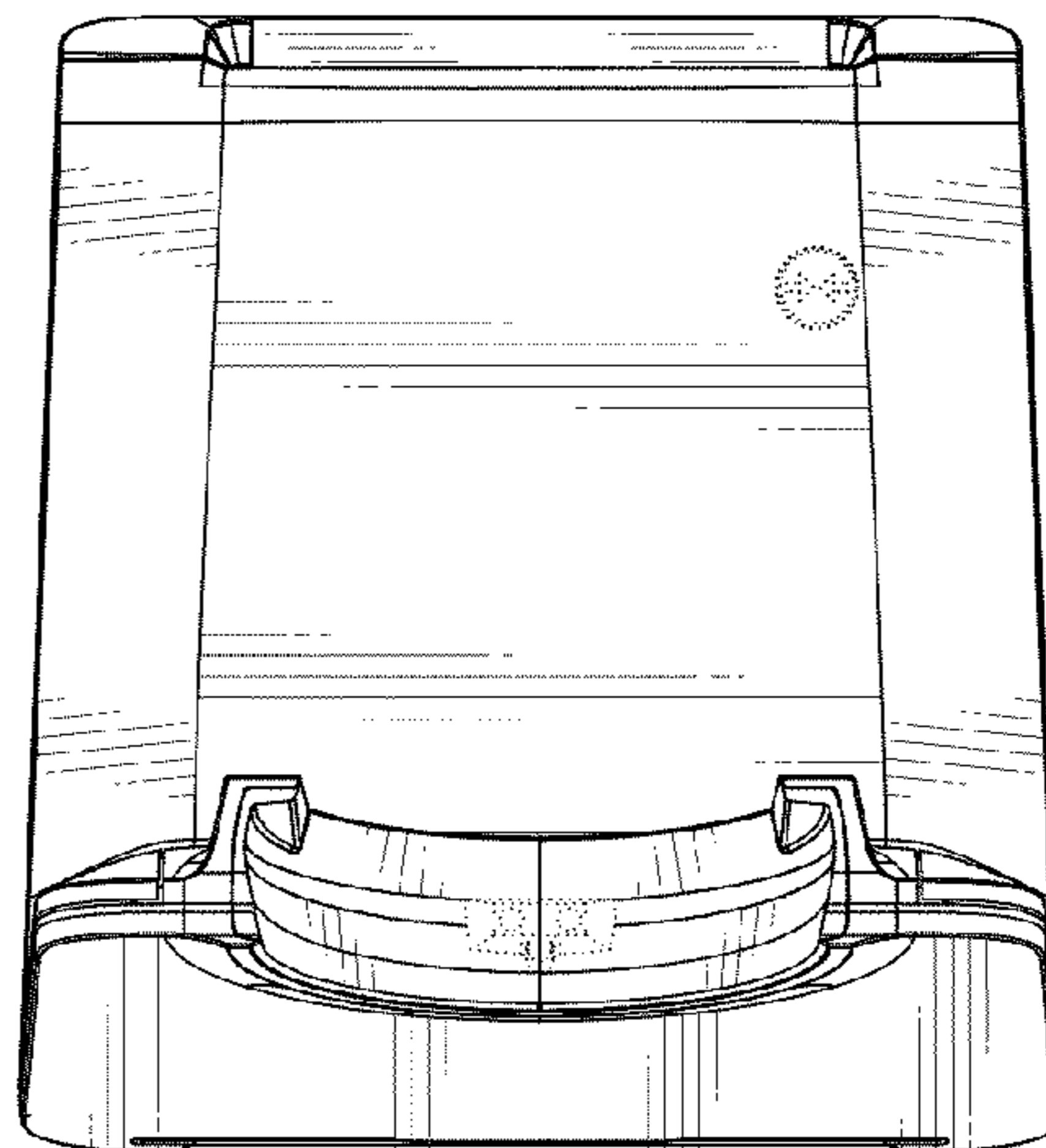
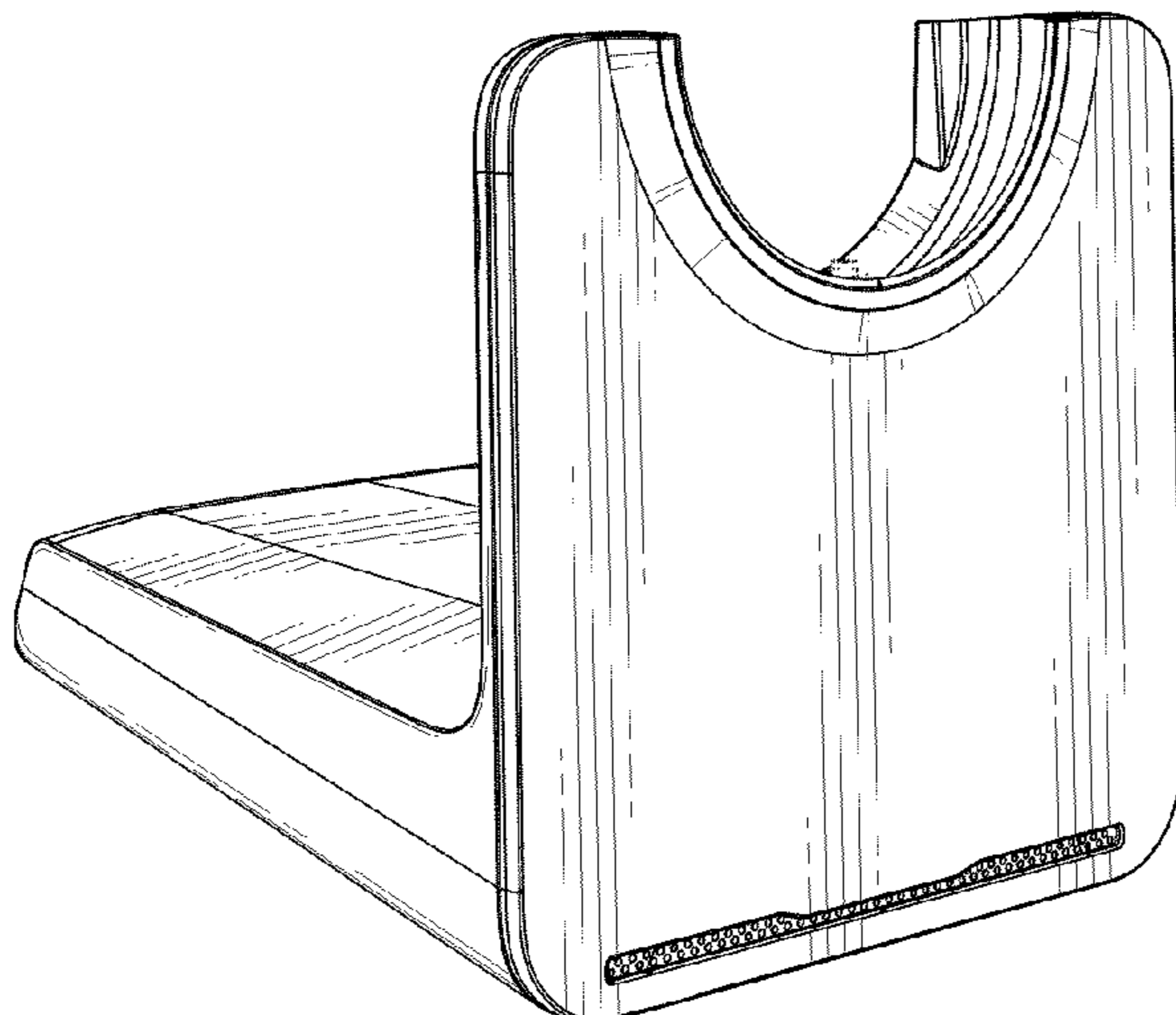
(57) **CLAIM**

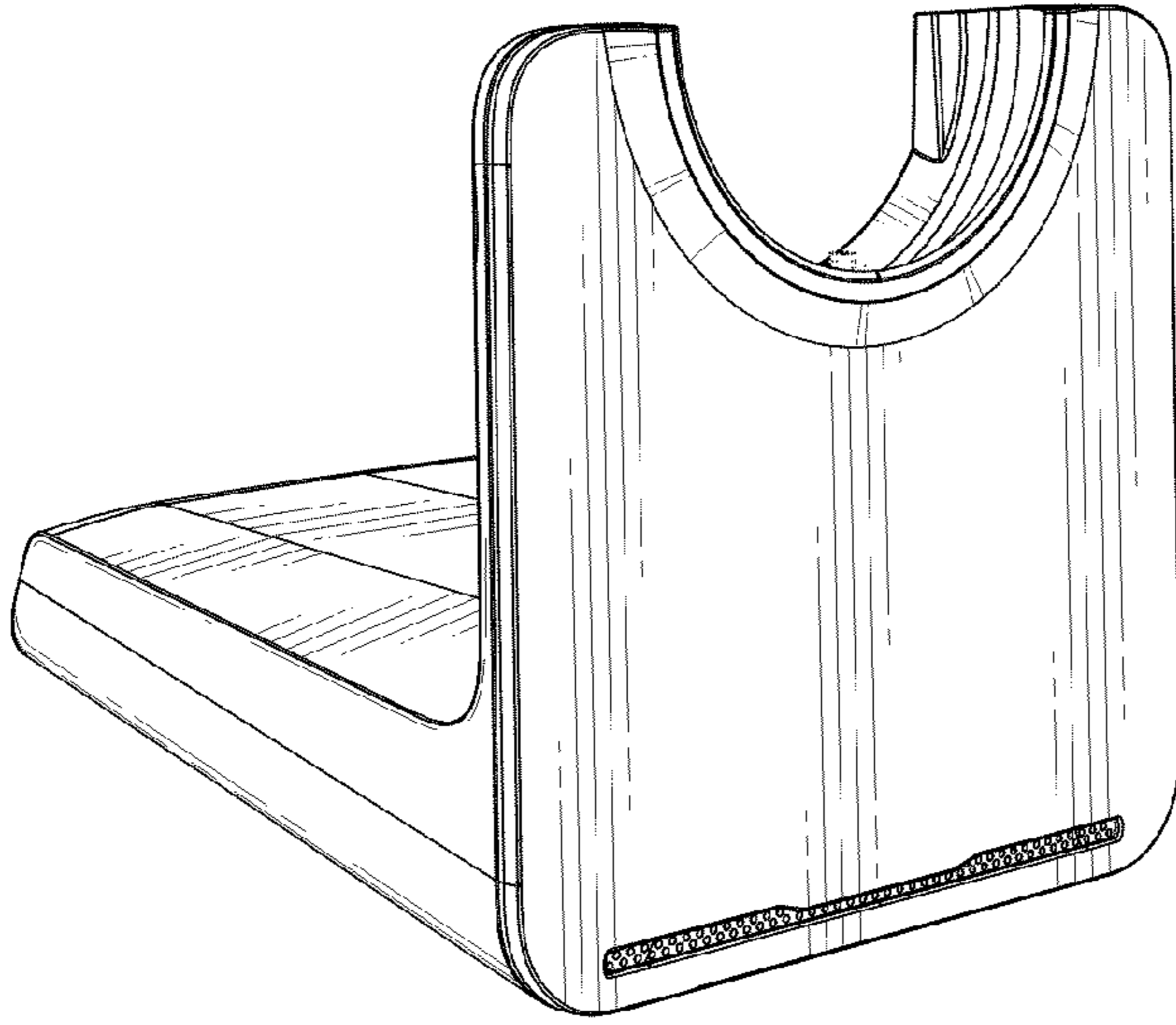
The ornamental design for a base cradle for a communications headset, as shown and described.

**DESCRIPTION**

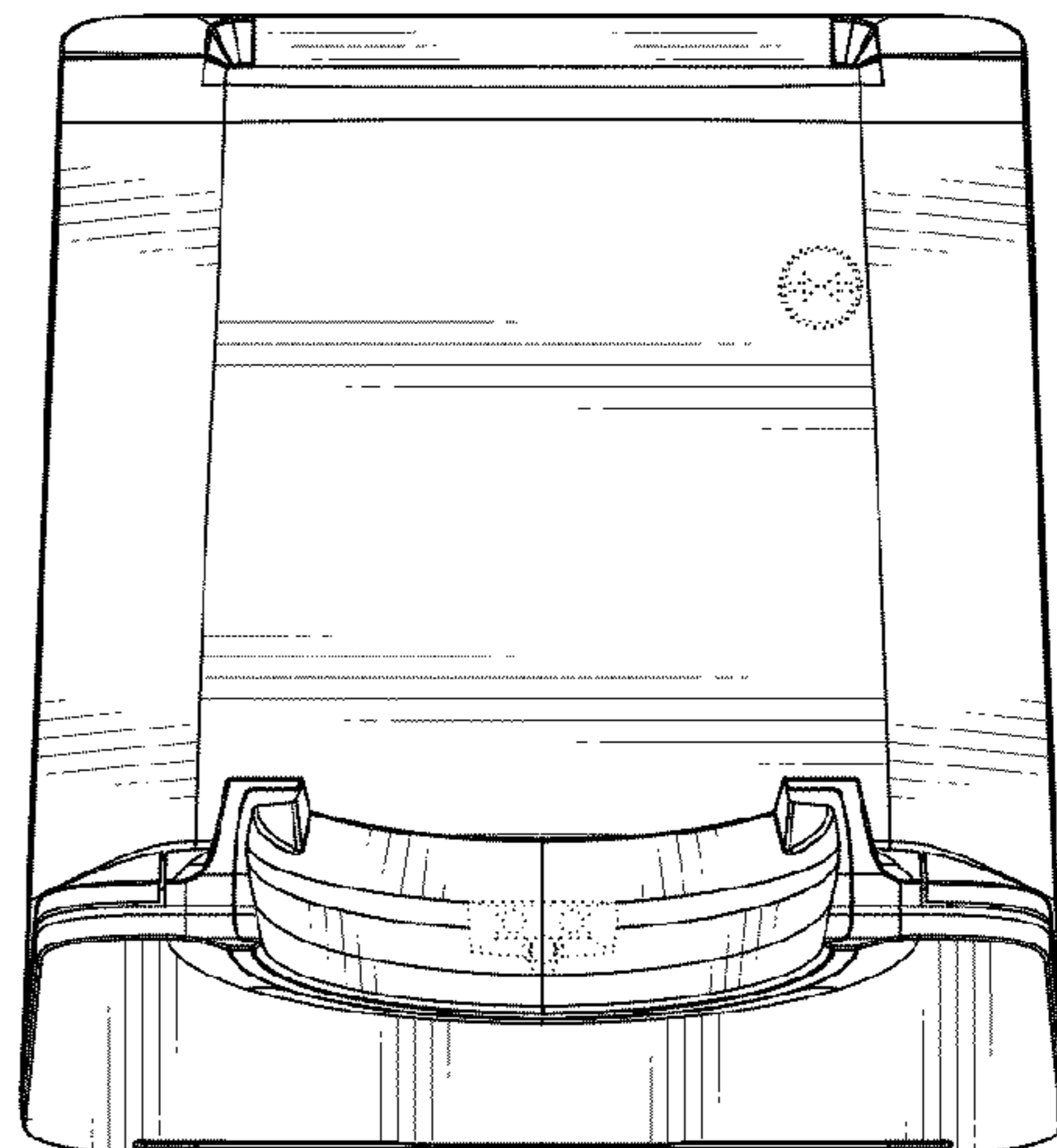
FIG. 1 is front-right perspective view of a base cradle for a communications headset showing our new design; FIG. 2 is a top view thereof; FIG. 3 is a bottom view thereof; FIG. 4 is a back view thereof; FIG. 5 is a front view thereof; FIG. 6 is a right side view thereof; and, FIG. 7 is a left side view thereof. The broken line showing of the unclaimed environment forms no part of the claimed design.

**1 Claim, 2 Drawing Sheets**

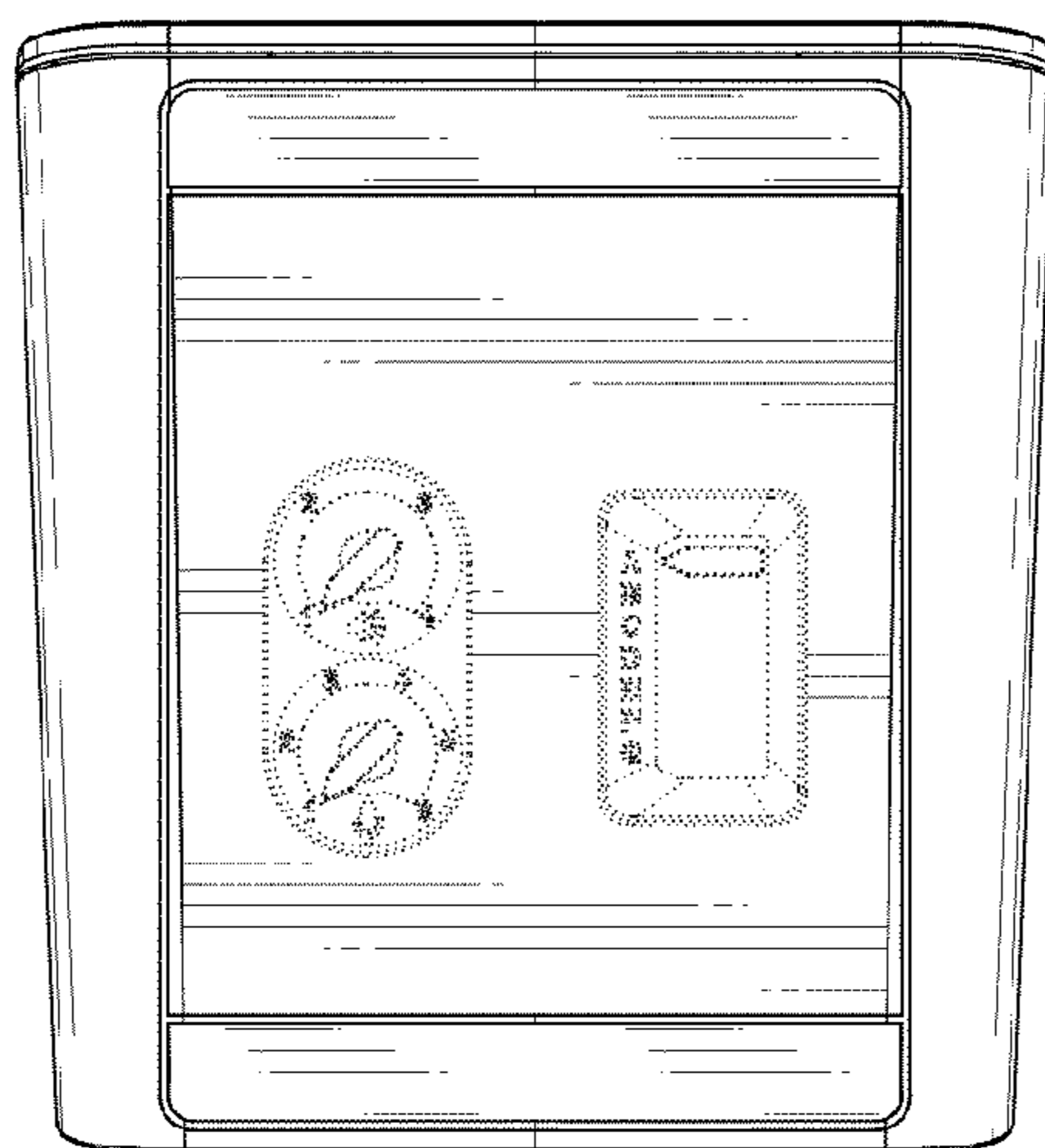




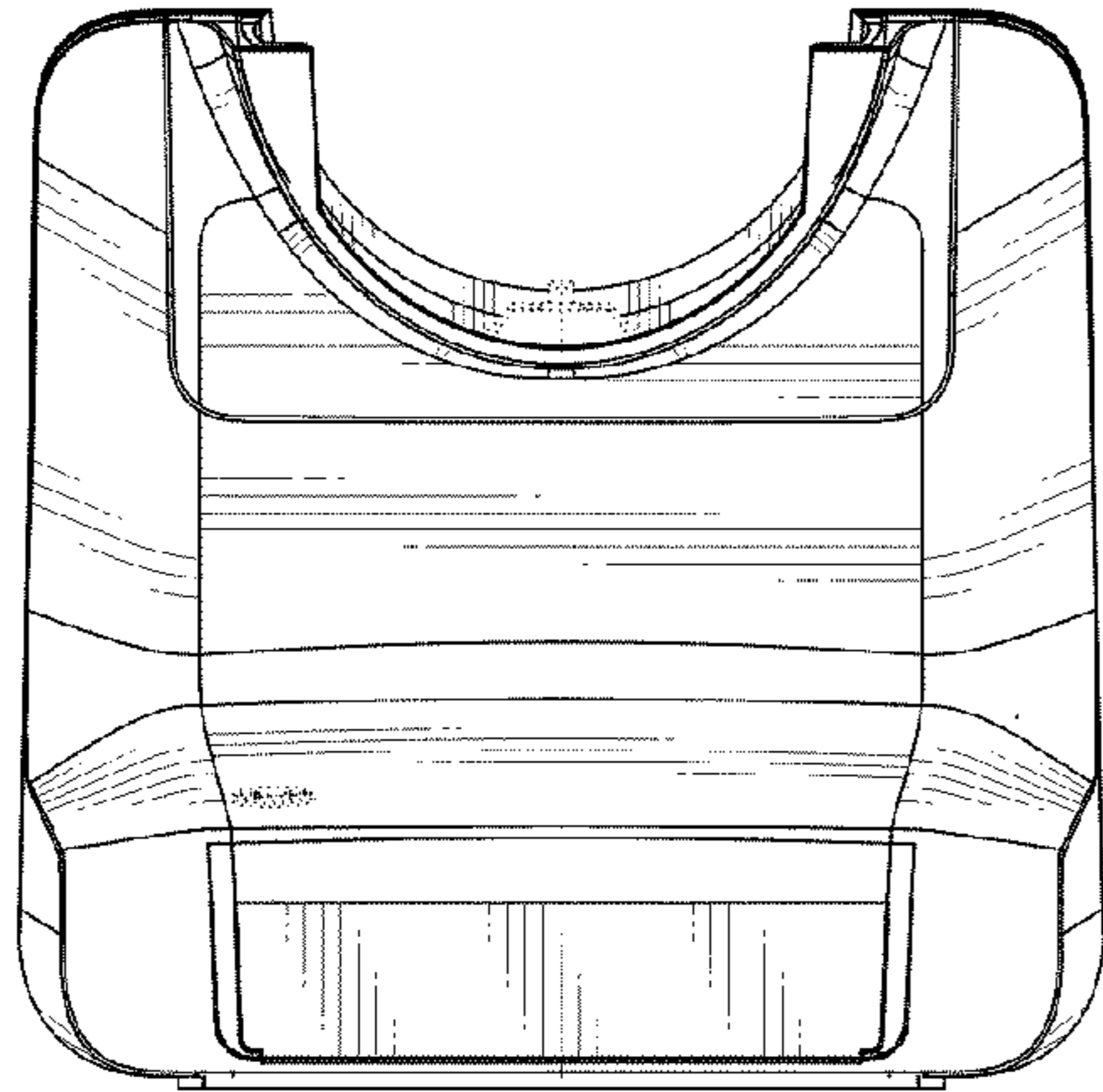
**FIG. 1**



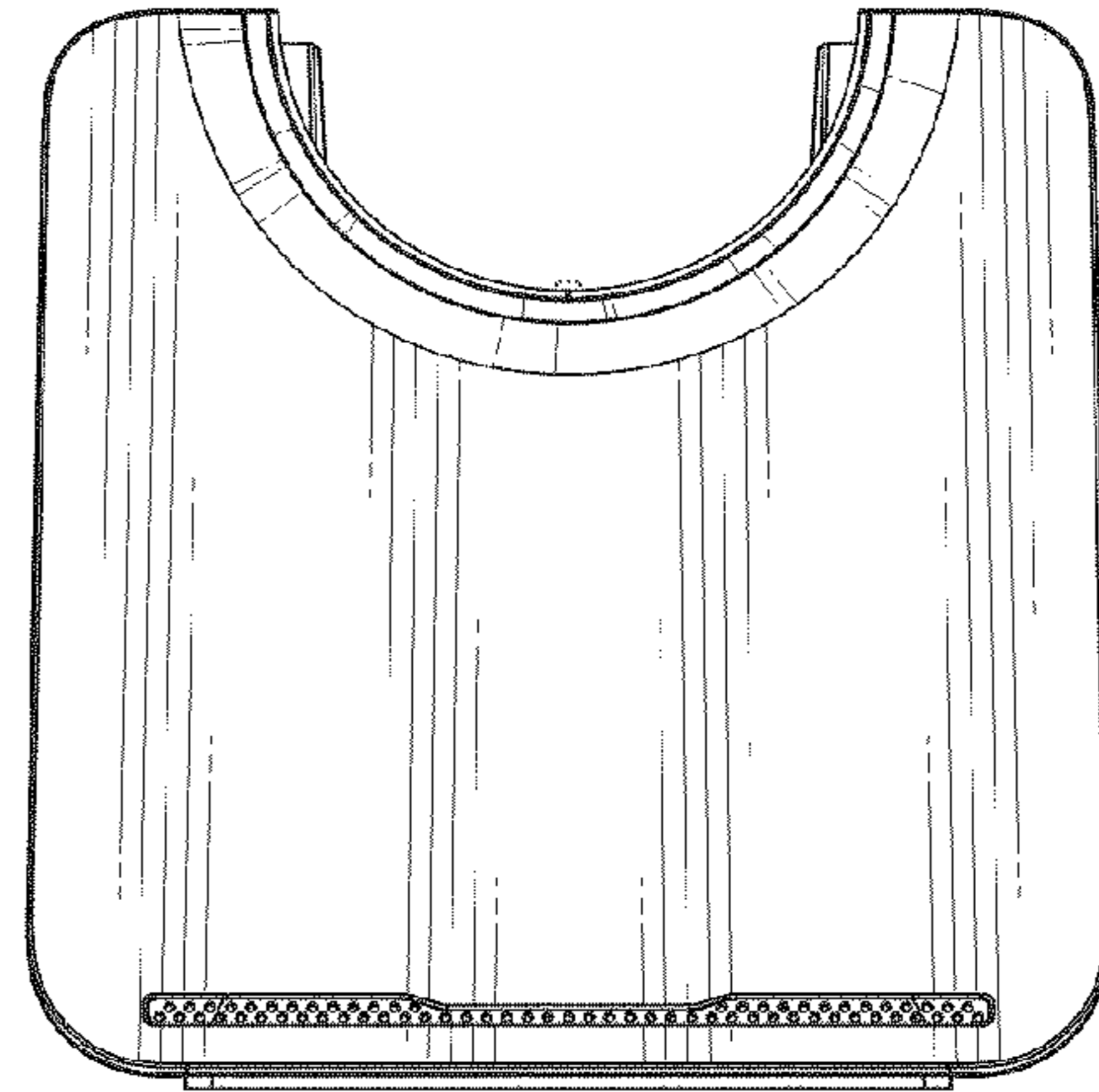
**FIG. 2**



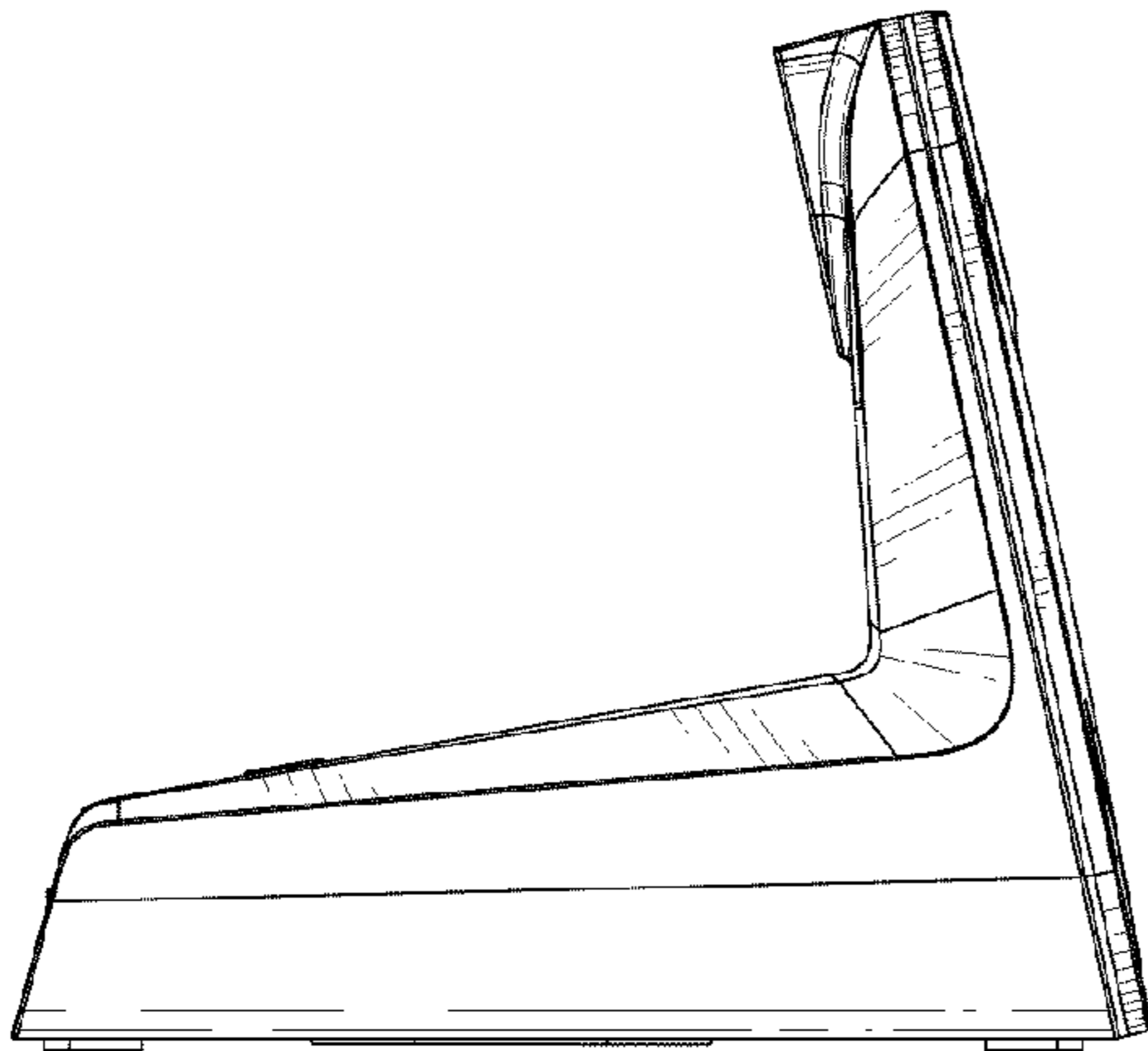
**FIG. 3**



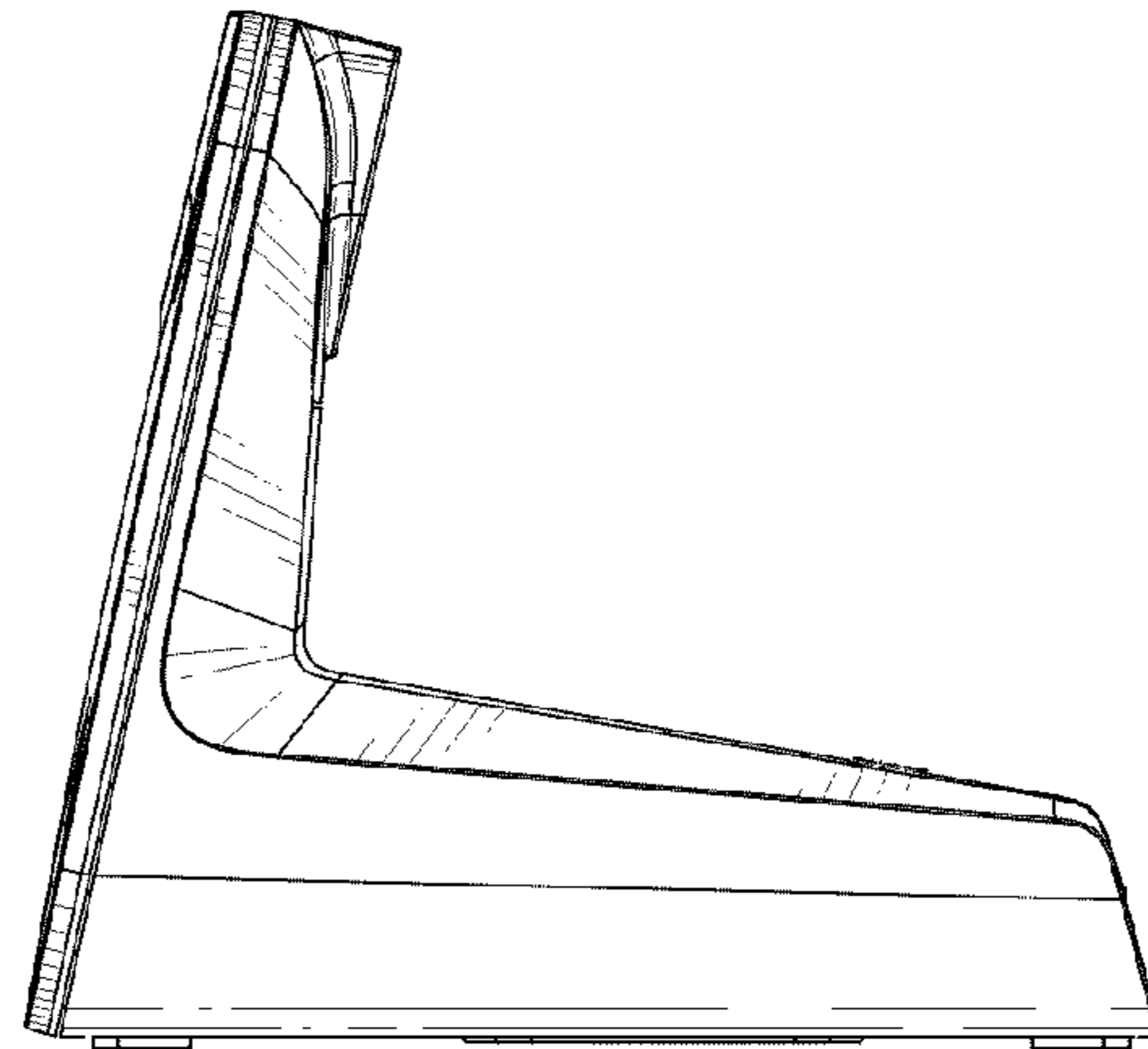
**FIG. 4**



**FIG. 5**



**FIG. 6**



**FIG. 7**