

US00D669887S

(12) **United States Design Patent**
Maddern

(10) **Patent No.:** **US D669,887 S**
(45) **Date of Patent:** **** Oct. 30, 2012**

- (54) **TELECOMMUNICATIONS HEADSET**
- (75) Inventor: **Taisen Maddern**, Melbourne (AU)
- (73) Assignee: **Blueant Wireless Pty Limited**,
Richmond (AU)
- (**) Term: **14 Years**
- (21) Appl. No.: **29/403,619**
- (22) Filed: **Oct. 7, 2011**
- (51) **LOC (9) Cl.** **14-01**
- (52) **U.S. Cl.** **D14/223**
- (58) **Field of Classification Search** D14/205,
D14/206, 223; 181/129, 130, 135; 379/430,
379/431; 381/380, 381; 455/90.3, 575.1
See application file for complete search history.

- D634,305 S * 3/2011 Hoggarth D14/223
- D635,961 S * 4/2011 Gidden et al. D14/223
- D636,381 S * 4/2011 Liner D14/223
- D637,183 S * 5/2011 March D14/223
- D637,184 S * 5/2011 March D14/223
- D640,242 S * 6/2011 Fahrendorff et al. D14/223
- D641,739 S * 7/2011 Huang D14/223
- D643,420 S * 8/2011 Huang D14/223
- D645,026 S * 9/2011 Behar et al. D14/223
- D648,710 S * 11/2011 Ha et al. D14/223
- 8,055,005 B2 * 11/2011 Liu et al. 381/374
- D649,957 S * 12/2011 Fahrendorff et al. D14/223
- D649,958 S * 12/2011 Park D14/223
- D650,773 S * 12/2011 Kim et al. D14/223
- D654,909 S * 2/2012 Kim et al. D14/223
- D656,128 S * 3/2012 Park D14/223
- D656,490 S * 3/2012 Birger D14/223
- D657,781 S * 4/2012 Yang D14/223

* cited by examiner

Primary Examiner — Paula Greene

(74) *Attorney, Agent, or Firm* — Fliesler Meyer LLP

(56) **References Cited**

U.S. PATENT DOCUMENTS

- D517,053 S * 3/2006 Ham D14/223
- D539,787 S * 4/2007 Kim et al. D14/223
- D542,267 S * 5/2007 Cha et al. D14/206
- D561,743 S * 2/2008 Huang et al. D14/223
- D562,310 S * 2/2008 Moon et al. D14/223
- D581,396 S * 11/2008 Wikel et al. D14/206
- D582,897 S * 12/2008 Christopher et al. D14/223
- D590,377 S * 4/2009 Bradford D14/223
- D595,698 S * 7/2009 Guccione et al. D14/223
- D596,164 S * 7/2009 Henning D14/223
- D600,682 S * 9/2009 Wai D14/223
- D602,005 S * 10/2009 Lee et al. D14/223
- D602,006 S * 10/2009 Kim et al. D14/223
- D602,007 S * 10/2009 Lee et al. D14/223
- D606,050 S * 12/2009 Nousiainen D14/223
- D618,221 S * 6/2010 Fahrendorff et al. D14/223
- D619,998 S * 7/2010 Birger D14/223
- D620,927 S * 8/2010 Li D14/223
- 7,778,410 B2 * 8/2010 Liu et al. 379/430
- D623,629 S * 9/2010 Lau D14/223
- D625,710 S * 10/2010 Yang D14/223
- D625,712 S * 10/2010 Yang D14/223
- D625,713 S * 10/2010 Yang D14/223
- D630,620 S * 1/2011 Lee et al. D14/223

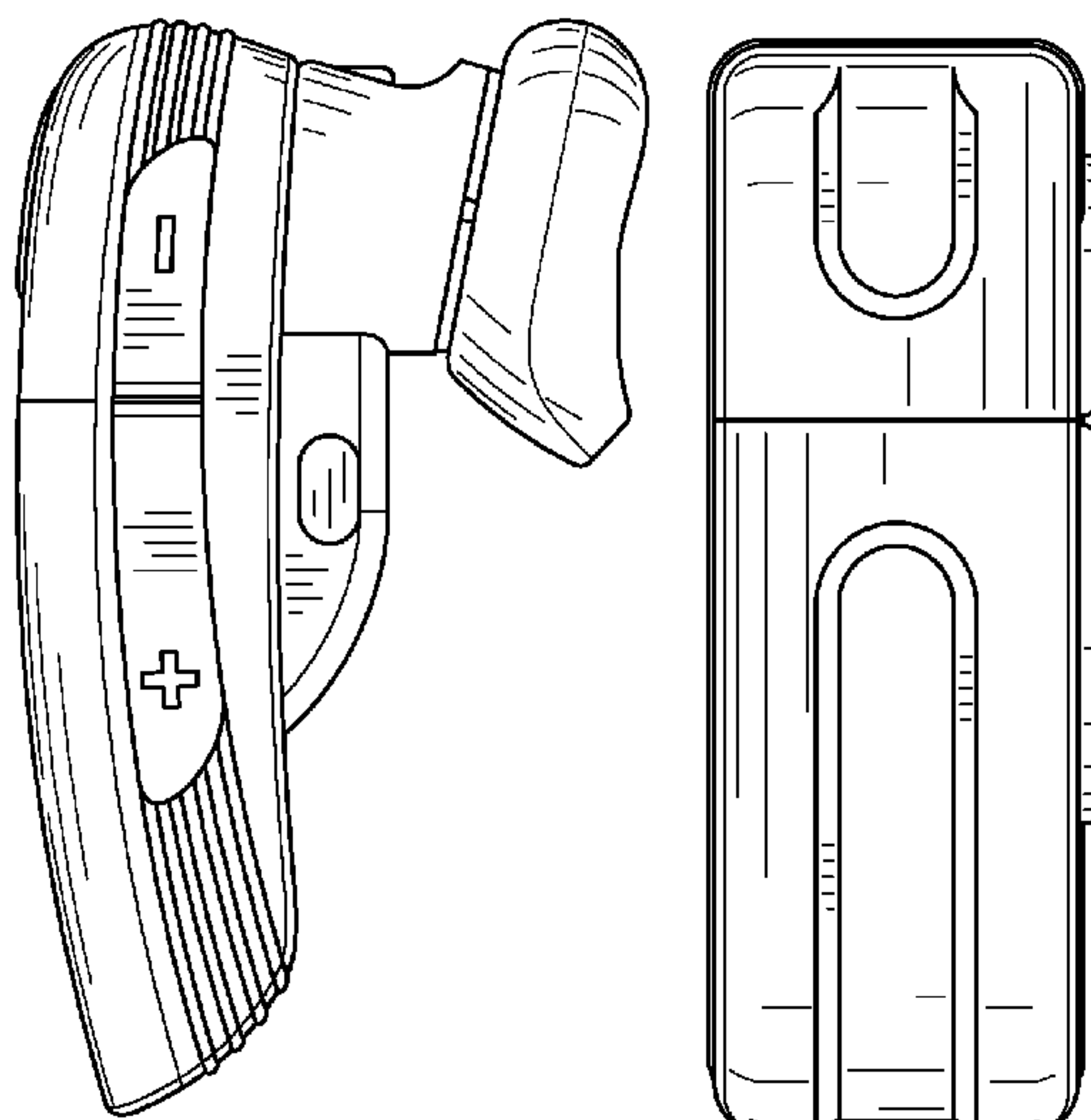
(57) **CLAIM**

The ornamental design for a telecommunications headset, as shown and described.

DESCRIPTION

FIG. 1 is a bottom view of a telecommunications headset showing my new design;
 FIG. 2 is another bottom view thereof;
 FIG. 3 is a rear view thereof;
 FIG. 4 is a right side view thereof;
 FIG. 5 is a front view thereof;
 FIG. 6 is a top view thereof;
 FIG. 7 is another top view thereof;
 FIG. 8 is a bottom right perspective view thereof;
 FIG. 9 is a rear right perspective view thereof;
 FIG. 10 is a front right perspective view thereof;
 FIG. 11 is a front left perspective view thereof;
 FIG. 12 is a rear left perspective view thereof; and,
 FIG. 13 is a top left perspective view thereof.

1 Claim, 5 Drawing Sheets



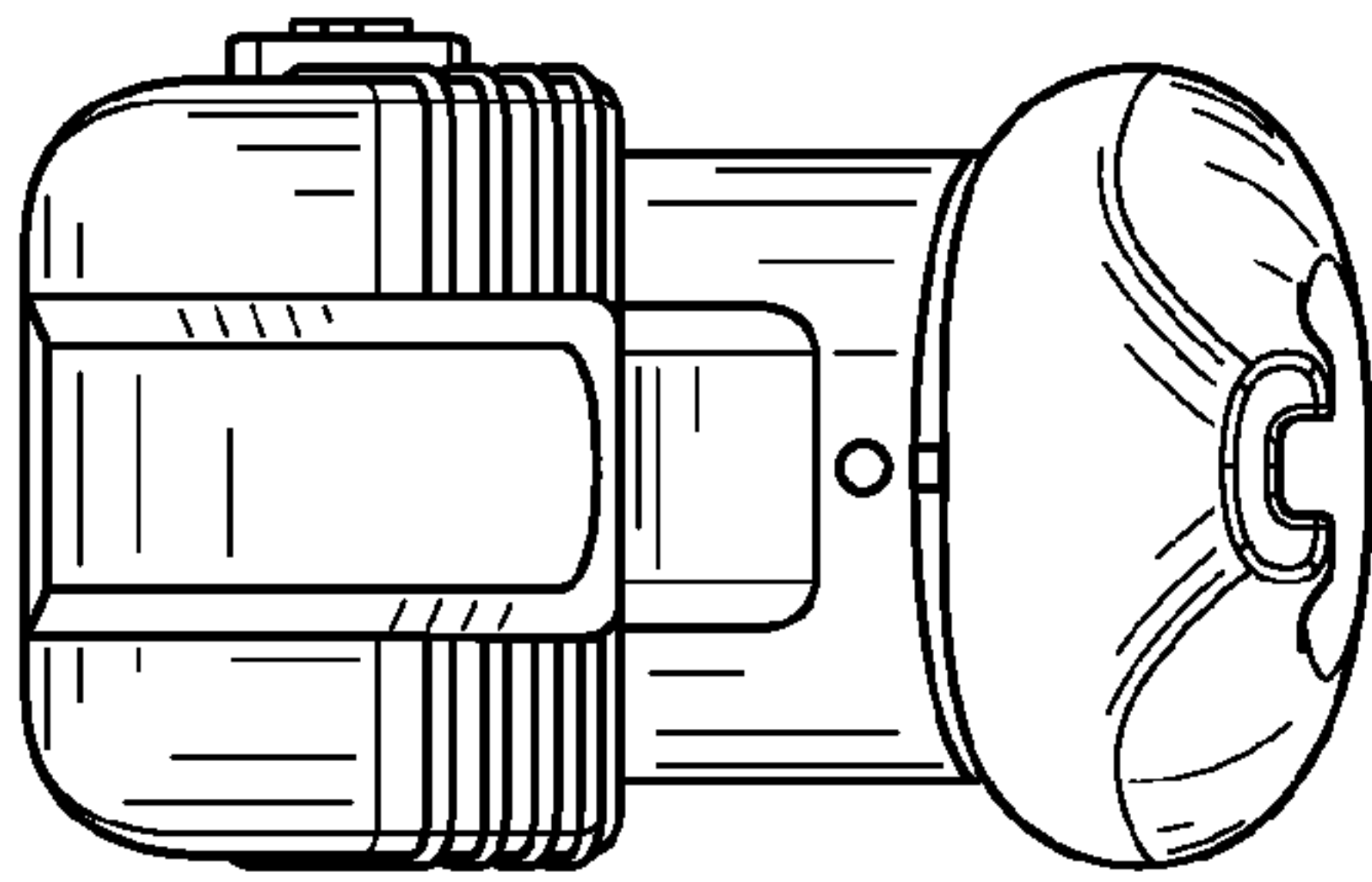


FIGURE 1

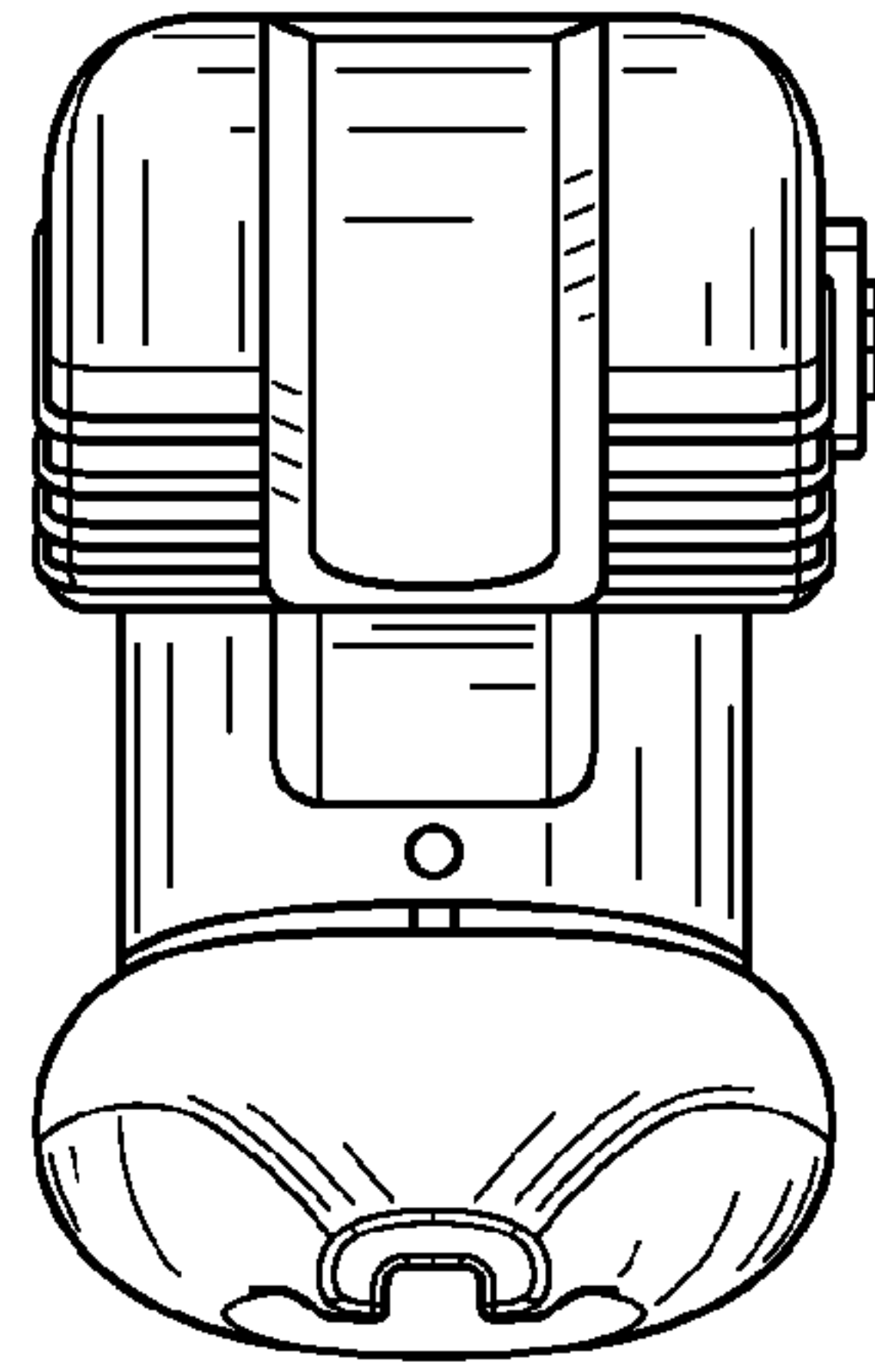


FIGURE 2

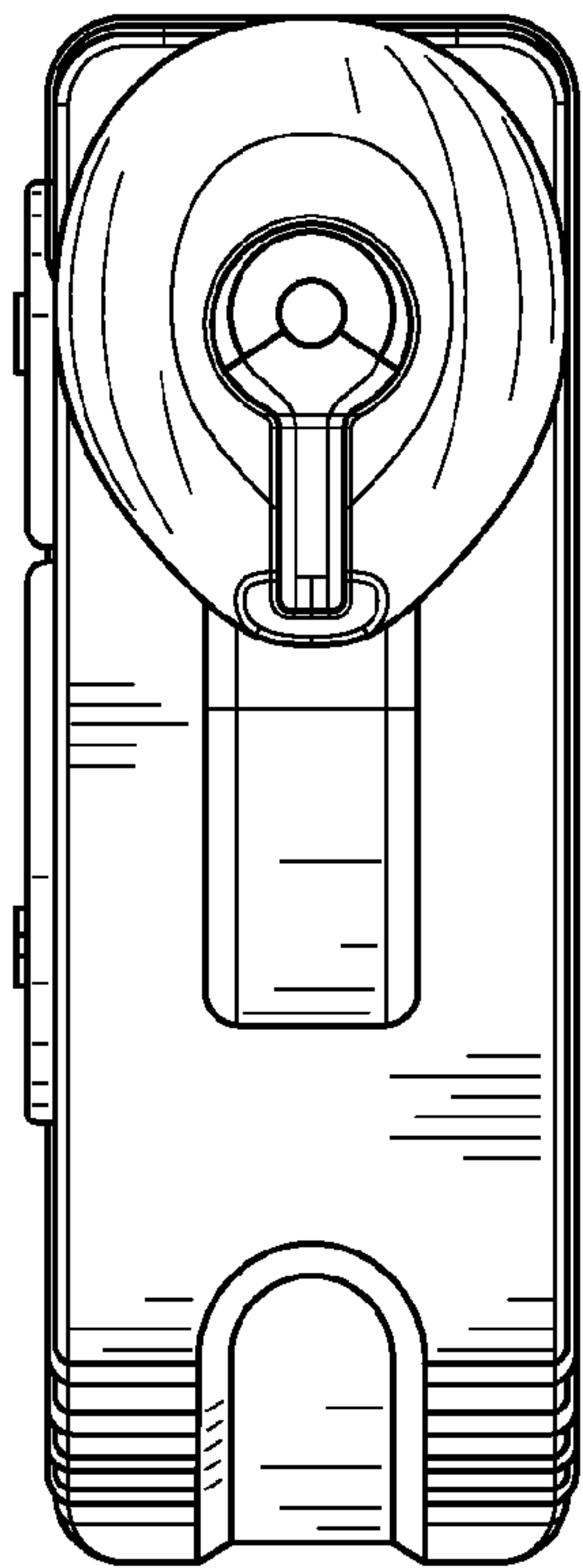


FIGURE 3

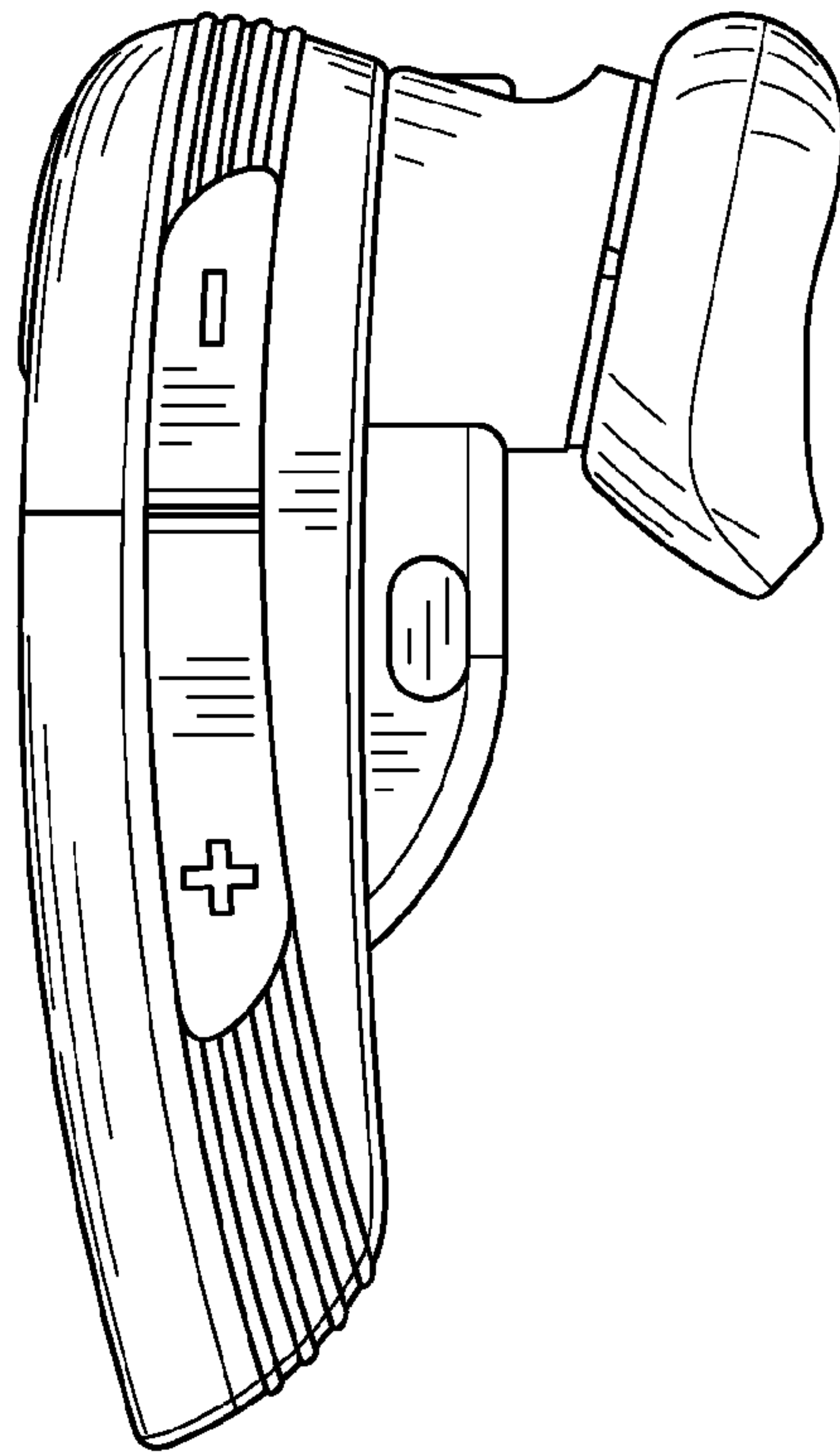


FIGURE 4

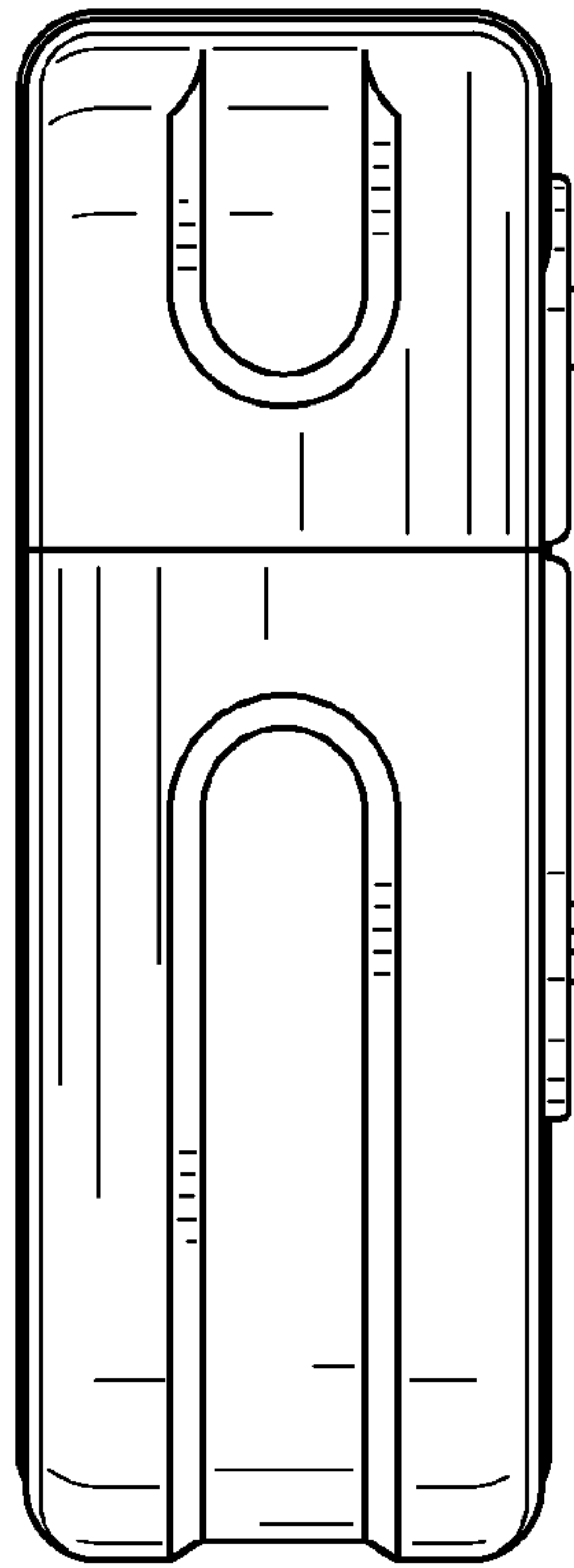


FIGURE 5

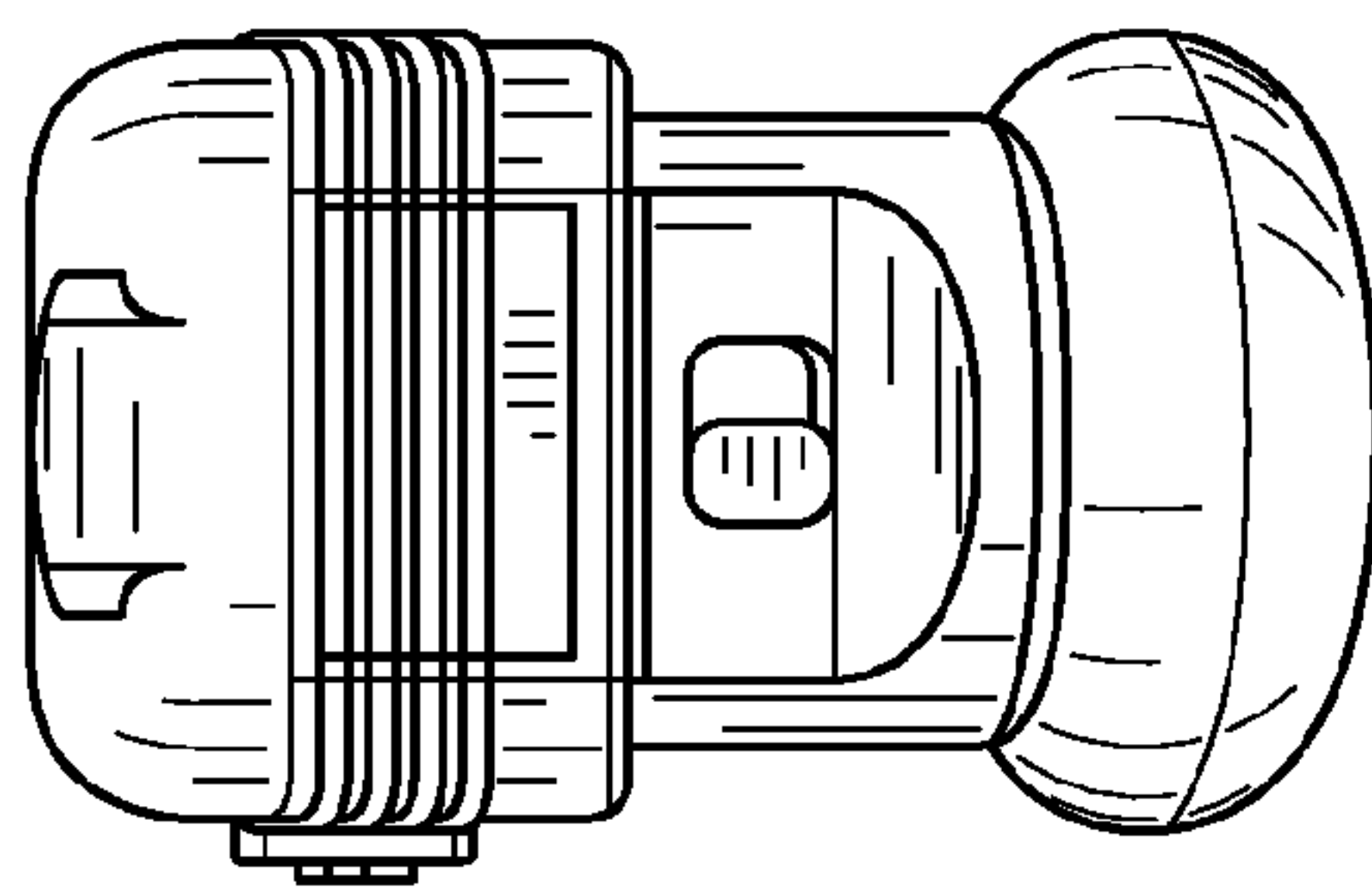


FIGURE 6

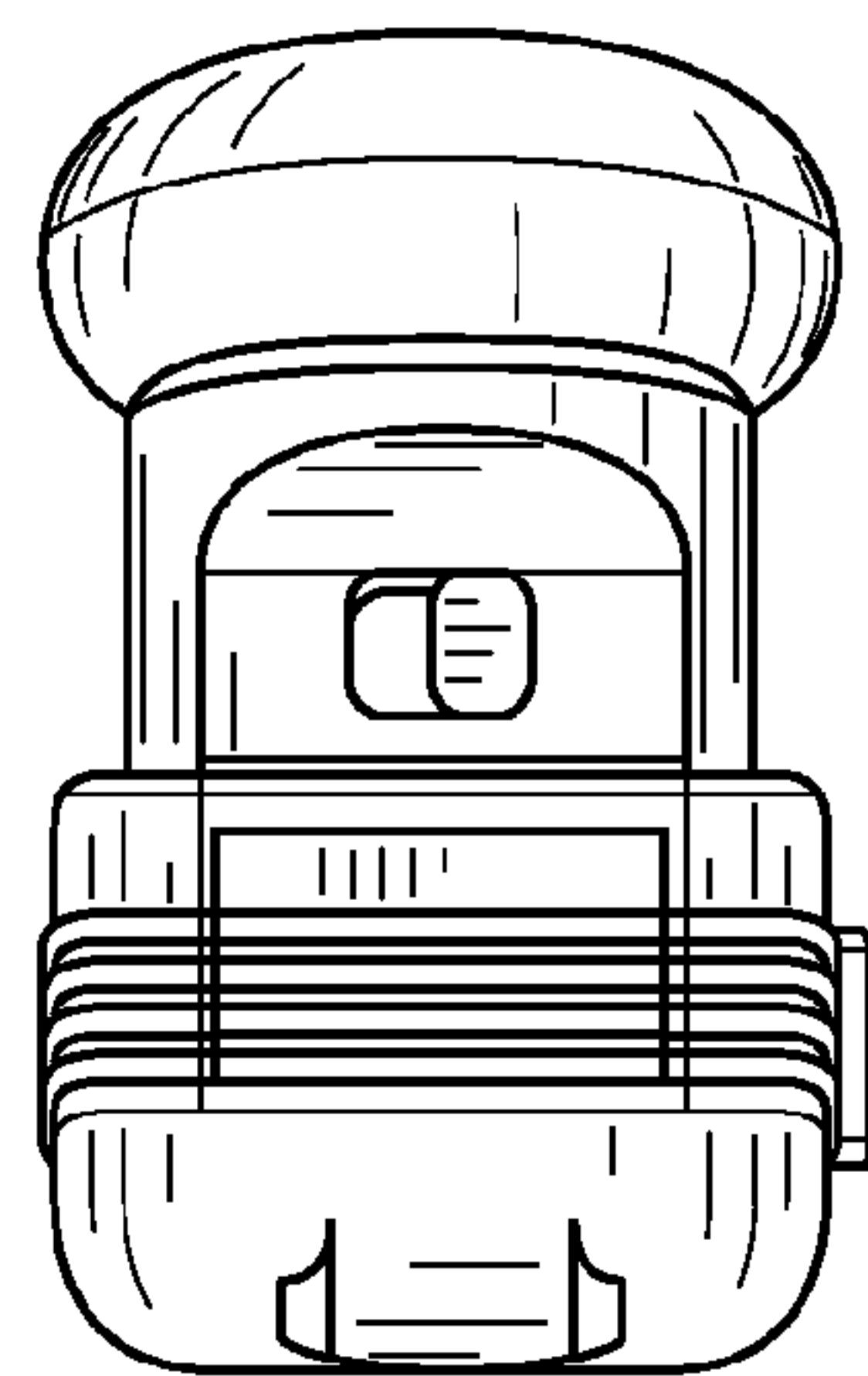


FIGURE 7

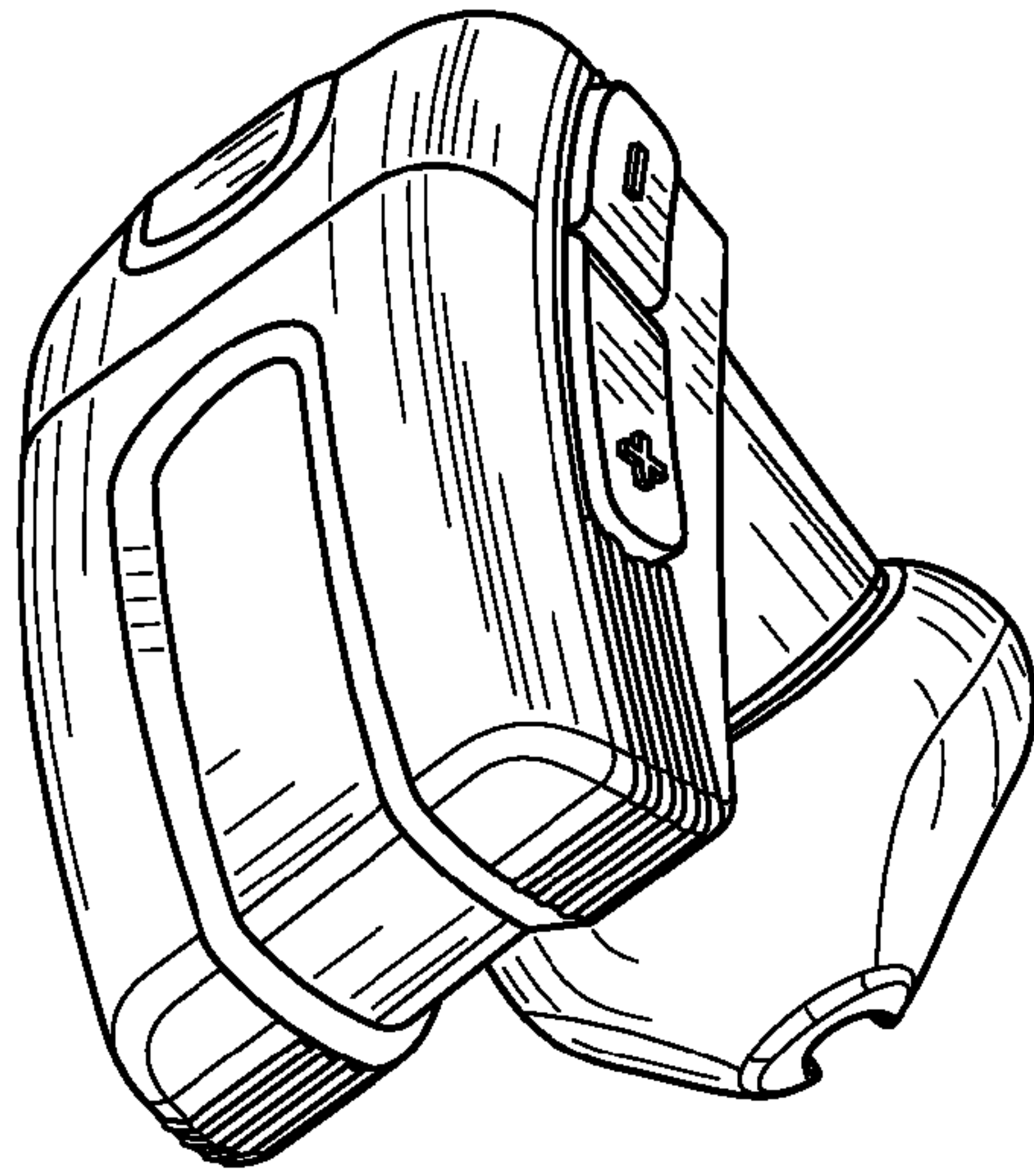


FIGURE 8

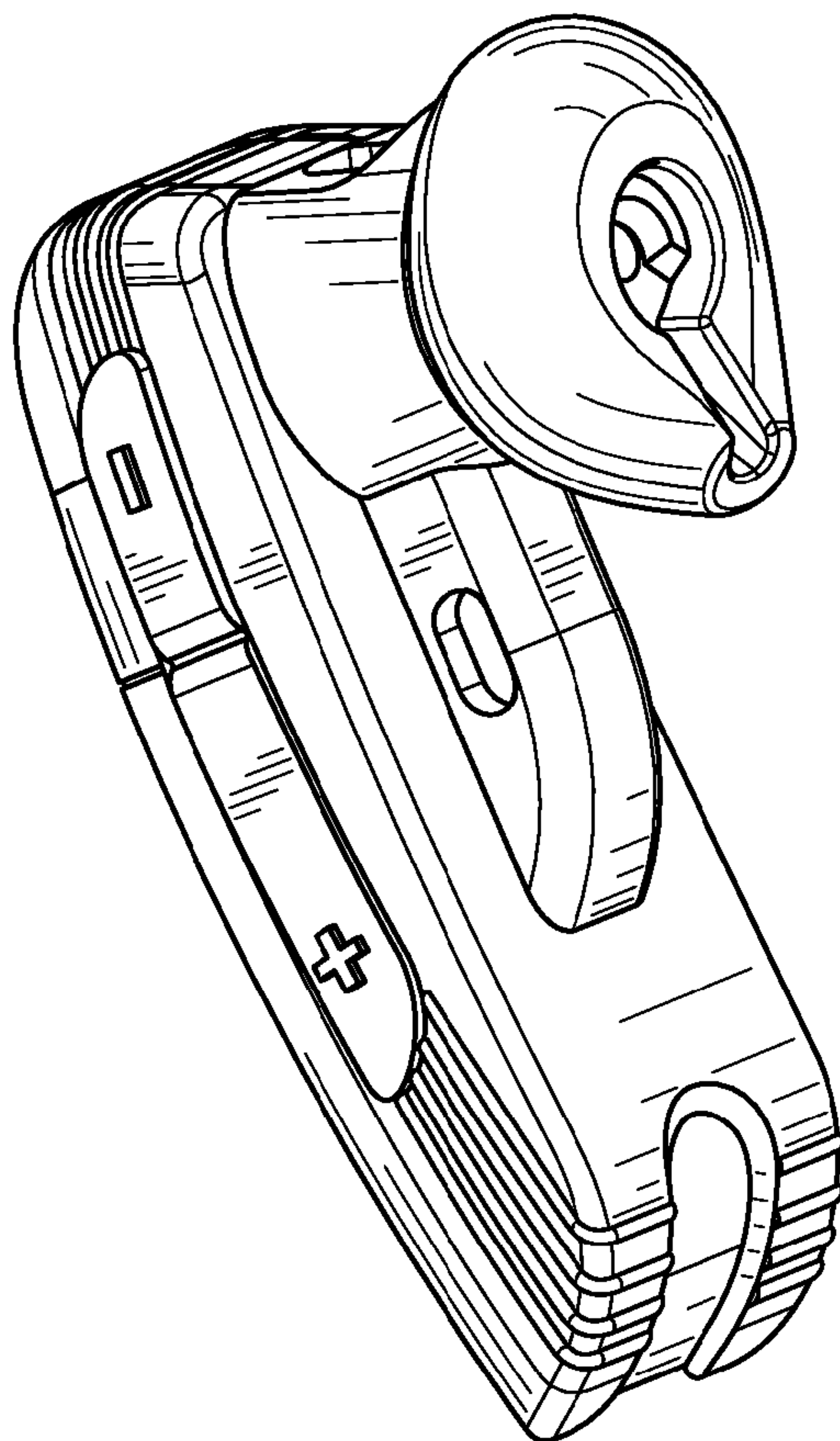


FIGURE 9

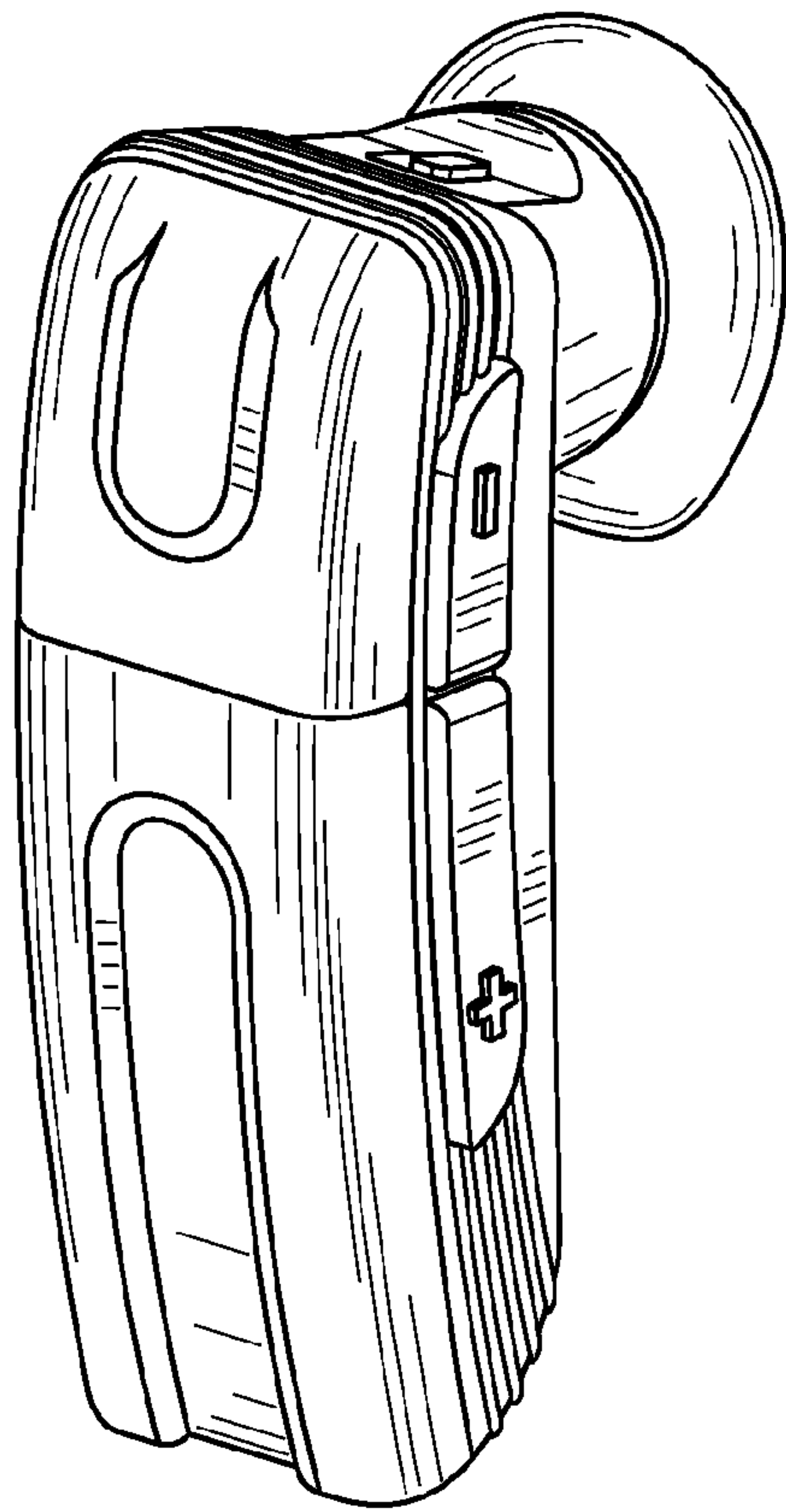


FIGURE 10

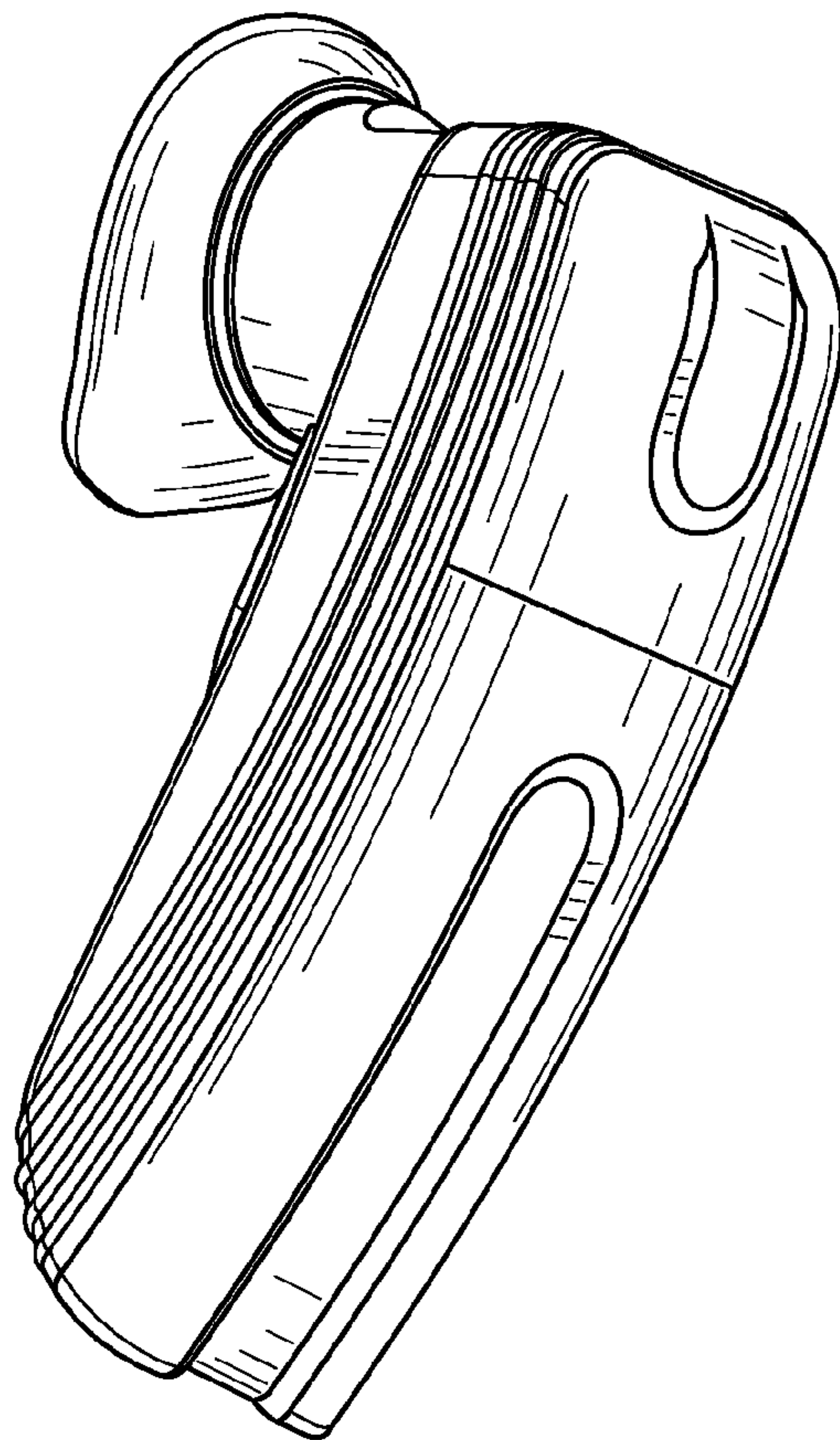


FIGURE 11

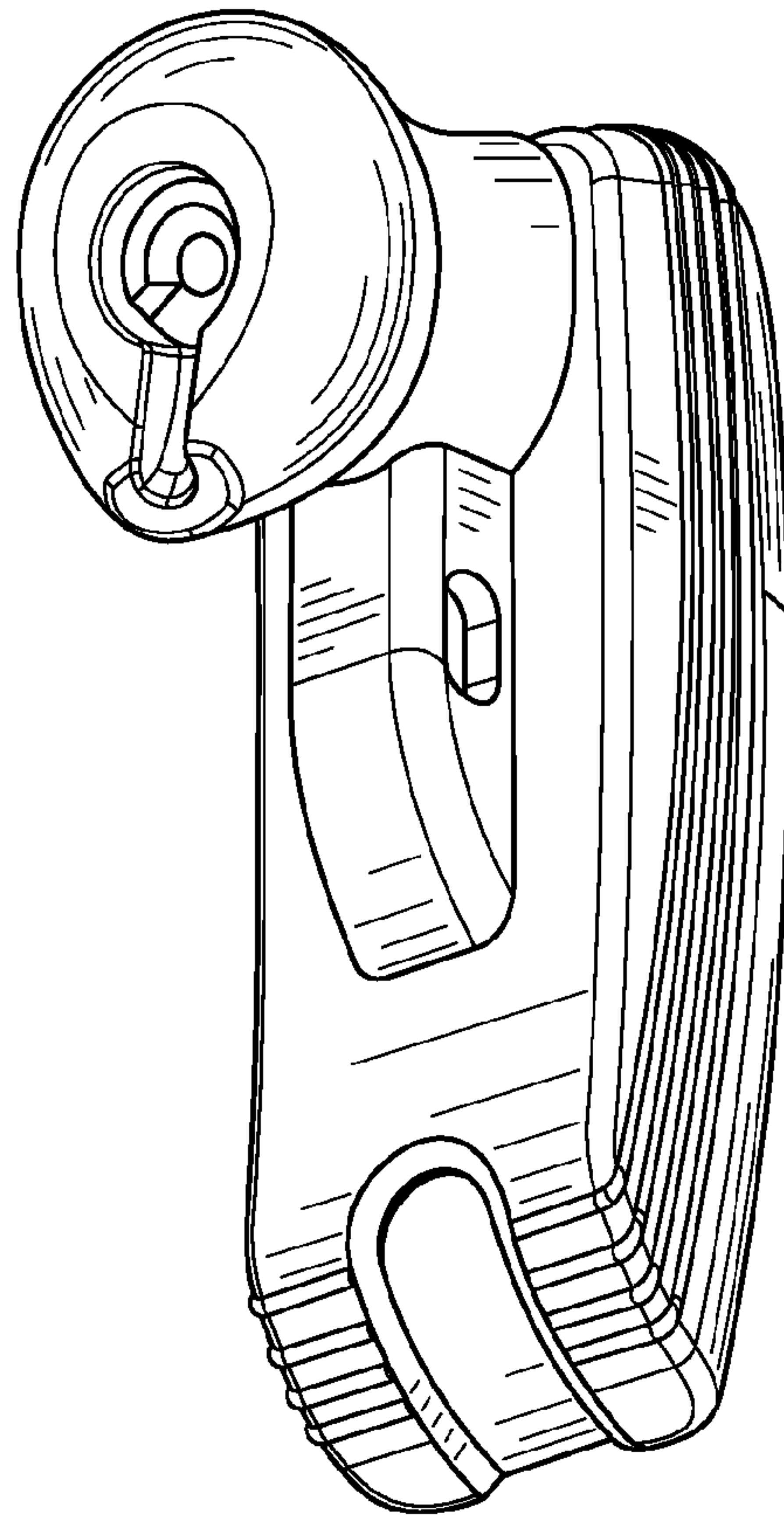


FIGURE 12

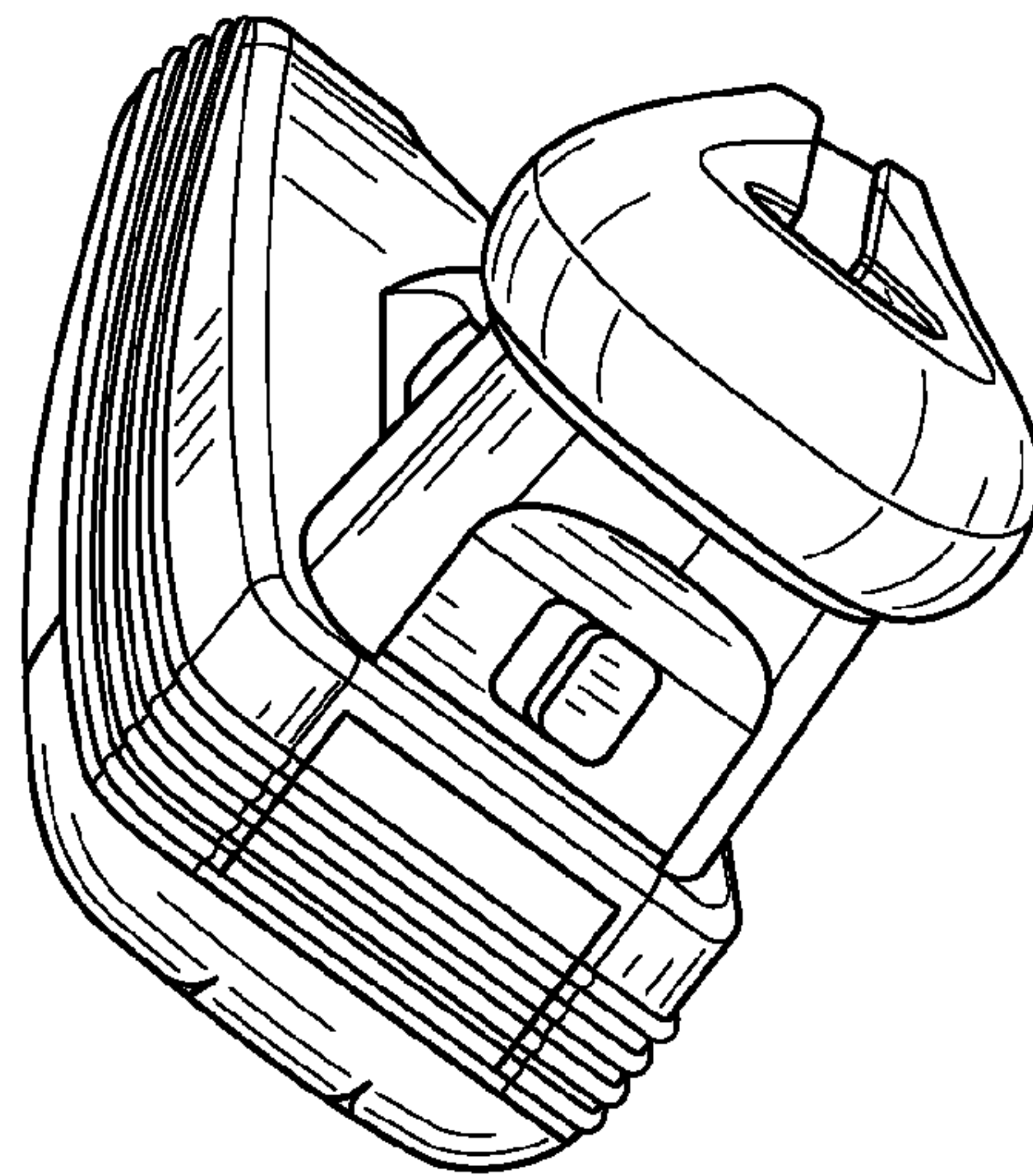


FIGURE 13