



US00D669886S

(12) **United States Design Patent**
Maddern

(10) **Patent No.:** **US D669,886 S**

(45) **Date of Patent:** **** Oct. 30, 2012**

(54) **TELECOMMUNICATIONS HEADSET**

(75) Inventor: **Taisen Maddern**, Melbourne (AU)

(73) Assignee: **Blueant Wireless Pty Limited**,
Richmond (AU)

(**) Term: **14 Years**

(21) Appl. No.: **29/403,615**

(22) Filed: **Oct. 7, 2011**

(51) **LOC (9) Cl.** **14-01**

(52) **U.S. Cl.** **D14/223**

(58) **Field of Classification Search** D14/205,
D14/206, 223; 181/129, 130, 135; 379/430,
379/431; 381/380, 381; 455/90.3, 575.1
See application file for complete search history.

(56) **References Cited**

U.S. PATENT DOCUMENTS

D337,118 S *	7/1993	Seikita	D14/223
D337,589 S *	7/1993	Wada	D14/223
D463,789 S *	10/2002	DeKalb et al.	D14/223
D517,053 S *	3/2006	Ham	D14/223
D517,054 S *	3/2006	Yang	D14/223
D520,497 S *	5/2006	Yang	D14/223
D523,846 S *	6/2006	Lee	D14/205
D538,271 S *	3/2007	Kim et al.	D14/223
D574,366 S *	8/2008	Sade et al.	D14/223

D583,804 S *	12/2008	Mahler et al.	D14/223
D610,575 S *	2/2010	Brickstad	D14/223
7,864,974 B2 *	1/2011	Chen	381/345
D639,279 S *	6/2011	Andre et al.	D14/223
D641,738 S *	7/2011	Perez	D14/223
D643,420 S *	8/2011	Huang	D14/223

* cited by examiner

Primary Examiner — Paula Greene

(74) *Attorney, Agent, or Firm* — Fliesler Meyer LLP

(57) **CLAIM**

The ornamental design for a telecommunications headset, as shown and described.

DESCRIPTION

FIG. 1 is a top view of a telecommunications headset showing my new design;

FIG. 2 is a rear view thereof;

FIG. 3 is a left side view thereof;

FIG. 4 is a front view thereof;

FIG. 5 is a right side view thereof;

FIG. 6 is a bottom view thereof;

FIG. 7 is a front left perspective view thereof;

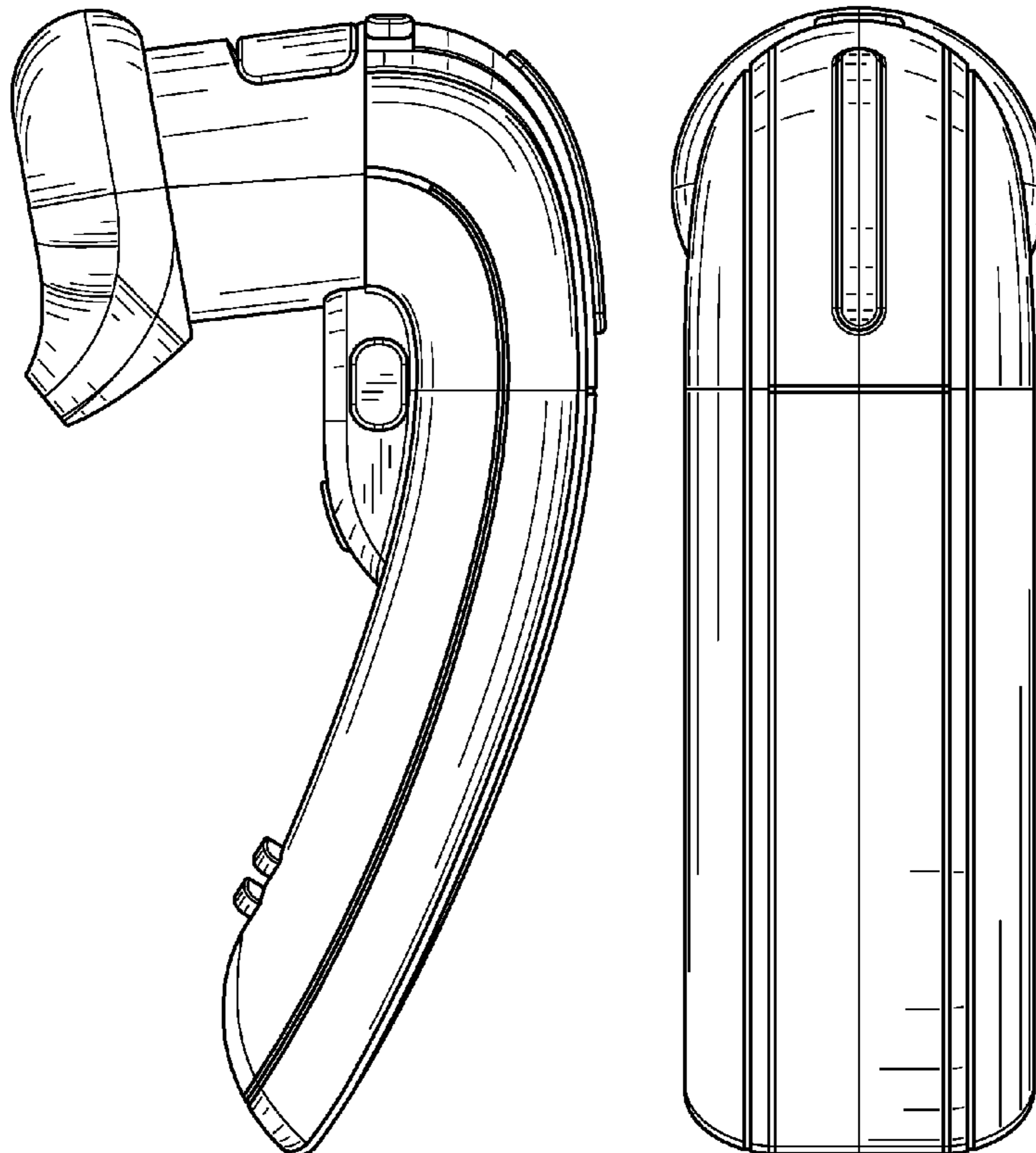
FIG. 8 is a front right perspective view thereof;

FIG. 9 is a rear right perspective view thereof;

FIG. 10 is a rear left perspective view thereof; and,

FIG. 11 is a top left perspective view thereof.

1 Claim, 5 Drawing Sheets



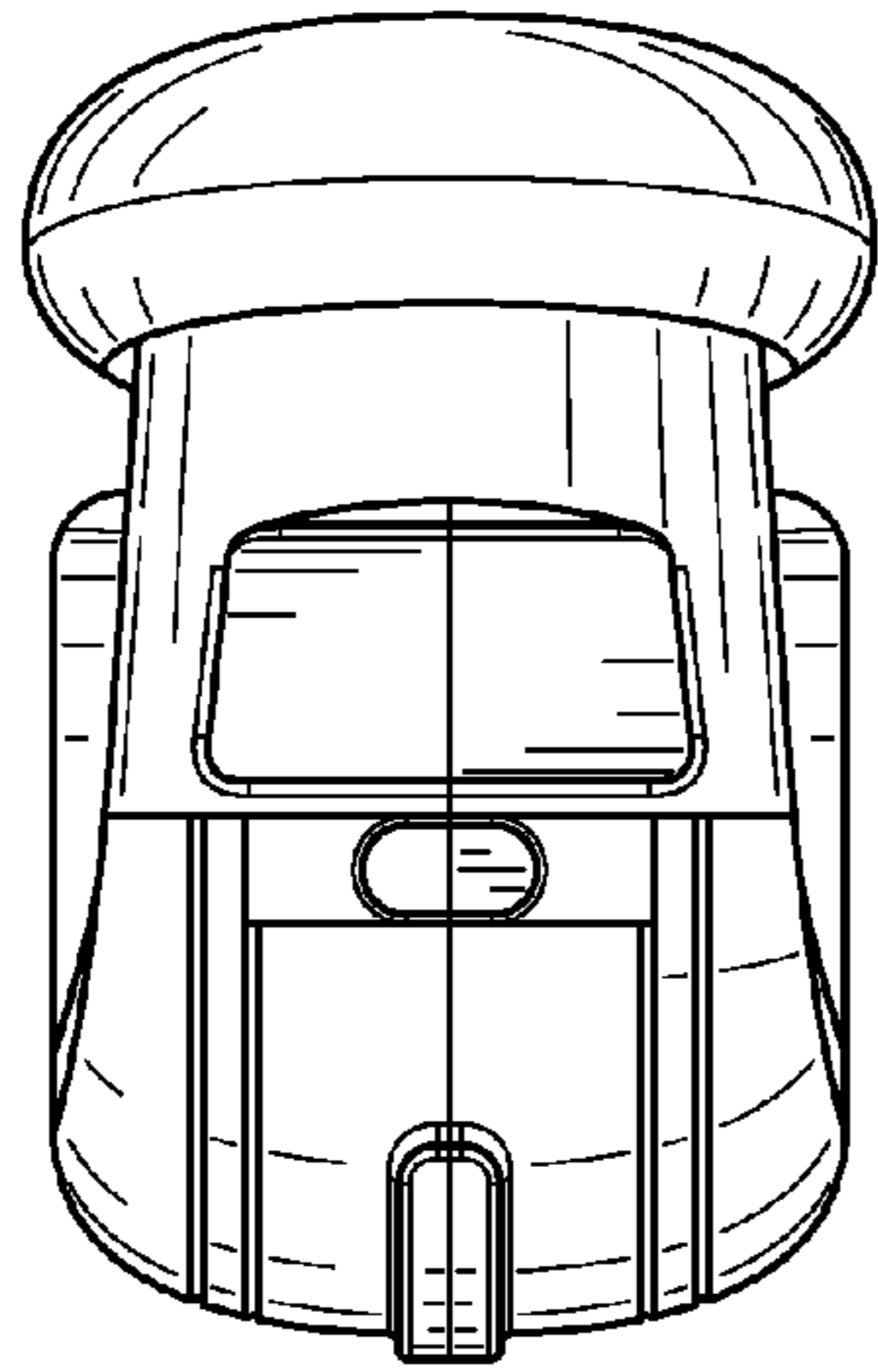


FIGURE 1

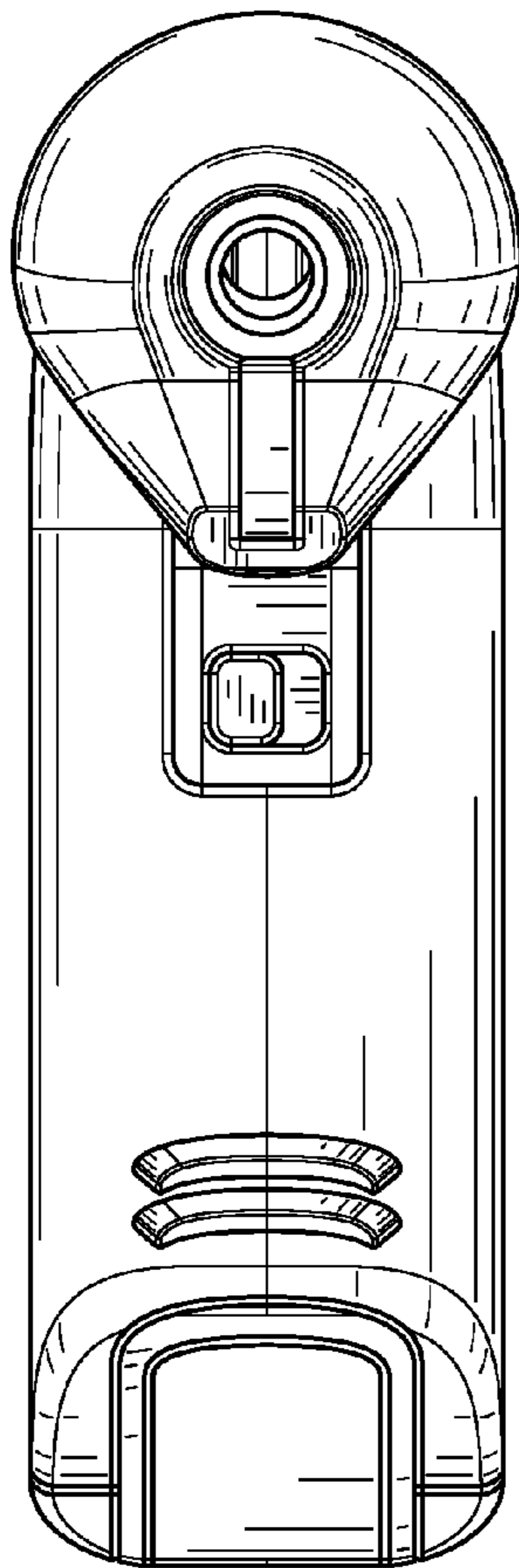


FIGURE 2

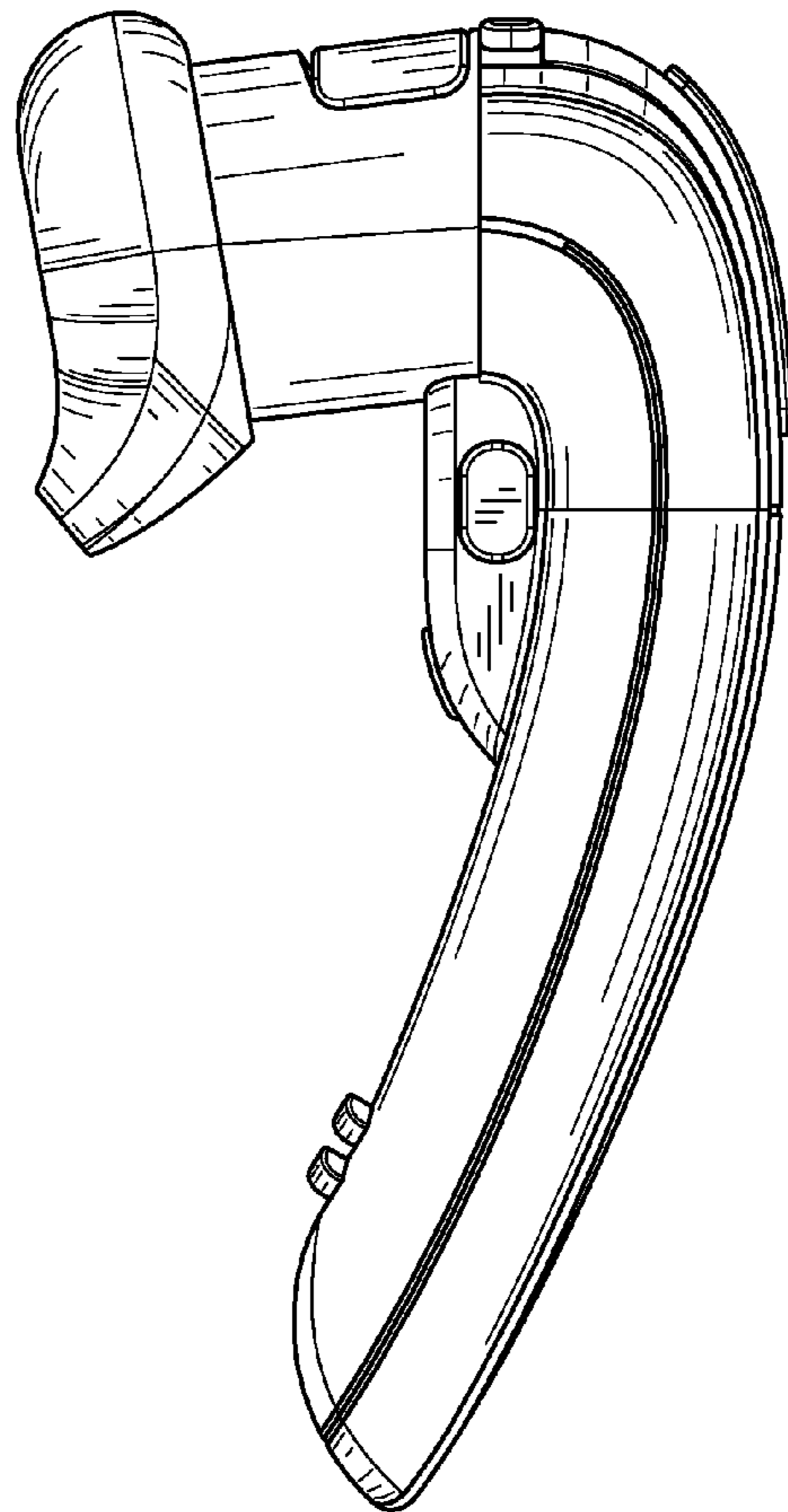


FIGURE 3

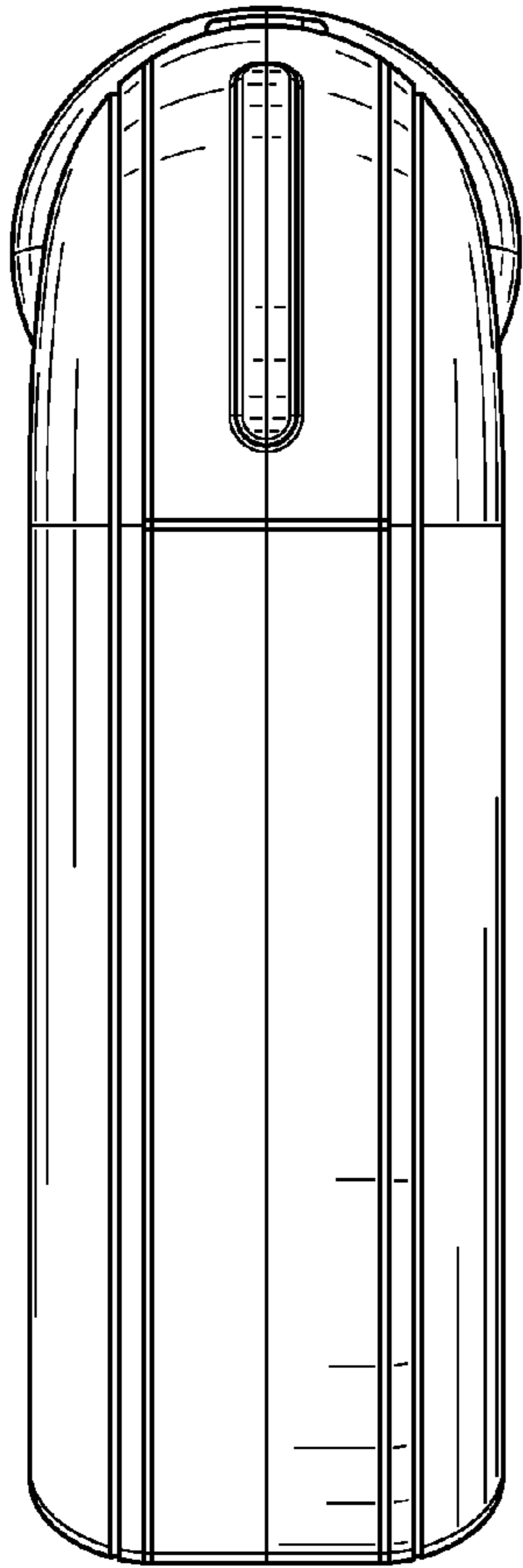


FIGURE 4

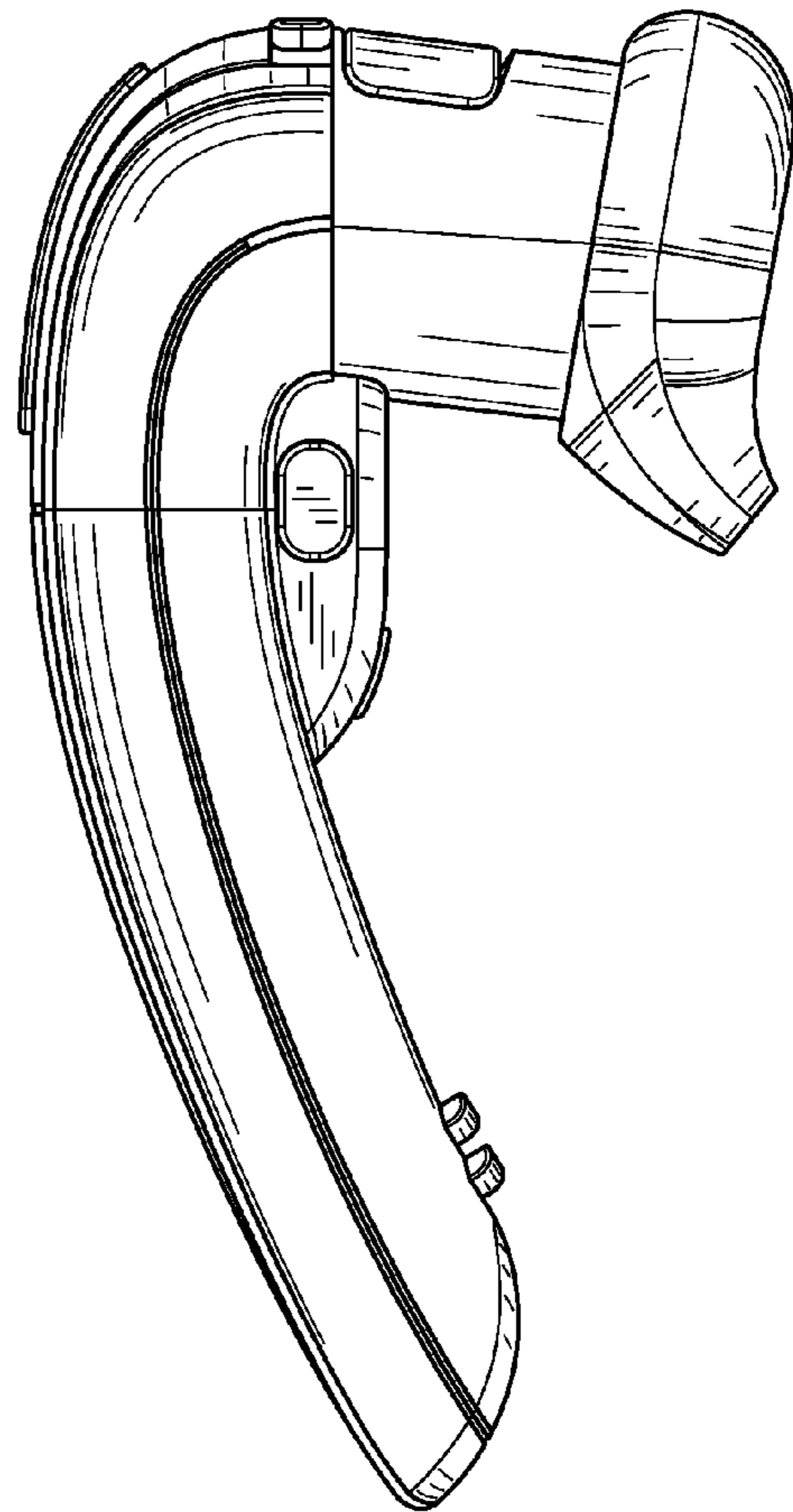


FIGURE 5

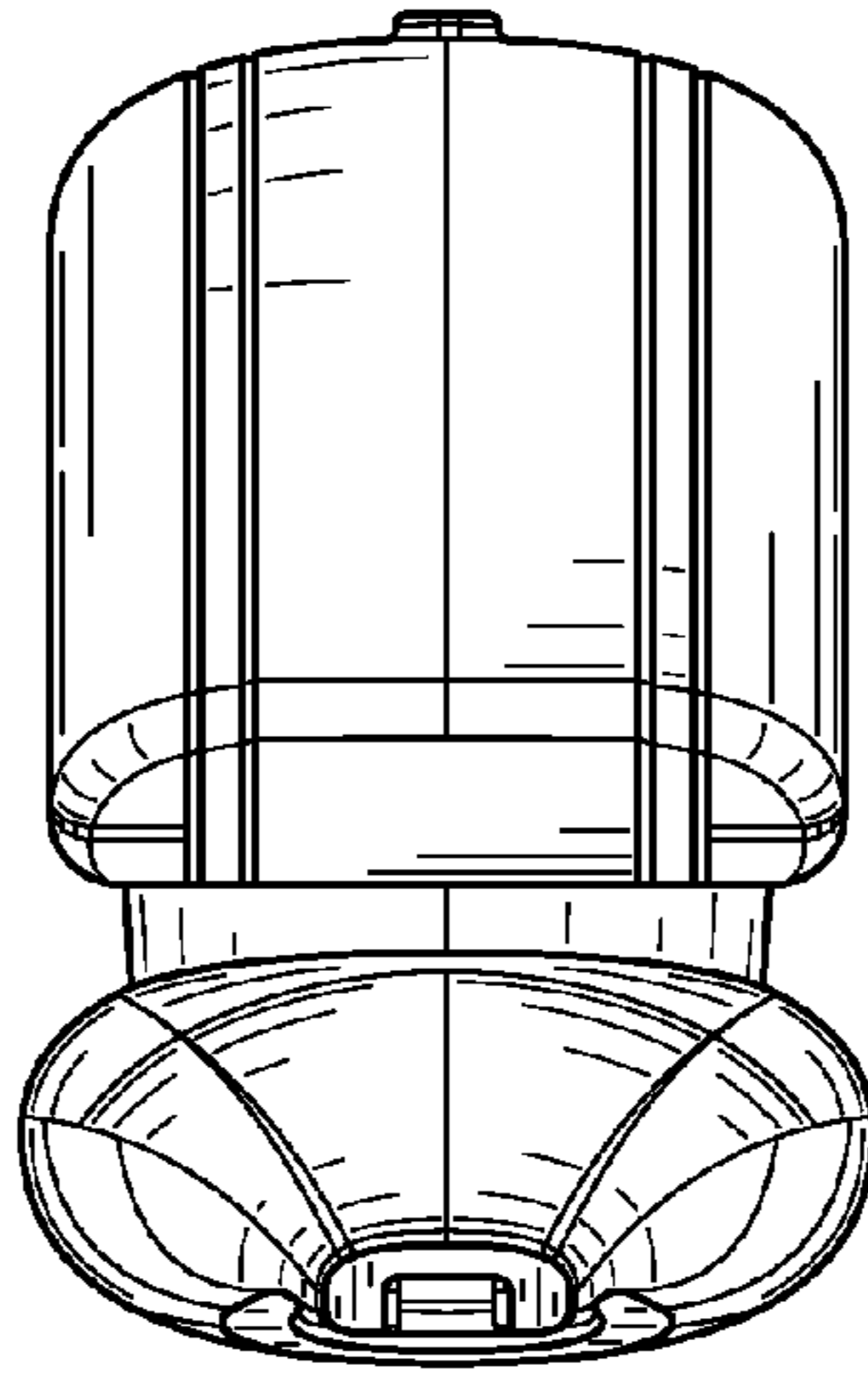


FIGURE 6

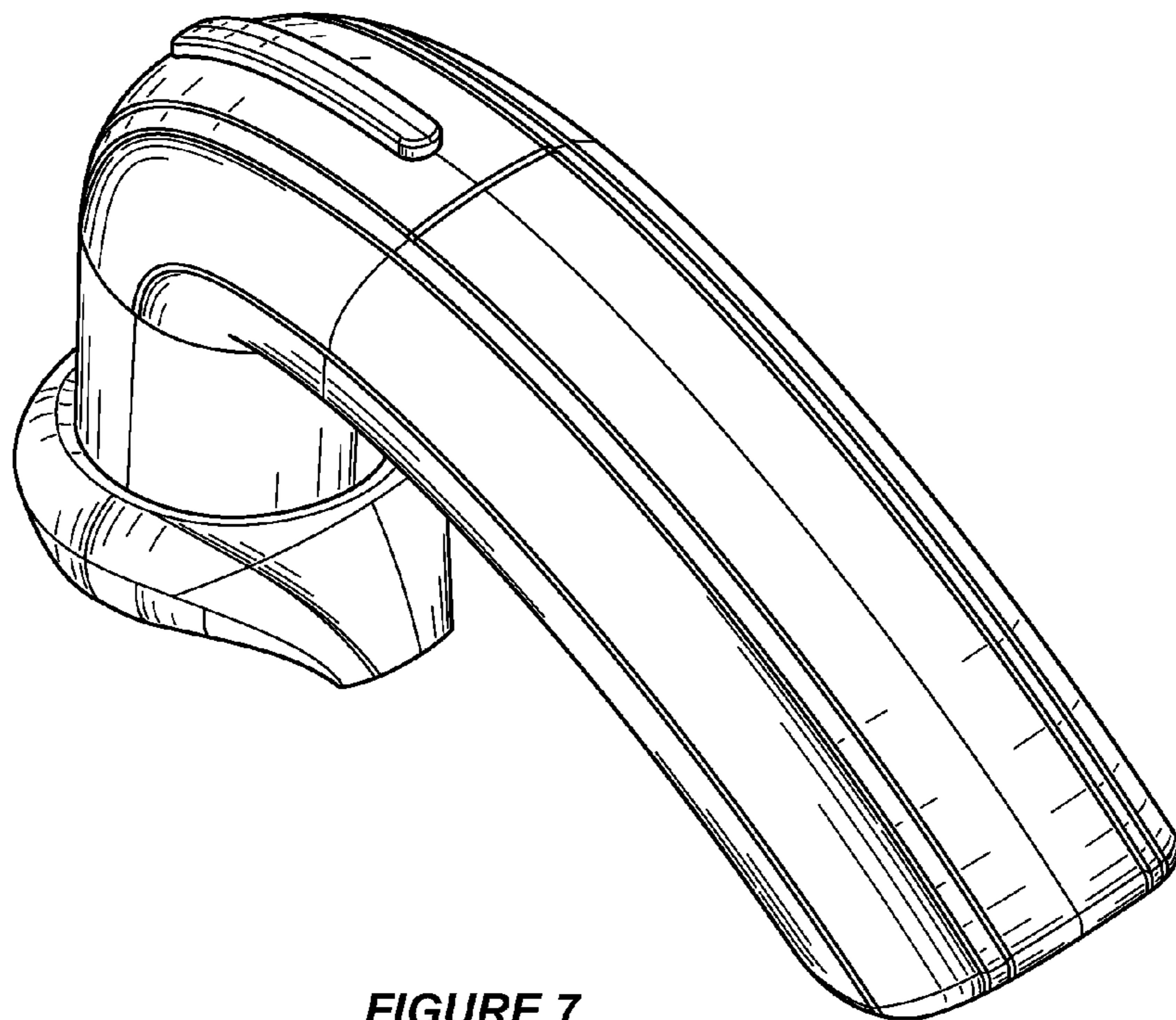


FIGURE 7

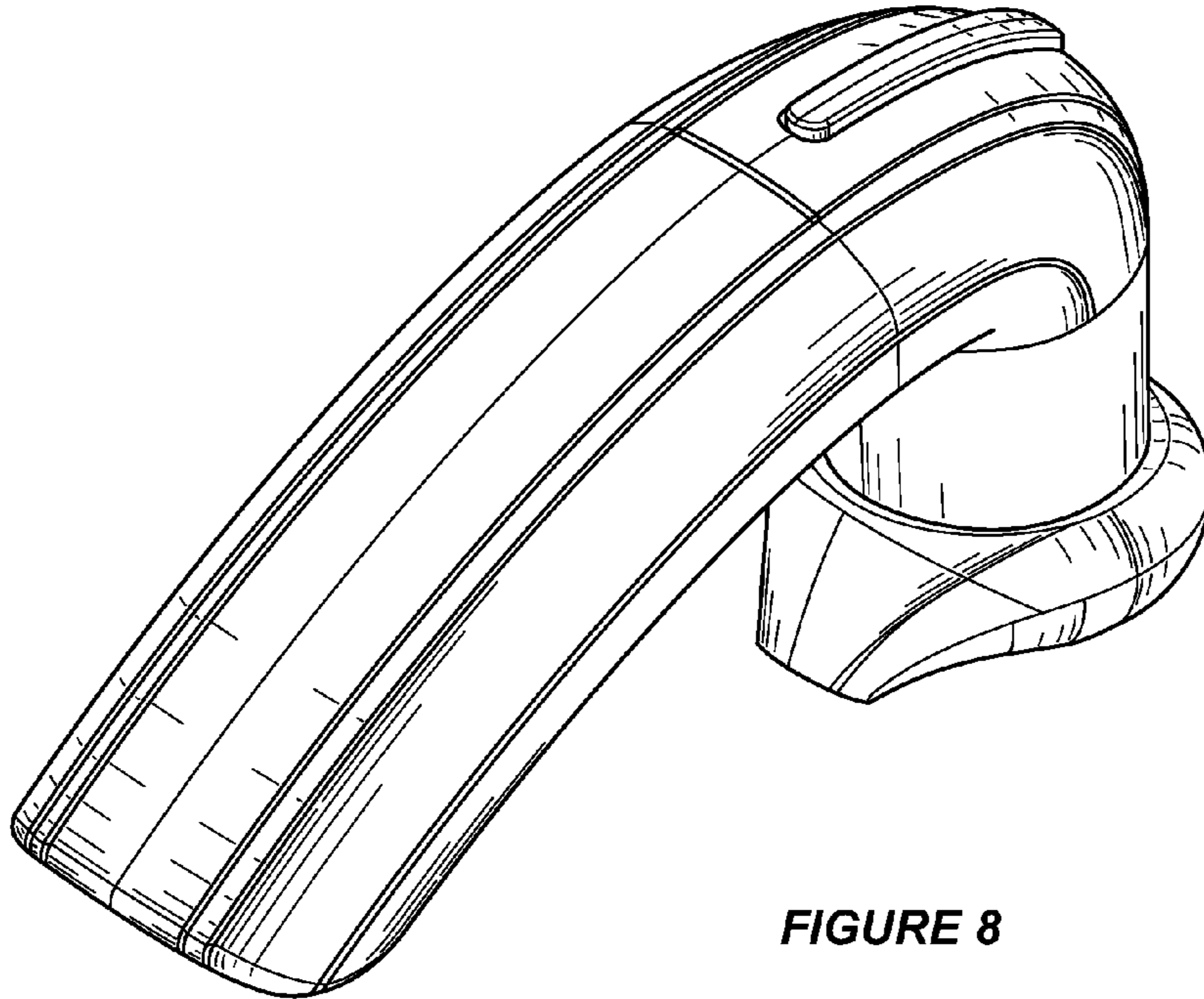


FIGURE 8

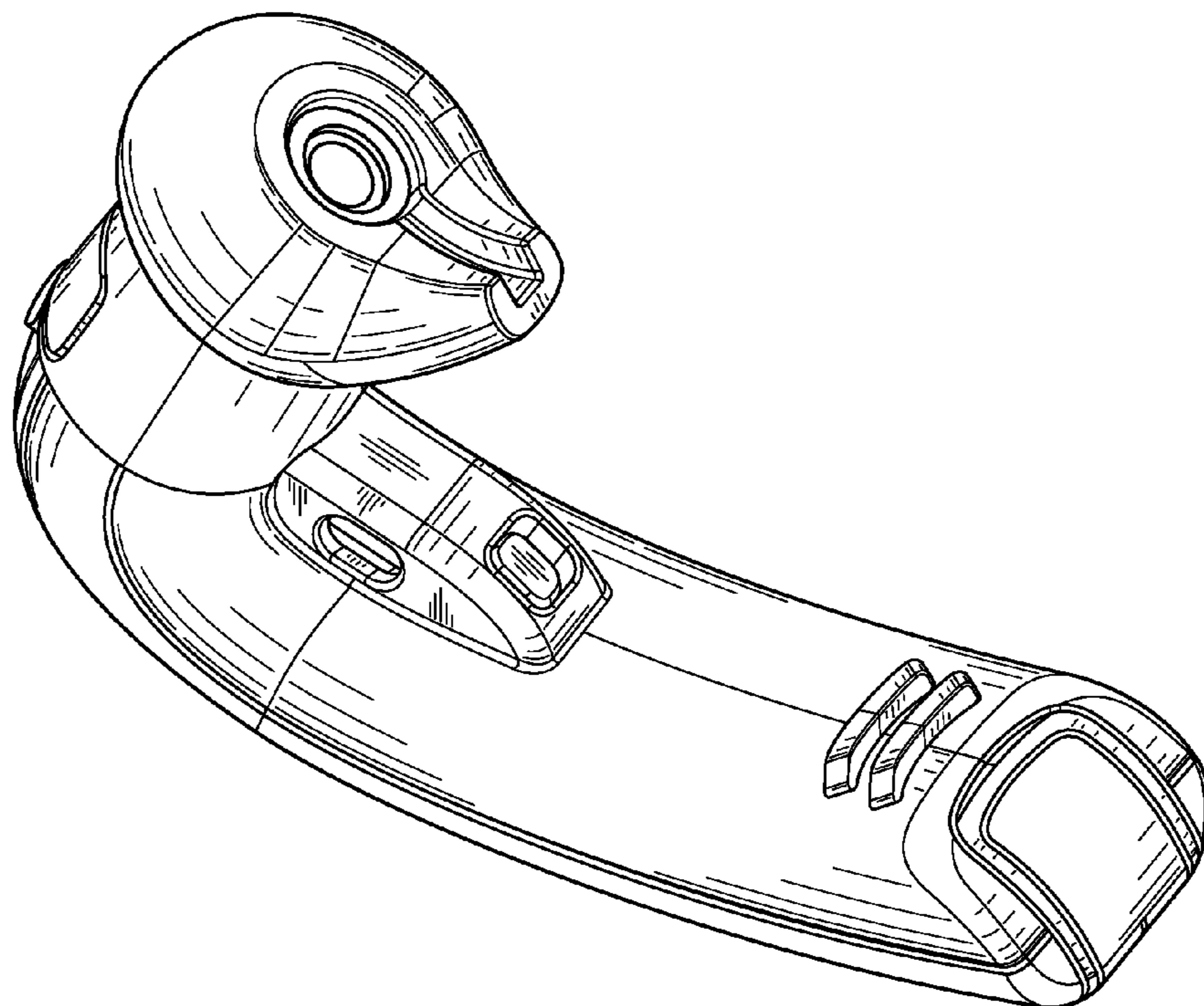


FIGURE 9

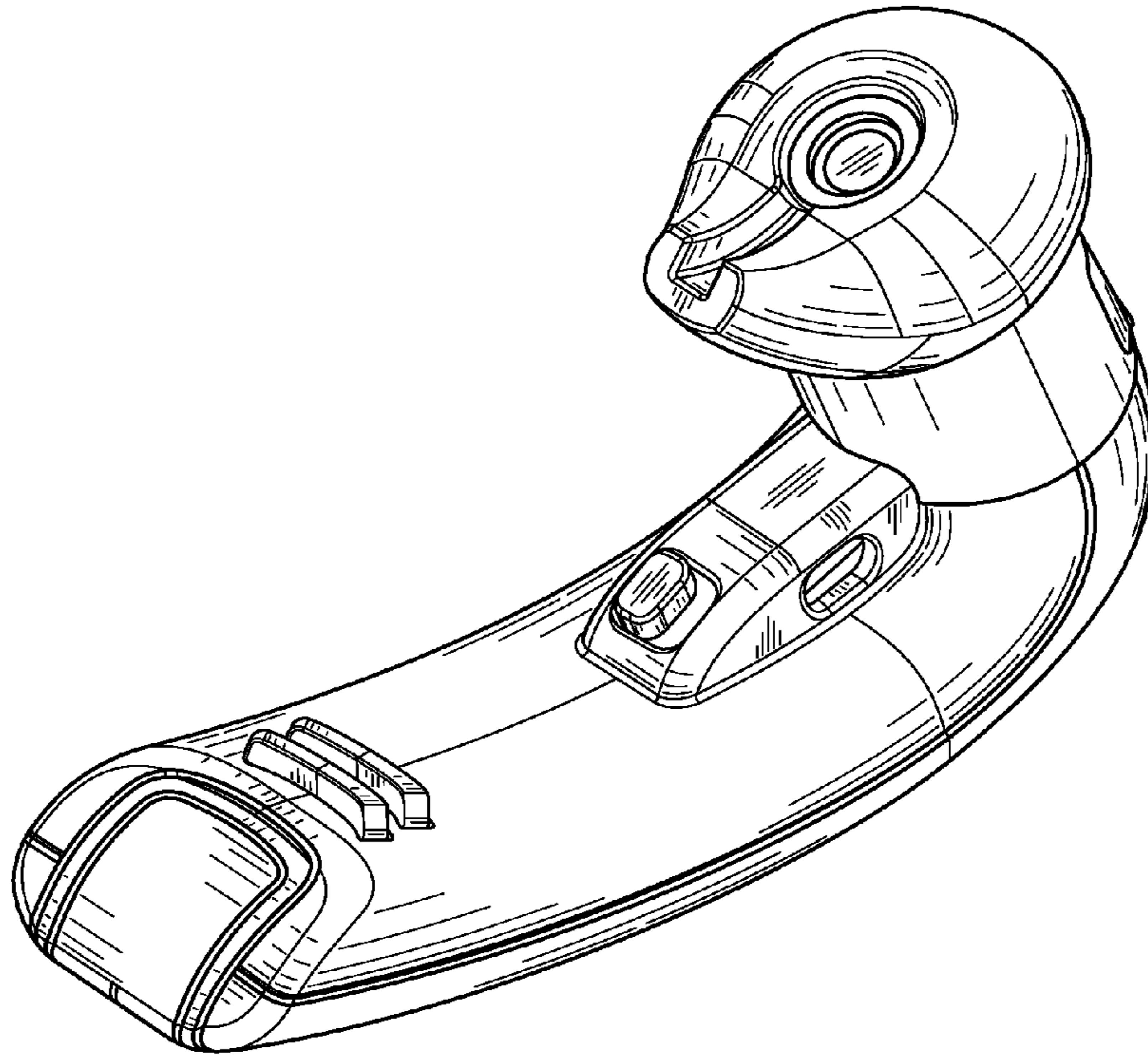


FIGURE 10

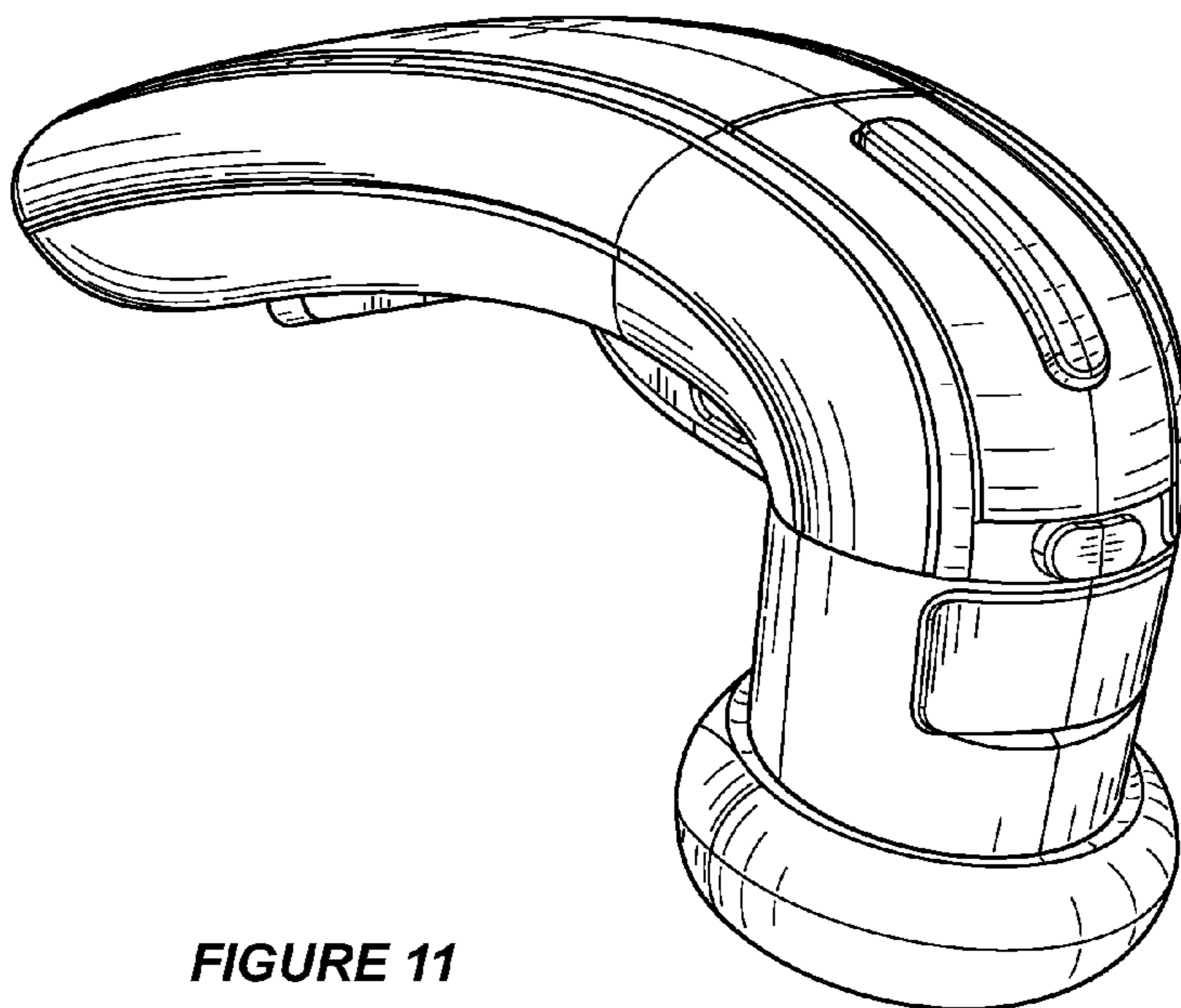


FIGURE 11