



US00D669883S

(12) **United States Design Patent**
Cheng

(10) **Patent No.:** **US D669,883 S**

(45) **Date of Patent:** **** Oct. 30, 2012**

(54) **SOUNDBAR**

(75) Inventor: **Jung-Ching Cheng**, New Taipei (TW)

(73) Assignee: **Cheng Uei Precision Industry Co., Ltd.**, New Taipei (TW)

(**) Term: **14 Years**

(21) Appl. No.: **29/394,344**

(22) Filed: **Jun. 15, 2011**

(51) **LOC (9) Cl.** **14-01**

(52) **U.S. Cl.** **D14/214**

(58) **Field of Classification Search** D14/204,
D14/209–216, 219, 220; 181/143, 144, 147,
181/148, 150, 151, 198, 199, 153; 381/330–302,
381/306, 333, 345, 361–364, 386–388, 332,
381/336

See application file for complete search history.

(56) **References Cited**

U.S. PATENT DOCUMENTS

D250,711	S	*	1/1979	Persson et al.	D14/214
4,582,162	A	*	4/1986	Katsuno	181/141
4,942,939	A	*	7/1990	Harrison	181/156
5,802,190	A	*	9/1998	Ferren	381/182
6,144,752	A	*	11/2000	Chen	381/386

D472,542	S	*	4/2003	Oikawa	D14/172
D494,565	S	*	8/2004	Yao	D14/215
D535,976	S	*	1/2007	Ng et al.	D14/214
D537,071	S	*	2/2007	Chen	D14/215
D578,109	S	*	10/2008	Han	D14/215
D629,388	S	*	12/2010	Son et al.	D14/214
D653,239	S	*	1/2012	Kim et al.	D14/215

* cited by examiner

Primary Examiner — Prabhakar Deshmukh

(74) *Attorney, Agent, or Firm* — Cheng-Ju Chiang

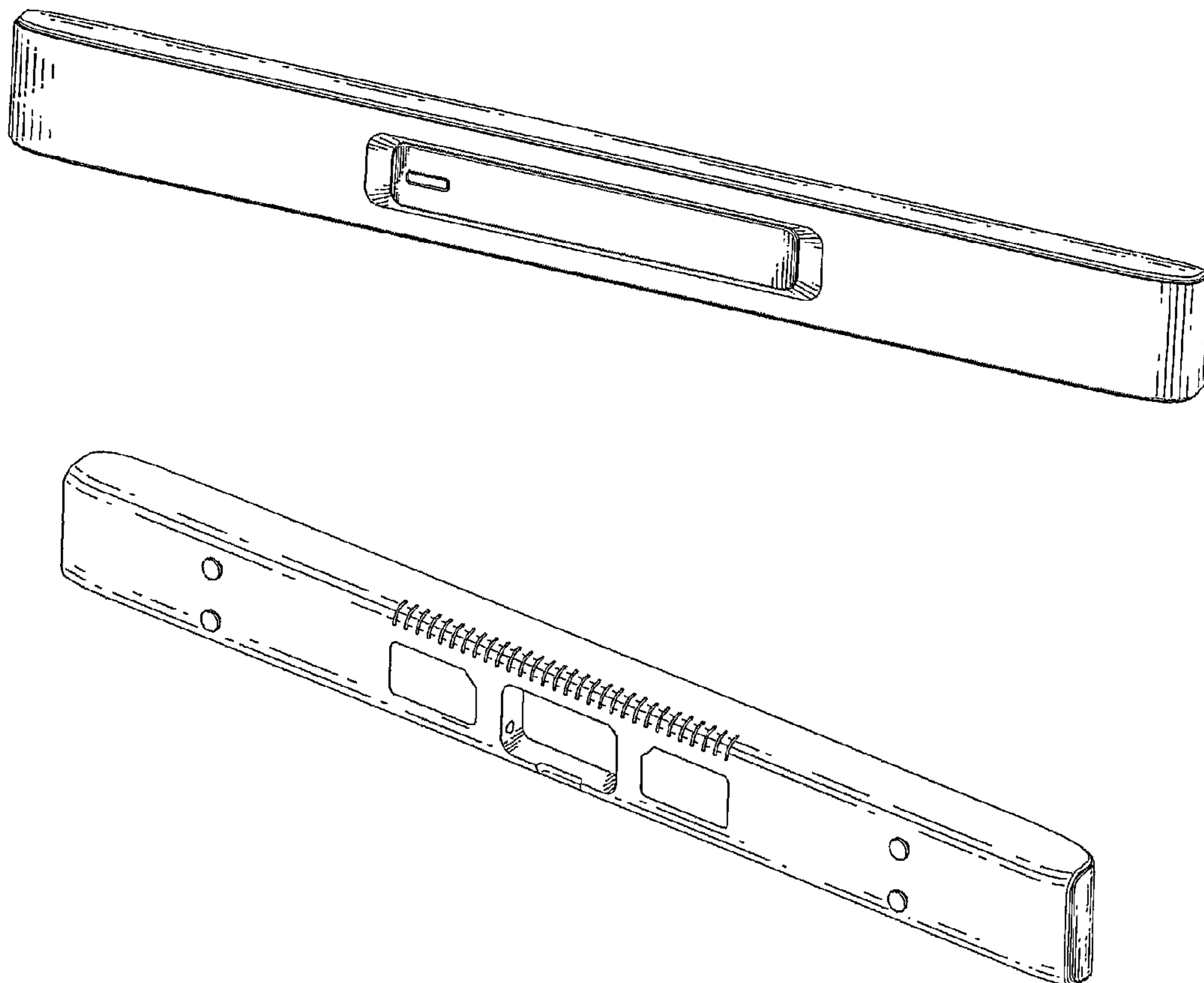
(57) **CLAIM**

The ornamental design for a soundbar, as shown and described.

DESCRIPTION

FIG. 1 is a perspective view of a soundbar showing my new design;
FIG. 2 is a front elevational view thereof;
FIG. 3 is a rear elevational view thereof;
FIG. 4 is a left side elevational view thereof;
FIG. 5 is a right side elevational view thereof;
FIG. 6 is a top plan view thereof;
FIG. 7 is a bottom plan view thereof; and,
FIG. 8 is another perspective view of the soundbar showing my new design.

1 Claim, 8 Drawing Sheets



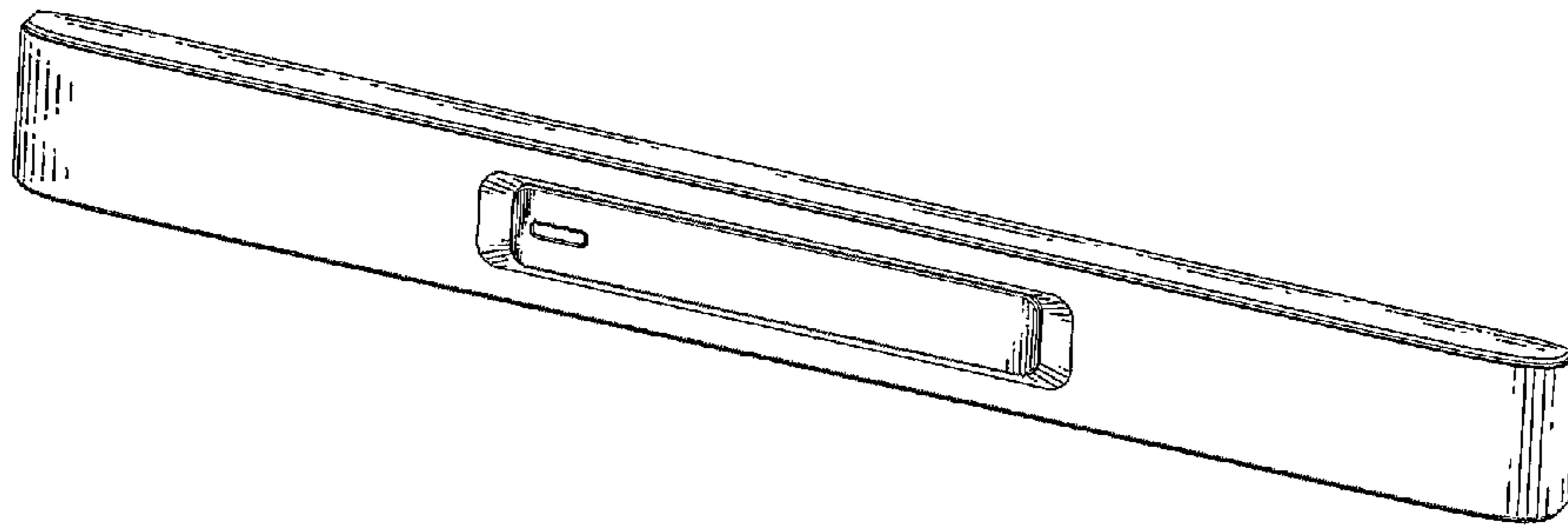


FIG. 1

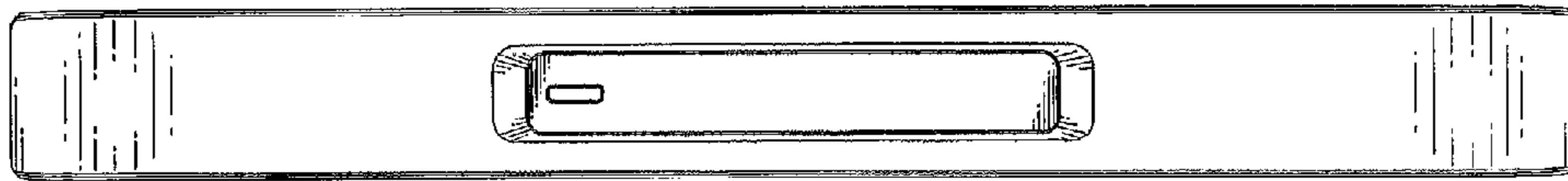


FIG. 2

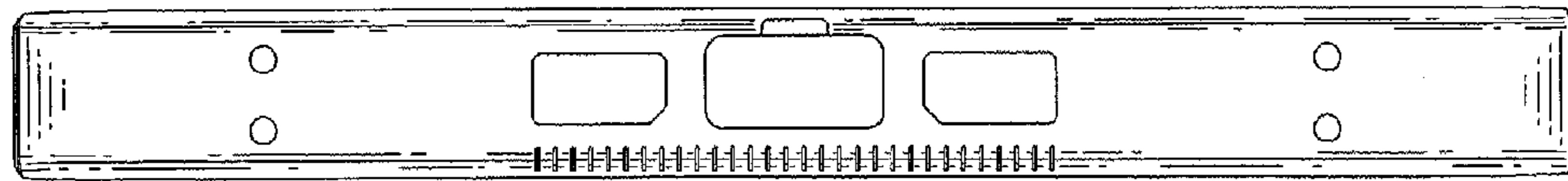


FIG. 3



FIG. 4

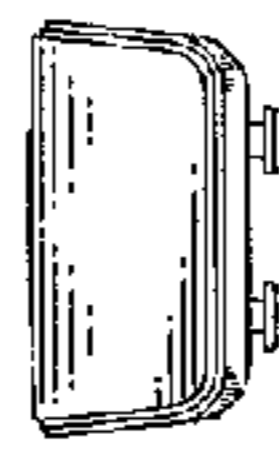


FIG. 5

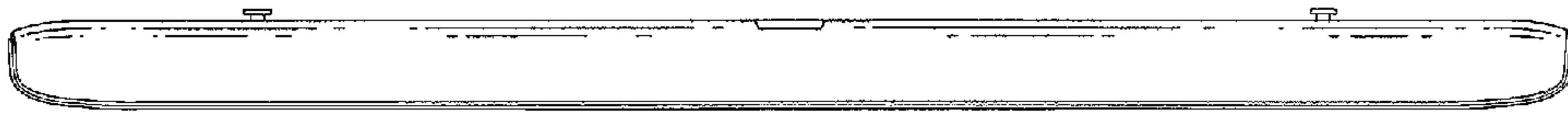


FIG. 6

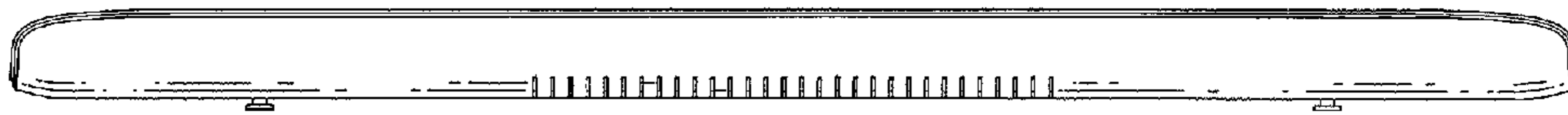


FIG. 7

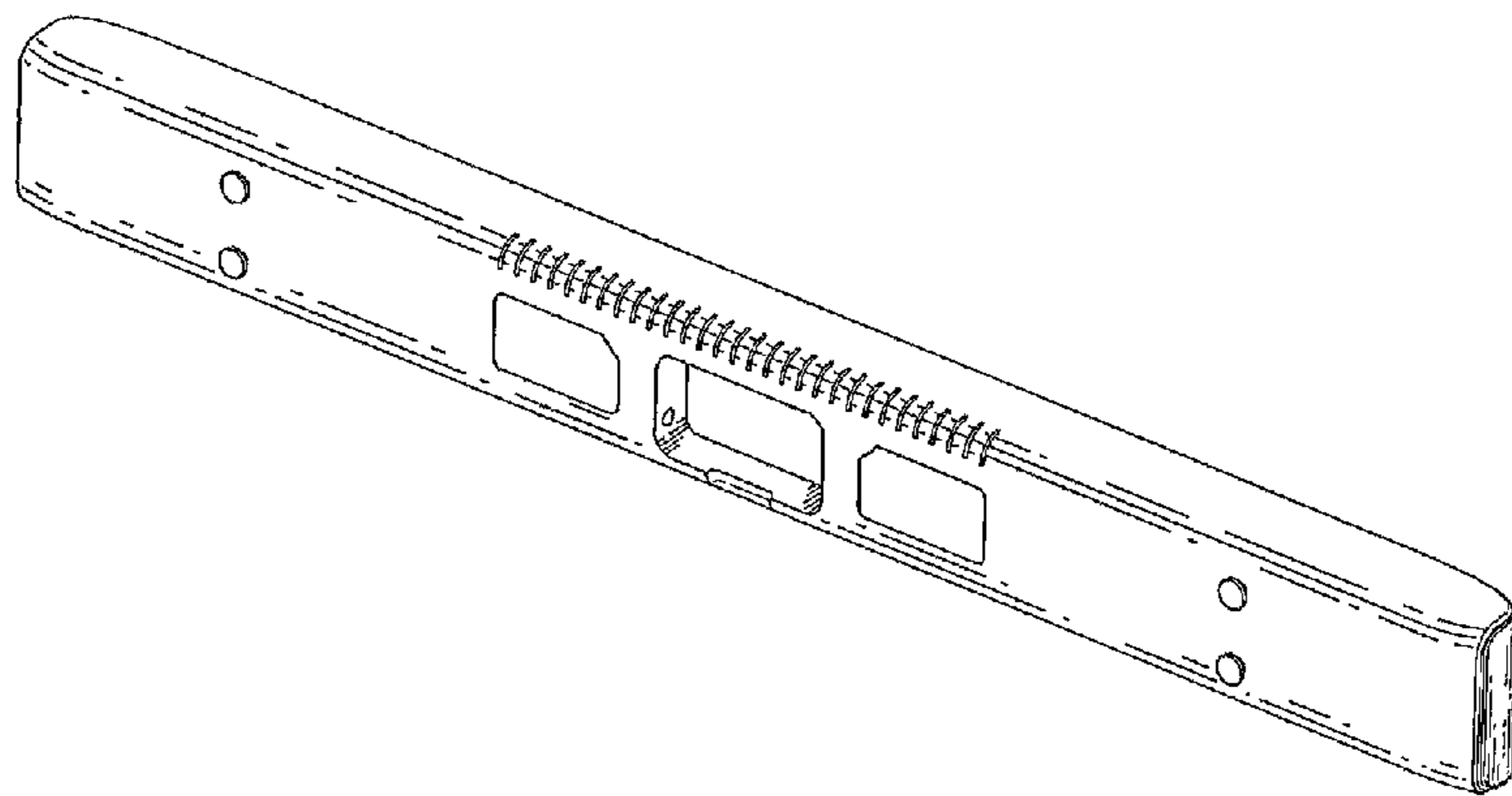


FIG. 8