



US00D669882S

(12) **United States Design Patent**
Prisciandaro

(10) **Patent No.:** **US D669,882 S**

(45) **Date of Patent:** **** Oct. 30, 2012**

(54) **MULTIPARTY EARBUDS**

(76) **Inventor:** **Anthony Damiano Prisciandaro,**
Orlando, FL (US)

(**) **Term:** **14 Years**

(21) **Appl. No.:** **29/401,244**

(22) **Filed:** **Sep. 9, 2011**

(51) **LOC (9) Cl.** **14-01**

(52) **U.S. Cl.** **D14/205**

(58) **Field of Classification Search** D14/205,
D14/206, 223, 168, 192, 203.5; 181/129,
181/130, 135; 379/430, 431; 381/380, 381;
455/90.3

See application file for complete search history.

(56) **References Cited**

U.S. PATENT DOCUMENTS

D278,234 S *	4/1985	Saito	D14/205
4,646,872 A *	3/1987	Kamon et al.	181/129
D469,753 S *	2/2003	Andre et al.	D14/205
D481,377 S *	10/2003	Eguchi	D14/223
D511,157 S *	11/2005	Johnson	D14/223
D526,642 S *	8/2006	Choe	D14/205
D587,677 S *	3/2009	Andre et al.	D14/205
D591,264 S *	4/2009	Hong et al.	D14/205
D599,778 S *	9/2009	Ando	D14/205
D636,756 S *	4/2011	Fahrendorff et al.	D14/205
D637,999 S *	5/2011	Brunner et al.	D14/205
D643,414 S *	8/2011	Lee et al.	D14/223

D648,316 S *	11/2011	Lee et al.	D14/205
D651,180 S *	12/2011	Lee et al.	D13/154
D652,407 S *	1/2012	Groset et al.	D14/205
D652,817 S *	1/2012	Lee et al.	D14/205
D653,235 S *	1/2012	McManigal	D14/205
D656,129 S *	3/2012	Kelly et al.	D14/223
D656,492 S *	3/2012	Huang	D14/223

* cited by examiner

Primary Examiner — Paula Greene

(74) *Attorney, Agent, or Firm* — H. John Rizvi; Glenn E. Gold; Gold & Rizvi, P.A.

(57) **CLAIM**

I claim the ornamental design for a multiparty earbuds, as shown and described.

DESCRIPTION

FIG. 1 is a perspective top view of multiparty earbuds showing my new design, the cord is drawn broken away for indeterminate length;

FIG. 2 is a front view thereof;

FIG. 3 is a rear view thereof;

FIG. 4 is a top view thereof;

FIG. 5 is a bottom view thereof;

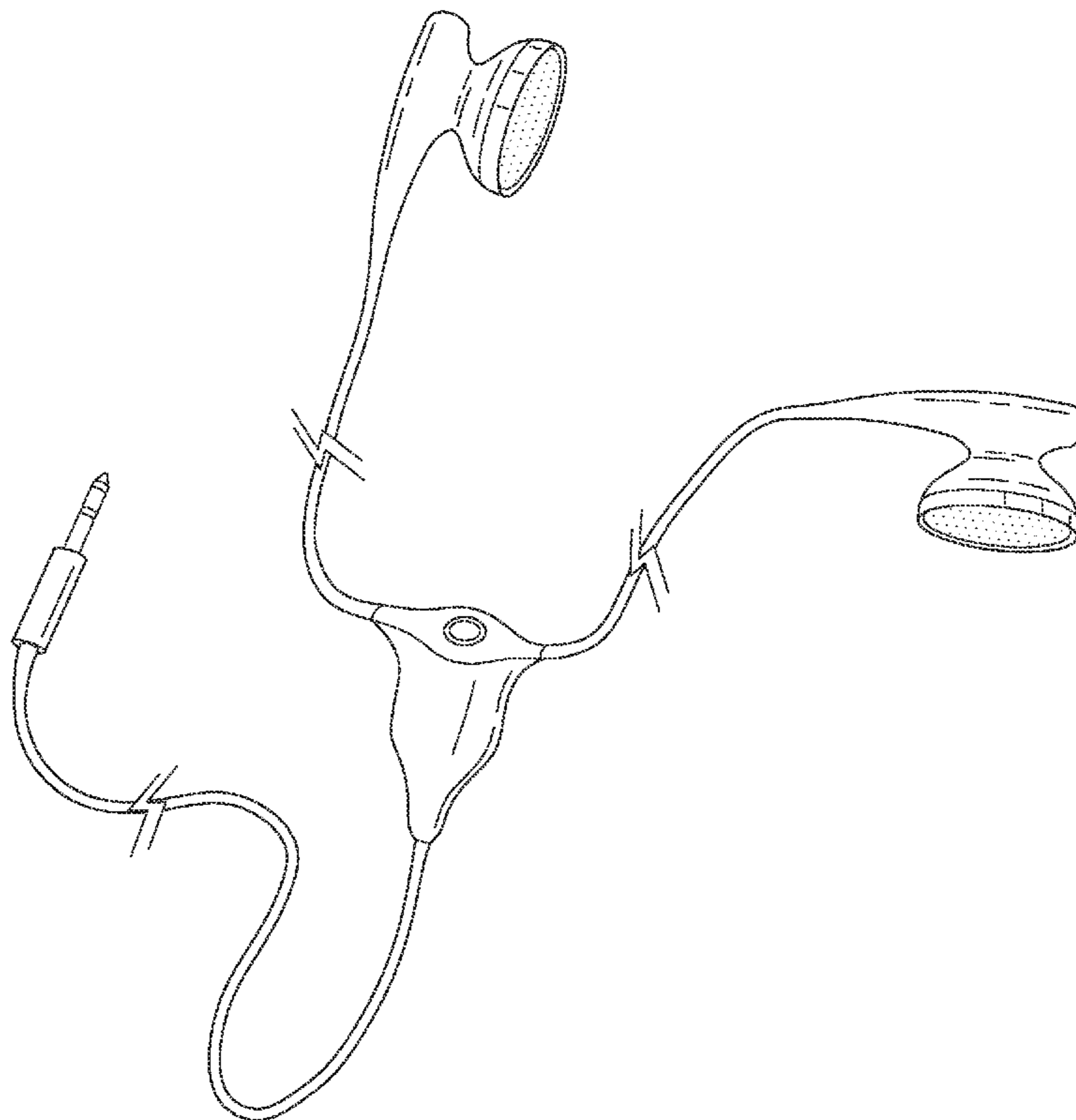
FIG. 6 is a left side view thereof;

FIG. 7 is a right side view thereof; and,

FIG. 8 is a perspective view illustrating an exemplary application of the multiparty earbuds.

The broken lines illustrating two users, an electronic music player, and an exemplary second listening device illustrated in FIG. 8 form no part of the claimed design.

1 Claim, 6 Drawing Sheets



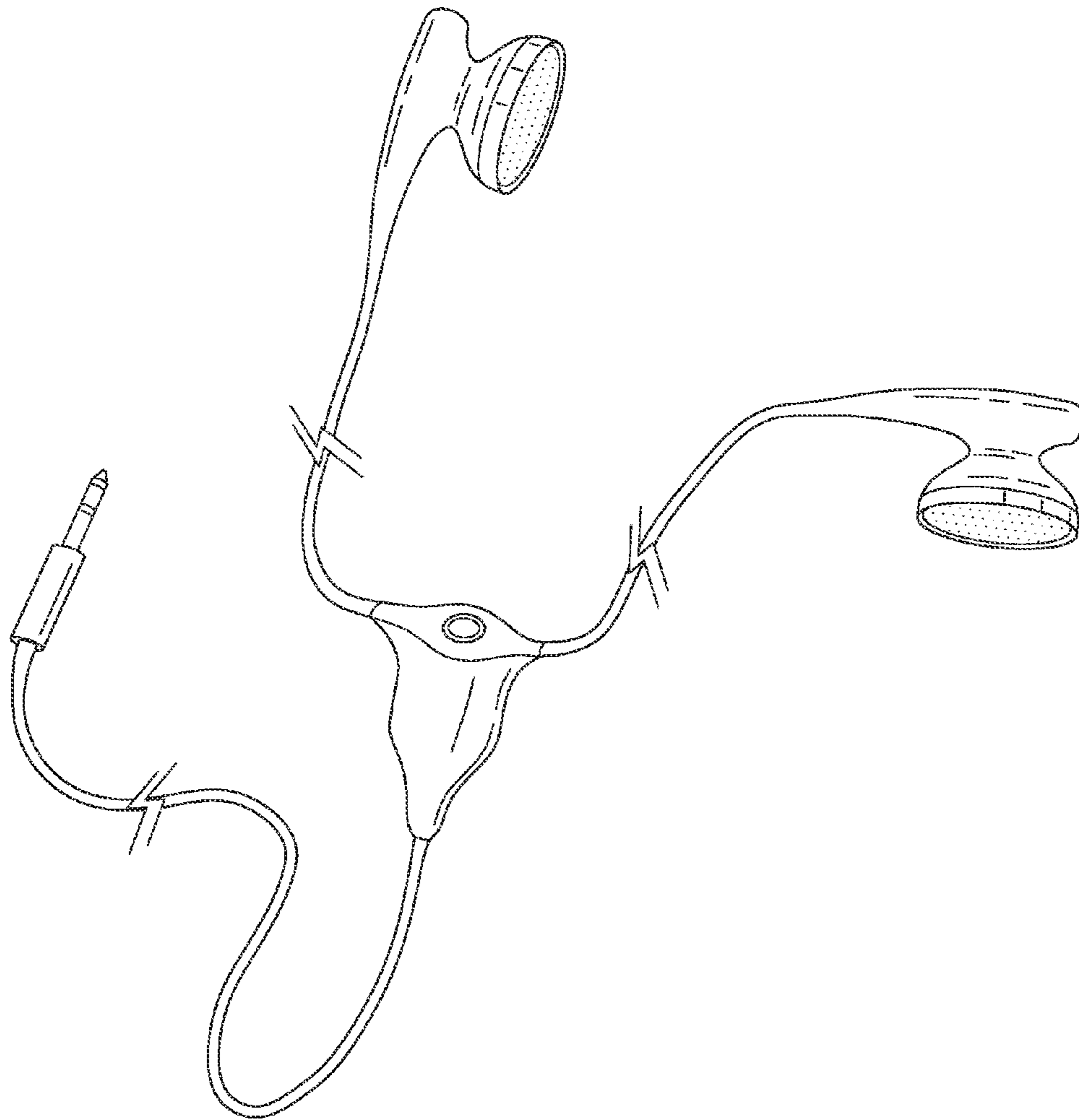


FIG. 1

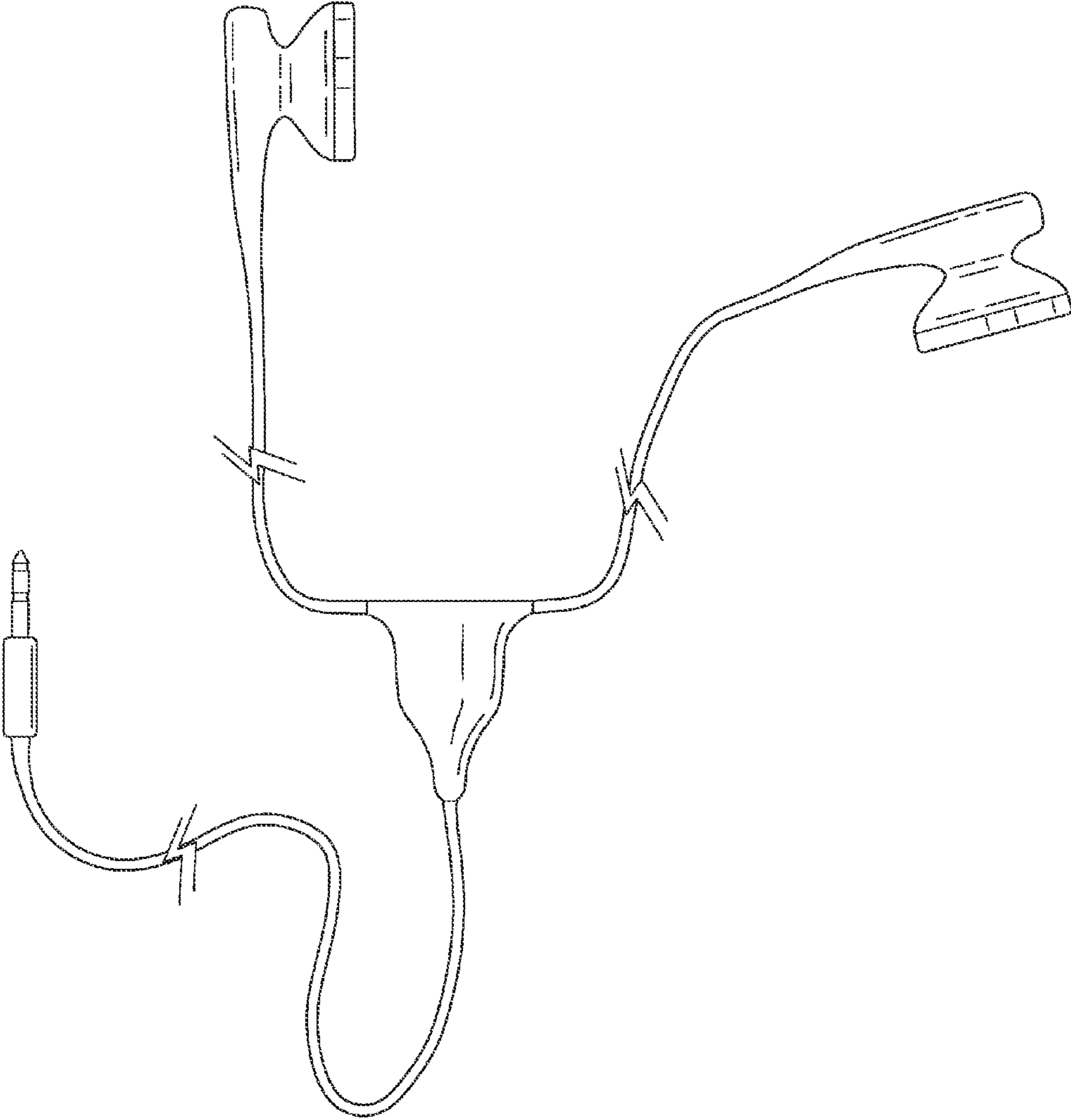


FIG. 2

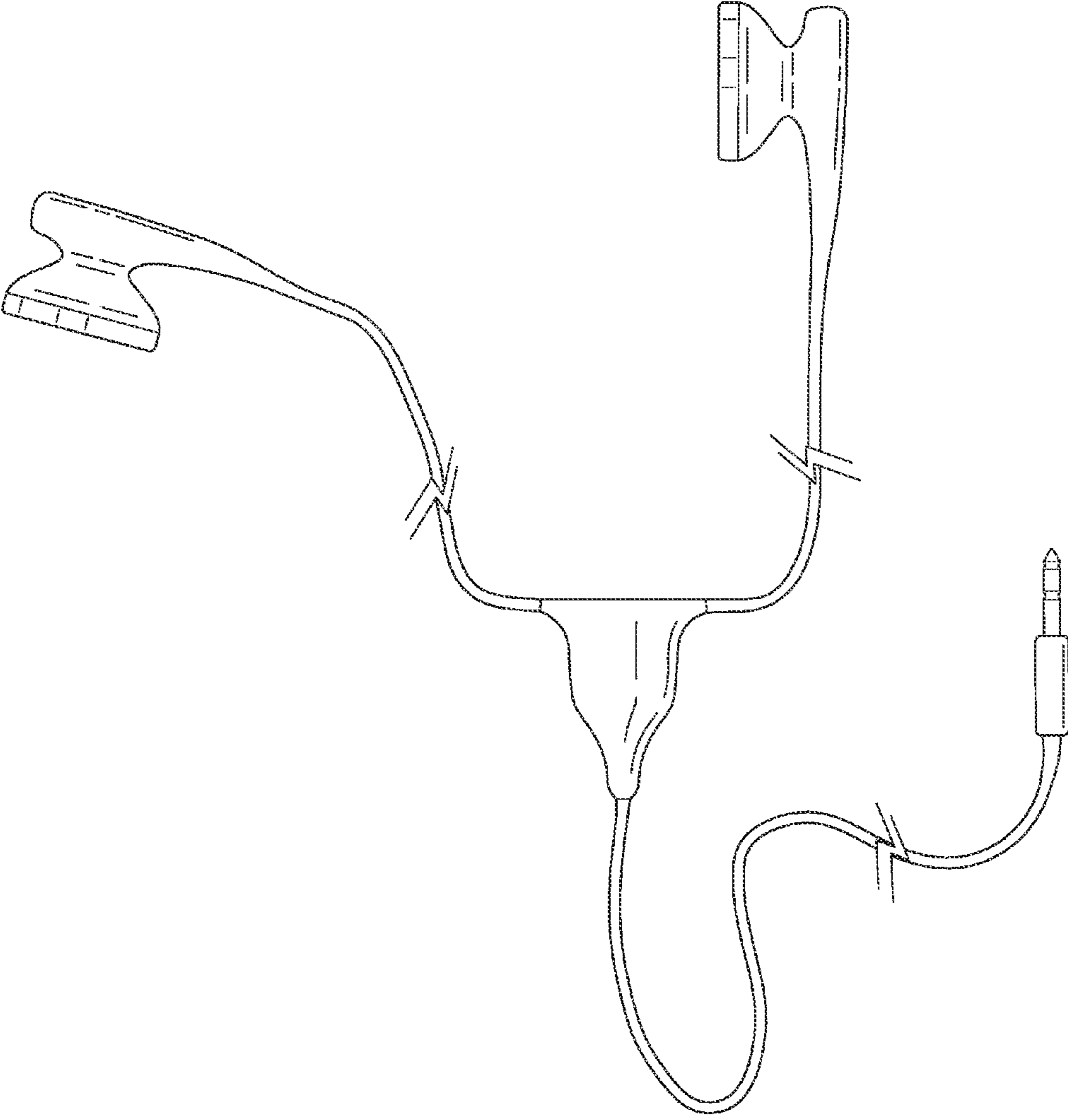


FIG. 3

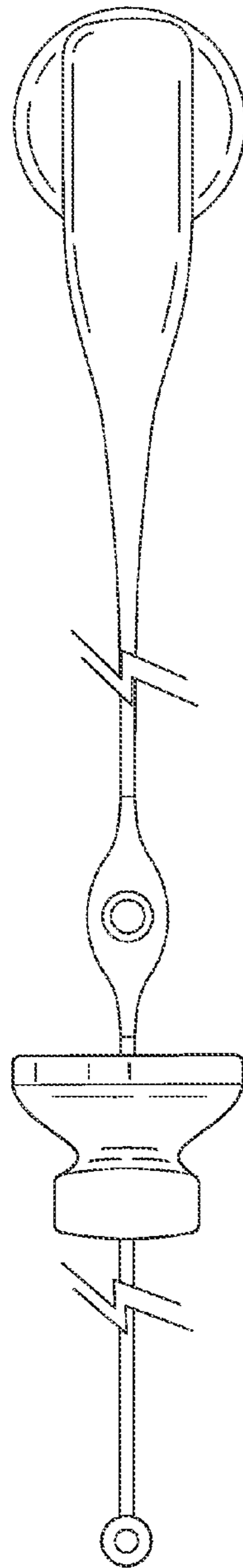


FIG. 4

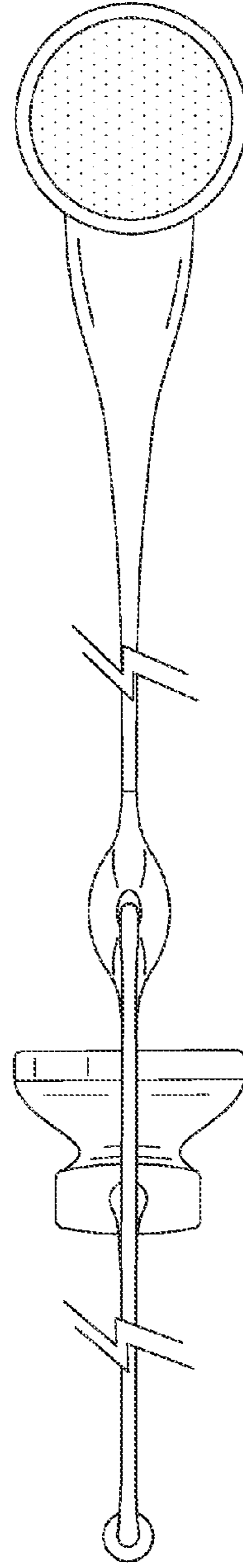


FIG. 5

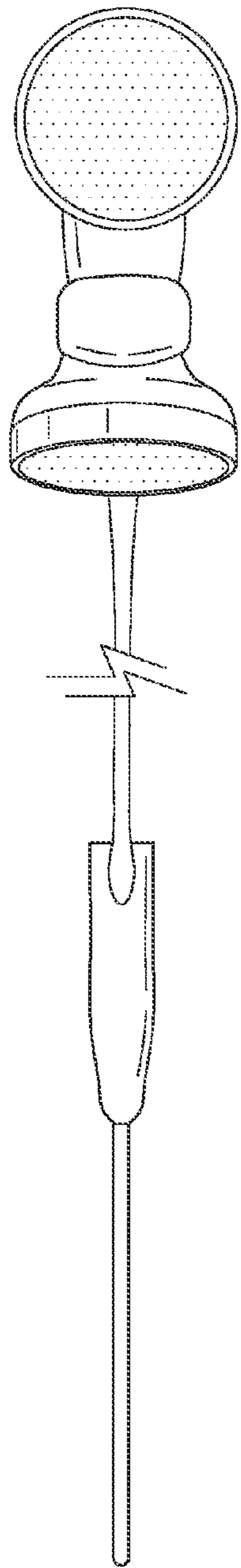


FIG. 6

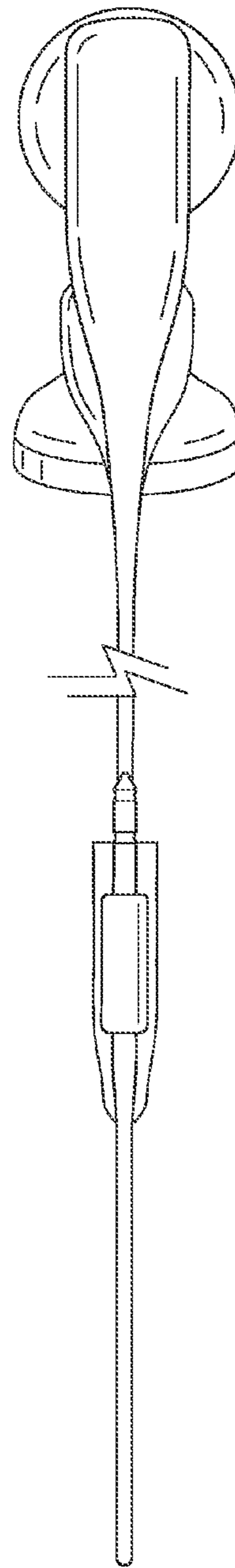


FIG. 7



FIG. 8