



US00D669877S

(12) **United States Design Patent**
Chung

(10) **Patent No.:** **US D669,877 S**
(45) **Date of Patent:** **** Oct. 30, 2012**

(54) **MOBILE DEVICE**

(75) Inventor: **Pil-ho Chung**, San Diego, CA (US)

(73) Assignee: **KYOCERA Corporation**, Kyoto (JP)

(**) Term: **14 Years**

(21) Appl. No.: **29/407,407**

(22) Filed: **Nov. 29, 2011**

(51) **LOC (9) Cl.** **14-03**

(52) **U.S. Cl.** **D14/138 AD**

(58) **Field of Classification Search** D14/138 AD,
D14/138 G, 138 R, 138 AC, 138 C, 496,
D14/341, 345, 346, 203.7, 203.1, 203.3, 203.4,
D14/248; 455/575.1, 556.2, 556.1, 575.4,
455/575.3; D10/65, 78, 104

See application file for complete search history.

(56) **References Cited**

U.S. PATENT DOCUMENTS

7,283,697	B1 *	10/2007	Morikuni et al.	385/14
D580,393	S *	11/2008	Kim et al.	D14/138 AD
D589,920	S *	4/2009	Choi et al.	D14/138 AD
D593,984	S *	6/2009	Hirano	D14/138 AD
D598,447	S *	8/2009	Hamada et al.	D14/345
D600,243	S *	9/2009	Miyaji et al.	D14/346
D603,824	S *	11/2009	Kim et al.	D14/138 AD
D606,539	S *	12/2009	Liao et al.	D14/346
D607,429	S *	1/2010	Lim et al.	D14/138 G
D625,699	S *	10/2010	Huang et al.	D14/138 G
D633,467	S *	3/2011	Park et al.	D14/138 AD
D635,113	S *	3/2011	Park et al.	D14/138 G
D640,662	S *	6/2011	Hwang	D14/138 AD
D641,332	S *	7/2011	Sadatsuki et al.	D14/138 AD
7,990,696	B2 *	8/2011	Zhou et al.	361/679.3
D645,437	S *	9/2011	Tzeng	D14/138 AD
D646,661	S *	10/2011	Kim	D14/138 AD
D648,300	S *	11/2011	Park et al.	D14/138 G
D650,766	S *	12/2011	Hong	D14/138 G
D652,005	S *	1/2012	Koh	D14/138 AD
D654,038	S *	2/2012	Song et al.	D14/138 AD

OTHER PUBLICATIONS

LG Fathom VS750 telephone, announced May 2010, [online], [site visited May 16, 2012]. Available from Internet, <URL: http://www.gsmarena.com/ig_fathom_vs750-3356.php>.*

Dell Venue Pro telephone, announced Oct. 2010, [online], [site visited May 16, 2012]. Available from Internet, <URL: http://www.gsmarena.com/dell_venue_pro-3280.php>.*

HTC EVO Shift 4G telephone, announced Jan. 2011, [online], [site visited May 16, 2012]. Available from Internet, <URL: http://www.gsmarena.com/htc_evo_shift_4g-3702.php>.*

* cited by examiner

Primary Examiner — Jeffrey D Asch

(57) **CLAIM**

The ornamental design for a mobile device, as shown and described above.

DESCRIPTION

FIG. 1 is a front view of a mobile device in accordance with the present invention;

FIG. 2 is a left-side view thereof;

FIG. 3 is a top view thereof;

FIG. 4 is a bottom view thereof;

FIG. 5 is a right-side view thereof;

FIG. 6 is a rear view of a mobile device in accordance with the present invention of FIG. 1;

FIG. 7 is rear view of the mobile device in accordance with the present invention of FIG. 1 in an open position;

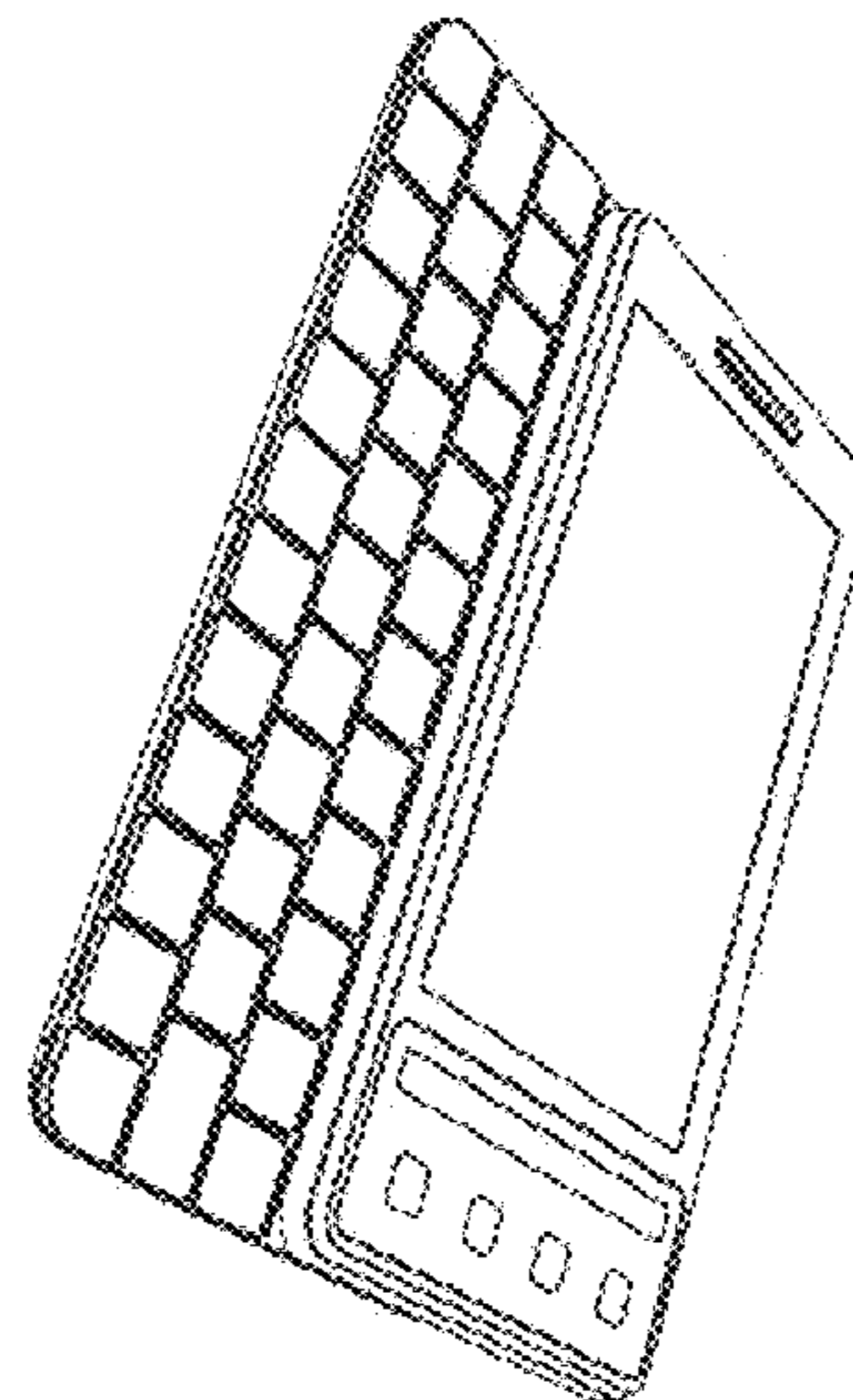
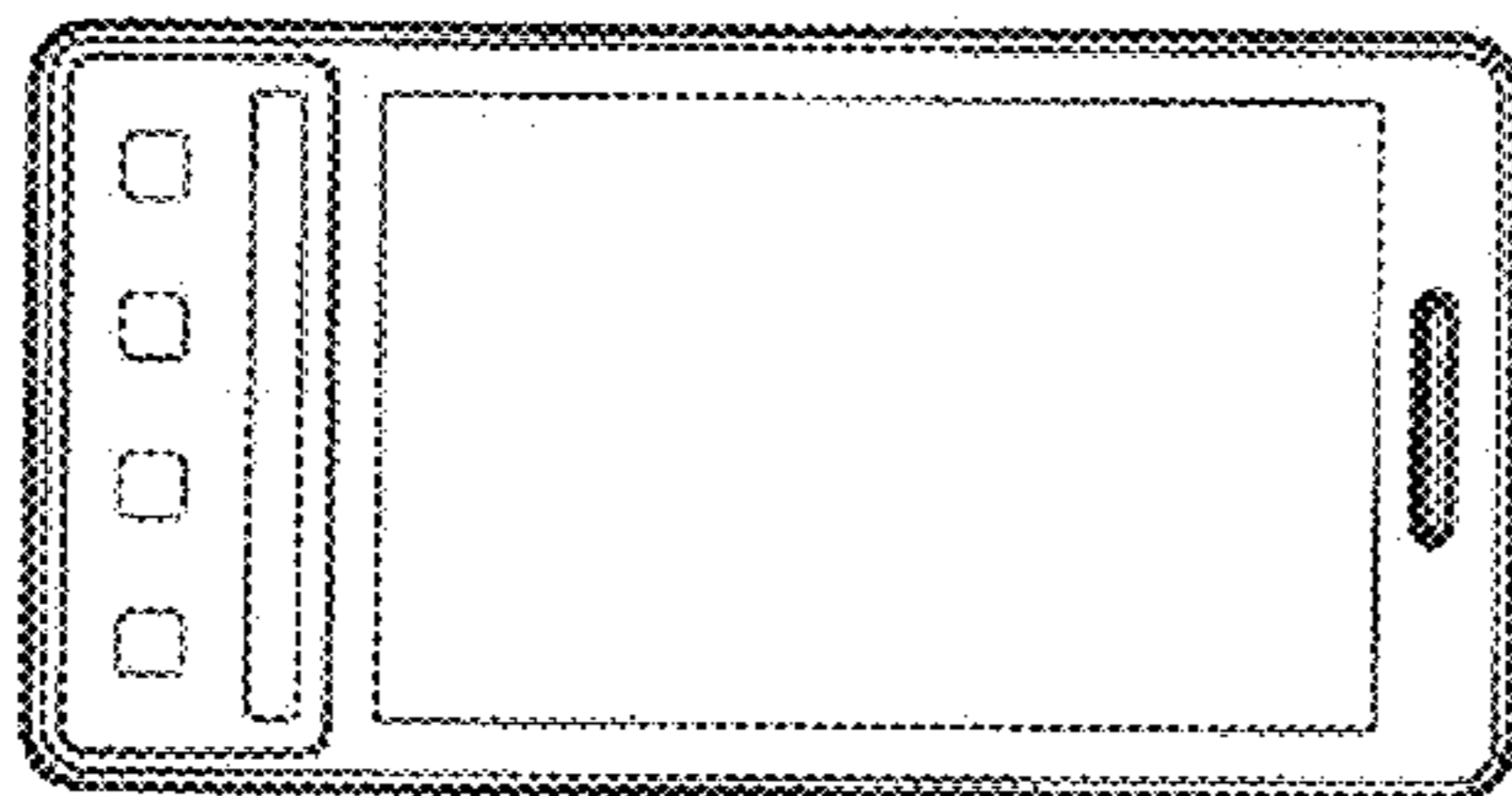
FIG. 8 is a back-side perspective view of the mobile device of FIG. 1;

FIG. 9 is a front-side perspective view of the mobile device of FIG. 1;

FIG. 10 is a back-side perspective view of the mobile device in accordance with the present invention of FIG. 1 in an open position; and,

FIG. 11 is a front perspective view of the mobile device in accordance with the present invention of FIG. 1 in an open position.

1 Claim, 2 Drawing Sheets



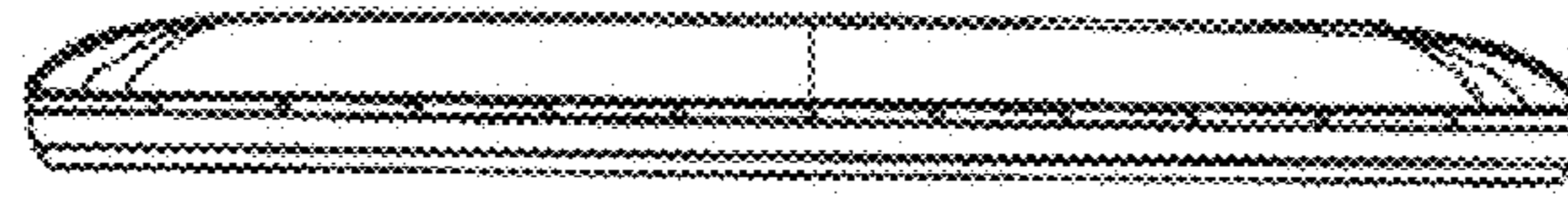


FIG. 2

FIG. 3



FIG. 1

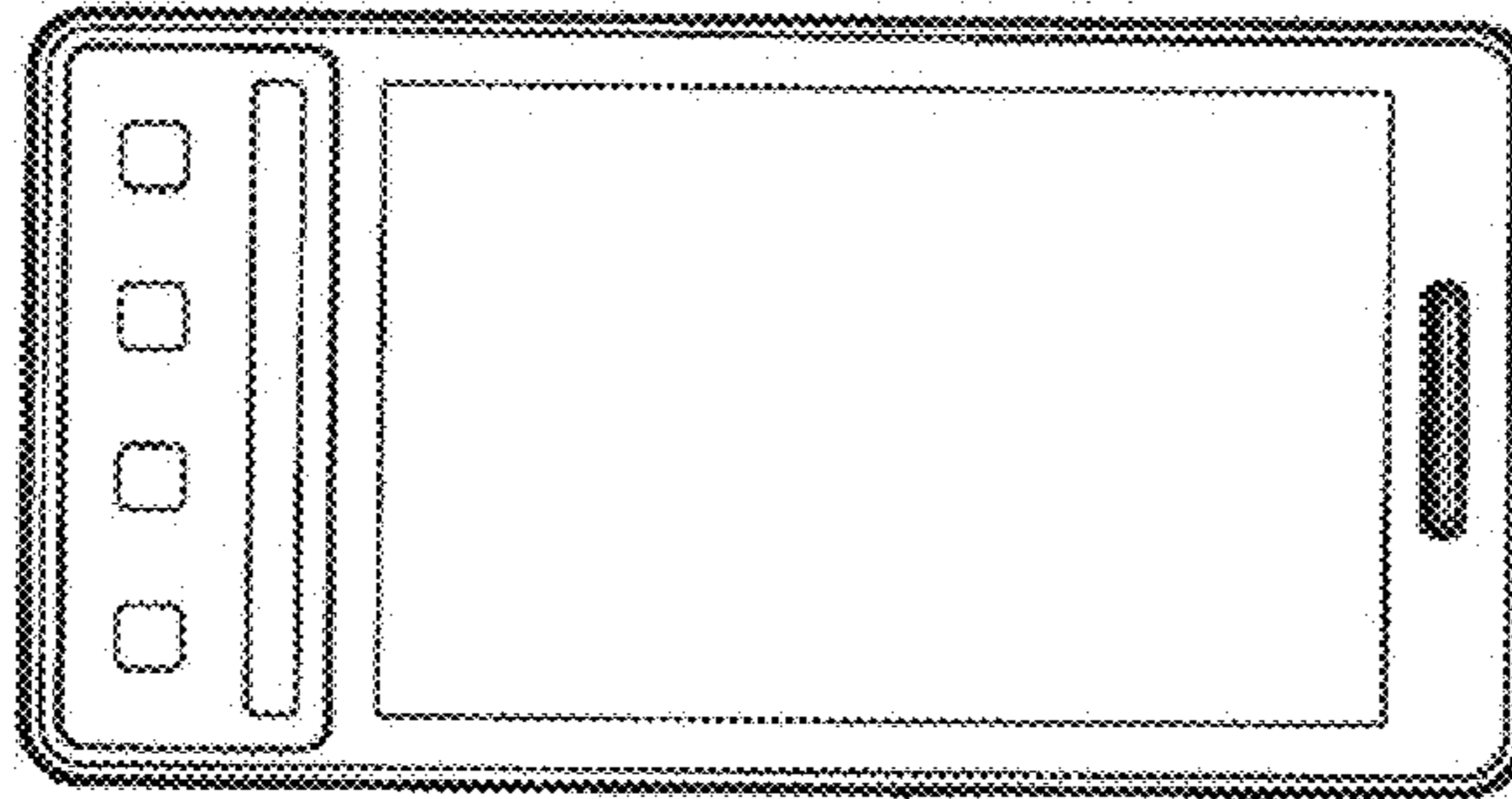


FIG. 4



FIG. 5

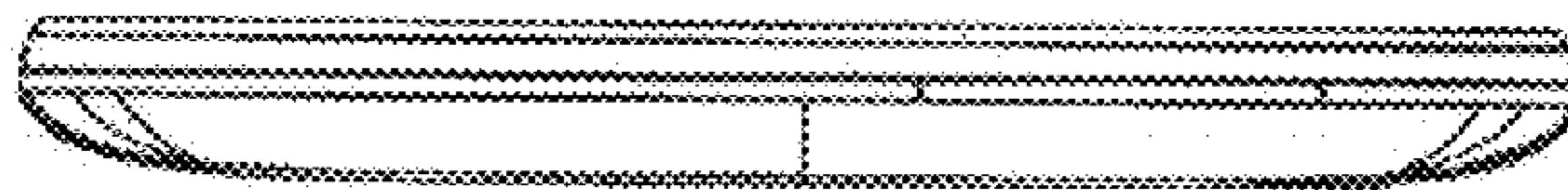


FIG. 6

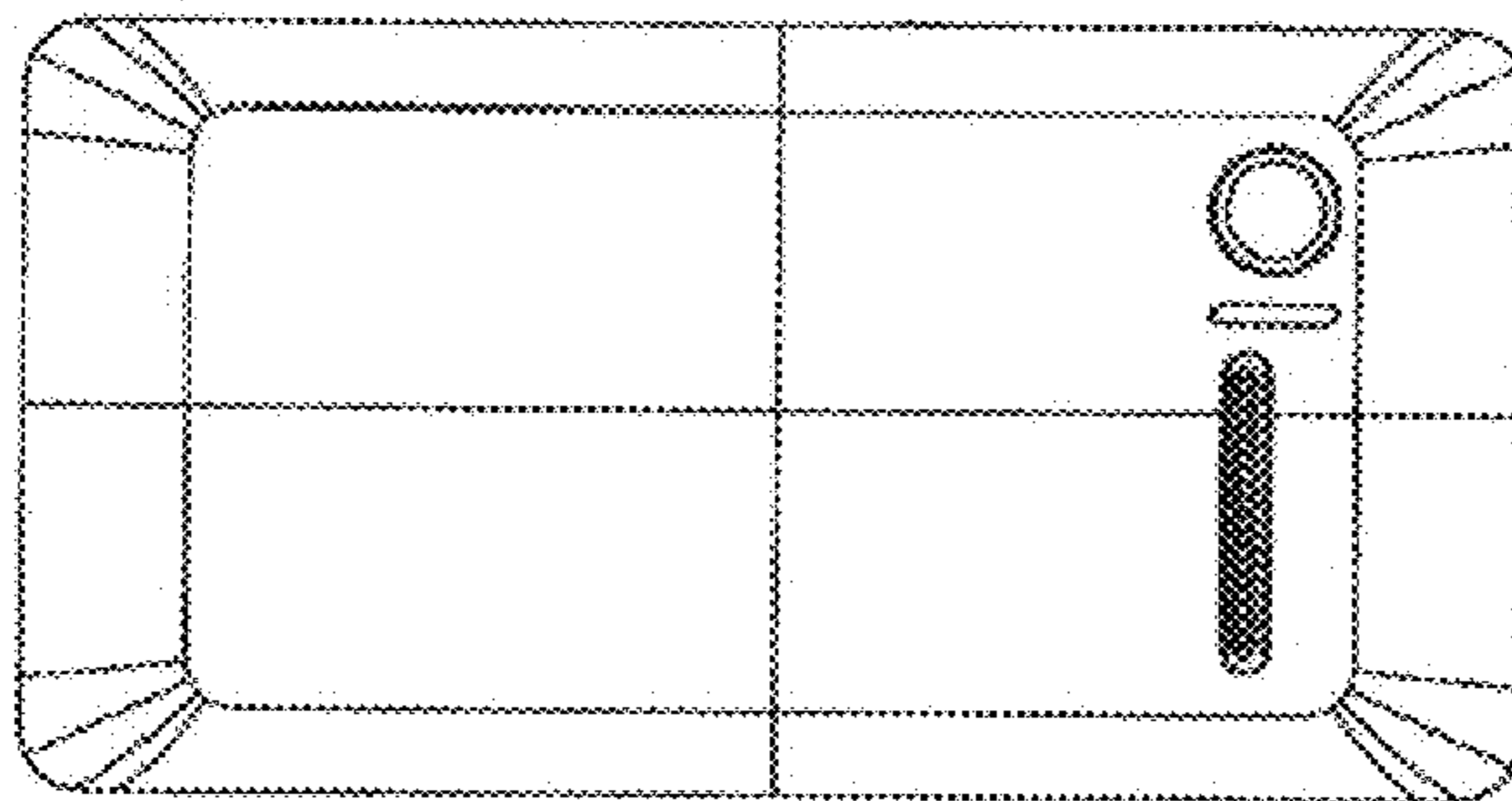


FIG. 7

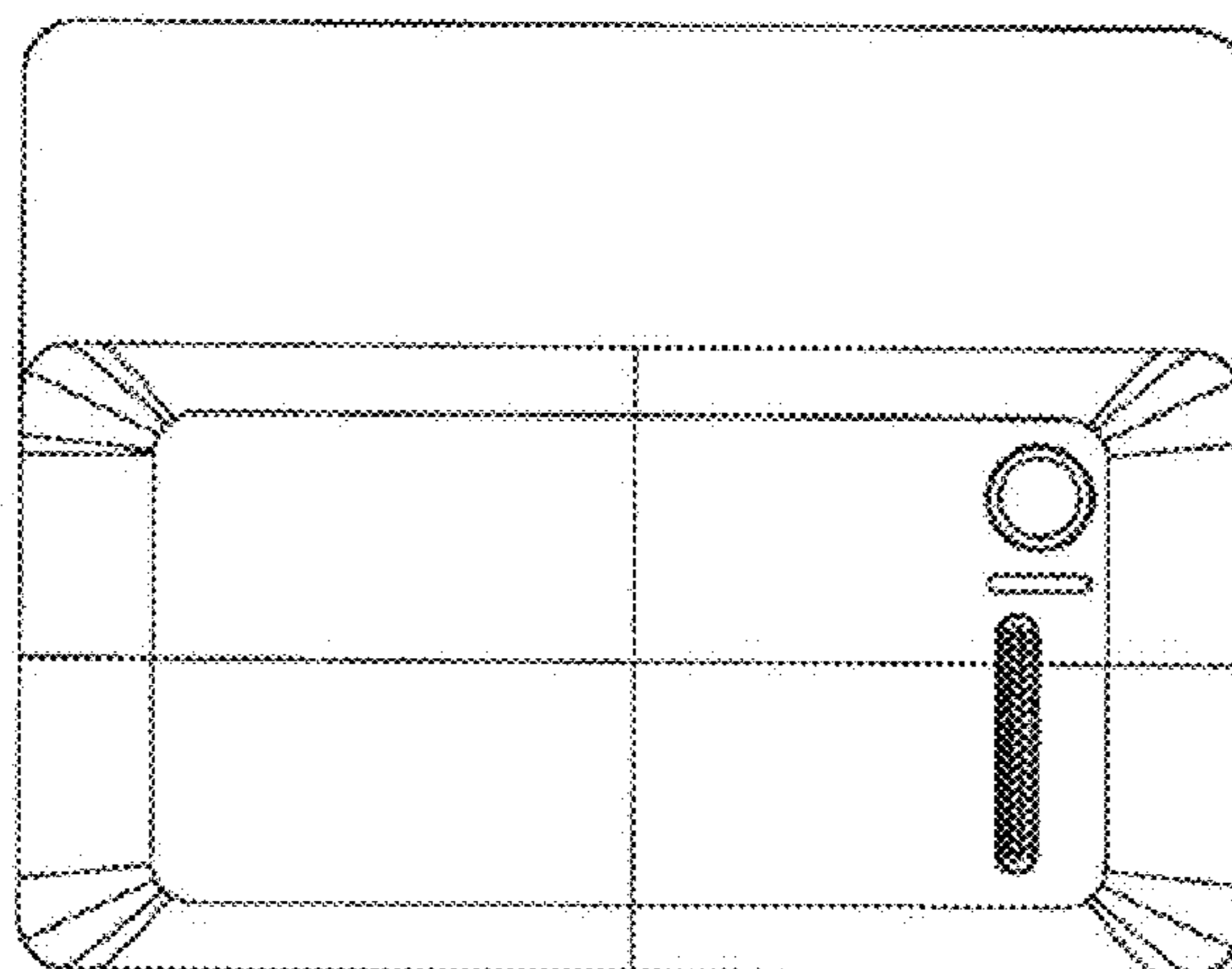


FIG. 8

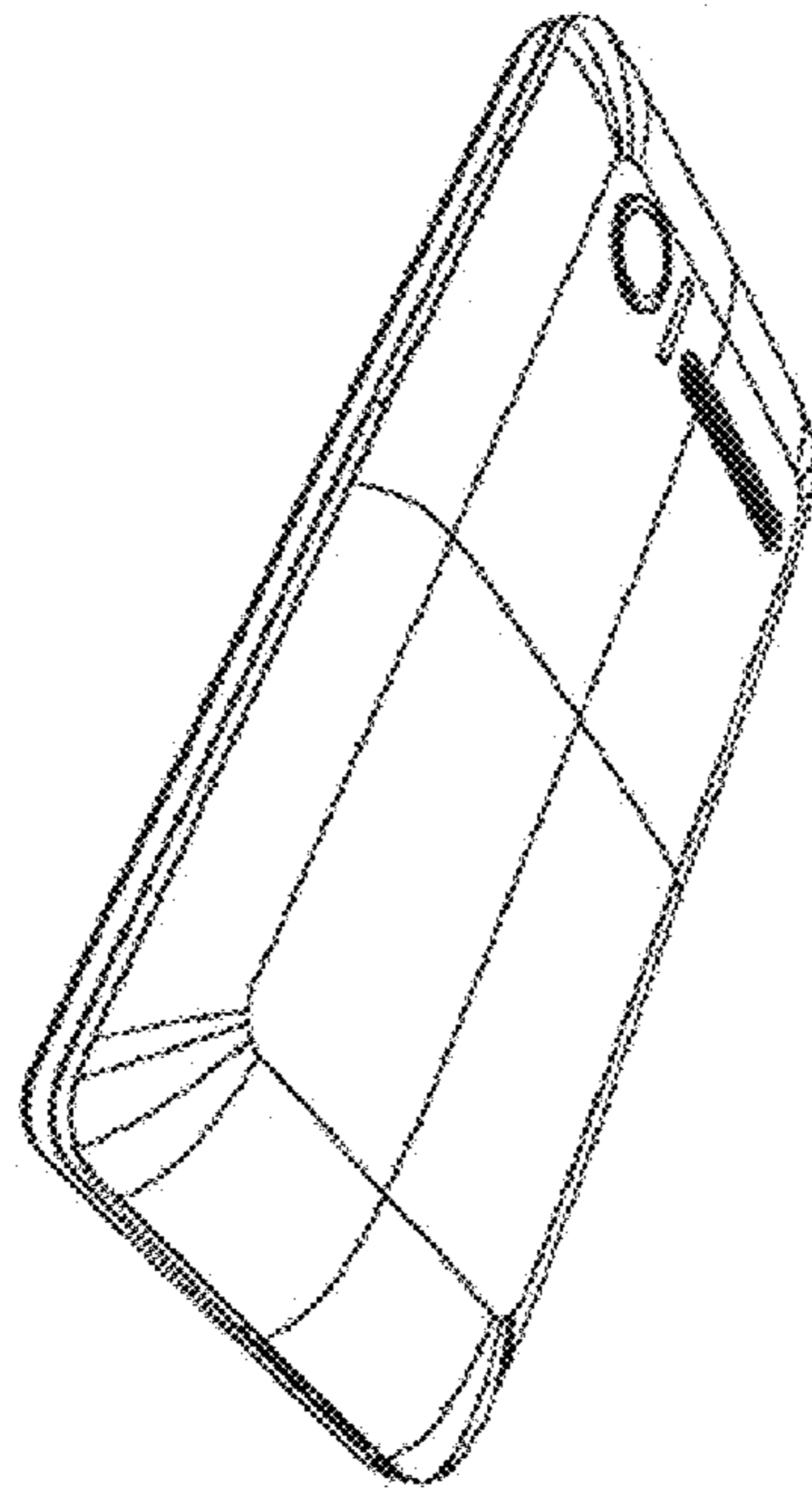


FIG. 9

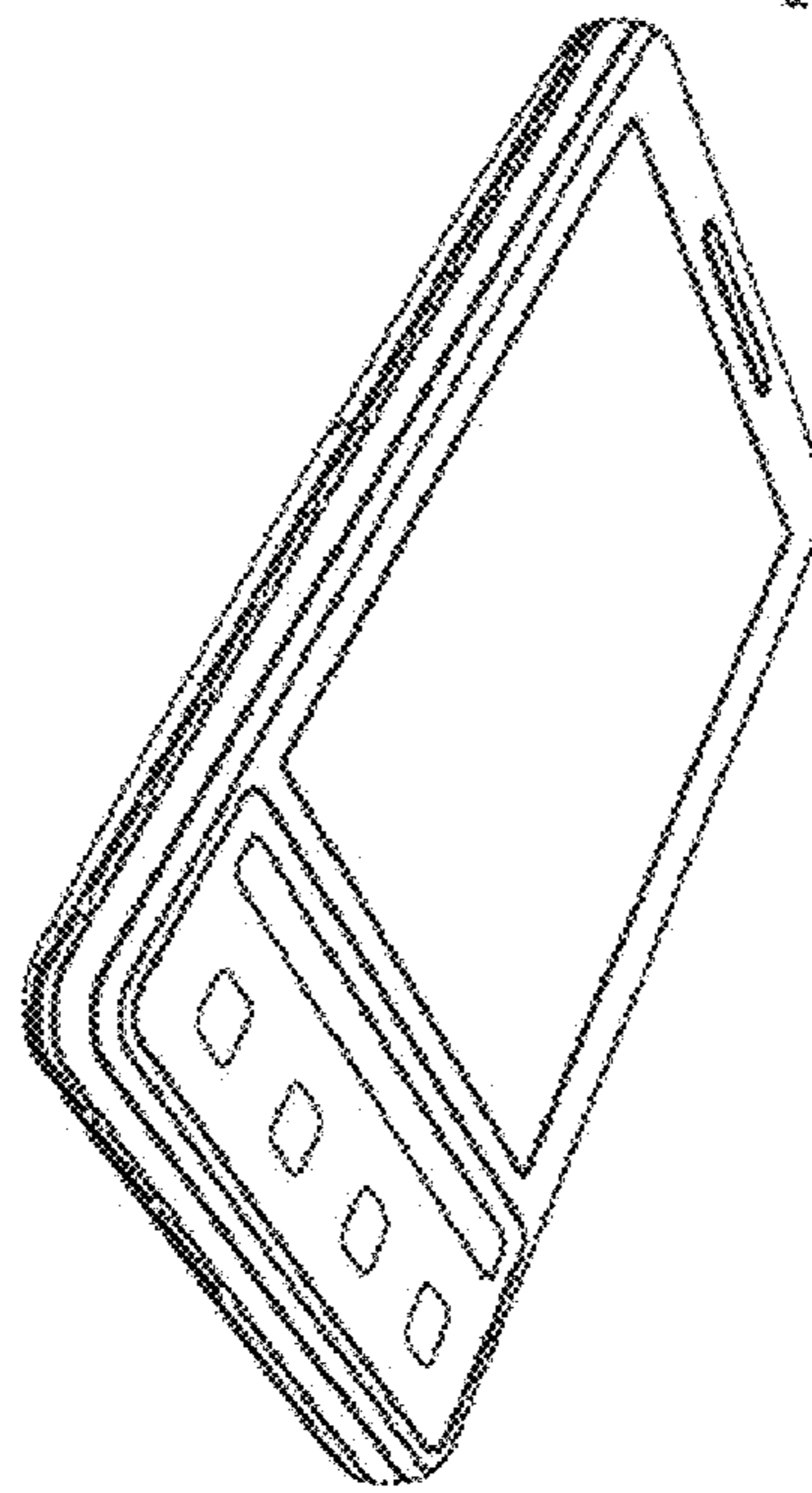


FIG. 10

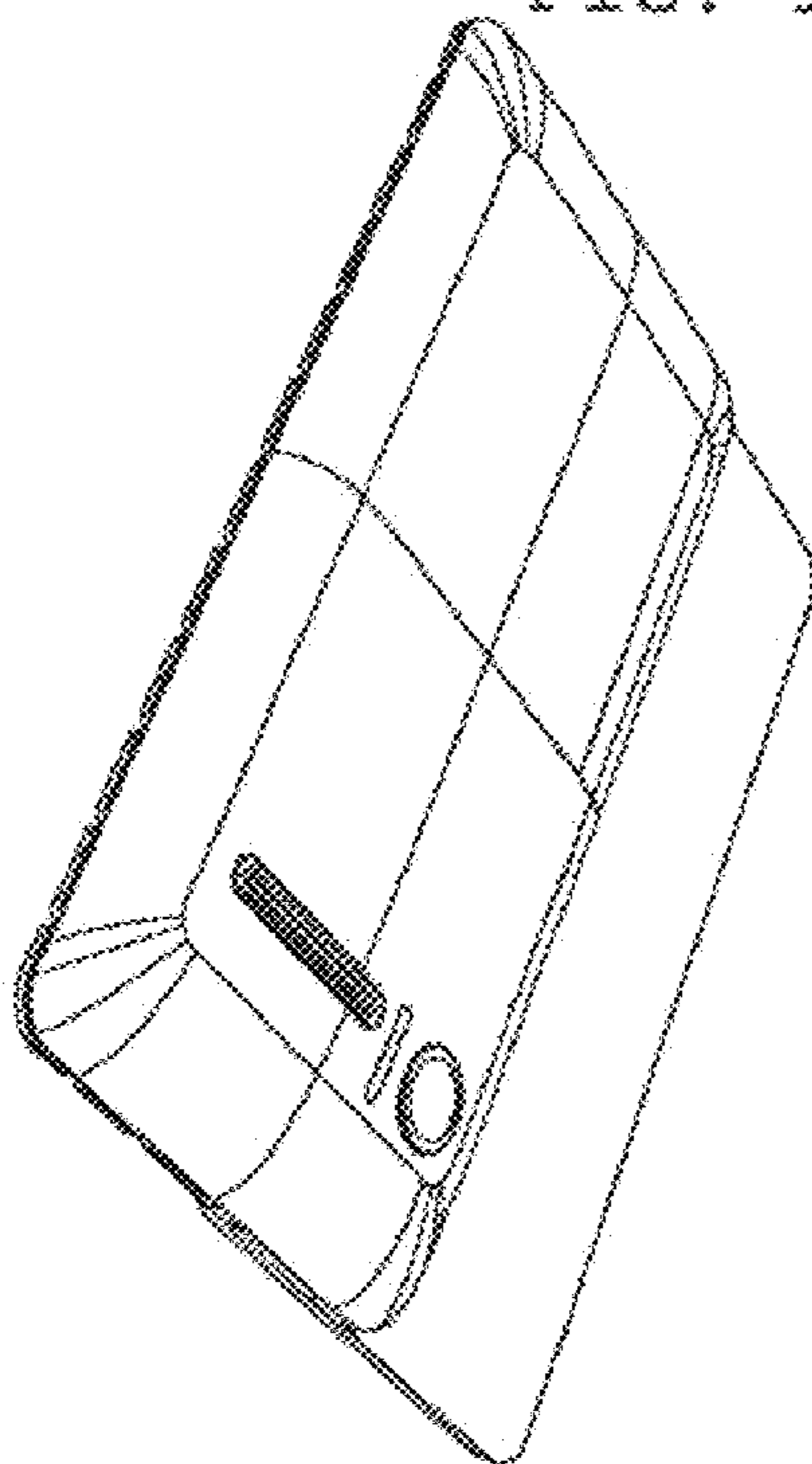


FIG. 11

