



US00D669874S

(12) **United States Design Patent**  
**Margis et al.**

(10) **Patent No.:** **US D669,874 S**  
(45) **Date of Patent:** **\*\* Oct. 30, 2012**

(54) **INTEGRATED SEATBACK DISPLAY SYSTEM**

(56)

**References Cited**

(75) Inventors: **Paul Anthony Margis**, Irvine, CA (US);  
**Mehdi Izadyar**, Trabuco Canyon, CA  
(US); **Marshal H. Perlman**, Portola  
Hills, CA (US); **Taku Yamada**, Irvine,  
CA (US); **Omar Lopez**, Corona, CA  
(US); **Craig Allan Depner**, Trabuco  
Canyon, CA (US); **Sheng Tong**, Costa  
Mesa, CA (US)

U.S. PATENT DOCUMENTS

3,037,812 A	6/1962	Monroe	
D250,071 S	10/1978	Dickerson	
4,647,980 A	3/1987	Stevenson et al.	
5,555,466 A	9/1996	Scribner et al.	
5,610,822 A	3/1997	Murphy	
5,808,660 A	9/1998	Sekine et al.	
6,058,288 A	5/2000	Reed et al.	
6,177,887 B1	1/2001	Jerome	
D467,561 S *	12/2002	Kosciolek .....	D14/451
6,702,604 B1	3/2004	Moscovitch	
6,899,390 B2	5/2005	Sanford et al.	

(Continued)

(73) Assignee: **Panasonic Avionics Corporation**, Lake  
Forest, CA (US)

FOREIGN PATENT DOCUMENTS

(\*\*) Term: **14 Years**

EP 1 078 852 A2 2/2001

(Continued)

(21) Appl. No.: **29/420,473**

OTHER PUBLICATIONS

(22) Filed: **May 9, 2012**

Kirby, M., "Run Way Girl, Thales is Getting Slim Too," <http://www.flightglobal.com/blogs/runway-girl/2010/04/airbus-a350-drives-innovation.html>, Apr. 12, 2010.

**Related U.S. Application Data**

*Primary Examiner* — Raphael Barkai

(62) Division of application No. 29/376,168, filed on Oct.  
1, 2010.

(74) *Attorney, Agent, or Firm* — Orrick, Herrington &  
Sutcliffe LLP

(51) **LOC (9) Cl.** ..... **14-03**

(52) **U.S. Cl.** ..... **D14/129**

(58) **Field of Classification Search** ..... D14/125-134,  
D14/239, 371, 136, 374-377, 440, 450, 448,  
D14/336, 342; 312/7.2; 348/836, 838, 180,  
348/184, 325, 739; 341/12; 248/917-924,  
248/465; 345/104, 133, 156, 168, 87, 173;  
720/605, 669, 600, 655; 369/99, 197; 455/344,  
455/347; D21/329, 515, 577, 622, 333, 433,  
D21/448, 452, 450, 331; D6/477, 479, 300;  
273/148 B; 446/484, 175, 356; D10/15,  
D10/26

(57) **CLAIM**

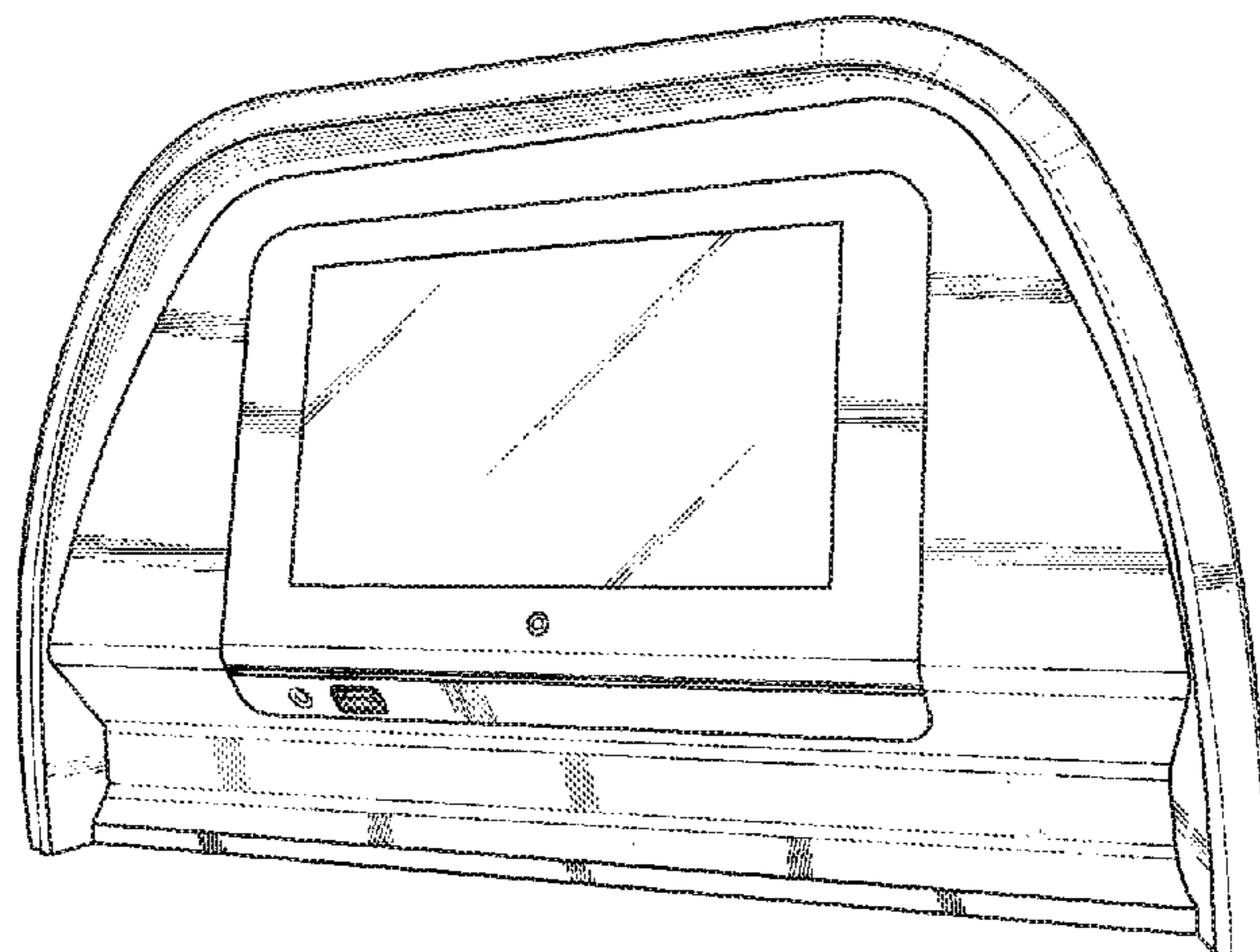
The ornamental design for an integrated seatback display  
system, as shown and described.

**DESCRIPTION**

FIG. 1 illustrates an integrated display system installed within  
a seatback portion of a selected seat, wherein the integrated  
display system includes a touchscreen video system; and,  
FIG. 2 is detail drawing illustrating a tilt angle formed  
between the video system and the seatback portion of the  
selected seat each of FIG. 1.

See application file for complete search history.

**1 Claim, 2 Drawing Sheets**



# US D669,874 S

Page 2

## U.S. PATENT DOCUMENTS

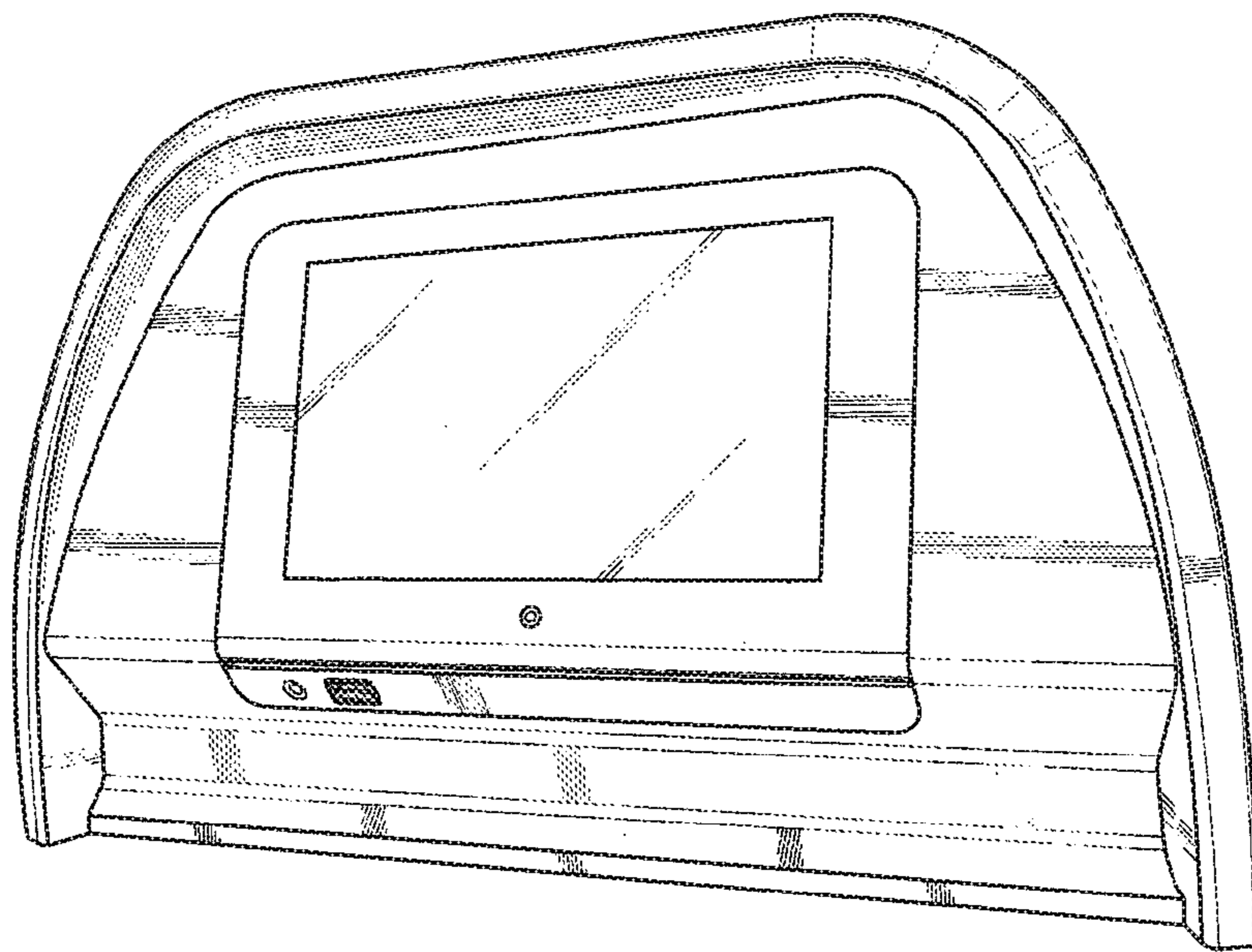
6,929,218 B1 8/2005 Sanford et al.  
7,036,889 B2 5/2006 Sanford et al.  
7,111,904 B2\* 9/2006 Dowty et al. .... 297/313  
7,124,426 B1 10/2006 Tsuria et al.  
7,252,340 B2\* 8/2007 Johnson ..... 297/452.29  
D564,991 S \* 3/2008 Vitito ..... D14/126  
D571,746 S \* 6/2008 Suzuki ..... D14/126  
D577,503 S 9/2008 Priestman  
D594,431 S \* 6/2009 Vitito ..... D14/129  
D622,240 S \* 8/2010 Liu et al. .... D14/126  
D635,108 S \* 3/2011 Hughes et al. .... D14/129  
D637,984 S \* 5/2011 Willard ..... D14/129  
2002/0045484 A1 4/2002 Eck et al.  
2003/0111888 A1\* 6/2003 Brennan ..... 297/316  
2004/0077308 A1 4/2004 Sanford et al.  
2004/0227861 A1\* 11/2004 Schedivy ..... 348/837

2005/0021602 A1 1/2005 Noel et al.  
2005/0132407 A1 6/2005 Boyer, Jr. et al.  
2005/0278754 A1 12/2005 Bleacher et al.  
2006/0107295 A1 5/2006 Margis et al.  
2006/0175882 A1\* 8/2006 Schweizer ..... 297/217.3  
2007/0018494 A1\* 1/2007 Gutosky, Jr. .... 297/423.1  
2008/0023600 A1 1/2008 Perlman  
2009/0077595 A1 3/2009 Sizelove et al.  
2009/0079705 A1 3/2009 Sizelove et al.  
2009/0119721 A1 5/2009 Perlman et al.  
2010/0162326 A1 6/2010 Bonar

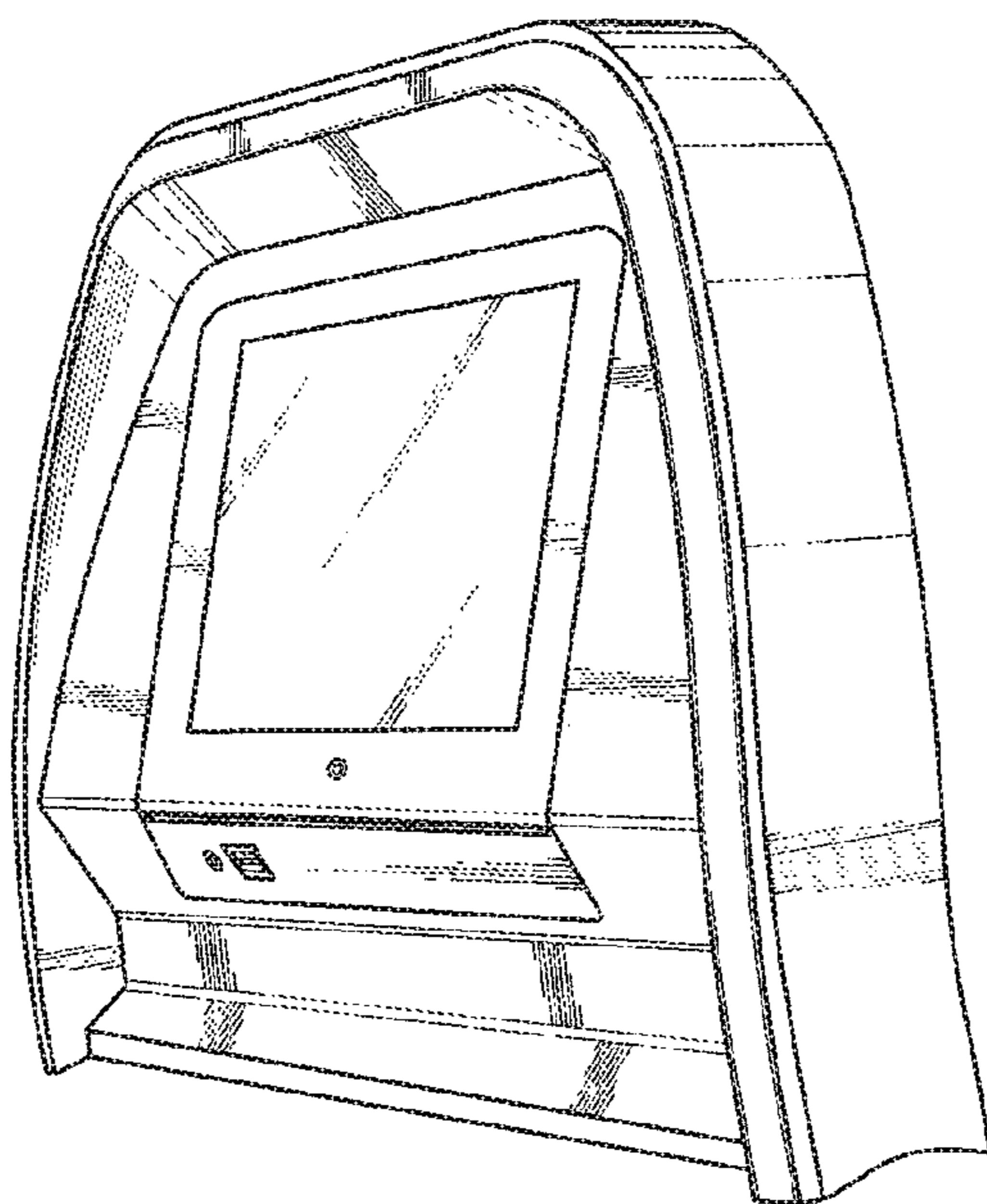
## FOREIGN PATENT DOCUMENTS

WO WO 99/14655 A1 3/1999  
WO WO 03/05000 A1 6/2003  
WO WO 2006/052941 A1 5/2006

\* cited by examiner



*FIG. 1*



*FIG. 2*