

US00D669873S

(12) **United States Design Patent**
Margis et al.

(10) **Patent No.:** **US D669,873 S**
(45) **Date of Patent:** **** Oct. 30, 2012**

(54) **INTEGRATED SEATBACK DISPLAY SYSTEM**

(75) Inventors: **Paul Anthony Margis**, Irvine, CA (US);
Mehdi Izadyar, Trabuco Canyon, CA
(US); **Marshal H. Perlman**, Portola
Hills, CA (US); **Kaname Tomita**, Osaka
(JP); **Yasuhiro Araki**, Osaka (JP); **Taku
Yamada**, Irvine, CA (US); **Omar
Lopez**, Corona, CA (US); **Craig Allan
Depner**, Trabuco Canyon, CA (US);
Sheng Tong, Costa Mesa, CA (US)

5,610,822 A 3/1997 Murphy
5,808,660 A 9/1998 Sekine et al.
6,058,288 A 5/2000 Reed et al.
6,177,887 B1 1/2001 Jerome
D467,561 S * 12/2002 Kosciolek D14/451
6,702,604 B1 3/2004 Moscovitch
6,899,390 B2 5/2005 Sanfrod et al.

(Continued)

FOREIGN PATENT DOCUMENTS

EP 1 078 852 A2 2/2001

(Continued)

(73) Assignee: **Panasonic Avionics Corporation**, Lake
Forest, CA (US)

(**) Term: **14 Years**

(21) Appl. No.: **29/376,168**

(22) Filed: **Oct. 1, 2010**

(51) **LOC (9) Cl.** **14-03**

(52) **U.S. Cl.** **D14/129**

(58) **Field of Classification Search** D14/125-134,
D14/239, 371, 136, 374-377, 440, 450, 448,
D14/336, 342; 312/7.2; 348/836, 838, 180,
348/184, 325, 739; 341/12; 248/917-924,
248/465; 345/104, 133, 156, 168, 87, 173;
720/605, 669, 600, 655; 369/99, 197; 455/344,
455/347; D21/329, 515, 577, 622, 333, 433,
D21/448, 452, 450, 331; D6/477, 479, 300;
273/148 B; 446/484, 175, 356; D10/15,
D10/26

See application file for complete search history.

(56) **References Cited**

U.S. PATENT DOCUMENTS

3,037,812 A 6/1962 Monroe
D250,071 S 10/1978 Dickerson
4,647,980 A 3/1987 Steventon et al.
5,555,466 A 9/1996 Scribner et al.

OTHER PUBLICATIONS

Kirby, M., "Run Way Girl, Pinnacle seat is B/E's hottest-every prod-
uct launch," <http://www.flightglobal.com/blogs/runway-gir1/2010/08/pinnacle-seat-is-bes-hottest-e.html>, Aug. 2, 2010.

(Continued)

Primary Examiner — Raphael Barkai

(74) *Attorney, Agent, or Firm* — Orrick, Herrington &
Sutcliffe LLP

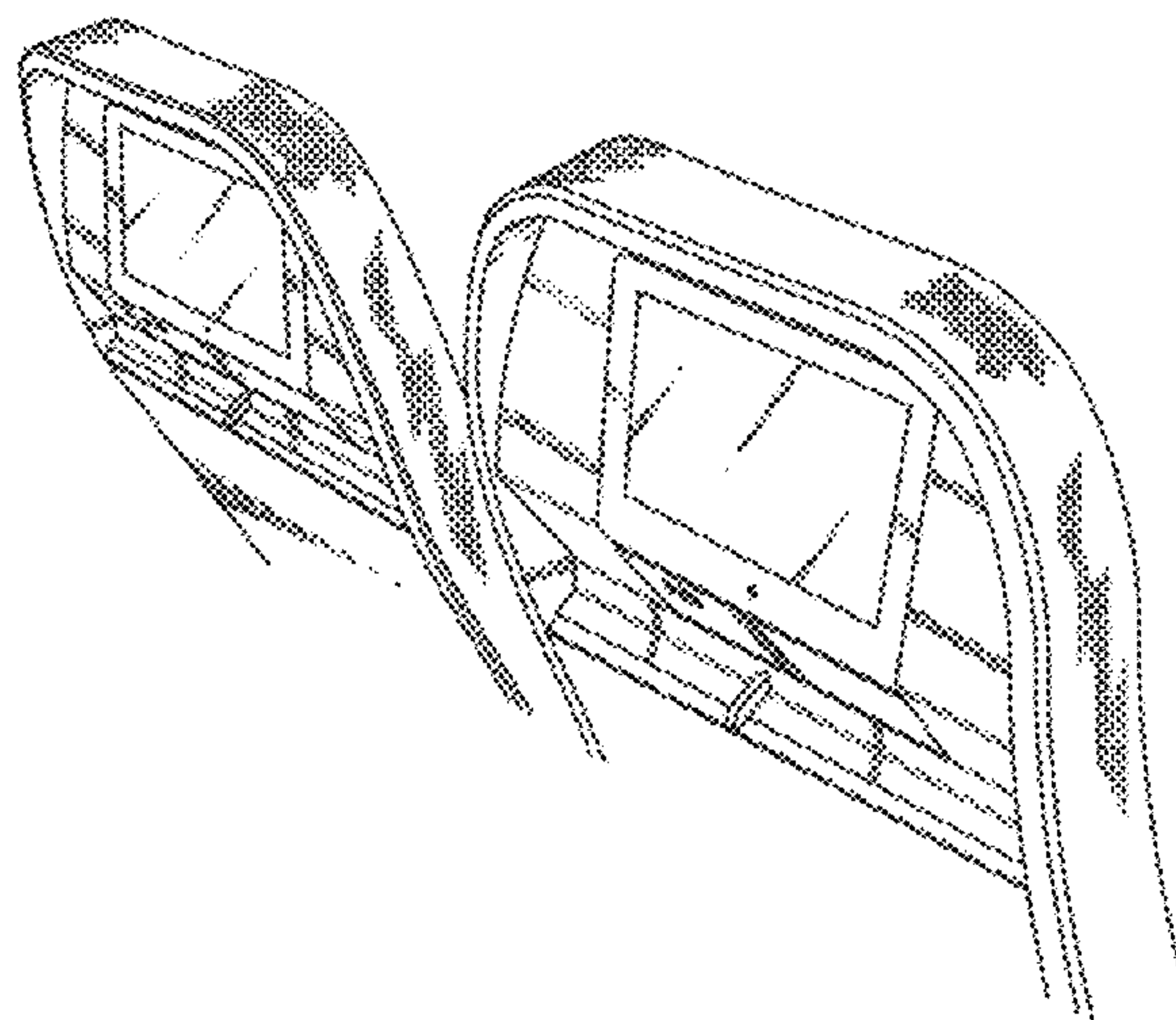
(57) **CLAIM**

The ornamental design for an integrated seatback display system, as shown and described.

DESCRIPTION

FIG. 1 illustrates an embodiment of a new and ornamental seat design having an integrated seatback display system, wherein the integrated display system is installed within seatback portions of a plurality selected seats; FIG. 2 is a left side view illustrating the new and ornamental seat design of FIG. 1; FIG. 3 is a left side perspective view illustrating the new and ornamental seat design of FIG. 1; and, FIG. 4 is a right side view illustrating the new and ornamental seat design of FIG. 1.

1 Claim, 4 Drawing Sheets



US D669,873 S

Page 2

U.S. PATENT DOCUMENTS

6,929,218 B1 8/2005 Sanford et al.
7,036,889 B2 5/2006 Sanfrod et al.
7,111,904 B2* 9/2006 Dowty et al. 297/313
7,124,426 B1 10/2006 Tsuria et al.
7,252,340 B2* 8/2007 Johnson 297/452.29
D564,991 S * 3/2008 Vitito D14/126
D571,746 S * 6/2008 Suzuki D14/126
D577,503 S 9/2008 Priestman
D594,431 S * 6/2009 Vitito D14/129
D622,240 S * 8/2010 Liu et al. D14/126
D635,108 S * 3/2011 Hughes et al. D14/129
D637,984 S * 5/2011 Willard D14/129
2002/0045484 A1 4/2002 Eck et al.
2003/0111888 A1* 6/2003 Brennan 297/316
2004/0077308 A1 4/2004 Sanford et al.
2004/0227861 A1* 11/2004 Schedivy 348/837
2005/0021602 A1 1/2005 Noel et al.
2005/0132407 A1 6/2005 Boyer, Jr. et al.
2005/0278754 A1 12/2005 Bleacher et al.

2006/0107295 A1 5/2006 Margis et al.
2006/0175882 A1* 8/2006 Schweizer 297/217.3
2007/0018494 A1* 1/2007 Gutosky 297/423.1
2008/0023600 A1 1/2008 Perlman
2009/0077595 A1 3/2009 Szelove et al.
2009/0079705 A1 3/2009 Szelove et al.
2009/0119721 A1 5/2009 Perlman et al.
2010/0162326 A1 6/2010 Bonar

FOREIGN PATENT DOCUMENTS

WO WO 99/14655 A1 3/1999
WO WO 03/05000 A1 6/2003
WO WO 2006/052941 A1 5/2006

OTHER PUBLICATIONS

Kirby, M., "Run Way Girl, Thales is Getting Slim Too," <http://www.flightglobal.com/blogs/runway-girl/2010/04/airbus-a350-drives-innovation.html>, Apr. 12, 2010.

* cited by examiner

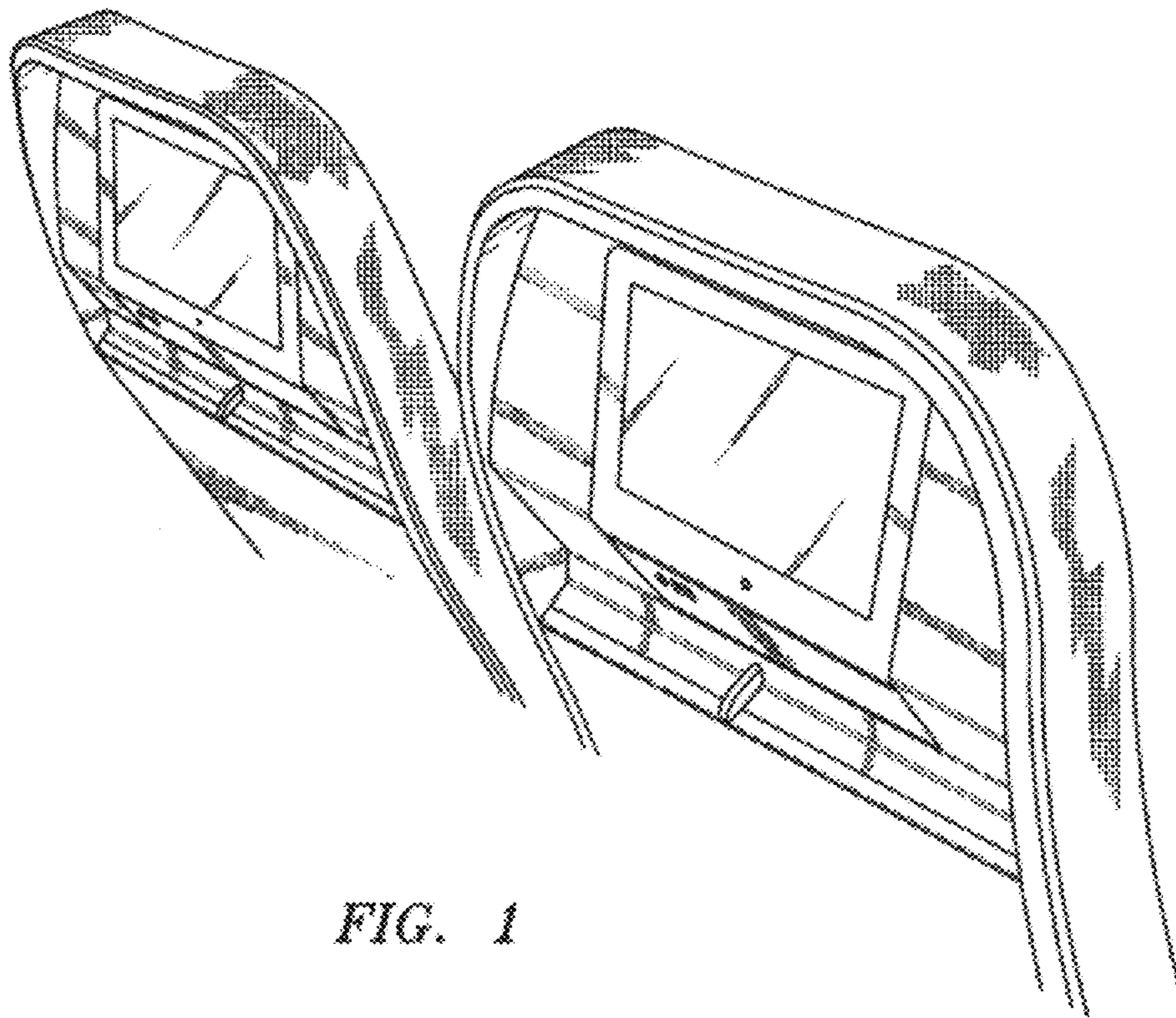
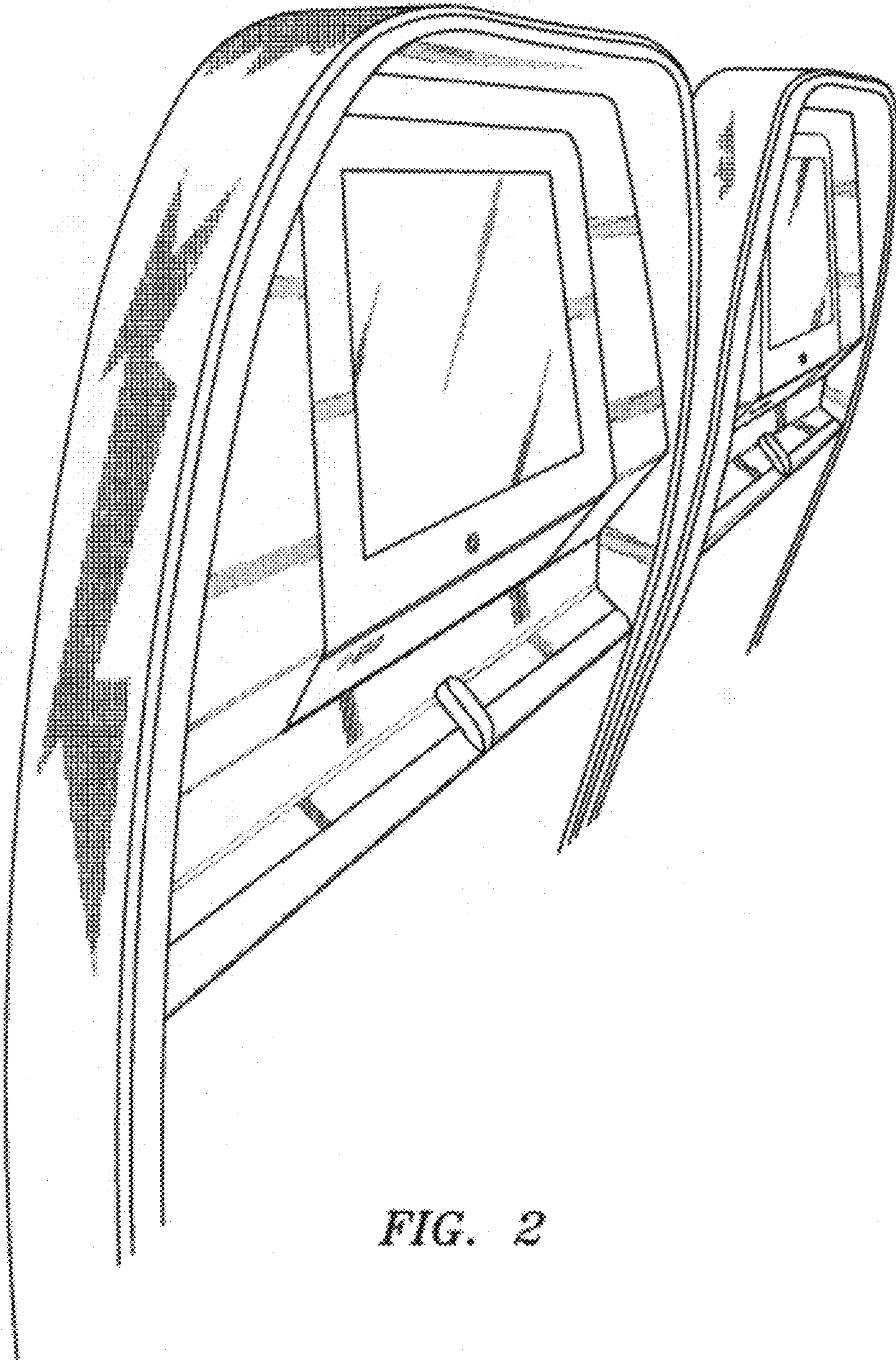


FIG. 1



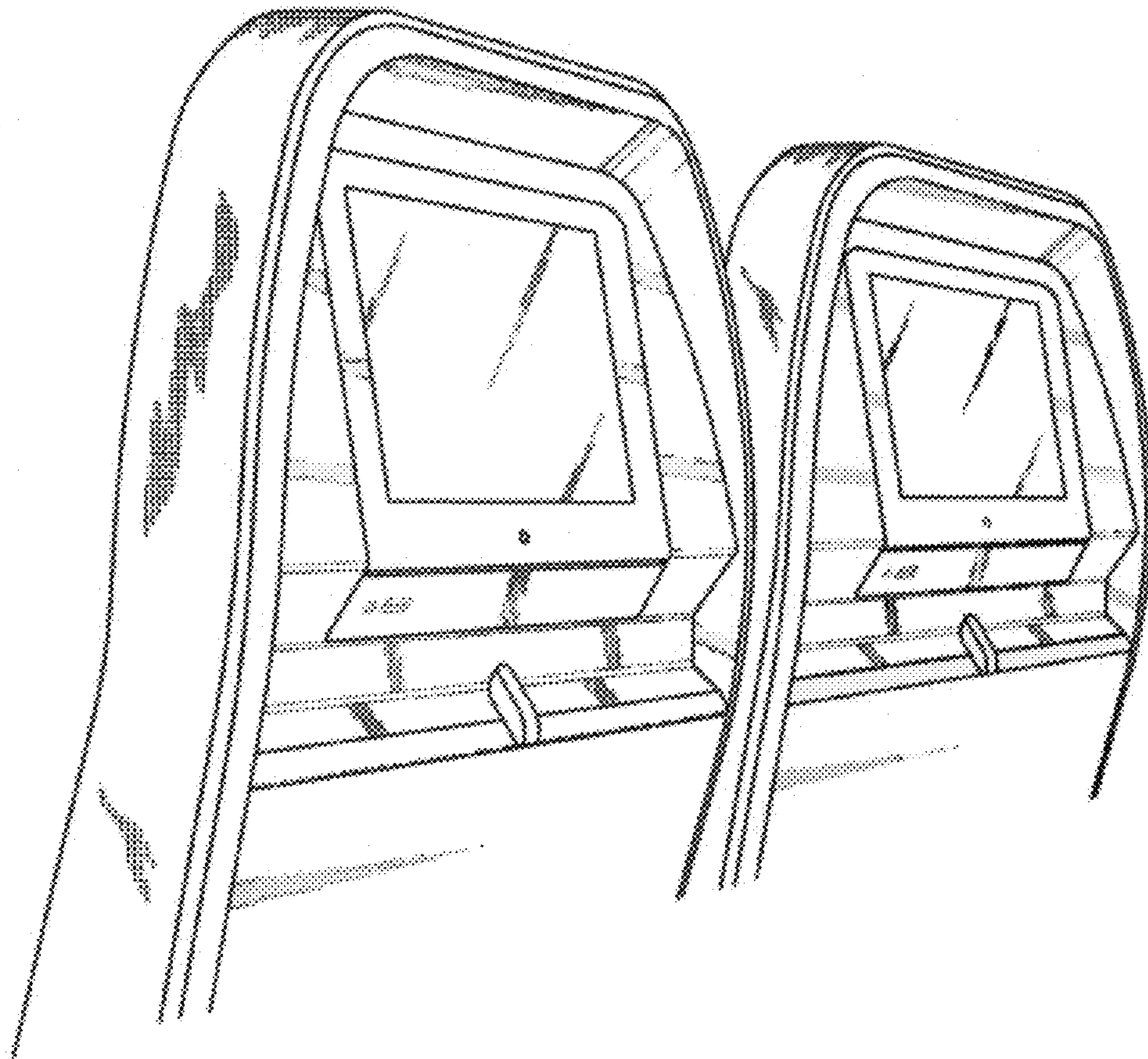


FIG. 3

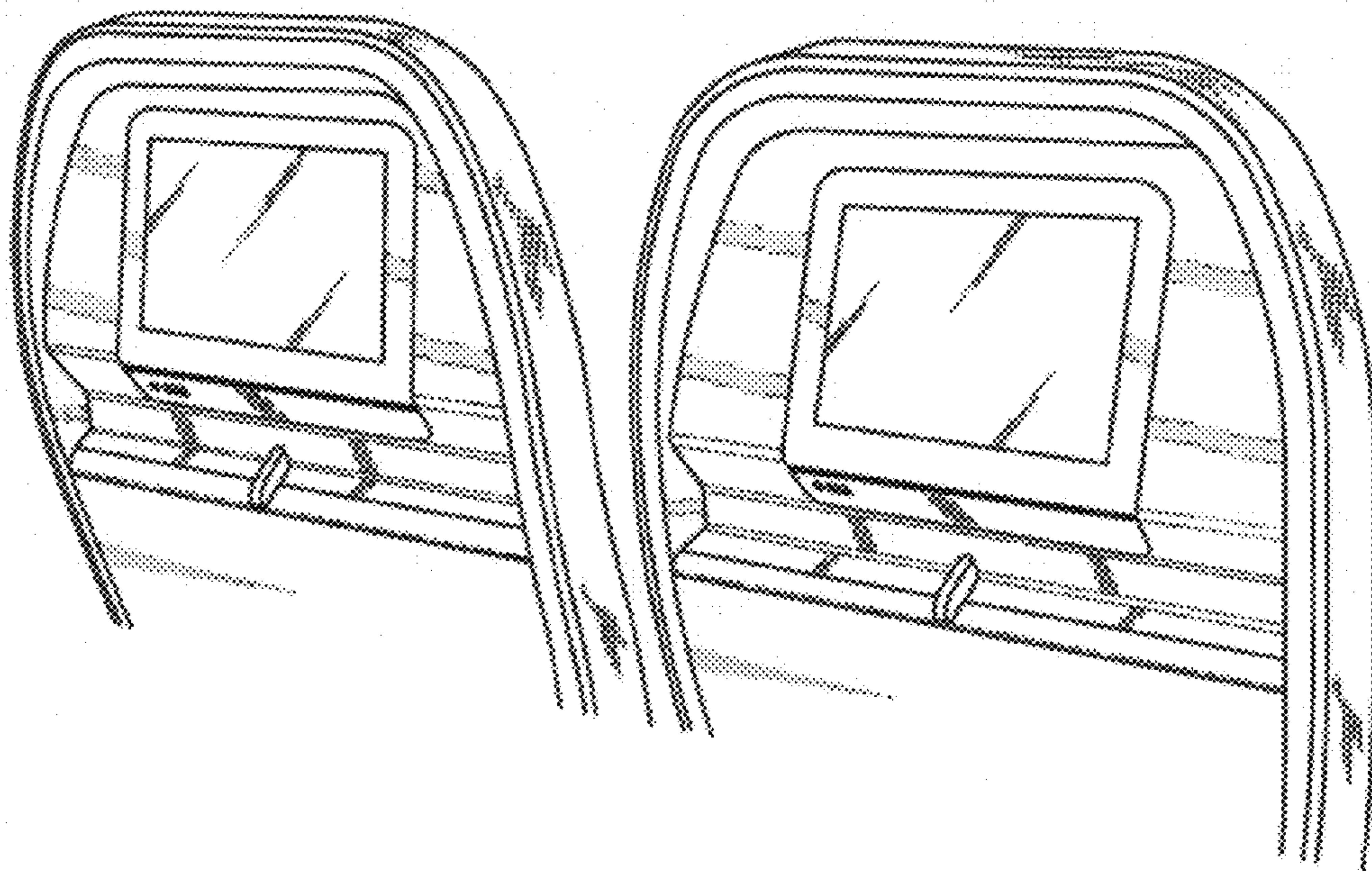


FIG. 4