



US00D669871S

(12) **United States Design Patent**  
**Furukawa**

(10) **Patent No.:** **US D669,871 S**

(45) **Date of Patent:** **\*\* Oct. 30, 2012**

(54) **DISPLAY DEVICE**

(75) Inventor: **Toshio Furukawa**, Osaka (JP)

(73) Assignee: **Funai Electric Co., Ltd.**, Osaka (JP)

(\*\*) Term: **14 Years**

(21) Appl. No.: **29/382,431**

(22) Filed: **Jan. 4, 2011**

(51) **LOC (9) Cl.** ..... **14-03**

(52) **U.S. Cl.** ..... **D14/126**

(58) **Field of Classification Search** ..... D14/125-134,  
D14/239, 371, 136, 374-377, 440, 450, 448,  
D14/336, 342; 312/7.2; 348/836, 838, 180,  
348/184, 325, 739; 341/12; 248/917-924,  
248/465; 345/104, 133, 156, 168, 87, 173;  
720/605, 669, 600, 655; 369/99, 197; D21/329,  
D21/515, 577, 622, 333, 433, 448, 452, 450,  
D21/331; D6/477, 479, 300; 273/148 B;  
446/484, 175, 356; D10/15, 26

See application file for complete search history.

(56) **References Cited**

**U.S. PATENT DOCUMENTS**

D612,819 S \* 3/2010 Honda ..... D14/126

D625,278 S \* 10/2010 Kim et al. .... D14/126  
D627,750 S \* 11/2010 Suzuki ..... D14/126  
D641,328 S \* 7/2011 Lee et al. .... D14/126  
D643,824 S \* 8/2011 Ryu et al. .... D14/126

\* cited by examiner

*Primary Examiner* — Raphael Barkai

(74) *Attorney, Agent, or Firm* — Sughrue Mion, PLLC

(57) **CLAIM**

The ornamental design for a display device, as shown and described.

**DESCRIPTION**

FIG. 1 is a perspective view of the top, front and right of a display device showing our new design;  
FIG. 2 is a front view thereof;  
FIG. 3 is a rear view thereof;  
FIG. 4 is a top plan view thereof;  
FIG. 5 is a bottom view thereof;  
FIG. 6 is a left side view thereof; and,  
FIG. 7 is a right side view thereof.

**1 Claim, 5 Drawing Sheets**

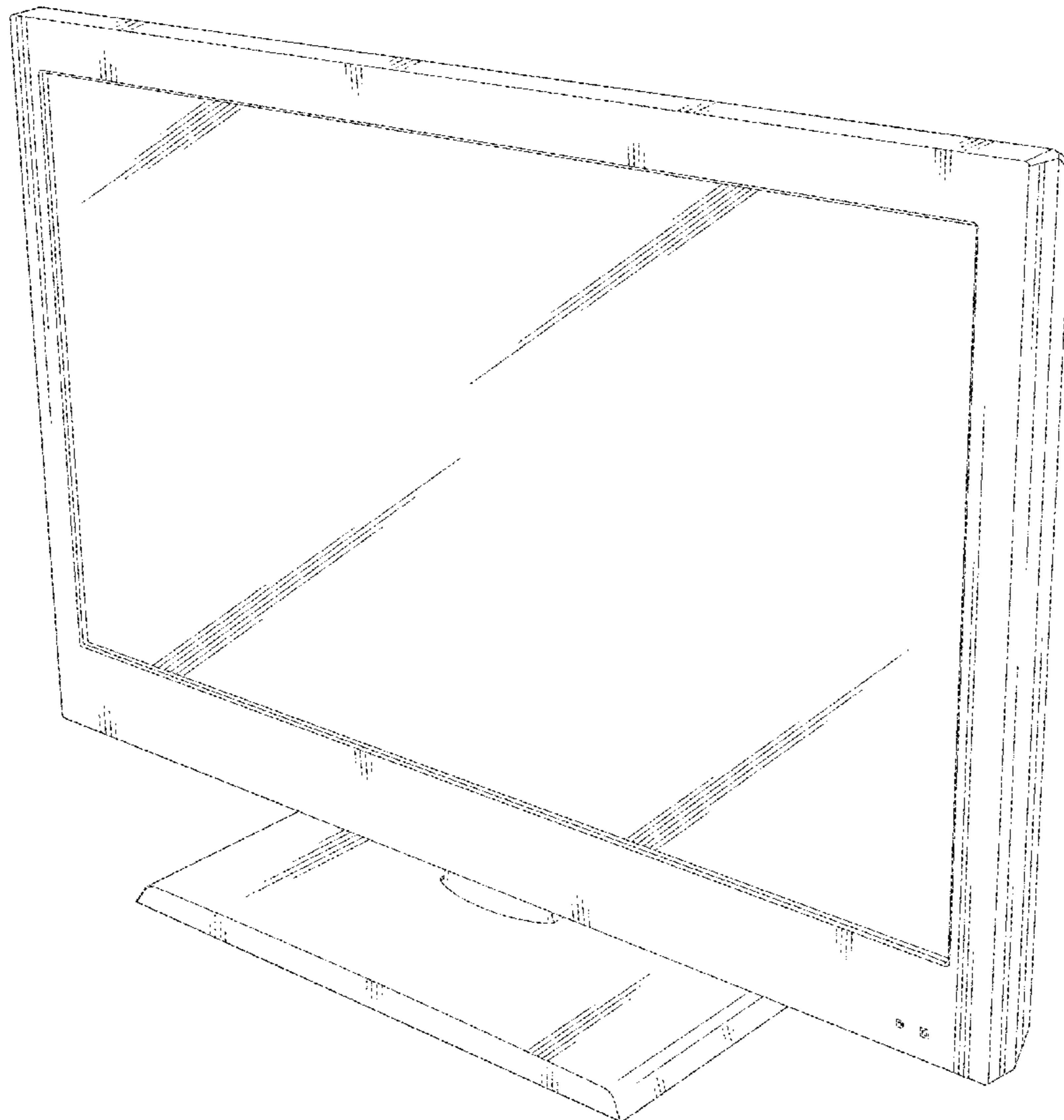


Fig. 1

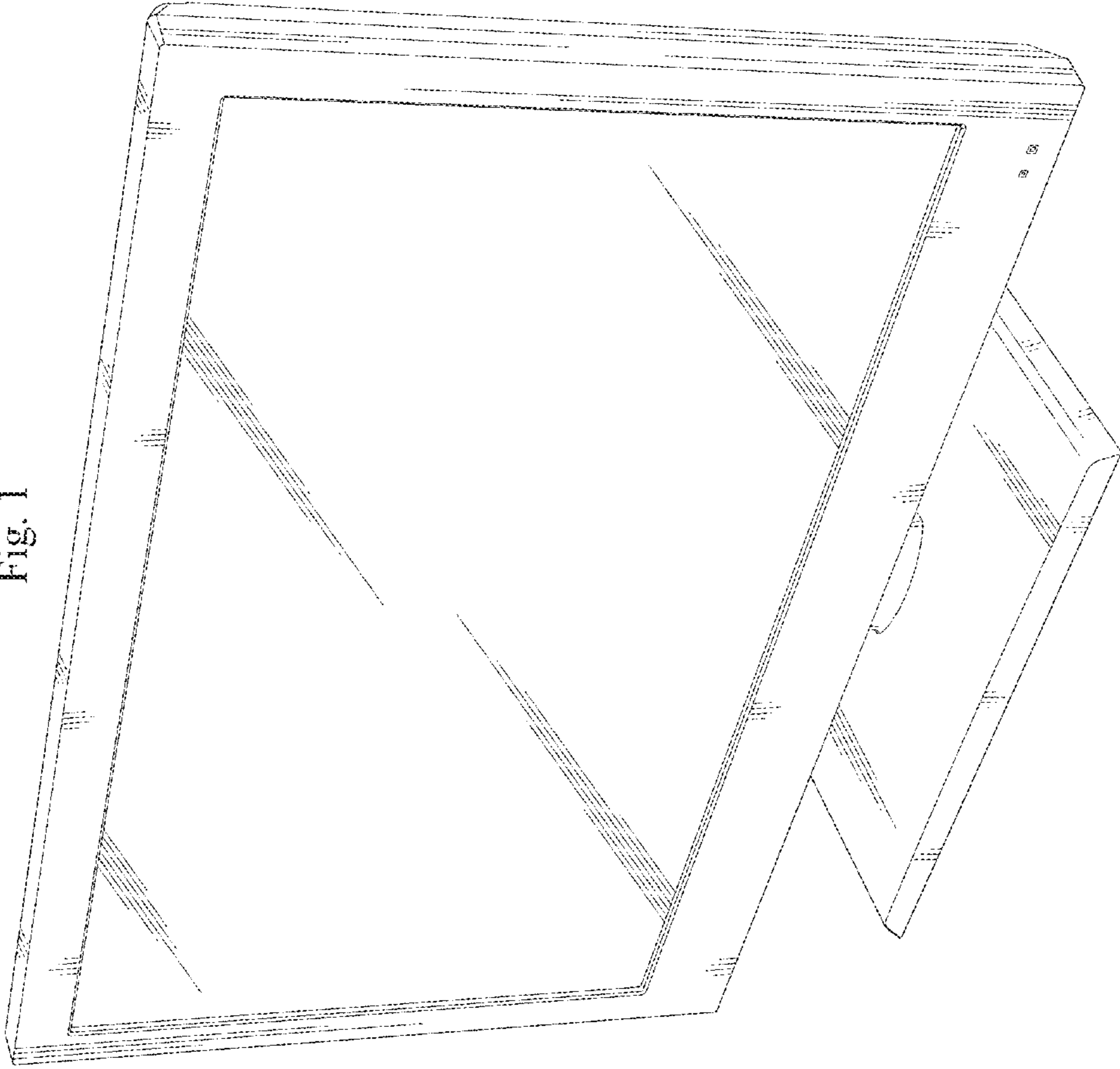


Fig. 2

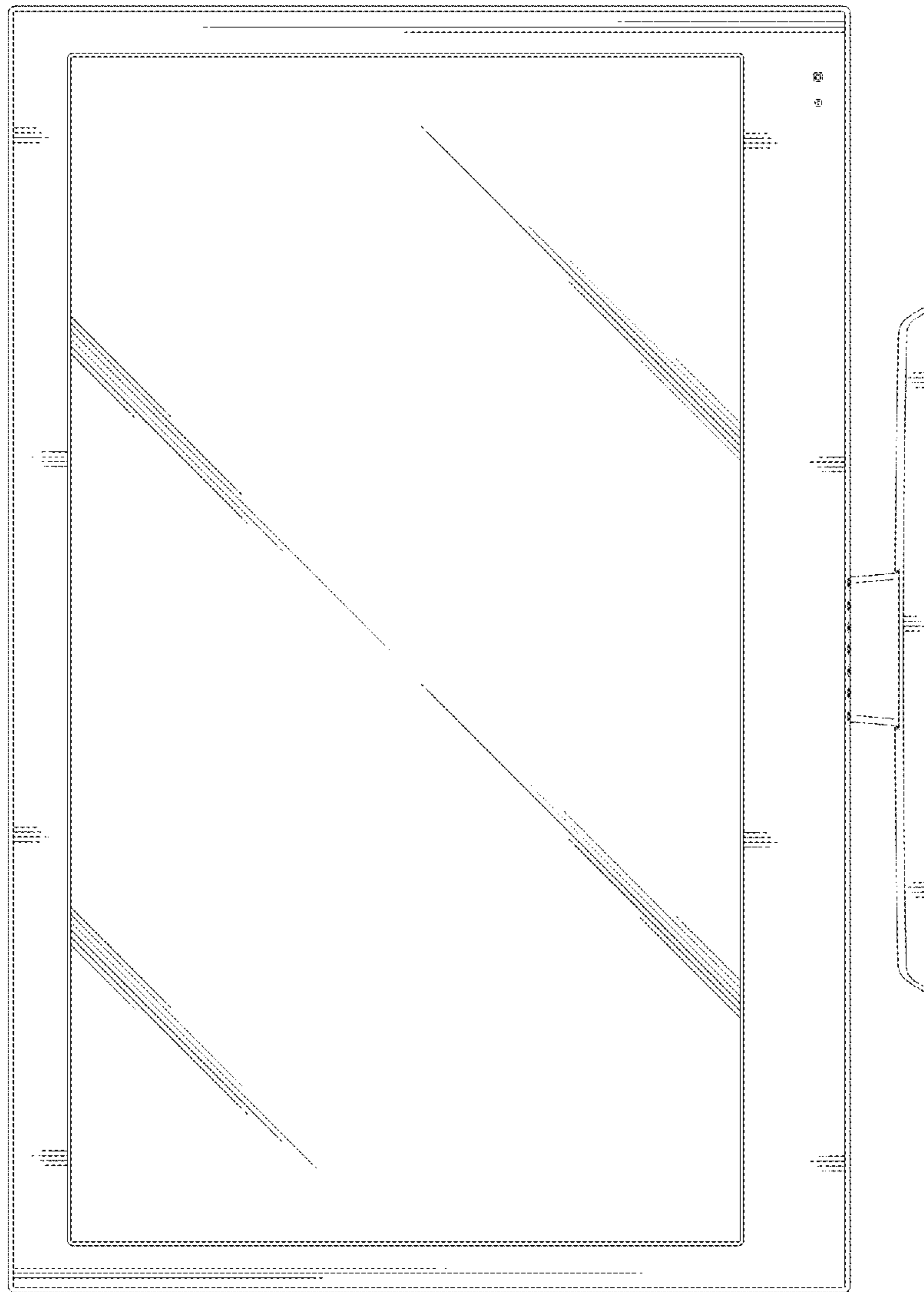


Fig. 3

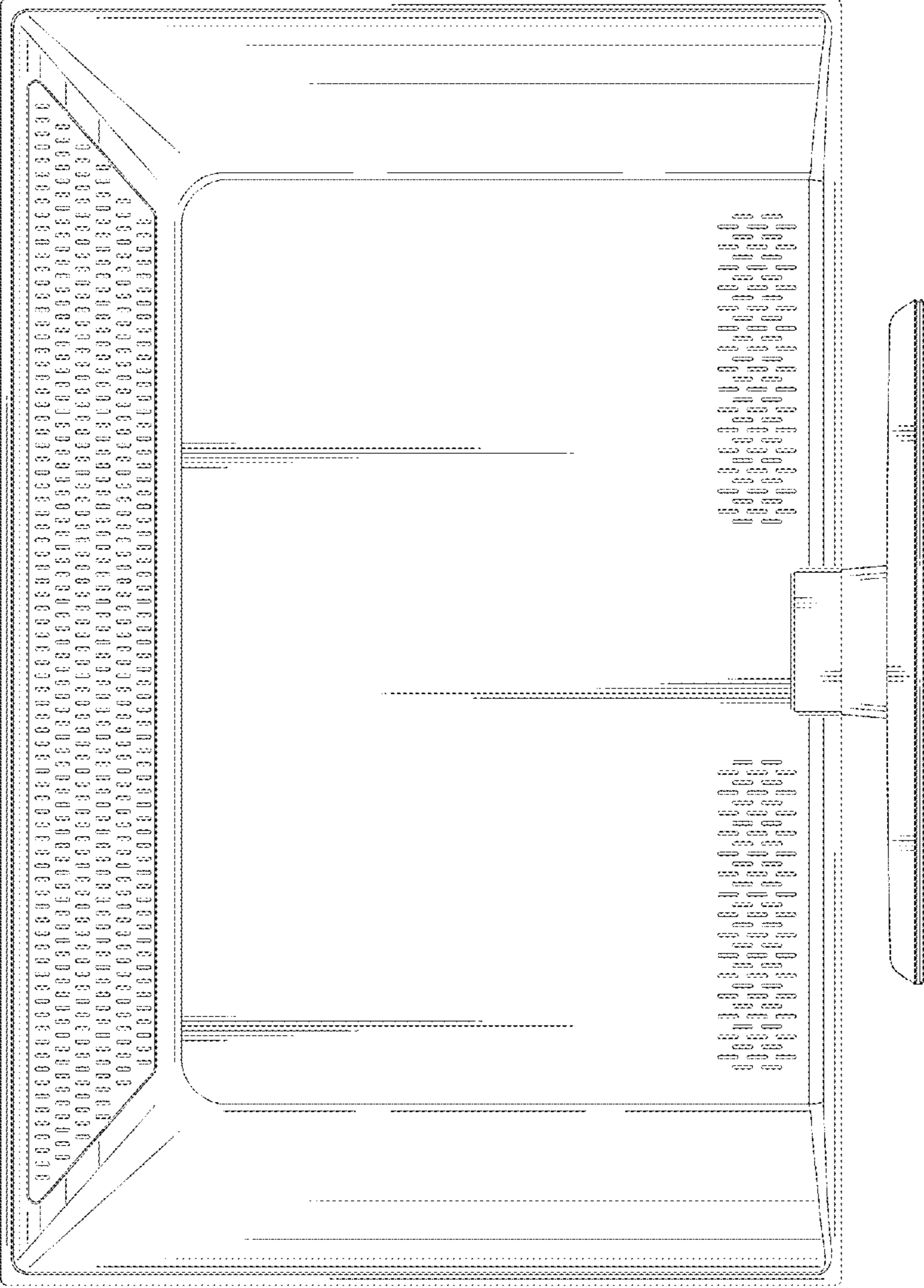


Fig. 4

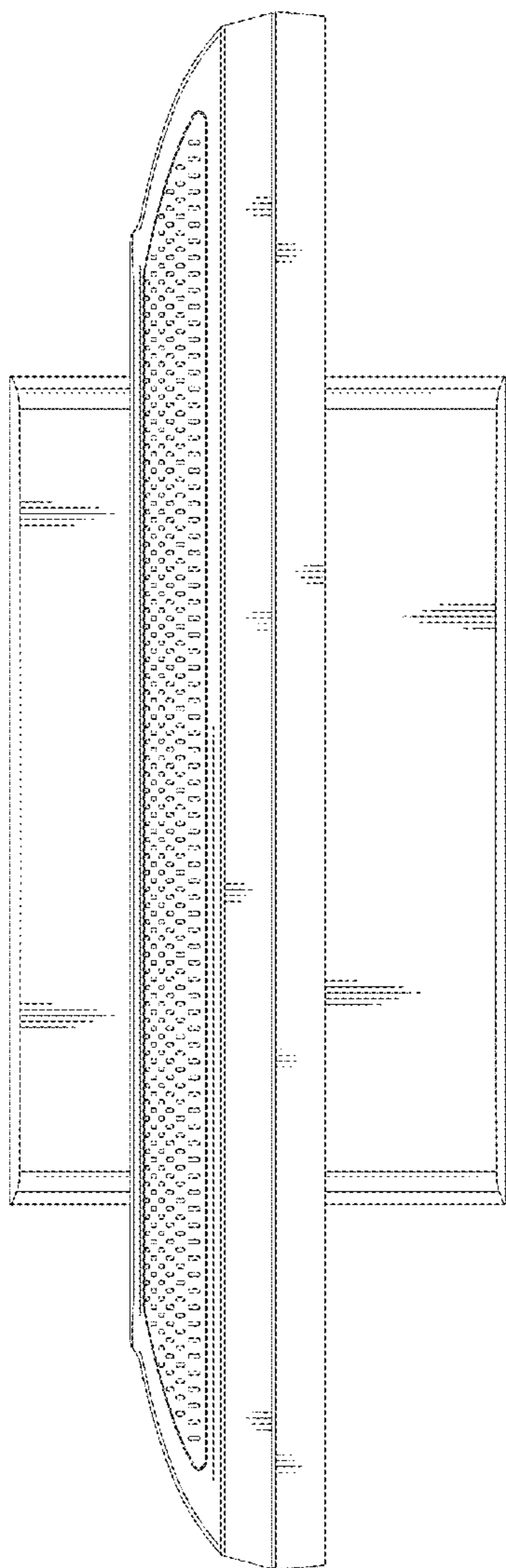


Fig. 5

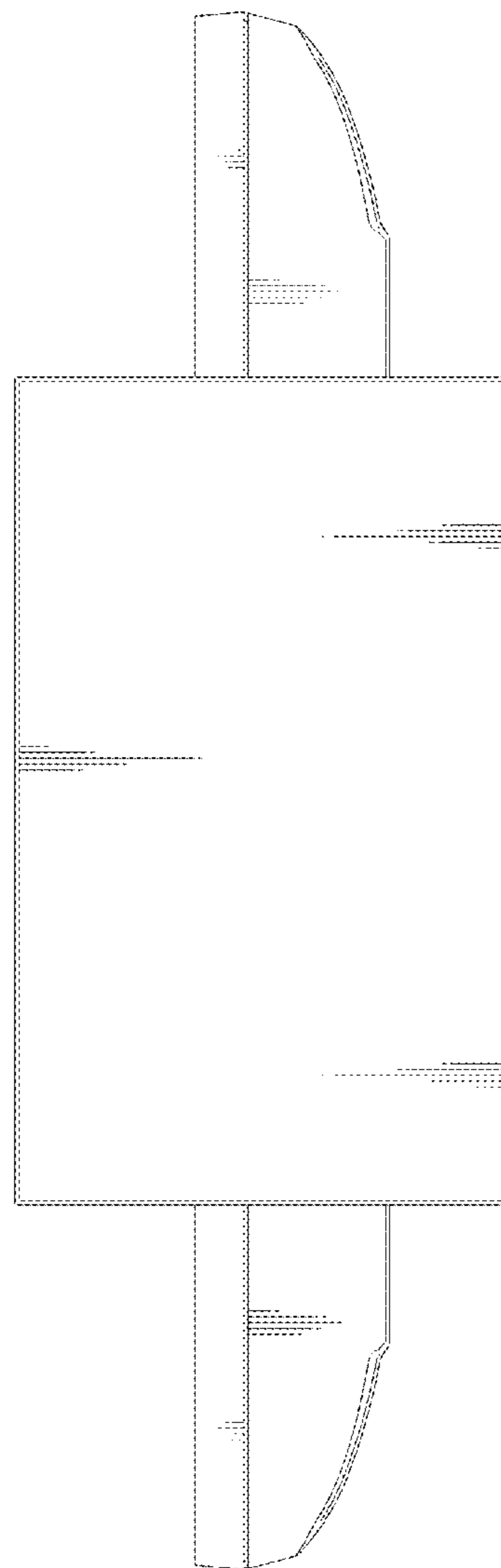


Fig. 7

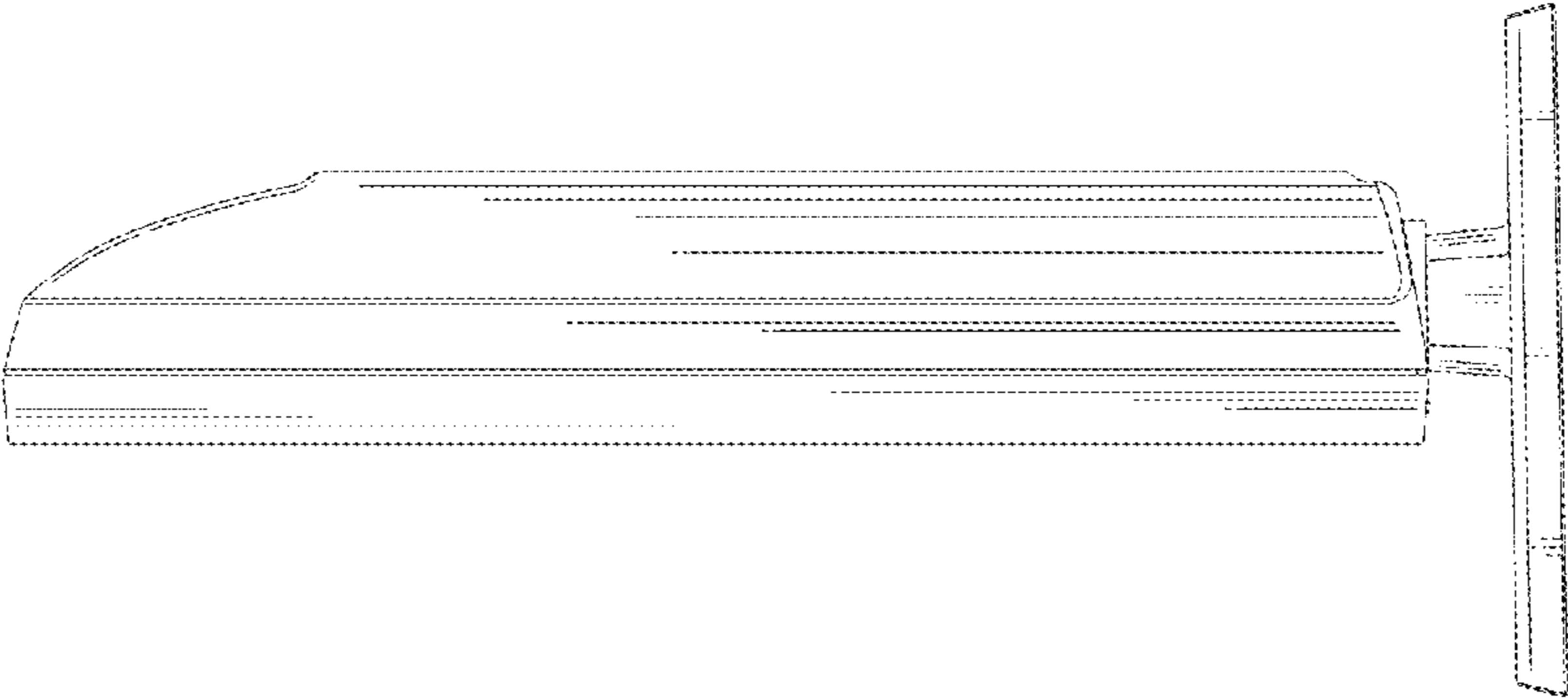


Fig. 6

