



US00D669869S

(12) **United States Design Patent**
Lee et al.

(10) **Patent No.:** **US D669,869 S**
(45) **Date of Patent:** **** Oct. 30, 2012**

(54) **LED CHIP**

(75) Inventors: **Chia-En Lee**, Chia Yi (TW); **Te-Ling Hsia**, New Taipei (TW); **Wen-Fei Fong**, Hsin Chu (TW)

(73) Assignee: **Lextar Electronics Corp.**, Hsinchu (TW)

(**) Term: **14 Years**

(21) Appl. No.: **29/406,563**

(22) Filed: **Nov. 16, 2011**

(30) **Foreign Application Priority Data**

May 24, 2011 (TW) 100302532

(51) **LOC (9) Cl.** **13-03**

(52) **U.S. Cl.** **D13/180**

(58) **Field of Classification Search** D13/180;
D26/1, 2; 257/79, 80, 81, 88, 89, 95, 98,
257/99, 100, E33.058; 313/483, 498, 500;
362/555, 800

See application file for complete search history.

(56) **References Cited**

U.S. PATENT DOCUMENTS

6,307,218 B1 * 10/2001 Steigerwald et al. 257/99
6,847,052 B2 * 1/2005 Fan et al. 257/79
7,087,985 B2 * 8/2006 Park et al. 257/676
D566,056 S * 4/2008 Edmond et al. D13/180
D578,536 S * 10/2008 Lei et al. D14/435
7,531,841 B2 * 5/2009 Ko et al. 257/79
D593,968 S * 6/2009 Edmond et al. D13/180

D619,976 S * 7/2010 Liu et al. D13/180
7,795,610 B2 * 9/2010 Kim et al. 257/35
D627,747 S * 11/2010 Chu et al. D13/180
D633,876 S * 3/2011 Shan et al. D13/180
D638,377 S * 5/2011 Yan et al. D13/180
D645,421 S * 9/2011 Wang et al. D13/180
D648,287 S * 11/2011 Hsu et al. D13/180
8,110,847 B2 * 2/2012 Ko et al. 257/99
D656,908 S * 4/2012 Hsu et al. D13/180
8,168,995 B2 * 5/2012 Ko et al. 257/99
8,188,505 B2 * 5/2012 Shen et al. 257/99
2006/0192223 A1 * 8/2006 Lee et al. 257/99
2009/0159909 A1 * 6/2009 Lee et al. 257/96
2010/0025719 A1 * 2/2010 Li 257/99
2011/0278634 A1 * 11/2011 Na et al. 257/99
2011/0284901 A1 * 11/2011 Kim et al. 257/98

* cited by examiner

Primary Examiner — Selina Sikder

(74) *Attorney, Agent, or Firm* — Schmeiser Olsen & Watts LLP

(57) **CLAIM**

The ornamental design for LED chip, as shown and described.

DESCRIPTION

FIG. 1 is a front perspective view of LED chip showing the new design;

FIG. 2 is a front elevational view thereof;

FIG. 3 is a rear elevational view thereof;

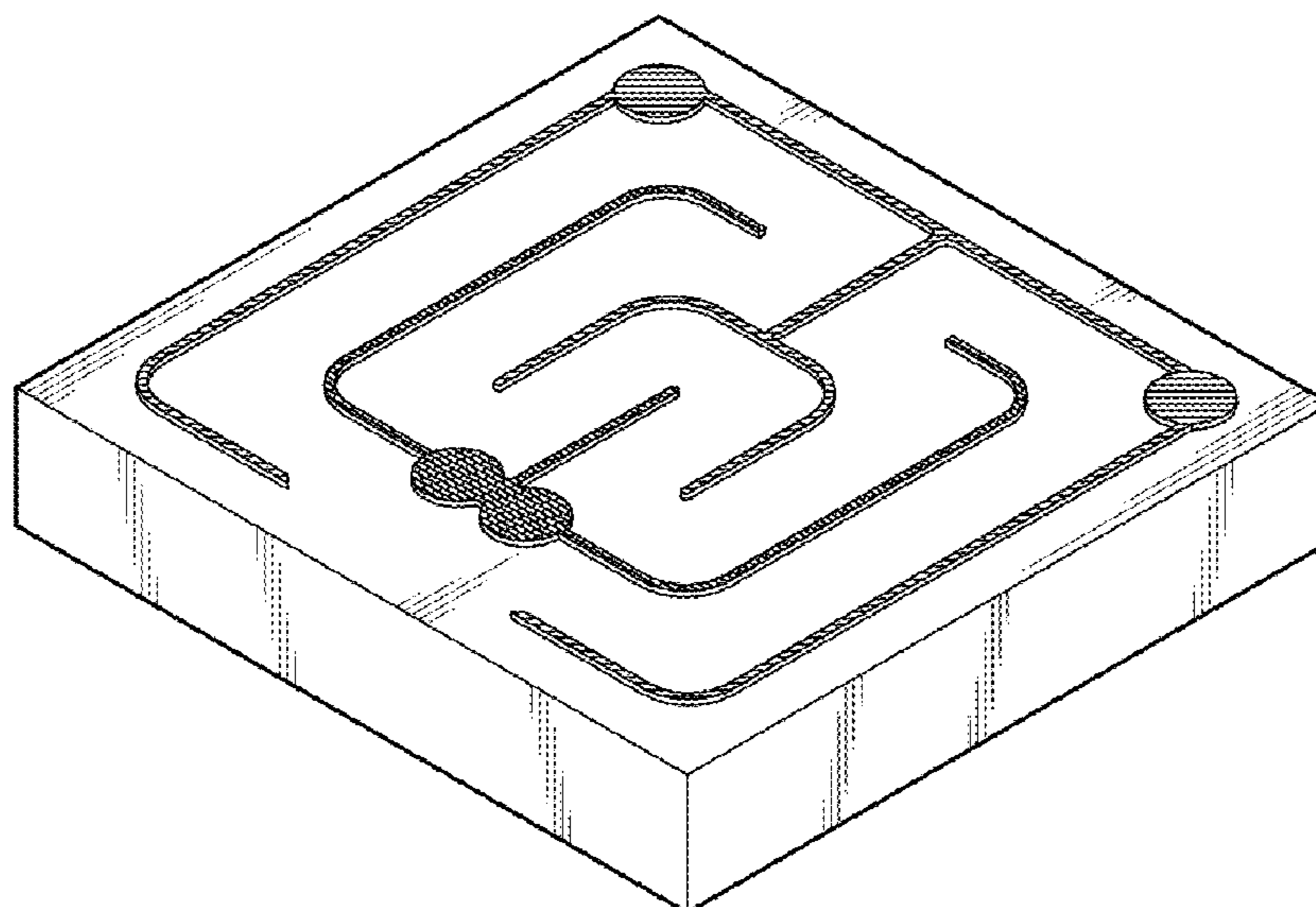
FIG. 4 is a left side elevational view thereof;

FIG. 5 is a right side elevational view thereof;

FIG. 6 is a top plan view thereof; and,

FIG. 7 is a bottom plan view thereof.

1 Claim, 7 Drawing Sheets



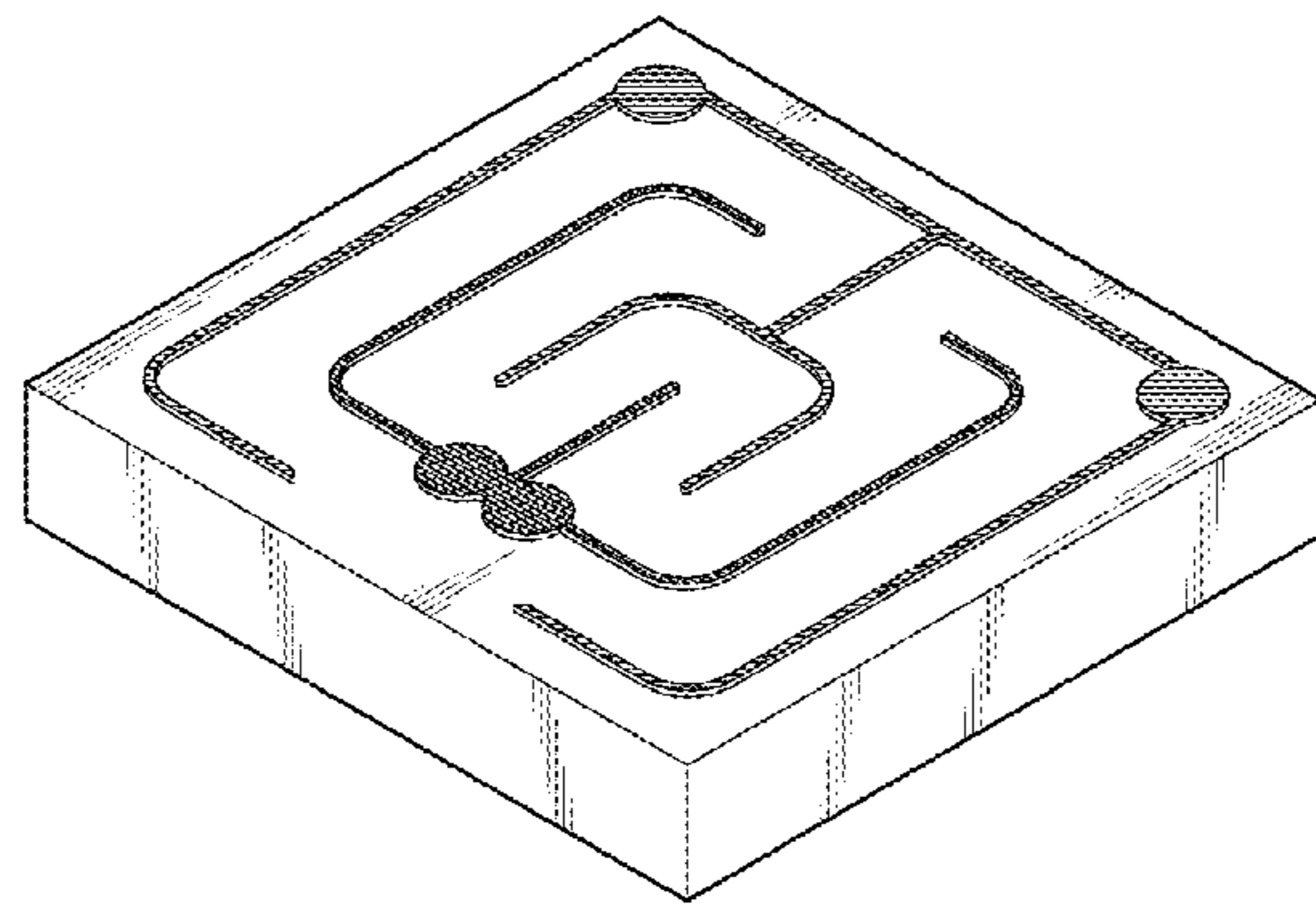


FIG.1



FIG.2



FIG.3

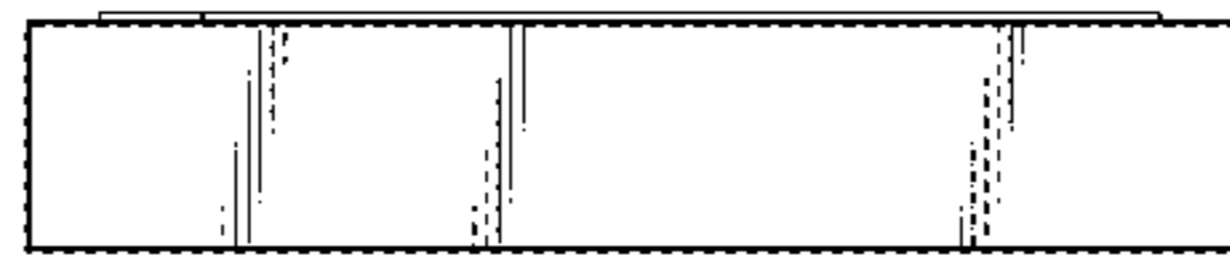


FIG.4

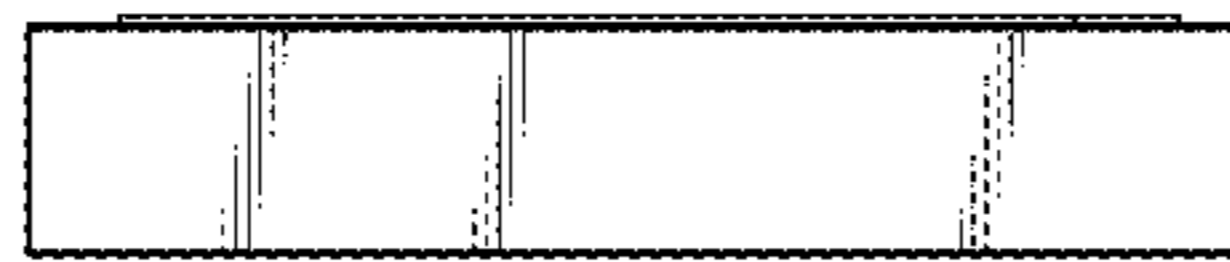


FIG.5

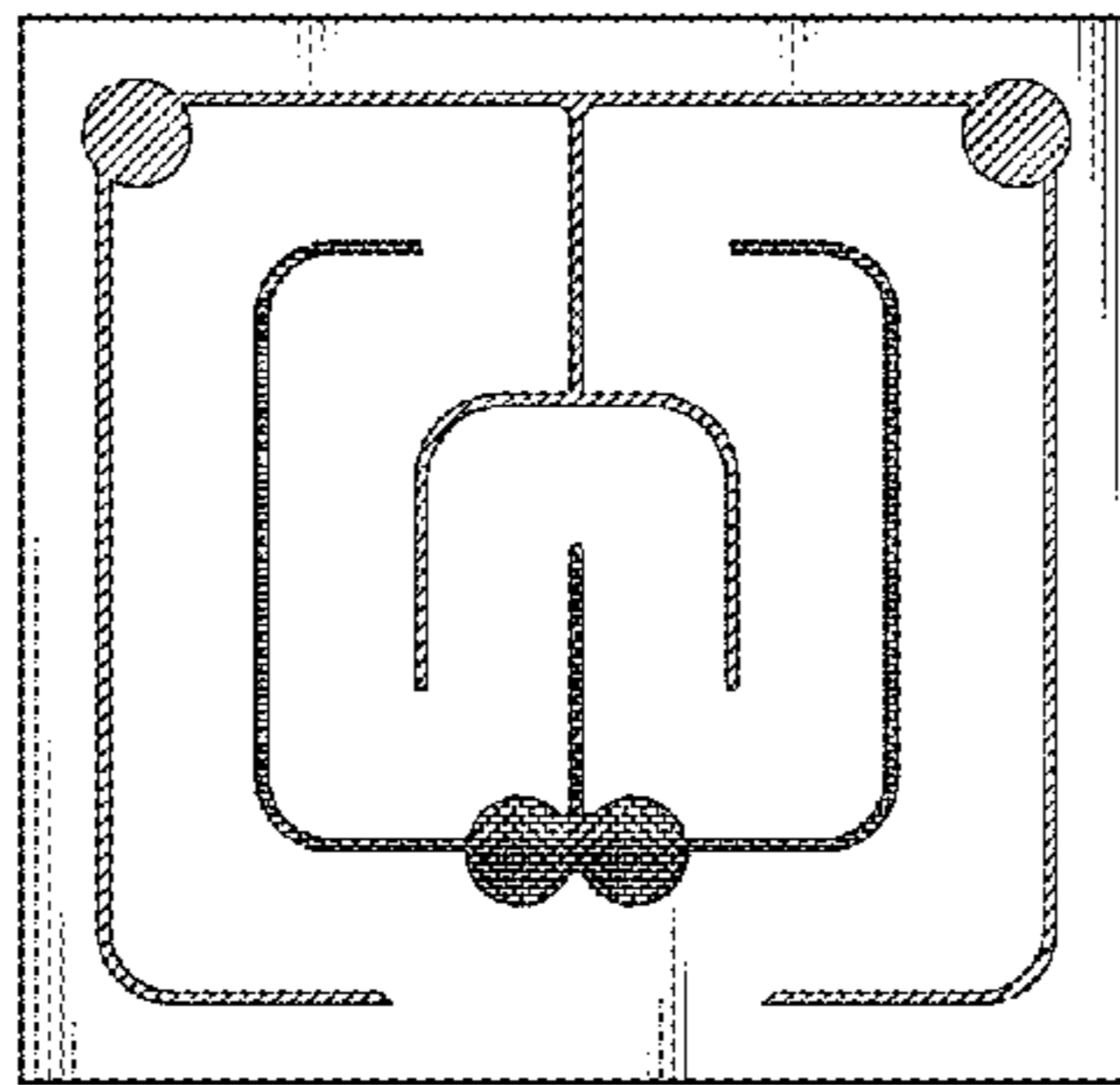


FIG.6

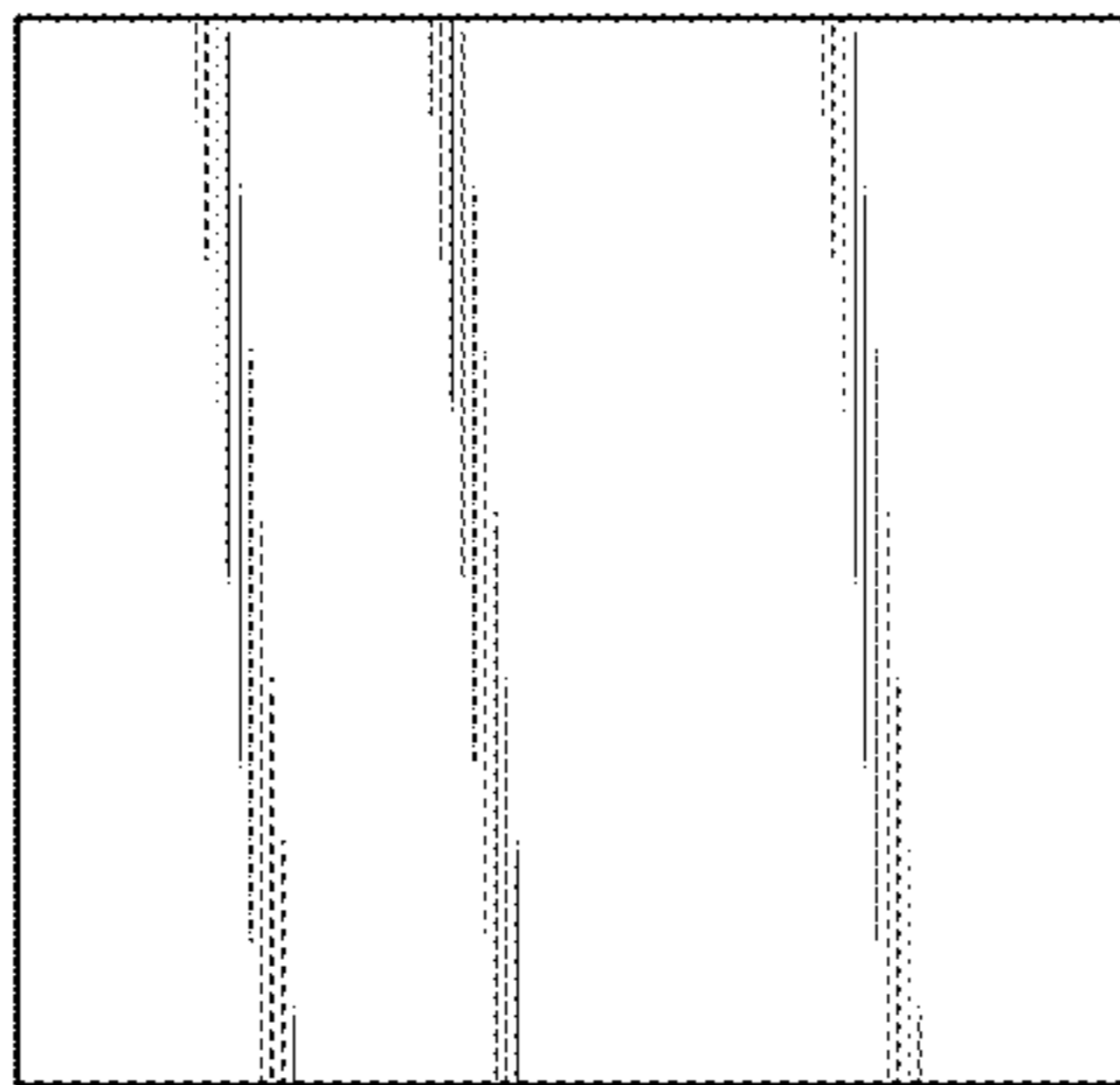


FIG.7