



US00D669868S

(12) **United States Design Patent**
Bacchus

(10) **Patent No.:** **US D669,868 S**

(45) **Date of Patent:** **** Oct. 30, 2012**

(54) **COVER ASSEMBLY FOR A REMOTE CONTROL BATTERY COMPARTMENT**

(76) Inventor: **Roseanna Bacchus**, Brooklyn, NY (US)

(**) Term: **14 Years**

(21) Appl. No.: **29/389,249**

(22) Filed: **Apr. 8, 2011**

(51) **LOC (9) Cl.** **14-03**

(52) **U.S. Cl.** **D13/168; D13/184**

(58) **Field of Classification Search** D13/102–106,
D13/118–119, 168, 184; D3/203.2, 294;
D9/414, 423, 424, 430, 432, 727, 721, 759;
D14/218; D28/83; 220/255, 283; 320/108;
340/4.3, 4.42, 12.22, 12.23, 12.24, 12.29,
340/12.3, 13.2, 13.21, 13.24; 341/176; 345/156,
345/169; 361/679.01; 429/96, 97, 100, 163,
429/176; 455/575.1; 700/17, 65, 83
See application file for complete search history.

(56) **References Cited**

U.S. PATENT DOCUMENTS

1,622,463	A *	3/1927	Marcus	132/296
D115,324	S *	6/1939	Zell	D28/83
2,206,260	A *	7/1940	Nyden	220/283
2,642,202	A *	6/1953	Cowan	220/844
D256,283	S *	8/1980	Chevassus	D28/83
D262,150	S *	12/1981	Sussman	D28/83
D268,098	S *	3/1983	Brown	D9/418
4,399,826	A *	8/1983	Ogasawara	132/301
D305,164	S *	12/1989	Hall	D28/83
D339,063	S *	9/1993	Simon	D9/433
5,295,580	A *	3/1994	Hicks	206/588
D352,601	S *	11/1994	Dallaire	D3/212
D375,932	S *	11/1996	Nagele et al.	D13/103
D398,527	S *	9/1998	Maceachern et al.	D9/432
D406,098	S *	2/1999	Walter et al.	D13/103
D422,120	S *	3/2000	Orsomando	D28/83
6,305,539	B1 *	10/2001	Sanders, Jr.	206/320
D478,866	S *	8/2003	Nakai	D13/103
D480,837	S *	10/2003	Liu	D28/83

D517,911	S *	3/2006	Alexander et al.	D9/433
D637,153	S *	5/2011	Ikeda et al.	D13/103
D642,743	S *	8/2011	Shteysel	D28/83
8,025,995	B2 *	9/2011	Wang	429/97
D651,167	S *	12/2011	Lemelman et al.	D13/103
8,072,749	B1 *	12/2011	Chen	361/679.55
D662,044	S *	6/2012	Lemelman et al.	D13/103
8,203,829	B2 *	6/2012	Yuan	361/679.01
8,212,708	B2 *	7/2012	Nozoe et al.	341/176
2003/0211382	A1 *	11/2003	Aoyama	429/96
2007/0077487	A1 *	4/2007	Yang et al.	429/187
2010/0103594	A1 *	4/2010	Wang	361/679.01
2010/0143780	A1 *	6/2010	Yang et al.	429/100
2011/0020681	A1 *	1/2011	Liu	429/97
2011/0070472	A1 *	3/2011	Cui et al.	429/97

* cited by examiner

Primary Examiner — Selina Sikder

(74) *Attorney, Agent, or Firm* — Gottlieb, Rackman & Reisman, P.C.

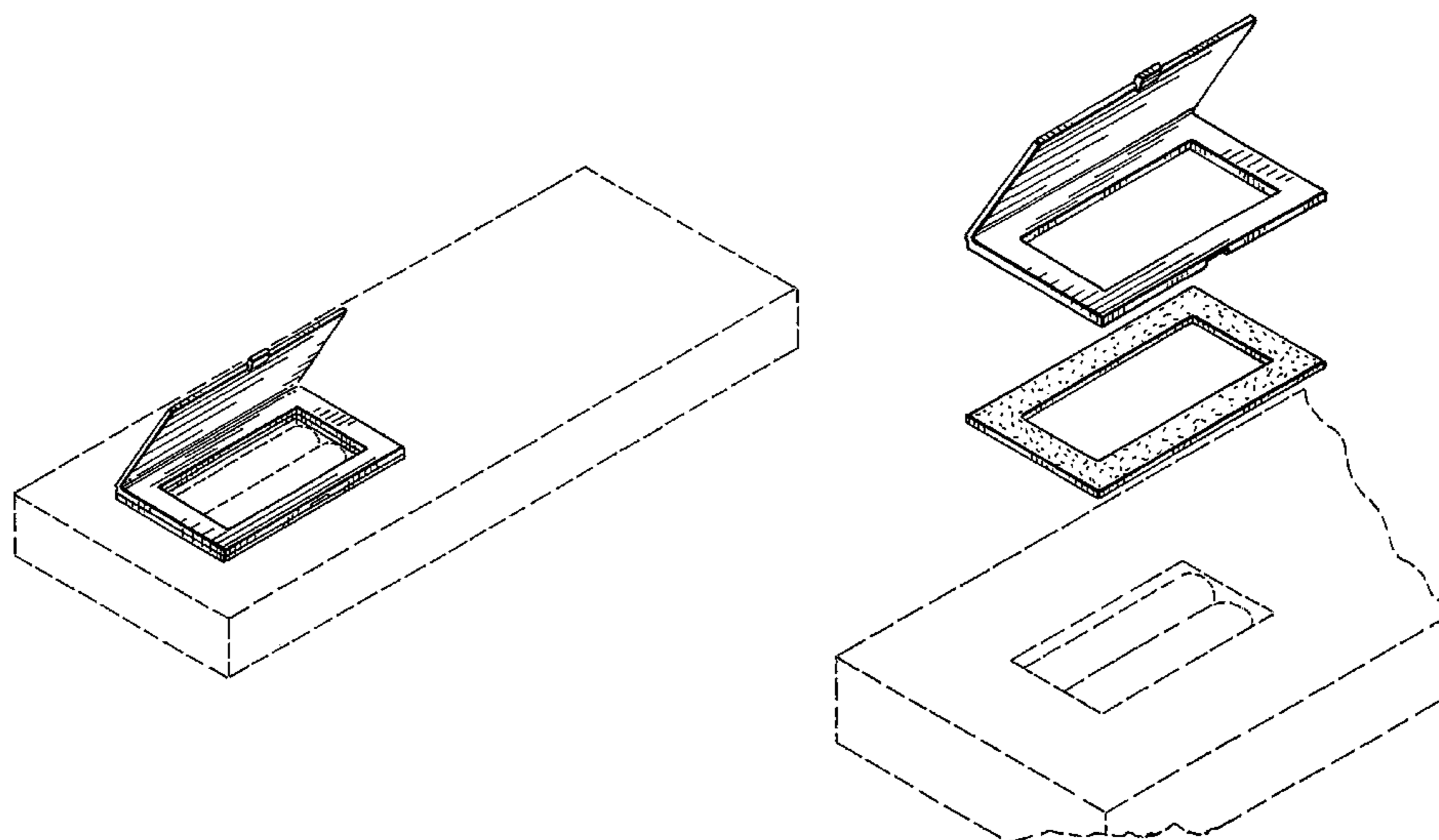
(57) **CLAIM**

The ornamental design for a cover assembly for a remote control battery compartment, as shown and described.

DESCRIPTION

FIG. 1 is a top, left and front perspective view of the cover assembly for a remote control battery compartment showing my new design in closed position;
 FIG. 2 is a top, left and front perspective view thereof in open position;
 FIG. 3 is a top plan view thereof;
 FIG. 4 is a front view thereof;
 FIG. 5 is a right side view thereof, the left side being a mirror image;
 FIG. 6 is a rear view thereof;
 FIG. 7 is a bottom plan thereof; and,
 FIG. 8 is an exploded view thereof.
 The broken lines in FIG. 1, FIG. 2 and FIG. 8 showing the remote control and the battery compartment are for illustrative purpose only and form no part of the claimed design.

1 Claim, 3 Drawing Sheets



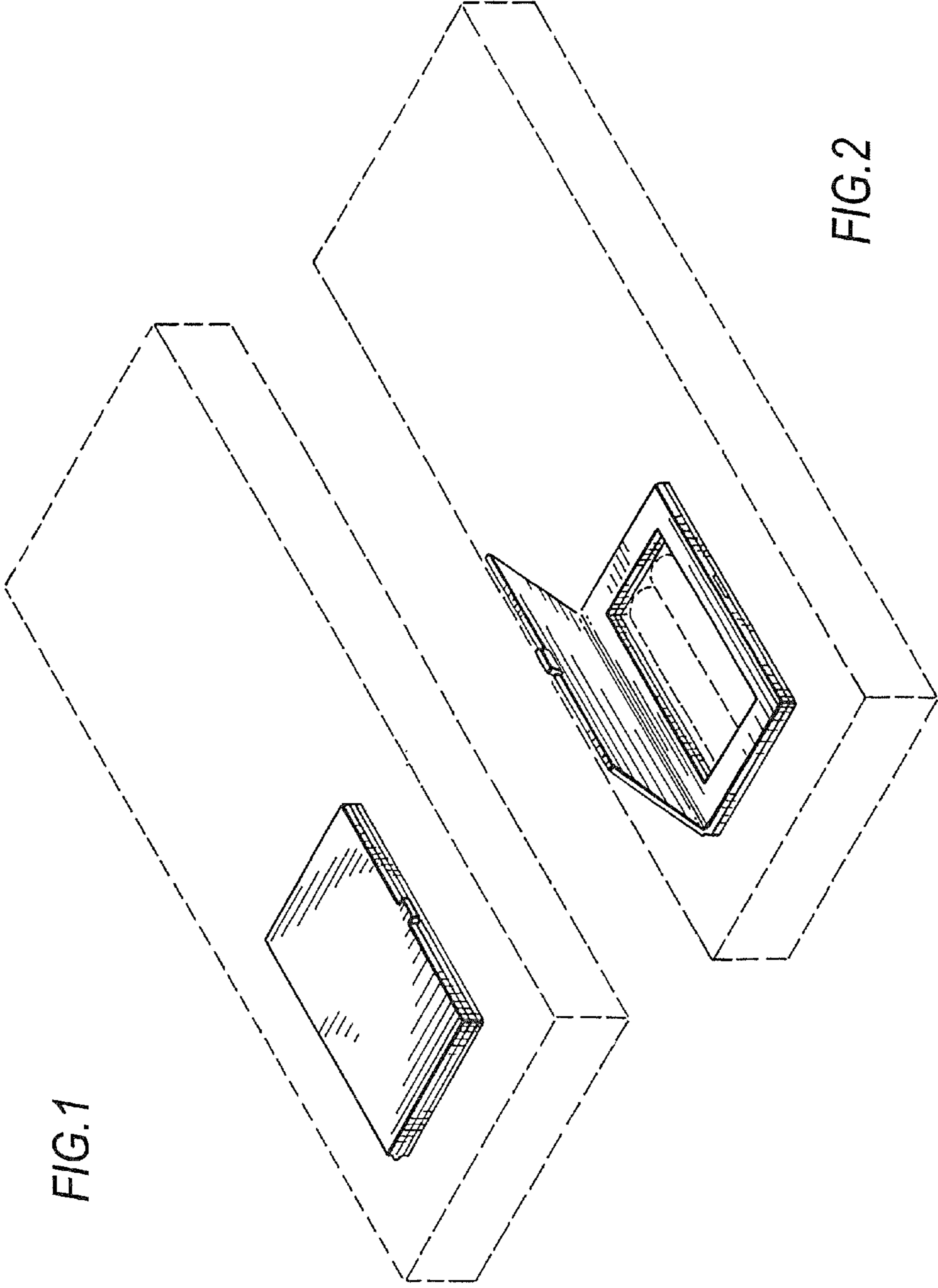


FIG.1

FIG.2

FIG.3

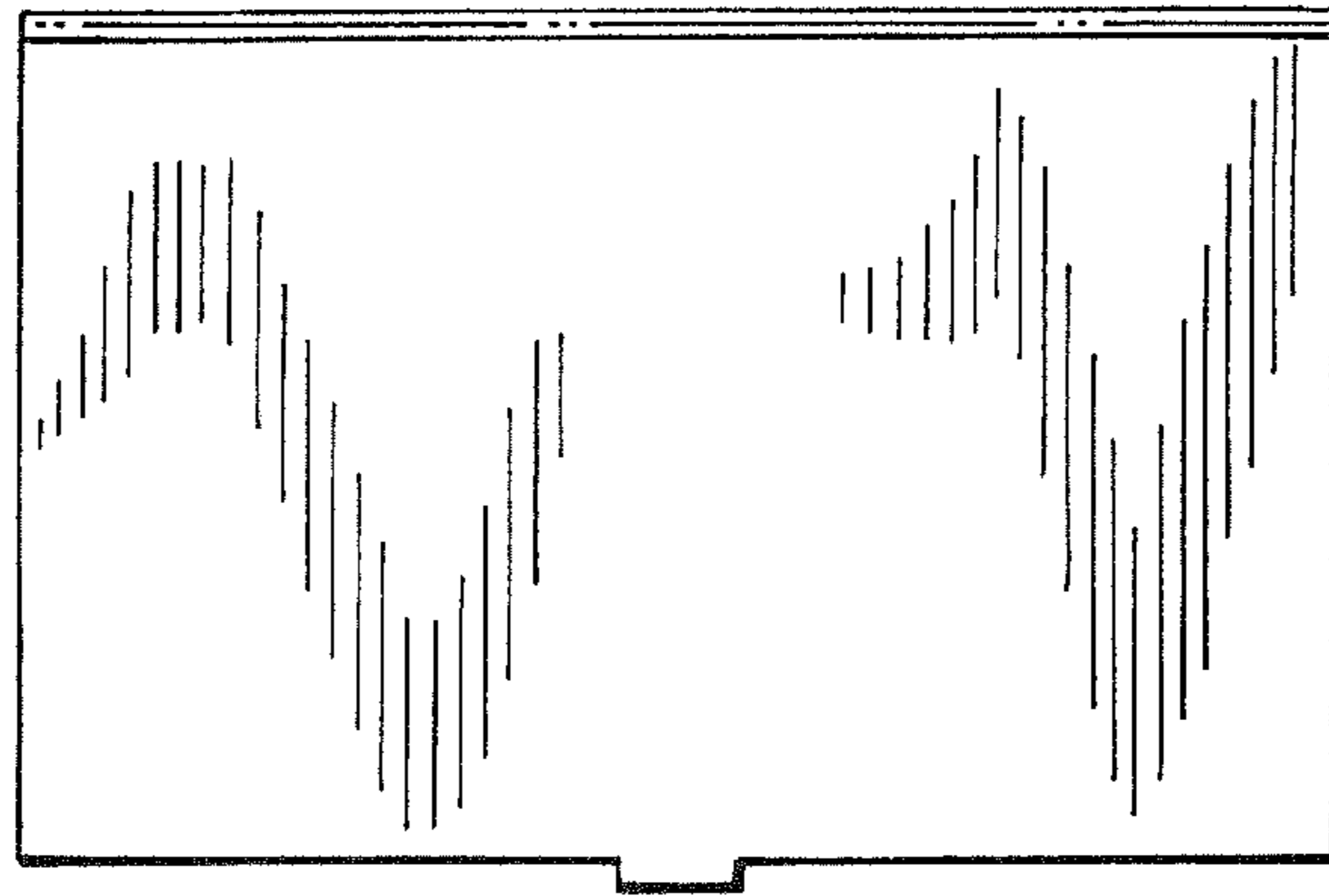


FIG.4



FIG.5

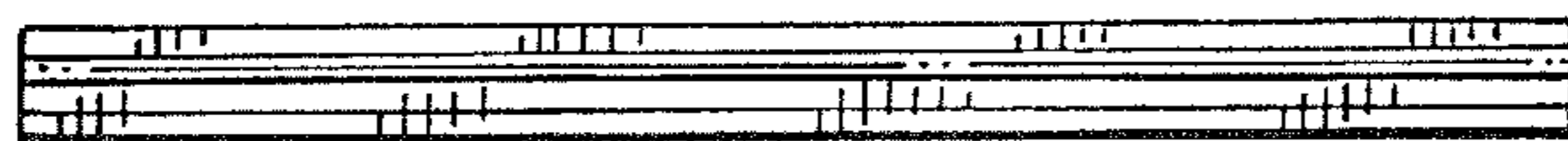
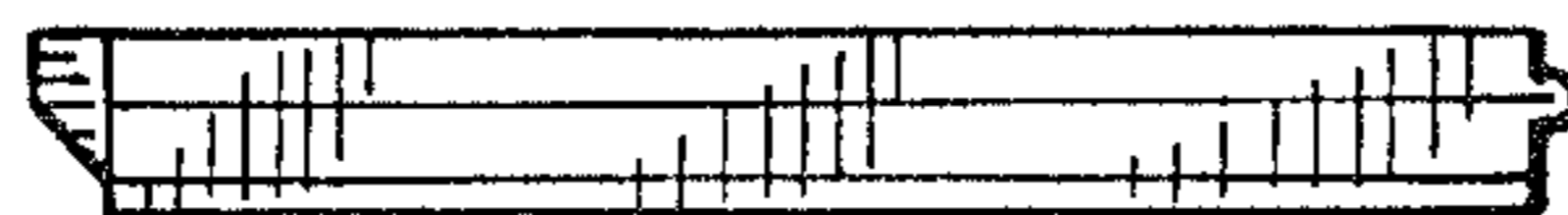


FIG.6

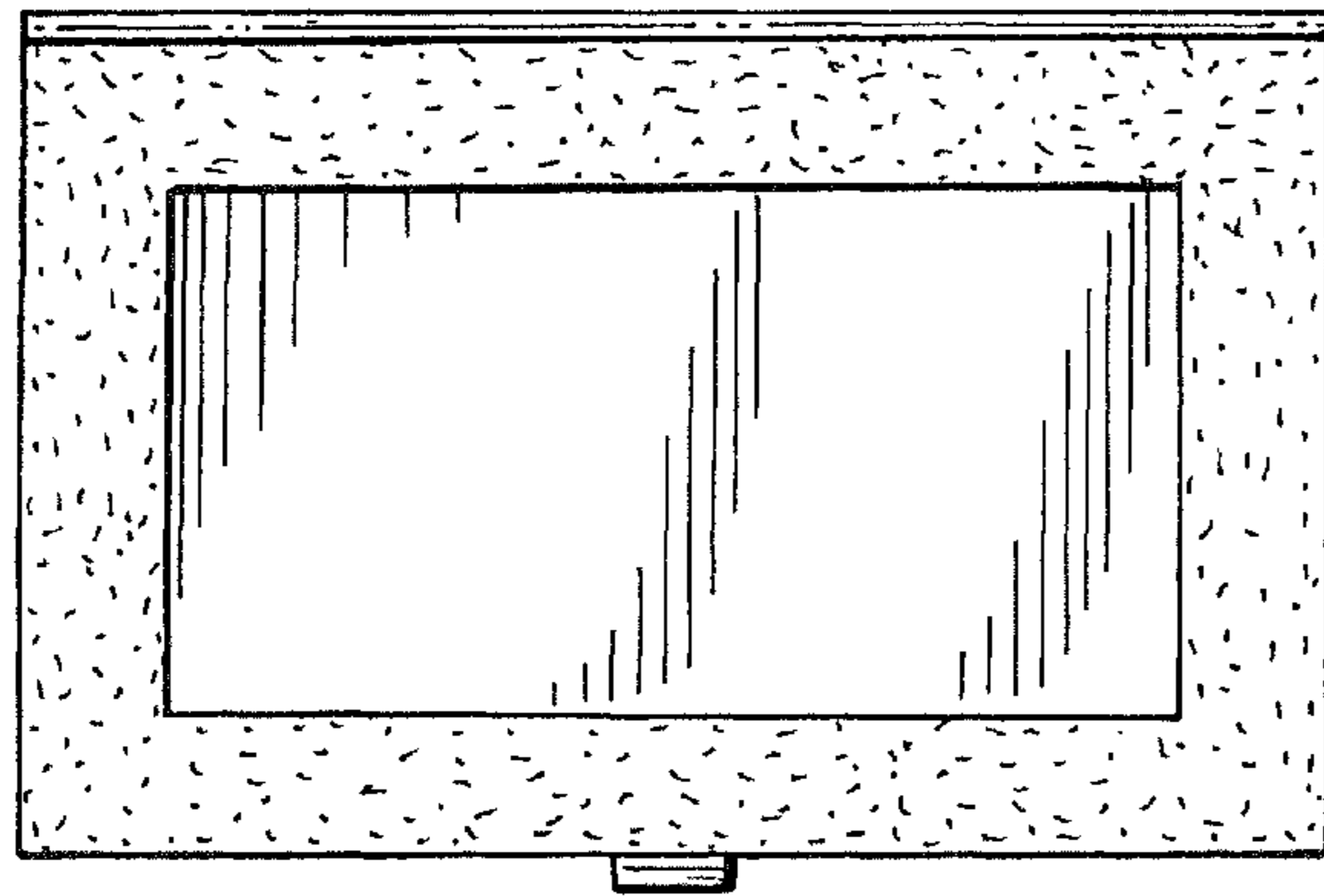


FIG. 7

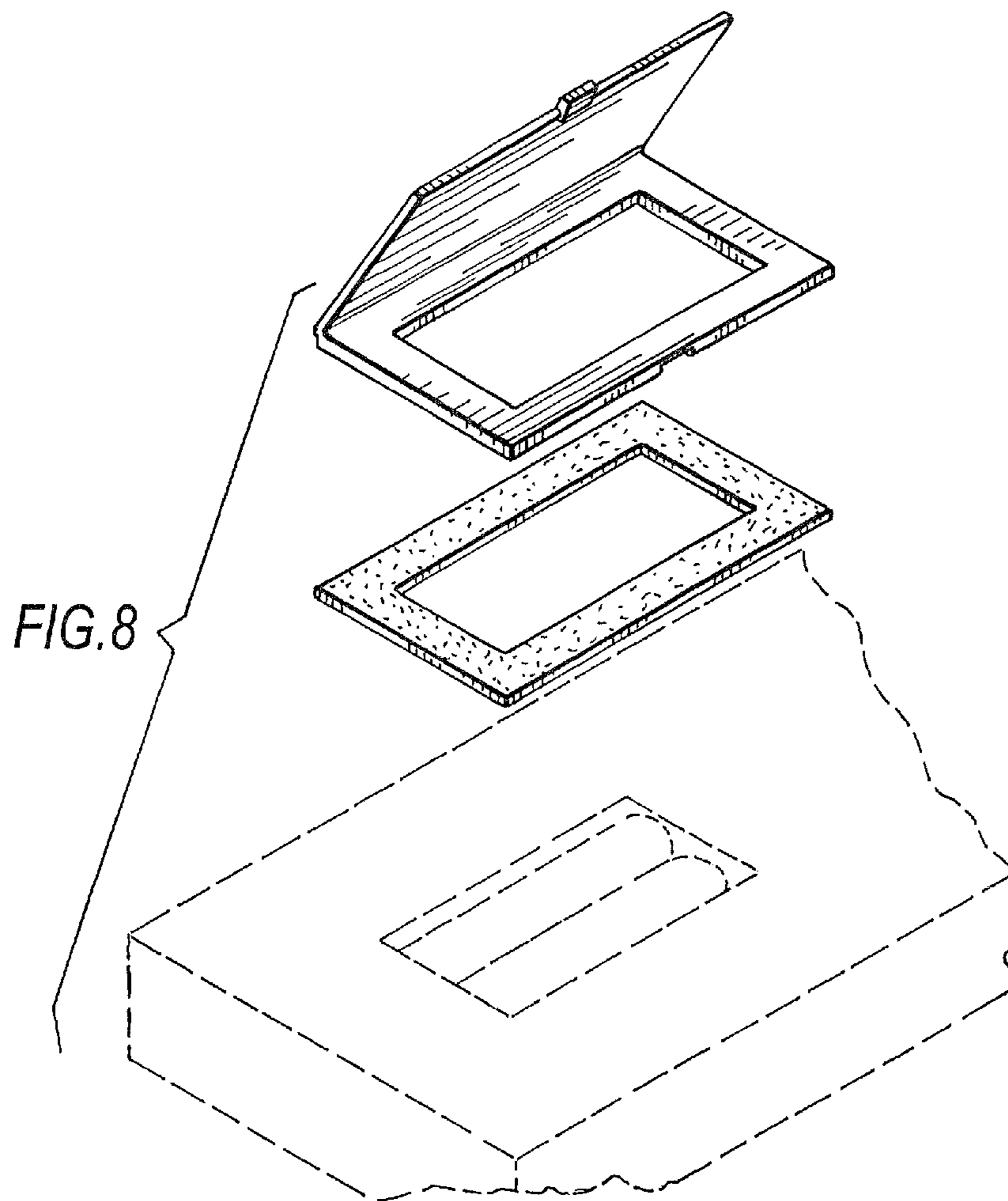


FIG. 8