



US00D669867S

(12) **United States Design Patent**
Gilbert et al.

(10) **Patent No.:** **US D669,867 S**

(45) **Date of Patent:** **** Oct. 30, 2012**

(54) **CONTROL PANEL**

(75) Inventors: **Christopher Jon Gilbert**, Moreland Hills, OH (US); **Judy Riley**, Valley City, OH (US); **Johan Liden**, New York, NY (US); **Yifei Zha**, Astoria, NY (US); **Jinmu David Staddon**, Brooklyn, NY (US)

(73) Assignee: **Moen Incorporated**, North Olmsted, OH (US)

(**) Term: **14 Years**

(21) Appl. No.: **29/389,090**

(22) Filed: **Apr. 6, 2011**

(51) **LOC (9) Cl.** **13-03**

(52) **U.S. Cl.** **D13/162; D10/49; D23/249**

(58) **Field of Classification Search** D13/162, D13/164, 177; D10/49, 50, 96; D23/249, D23/254, 304; 4/559, 597, 675-678; 16/110.1, 16/441; 137/360, 801; 200/333, 336, 341; 236/12.1, 12.11, 12.12; 251/129.01; 700/17
See application file for complete search history.

(56) **References Cited**

U.S. PATENT DOCUMENTS

D285,107 S	8/1986	Ogilvie	
D285,108 S	8/1986	Ogilvie	
D287,995 S	1/1987	Ferguson	
D288,921 S *	3/1987	Peck	D13/177
4,682,728 A *	7/1987	Oudenhoven et al.	236/12.12
D293,599 S	1/1988	Bergmann et al.	
D294,168 S	2/1988	Fabian	
D303,831 S	10/1989	Ramsey et al.	
4,901,915 A *	2/1990	Sakakibara	236/12.12
4,923,116 A *	5/1990	Homan	236/12.12
D312,974 S *	12/1990	Conner et al.	D10/50
D330,754 S	11/1992	Gottwald	
D331,099 S	11/1992	Gottwald	

D332,826 S	1/1993	Rosenbaum
D333,698 S	3/1993	Gottwald
D333,864 S	3/1993	Chretien
D337,278 S	7/1993	Arias

(Continued)

OTHER PUBLICATIONS

Grohe Ondus Control Panels, control panels shown in the cited document were publicly available more than one year prior to Apr. 6, 2011, 2 pages.

(Continued)

Primary Examiner — Selina Sikder

(74) *Attorney, Agent, or Firm* — Calfee, Halter & Griswold LLP

(57) **CLAIM**

The ornamental design for a control panel, as shown and described.

DESCRIPTION

FIG. 1 is a perspective view of a first embodiment of a control panel of the new design;

FIG. 2 is a front elevational view of the control panel of FIG. 1;

FIG. 3 is a left side elevational view of the control panel of FIG. 1, the right side elevational view being a mirror image thereof;

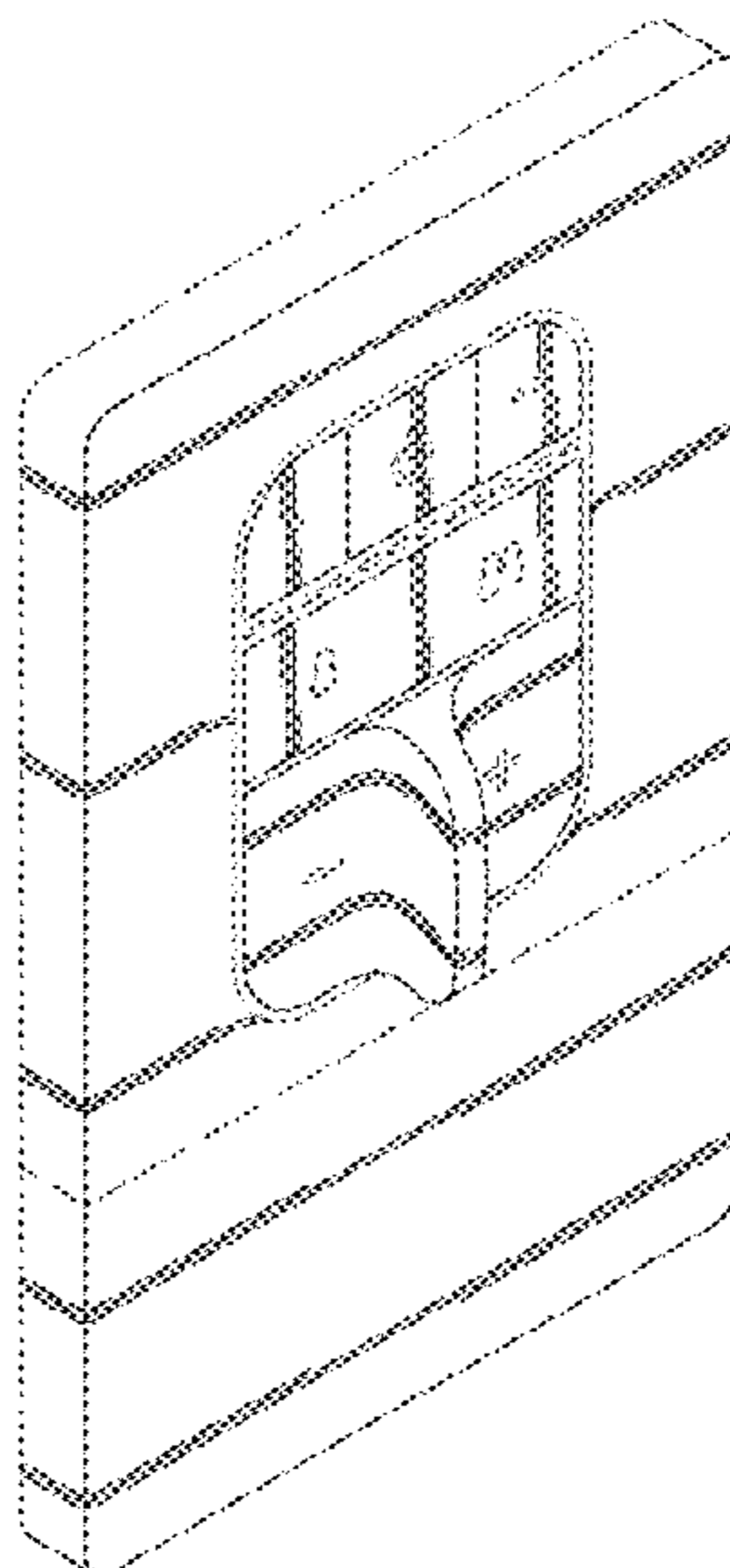
FIG. 4 is a top plan view of the control panel of FIG. 1;

FIG. 5 is a perspective view of a second embodiment of a control panel of the new design; and,

FIG. 6 is a front elevational view of the control panel of FIG. 5, the left side elevational view being the same as the left side elevational view of FIG. 3, and the right side elevational view being a mirror image of the left side elevational view of FIG. 3.

The portions of the Figures shown in broken lines are not part of the claimed design and are for illustration only.

1 Claim, 4 Drawing Sheets



US D669,867 S

Page 2

U.S. PATENT DOCUMENTS

D344,901 S 3/1994 Conforti
D349,151 S 7/1994 Fernandez
5,358,177 A * 10/1994 Cashmore 236/12.12
D355,705 S 2/1995 Moineau et al.
D356,511 S 3/1995 Zeutzus
D387,332 S * 12/1997 Harrison D13/162
D400,652 S 11/1998 Hart et al.
D403,750 S 1/1999 Fabian
5,944,255 A * 8/1999 Shirmohamadi 236/12.12
D416,985 S 11/1999 Green et al.
5,979,776 A * 11/1999 Williams 236/12.12
6,029,094 A * 2/2000 Diffut 700/32
D427,290 S 6/2000 Milrud et al.
D427,291 S 6/2000 Milrud et al.
D428,642 S 7/2000 Milrud et al.
D430,112 S * 8/2000 Krick et al. D13/162
D431,639 S 10/2000 Green et al.
D433,487 S 11/2000 Milrud et al.
D433,488 S 11/2000 Milrud et al.
D433,489 S 11/2000 Burns et al.
D433,737 S 11/2000 Milrud et al.
D433,740 S 11/2000 Milrud et al.
D434,119 S 11/2000 Milrud et al.
D435,288 S 12/2000 Milrud et al.
D441,846 S 5/2001 Mullenmeister
D443,032 S 5/2001 Milrud et al.
D443,036 S 5/2001 Burns et al.
D443,037 S 5/2001 Burns et al.
D443,341 S 6/2001 Burns et al.
6,250,558 B1 * 6/2001 Dogre Cuevas 236/12.12
D445,487 S 7/2001 Burns et al.
D454,176 S 3/2002 Lord
D455,199 S 4/2002 Lenart et al.
D458,348 S 6/2002 Mullenmeister
D464,713 S 10/2002 Lenart et al.
D469,164 S 1/2003 Lim
D469,165 S 1/2003 Lim
D476,399 S 6/2003 Panis et al.
D476,722 S 7/2003 Panis et al.
D477,058 S 7/2003 Panis et al.
D484,575 S 12/2003 Graves et al.
6,705,534 B1 * 3/2004 Mueller 236/12.12
D496,435 S 9/2004 Otero
D507,633 S 7/2005 Spangler
6,925,661 B1 * 8/2005 Anger 4/559
D520,606 S 5/2006 Hoernig
D521,116 S 5/2006 Hoernig
D522,104 S 5/2006 Hoernig
7,046,163 B2 * 5/2006 Macey 340/12.5
D522,633 S 6/2006 Hoernig

D522,634 S 6/2006 Hoernig
D522,635 S 6/2006 Hoernig
D523,938 S 6/2006 Hoernig
D532,087 S 11/2006 Citterio
D532,487 S 11/2006 Citterio
D532,874 S 11/2006 Hoernig
D539,875 S 4/2007 Starck
D540,436 S 4/2007 Massaud
D542,384 S 5/2007 Starck
D542,385 S 5/2007 Haug et al.
D563,908 S * 3/2008 Kohler et al. D13/171
D575,647 S 8/2008 Lobermeier et al.
D576,708 S 9/2008 Citterio
D577,098 S 9/2008 Gilbert
D579,087 S 10/2008 Daunter et al.
D579,529 S 10/2008 Bickler et al.
D579,530 S 10/2008 Bickler et al.
D589,907 S * 4/2009 Kobayashi D13/171
D591,182 S 4/2009 Schoenherr et al.
D596,714 S 7/2009 Starck
D597,179 S 7/2009 Schoenherr et al.
D597,180 S 7/2009 Starck
D598,074 S 8/2009 Starck
D598,522 S 8/2009 Schoenherr et al.
D609,310 S 2/2010 Urquiola
D609,311 S 2/2010 Schoenherr et al.
D610,238 S 2/2010 Urquiola
D613,626 S 4/2010 Wang
D613,627 S * 4/2010 Wang D10/50
D615,559 S 5/2010 Stimpson et al.
D615,624 S 5/2010 Allard et al.
D622,358 S 8/2010 Bouroullec et al.
D622,359 S 8/2010 Bouroullec et al.
D622,360 S 8/2010 Bouroullec et al.
D628,678 S * 12/2010 Allard et al. D23/250
7,889,187 B2 * 2/2011 Freier et al. 345/184
2008/0000997 A1 * 1/2008 Smith 236/12.1
2009/0119832 A1 * 5/2009 Conroy 4/623

OTHER PUBLICATIONS

Kohler DTV Control Panel, control panel shown in the cited document was publicly available more than one year prior to Apr. 6, 2011, 1 page.

Moen ioDigital Control Panels, control panels shown in the cited document were publicly available more than one year prior to Apr. 6, 2011, 2 pages.

Mira Pixel and Mira Vier Control Panels, control panels shown in the cited document were publicly available prior to Apr. 6, 2011, 2 pages.

* cited by examiner

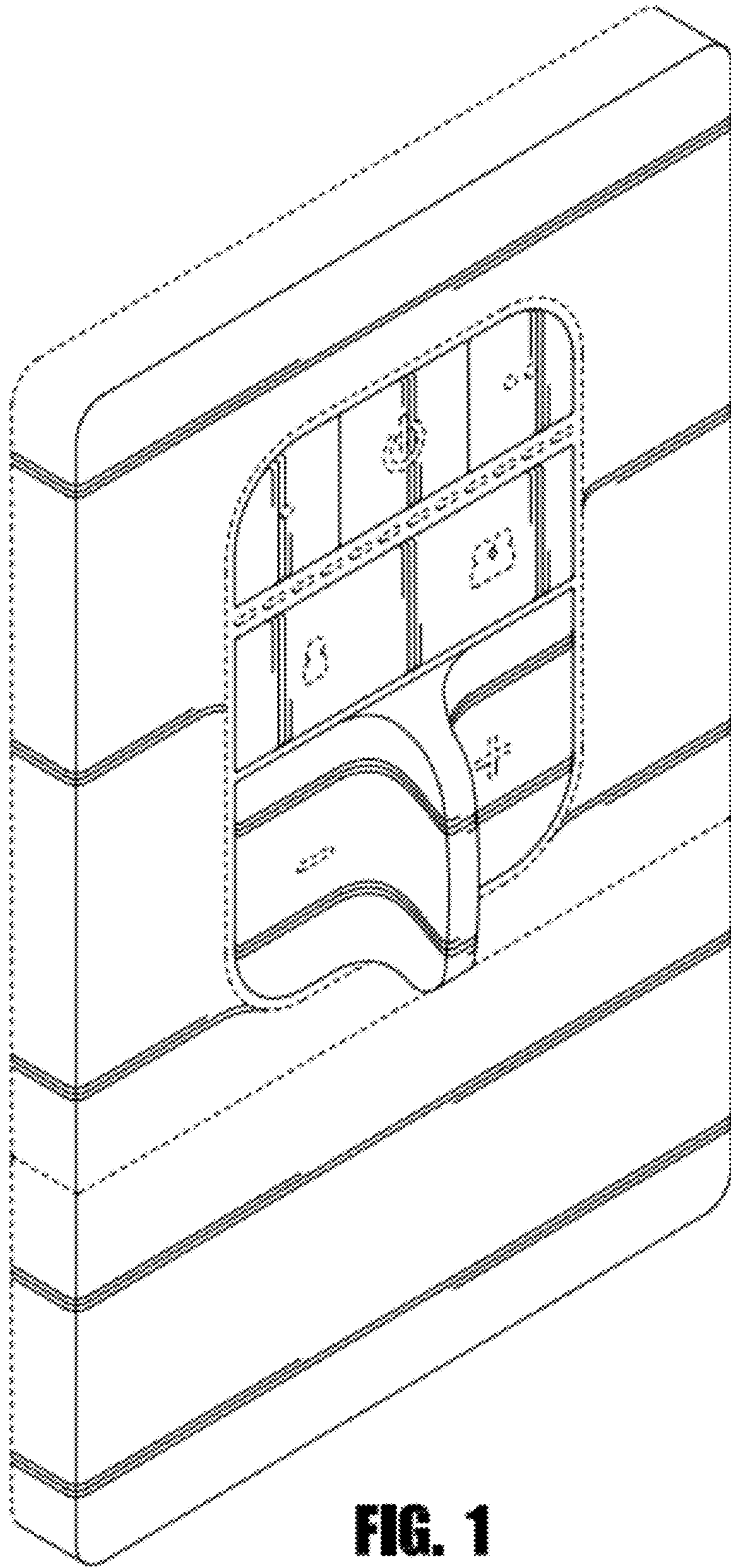


FIG. 1

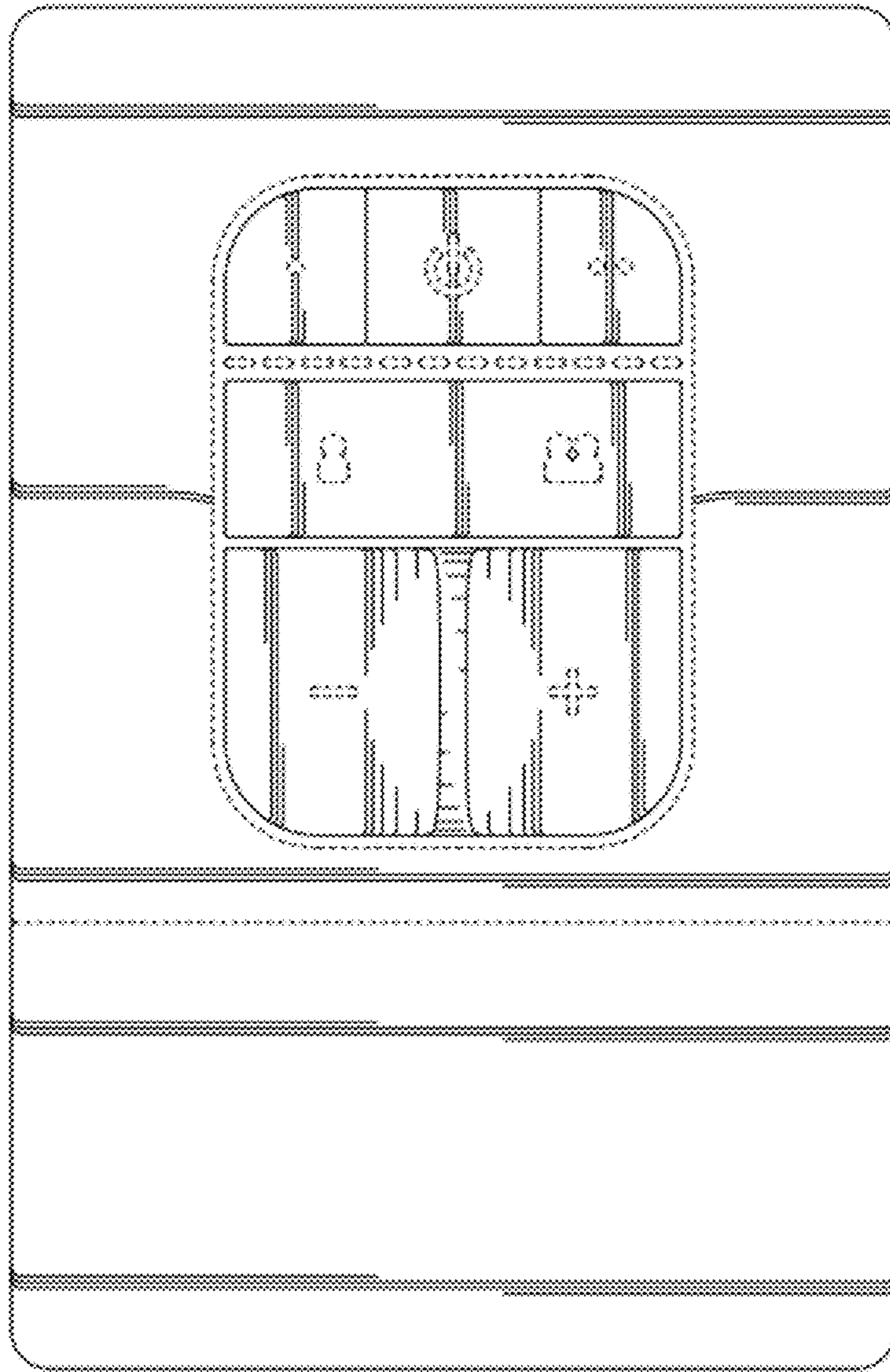


FIG. 2

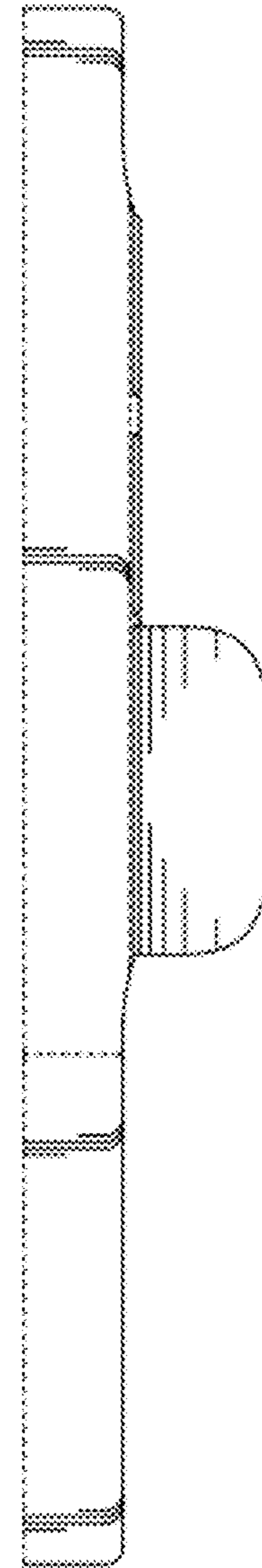


FIG. 3

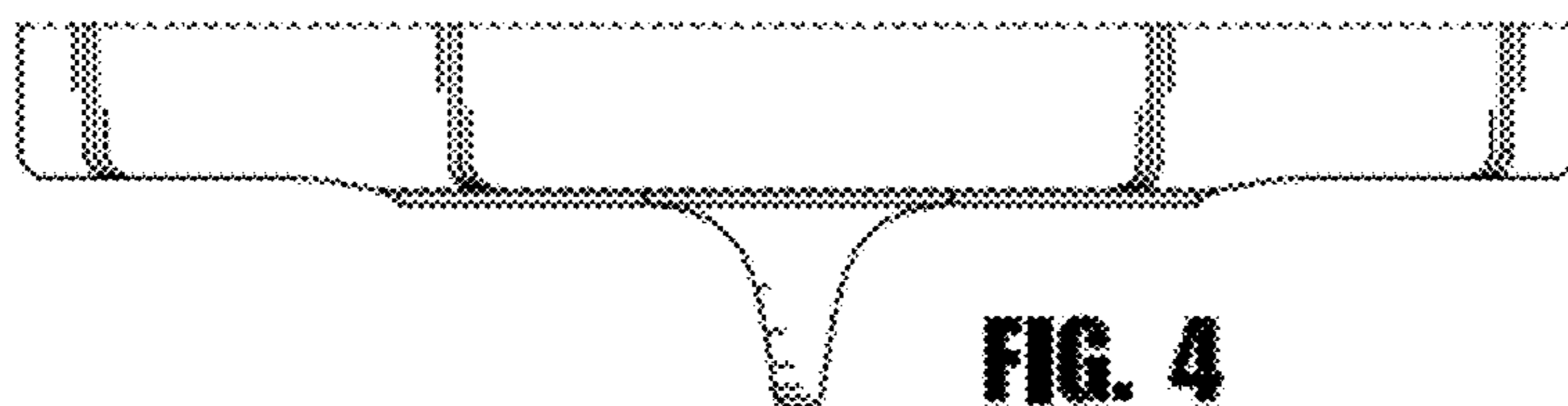


FIG. 4

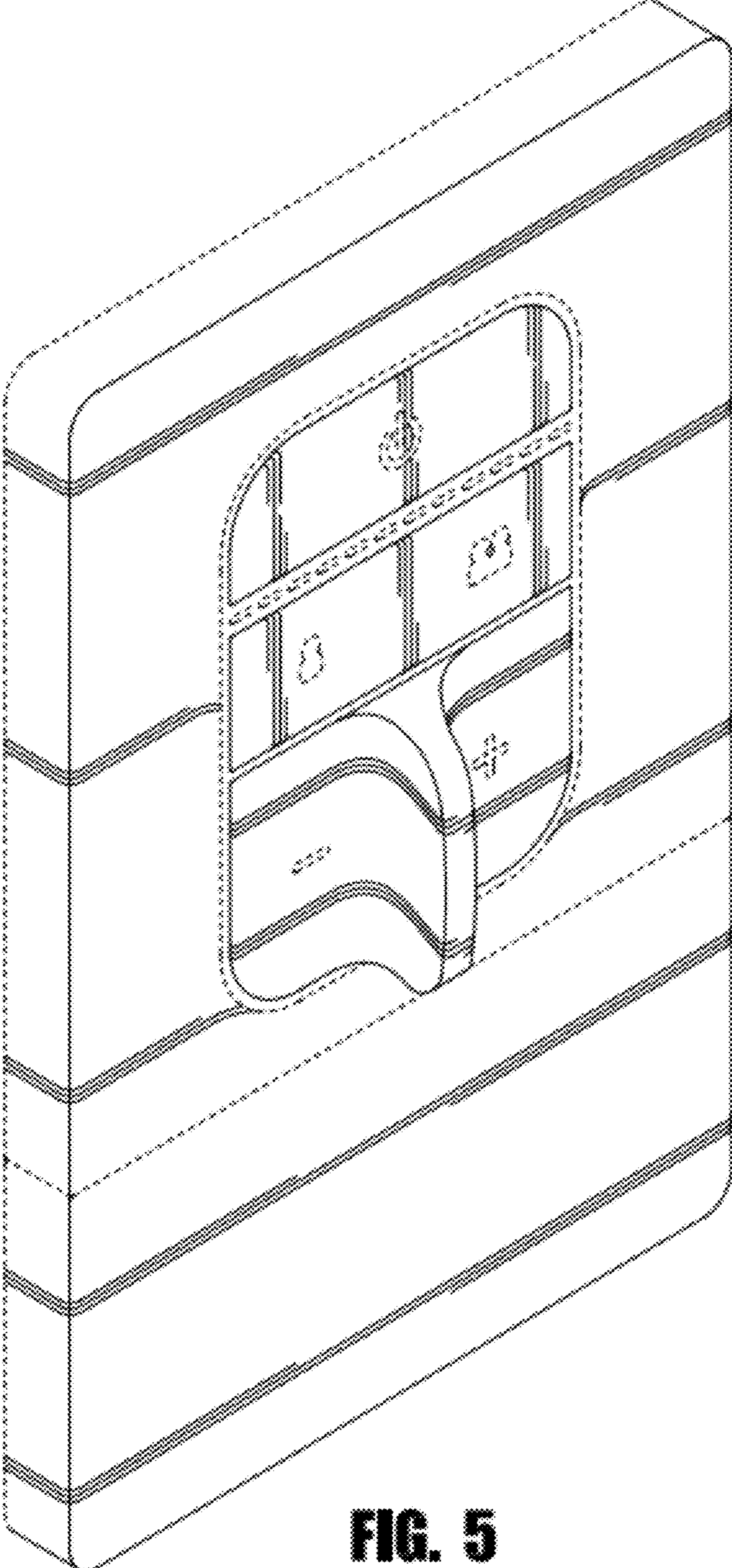


FIG. 5

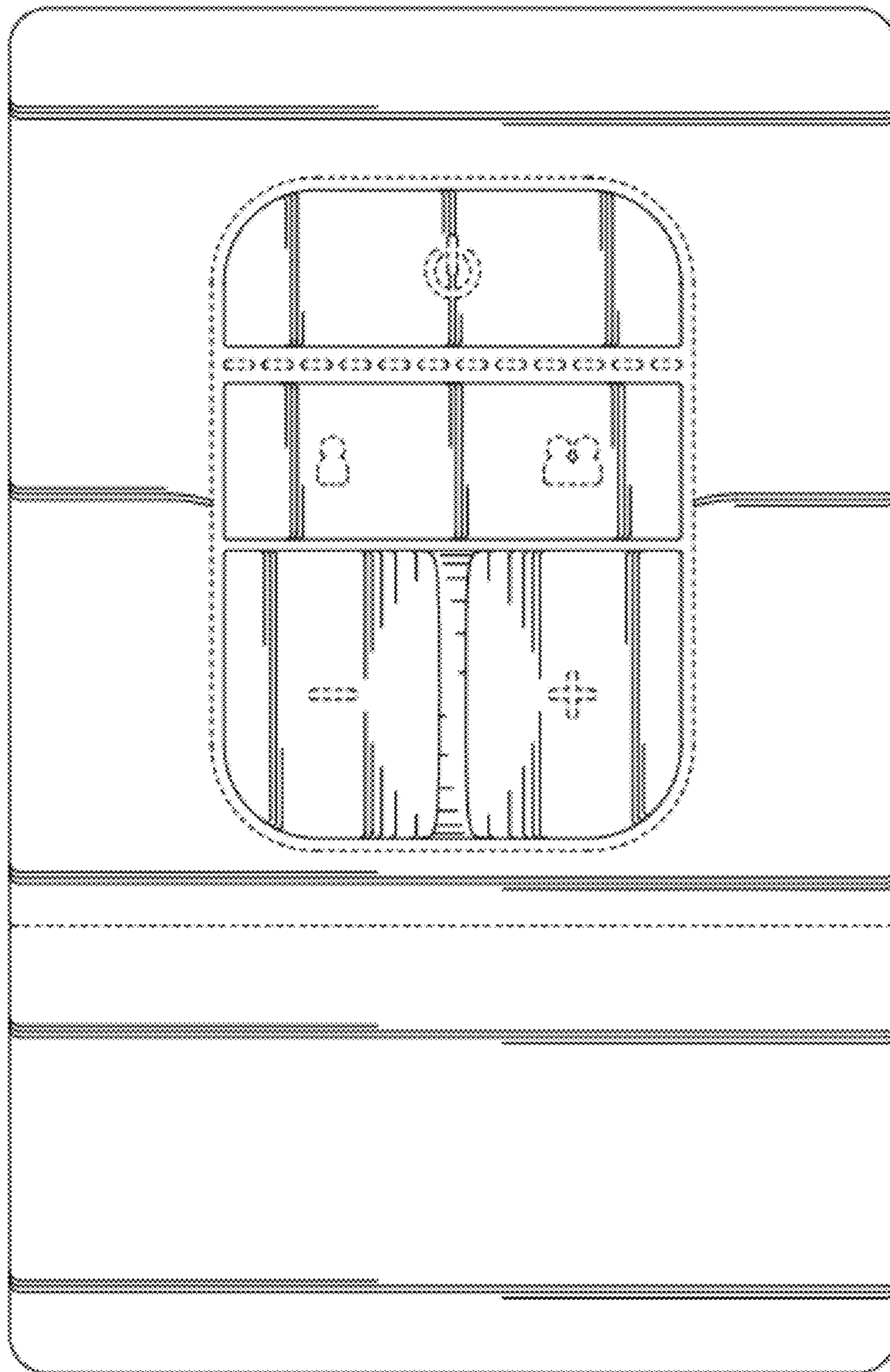


FIG. 6