



US00D669865S

(12) **United States Design Patent**
Gilbert et al.

(10) **Patent No.:** **US D669,865 S**
(45) **Date of Patent:** **** Oct. 30, 2012**

(54) **CONTROL PANEL**

(75) Inventors: **Christopher Jon Gilbert**, Moreland Hills, OH (US); **Judy Riley**, Valley City, OH (US); **Johan Liden**, New York, NY (US); **Yifei Zha**, Astoria, NY (US); **Jinmu David Staddon**, Brooklyn, NY (US)

(73) Assignee: **Moen Incorporated**, North Olmsted, OH (US)

(**) Term: **14 Years**

(21) Appl. No.: **29/389,084**

(22) Filed: **Apr. 6, 2011**

(51) **LOC (9) Cl.** **13-03**

(52) **U.S. Cl.** **D13/162; D10/49; D23/249**

(58) **Field of Classification Search** D13/162, D13/164, 177; D10/49, 50, 96; D23/249, D23/254, 304; 4/559, 597, 675-678; 16/110.1, 16/441; 137/360, 801; 200/333, 336, 341; 236/12.1, 12.11, 12.12; 251/129.01; 700/17
See application file for complete search history.

(56) **References Cited**

U.S. PATENT DOCUMENTS

D285,107 S	8/1986	Ogilvie	
D285,108 S	8/1986	Ogilvie	
D287,995 S	1/1987	Ferguson	
D288,921 S *	3/1987	Peck	D13/177
4,682,728 A *	7/1987	Oudenhoven et al.	236/12.12
D293,599 S	1/1988	Bergmann et al.	
D294,168 S	2/1988	Fabian	
D303,831 S	10/1989	Ramsey et al.	
4,901,915 A *	2/1990	Sakakibara	236/12.12
4,923,116 A *	5/1990	Homan	236/12.12
D312,974 S *	12/1990	Conner et al.	D10/50
D330,754 S	11/1992	Gottwald	
D331,099 S	11/1992	Gottwald	
D332,826 S	1/1993	Rosenbaum	

D333,698 S	3/1993	Gottwald
D333,864 S	3/1993	Chretien
D337,278 S	7/1993	Arias
D344,901 S	3/1994	Conforti
D349,151 S	7/1994	Fernandez

(Continued)

OTHER PUBLICATIONS

Grohe Ondus Control Panels, control panels shown in the cited document were publicly available more than one year prior to Apr. 6, 2011, 2 pages.

(Continued)

Primary Examiner — Selina Sikder

(74) *Attorney, Agent, or Firm* — Calfee, Halter & Griswold LLP

(57) **CLAIM**

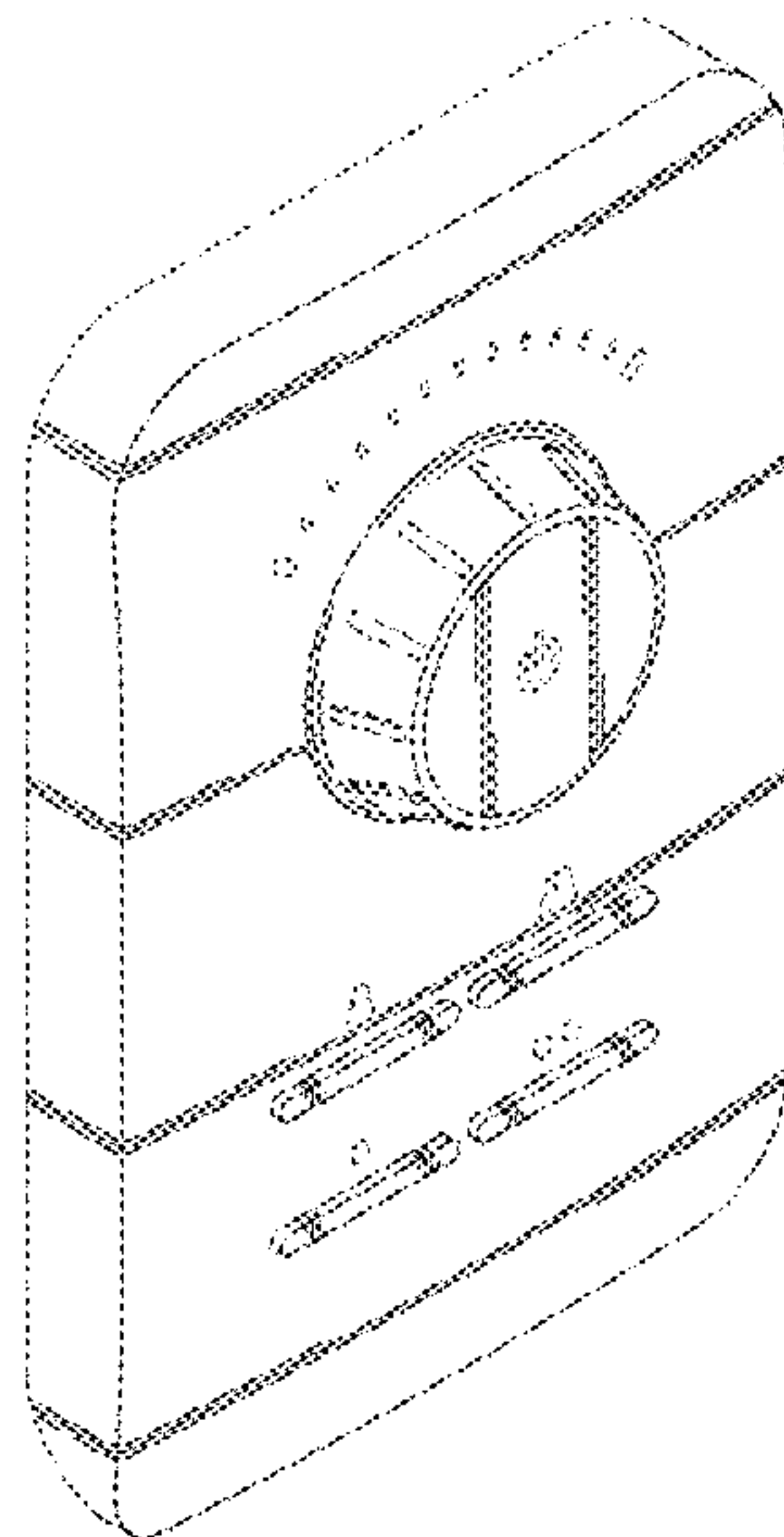
The ornamental design for a control panel, as shown and described.

DESCRIPTION

FIG. 1 is a perspective view of a first embodiment of a control panel of the new design;
FIG. 2 is a front elevational view of the control panel of FIG. 1;
FIG. 3 is a left side elevational view of the control panel of FIG. 1, the right side elevational view being a mirror image thereof;
FIG. 4 is a top plan view of the control panel of FIG. 1;
FIG. 5 is a perspective view of a second embodiment of a control panel of the new design; and,
FIG. 6 is a front elevational view of the control panel of FIG. 5, the top plan view being the same as the top plan view of FIG. 4.

The portions of the Figures shown in broken lines are not part of the claimed design and are for illustration only.

1 Claim, 4 Drawing Sheets



US D669,865 S

Page 2

U.S. PATENT DOCUMENTS

5,358,177	A *	10/1994	Cashmore	236/12.12	
D355,705	S	2/1995	Moineau et al.		
D356,511	S	3/1995	Zeutzius		
D387,332	S *	12/1997	Harrison	D13/162	
D400,652	S	11/1998	Hart et al.		
D403,750	S	1/1999	Fabian		
5,944,255	A *	8/1999	Shirmohamadi	236/12.12	
D416,985	S	11/1999	Green et al.		
5,979,776	A *	11/1999	Williams	236/12.12	
6,029,094	A *	2/2000	Diffut	700/32	
D427,290	S	6/2000	Milrud et al.		
D427,291	S	6/2000	Milrud et al.		
D428,642	S	7/2000	Milrud et al.		
D430,112	S *	8/2000	Krick et al.	D13/162	
D431,639	S	10/2000	Green et al.		
D433,487	S	11/2000	Milrud et al.		
D433,488	S	11/2000	Milrud et al.		
D433,489	S	11/2000	Burns et al.		
D433,737	S	11/2000	Milrud et al.		
D433,740	S	11/2000	Milrud et al.		
D434,119	S	11/2000	Milrud et al.		
D435,288	S	12/2000	Milrud et al.		
D441,846	S	5/2001	Mullenmeister		
D443,032	S	5/2001	Milrud et al.		
D443,036	S	5/2001	Burns et al.		
D443,037	S	5/2001	Burns et al.		
D443,341	S	6/2001	Burns et al.		
6,250,558	B1 *	6/2001	Dogre Cuevas	236/12.12	
D445,487	S	7/2001	Burns et al.		
D454,176	S	3/2002	Lord		
D455,199	S	4/2002	Lenart et al.		
D458,348	S	6/2002	Mullenmeister		
D464,713	S	10/2002	Lenart et al.		
D469,164	S	1/2003	Lim		
D469,165	S	1/2003	Lim		
D476,399	S	6/2003	Panis et al.		
D476,722	S	7/2003	Panis et al.		
D477,058	S	7/2003	Panis et al.		
D484,575	S	12/2003	Graves et al.		
6,705,534	B1 *	3/2004	Mueller	236/12.12	
D496,435	S	9/2004	Otero		
D507,633	S	7/2005	Spangler		
6,925,661	B1 *	8/2005	Anger	4/559	
D520,606	S	5/2006	Hoernig		
D521,116	S	5/2006	Hoernig		
D522,104	S	5/2006	Hoernig		
7,046,163	B2 *	5/2006	Macey	340/12.5	
D522,633	S	6/2006	Hoernig		
D522,634	S	6/2006	Hoernig		
D522,635	S	6/2006	Hoernig		
D523,938	S	6/2006	Hoernig		
D532,087	S	11/2006	Citterio		
D532,487	S	11/2006	Citterio		
D532,874	S	11/2006	Hoernig		
D539,875	S	4/2007	Starck		
D540,436	S	4/2007	Massaud		
D542,384	S	5/2007	Starck		
D542,385	S	5/2007	Haug et al.		
D563,908	S *	3/2008	Kohler et al.	D13/171	
D575,647	S	8/2008	Lobermeier et al.		
D576,708	S	9/2008	Citterio		
D577,098	S	9/2008	Gilbert		
D579,087	S	10/2008	Daunter et al.		
D579,529	S	10/2008	Bickler et al.		
D579,530	S	10/2008	Bickler et al.		
D589,907	S *	4/2009	Kobayashi	D13/171	
D591,182	S	4/2009	Schoenherr et al.		
D596,714	S	7/2009	Starck		
D597,179	S	7/2009	Schoenherr et al.		
D597,180	S	7/2009	Starck		
D598,074	S	8/2009	Starck		
D598,522	S	8/2009	Schoenherr et al.		
D609,310	S	2/2010	Urquiola		
D609,311	S	2/2010	Schoenherr et al.		
D610,238	S	2/2010	Urquiola		
D613,626	S	4/2010	Wang		
D613,627	S *	4/2010	Wang	D10/50	
D615,559	S	5/2010	Stimpson et al.		
D615,624	S	5/2010	Allard et al.		
D622,358	S	8/2010	Bouroullec et al.		
D622,359	S	8/2010	Bouroullec et al.		
D622,360	S	8/2010	Bouroullec et al.		
D628,678	S *	12/2010	Allard et al.	D23/250	
7,889,187	B2 *	2/2011	Freier et al.	345/184	
2008/0000997	A1 *	1/2008	Smith	236/12.1	
2009/0119832	A1 *	5/2009	Conroy	4/623	

OTHER PUBLICATIONS

Kohler DTV Control Panel, control panel shown in the cited document was publicly available more than one year prior to Apr. 6, 2011, 1 page.

Moen ioDigital Control Panels, control panels shown in the cited document were publicly available more than one year prior to Apr. 6, 2011, 2 pages.

Mira Pixel and Mira Vier Control Panels, control panels shown in the cited document were publicly available prior to Apr. 6, 2011, 2 pages.

* cited by examiner

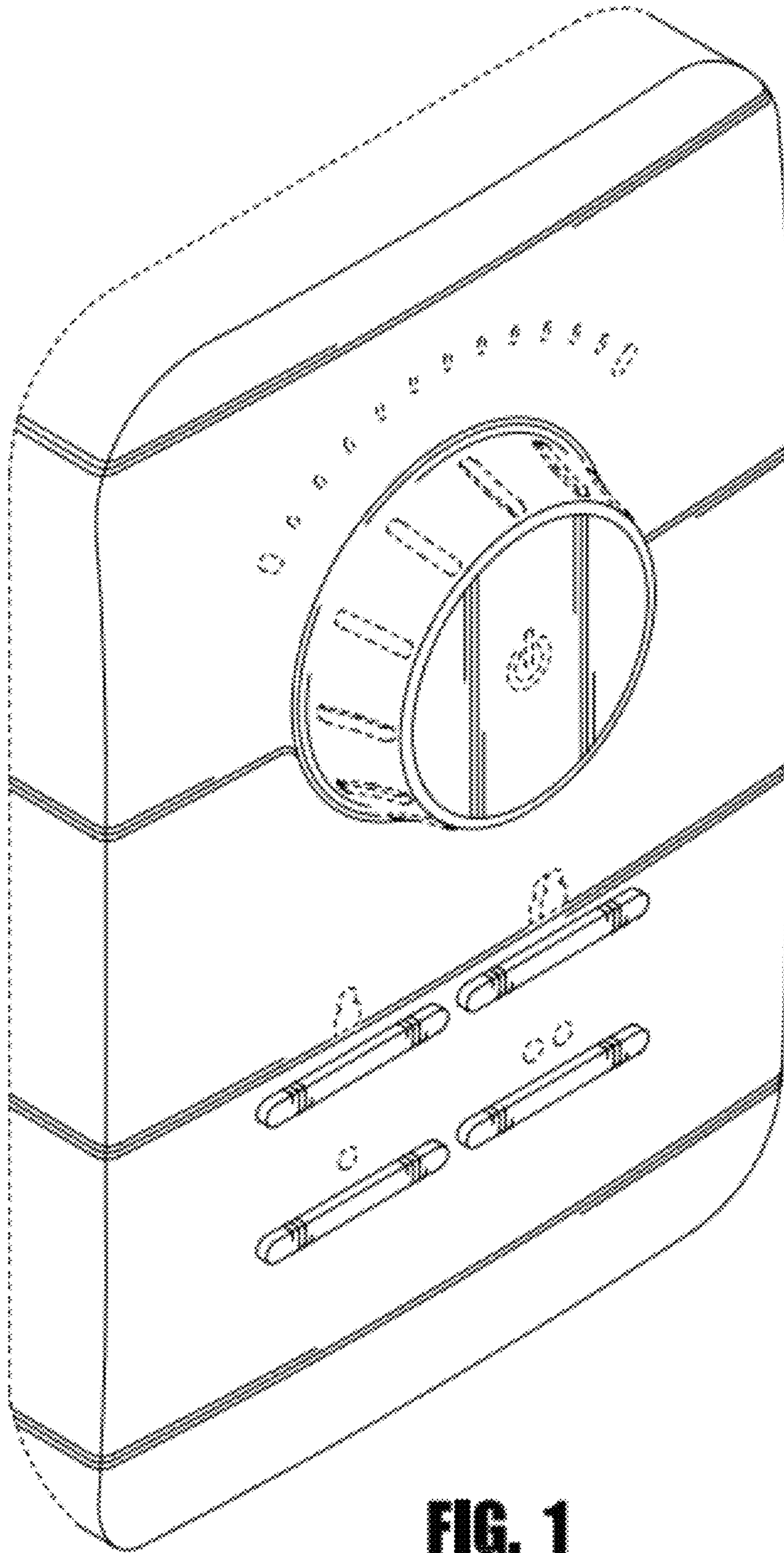


FIG. 1

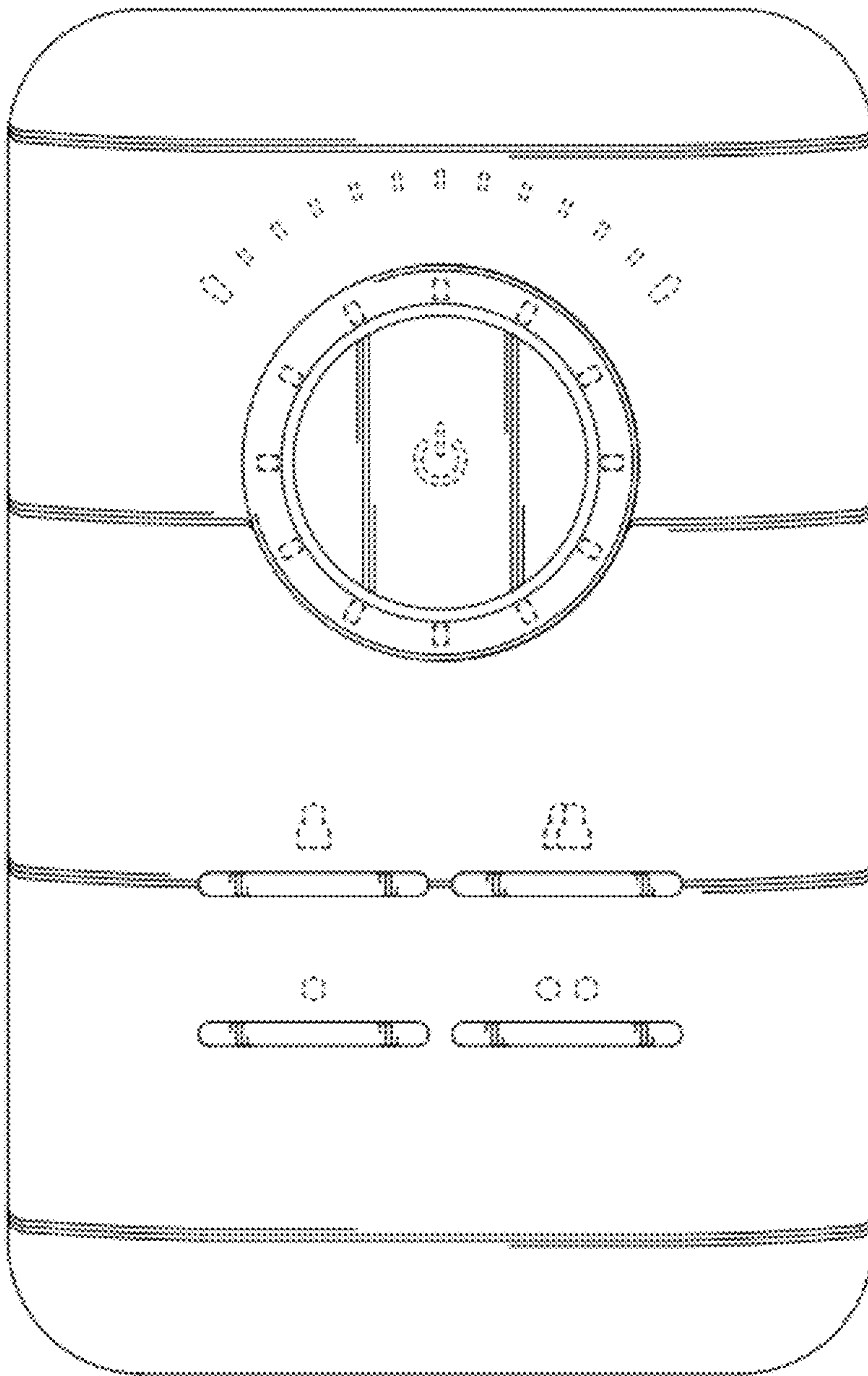


FIG. 2

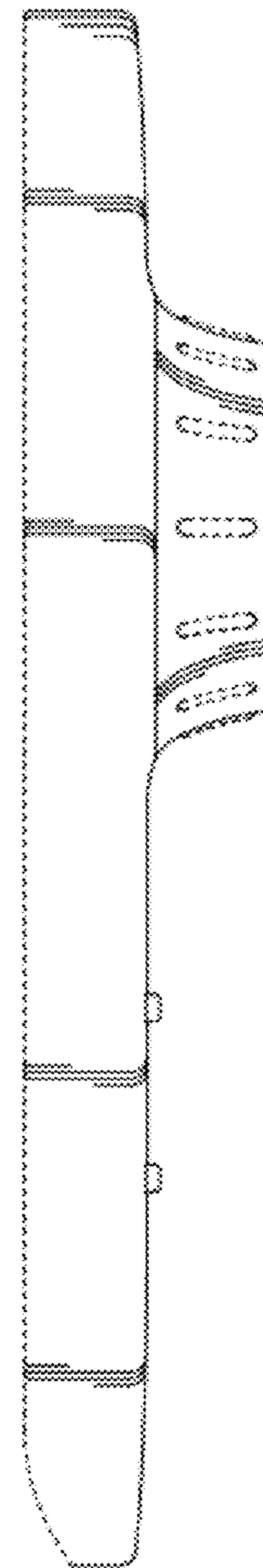


FIG. 3

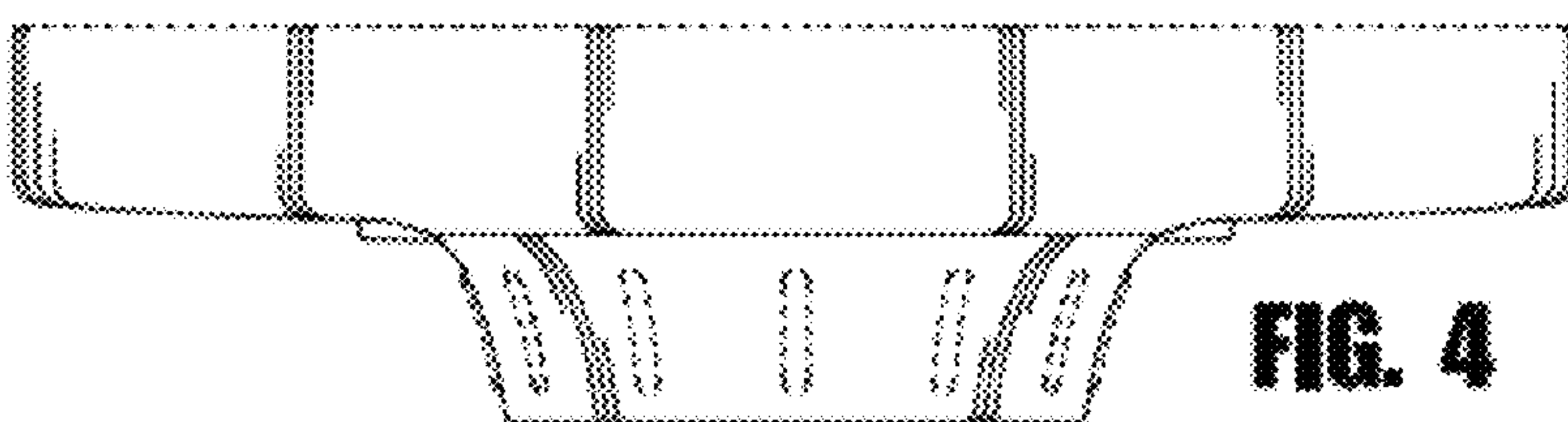


FIG. 4

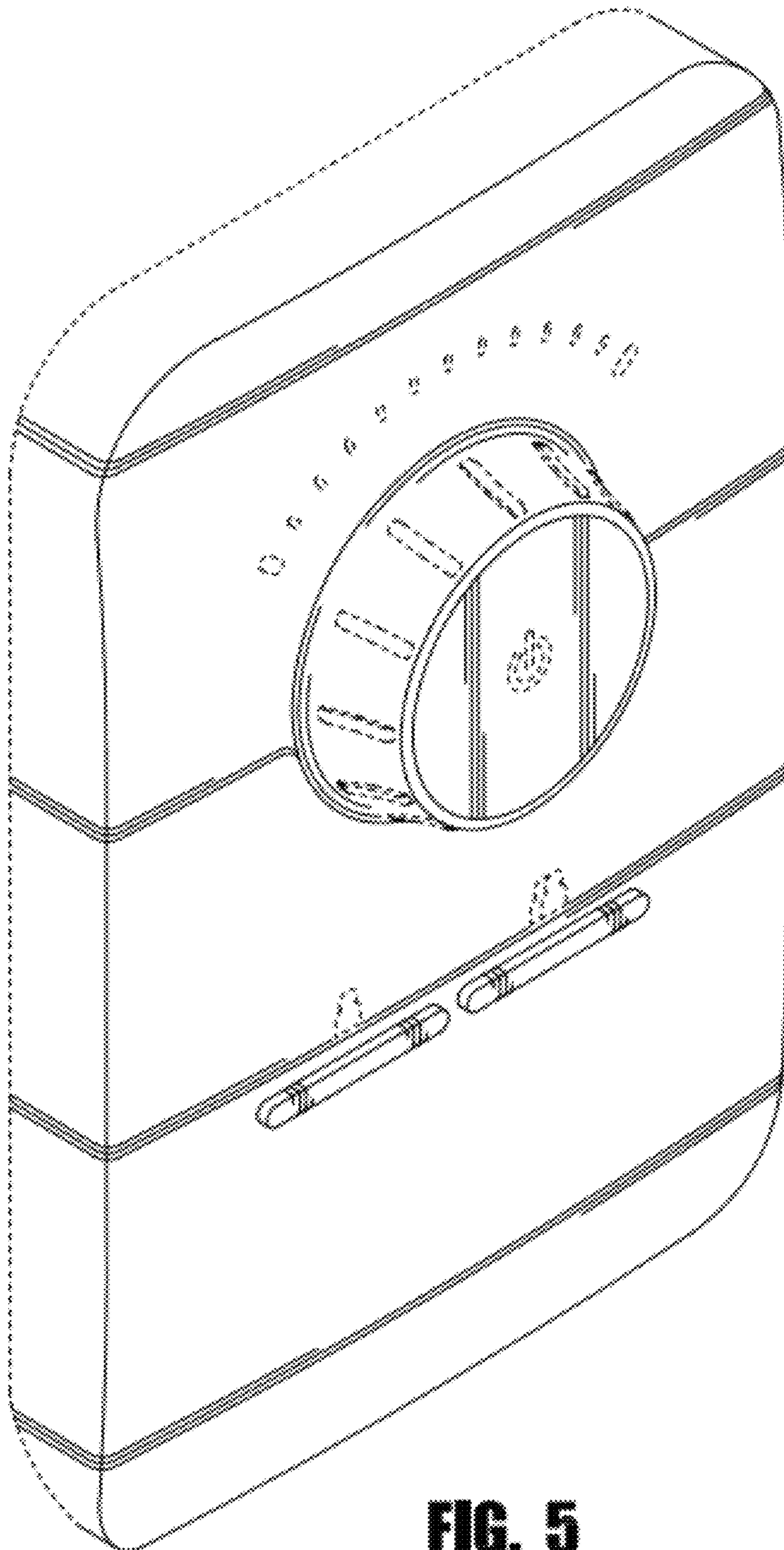


FIG. 5

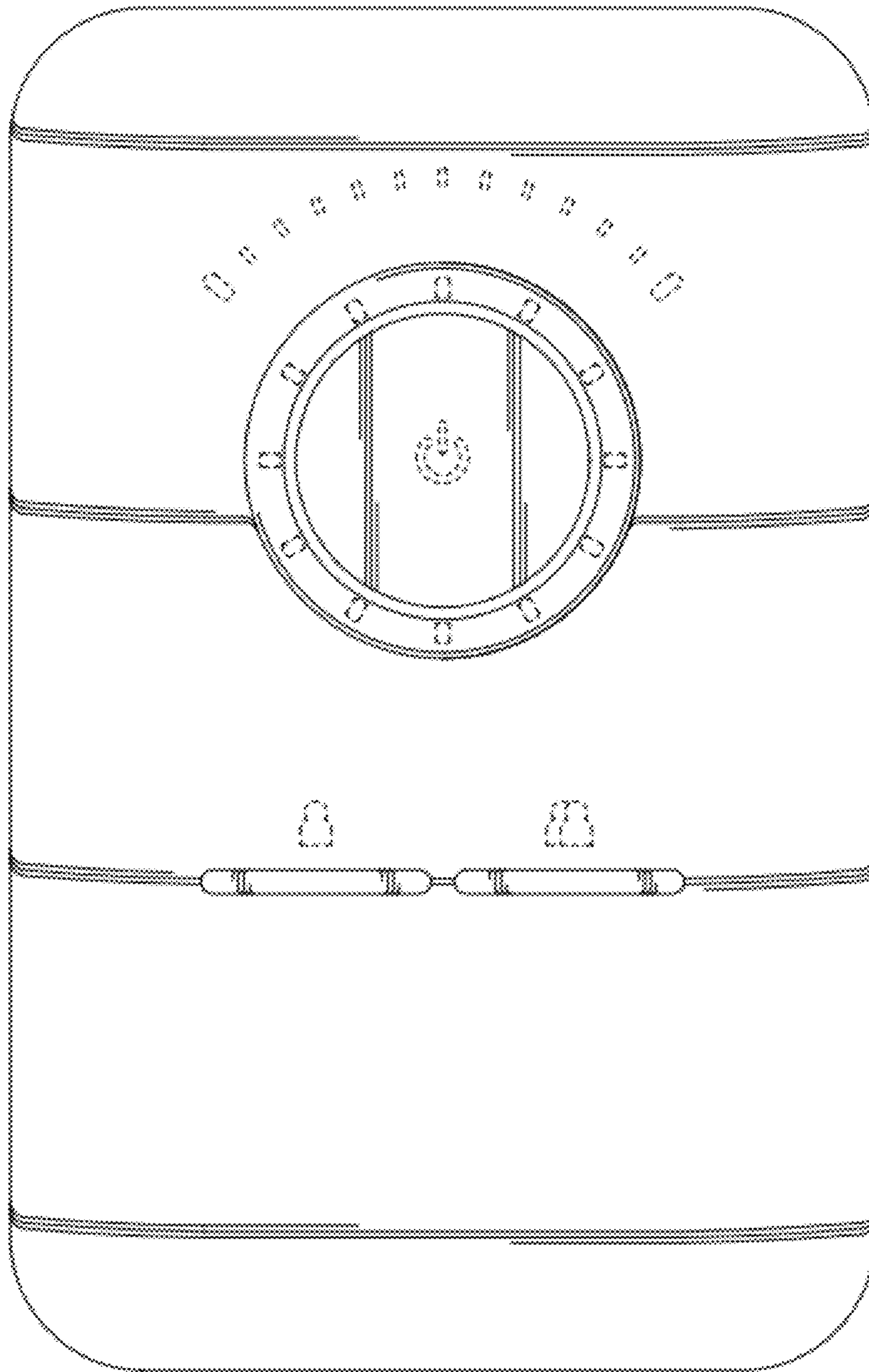


FIG. 6