

US00D669864S

(12) **United States Design Patent**
Korcz et al.

(10) **Patent No.:** **US D669,864 S**
(45) **Date of Patent:** **** Oct. 30, 2012**

(54) **WEATHERPROOF COVER FOR ELECTRICAL DEVICE**

(75) Inventors: **Krzysztof W. Korcz**, Granger, IN (US);
Mahran H. Ayrton, South Bend, IN (US)

(73) Assignee: **Hubbell Incorporated**, Shelton, CT (US)

(**) Term: **14 Years**

(21) Appl. No.: **29/413,601**

(22) Filed: **Feb. 17, 2012**

(51) **LOC (9) Cl.** **13-03**

(52) **U.S. Cl.** **D13/156**

(58) **Field of Classification Search** D13/156,
D13/139.8, 152, 154, 184, 199; 174/1, 50,
174/50.52, 51, 58, 64, 66, 67; 220/241, 242;
439/135, 136, 139, 140, 144, 149, 527, 535,
439/536

See application file for complete search history.

(56) **References Cited**

U.S. PATENT DOCUMENTS

4,007,852	A	2/1977	Gernhardt	
4,265,365	A	5/1981	Boteler	
4,915,638	A *	4/1990	Domian	439/142
5,162,612	A	11/1992	Naka et al.	
5,317,108	A *	5/1994	Prairie, Jr.	174/67
5,417,340	A	5/1995	Anthony	
5,571,023	A	11/1996	Anthony	
D379,970	S *	6/1997	Chambers et al.	D13/156
5,773,760	A *	6/1998	Stark et al.	174/66
D397,995	S *	9/1998	Lamar et al.	D13/156
5,981,875	A	11/1999	Kesler et al.	

D418,114	S	12/1999	Hayduke et al.	
6,133,531	A	10/2000	Hayduke et al.	
6,437,242	B1	8/2002	Radosavljevic et al.	
6,570,091	B1	5/2003	Kesler et al.	
D486,452	S *	2/2004	Dinh	D13/156
6,891,104	B2	5/2005	Dinh	
7,378,591	B2	5/2008	Dinh	
7,410,372	B2	8/2008	Johnson et al.	
7,476,806	B2	1/2009	Dinh	
7,851,703	B2	12/2010	Drane	

* cited by examiner

Primary Examiner — Derrick Holland

(74) *Attorney, Agent, or Firm* — Garrett V. Davis; Mark S. Bicks; Alfred N. Goodman

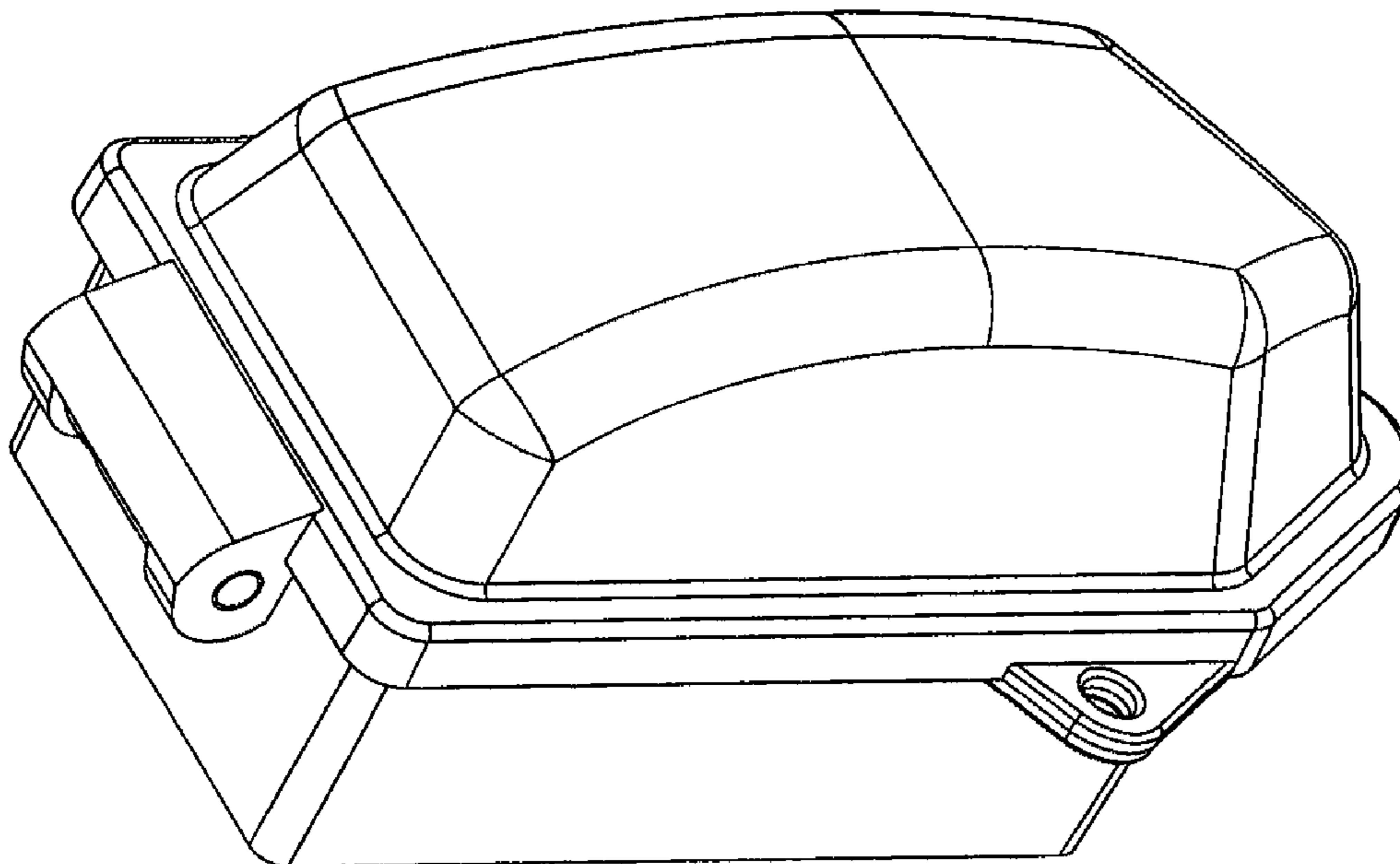
(57) **CLAIM**

The ornamental design for a weatherproof cover for electrical device, as shown and described.

DESCRIPTION

FIG. 1 is a front perspective view of a weatherproof cover for electrical device showing our new design; FIG. 2 is a rear perspective view thereof; FIG. 3 is a top plan view thereof; FIG. 4 is a right side view thereof; FIG. 5 is a left side view thereof; FIG. 6 is a front view thereof; FIG. 7 is a rear view thereof; FIG. 8 is a bottom plan view thereof; FIG. 9 is a bottom perspective view thereof; and, FIG. 10 is a perspective view thereof, with the cover shown in a partially open position. The broken lines shown represent unclaimed subject matter and form no part of the claimed design.

1 Claim, 4 Drawing Sheets



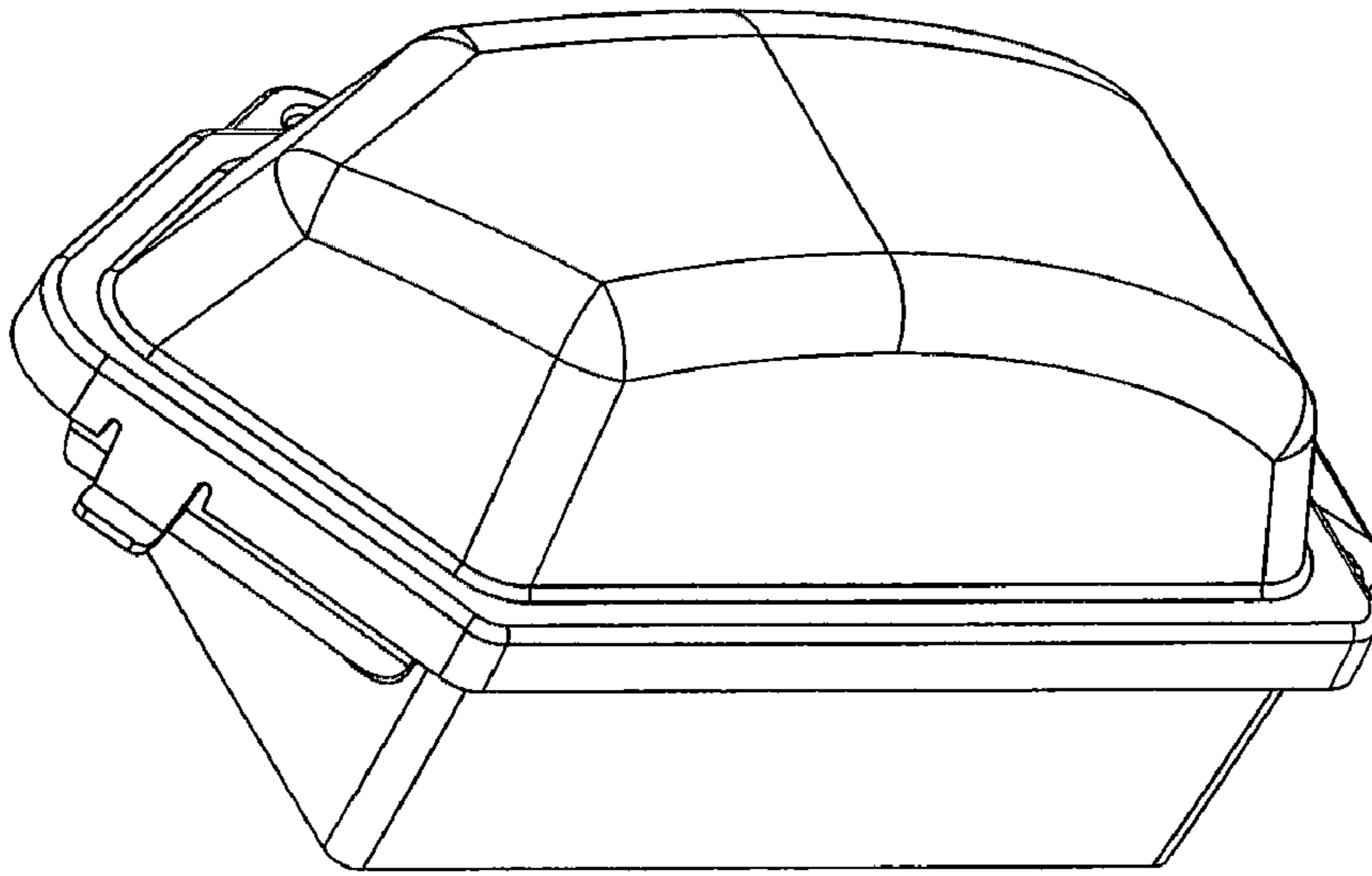


FIG. 1

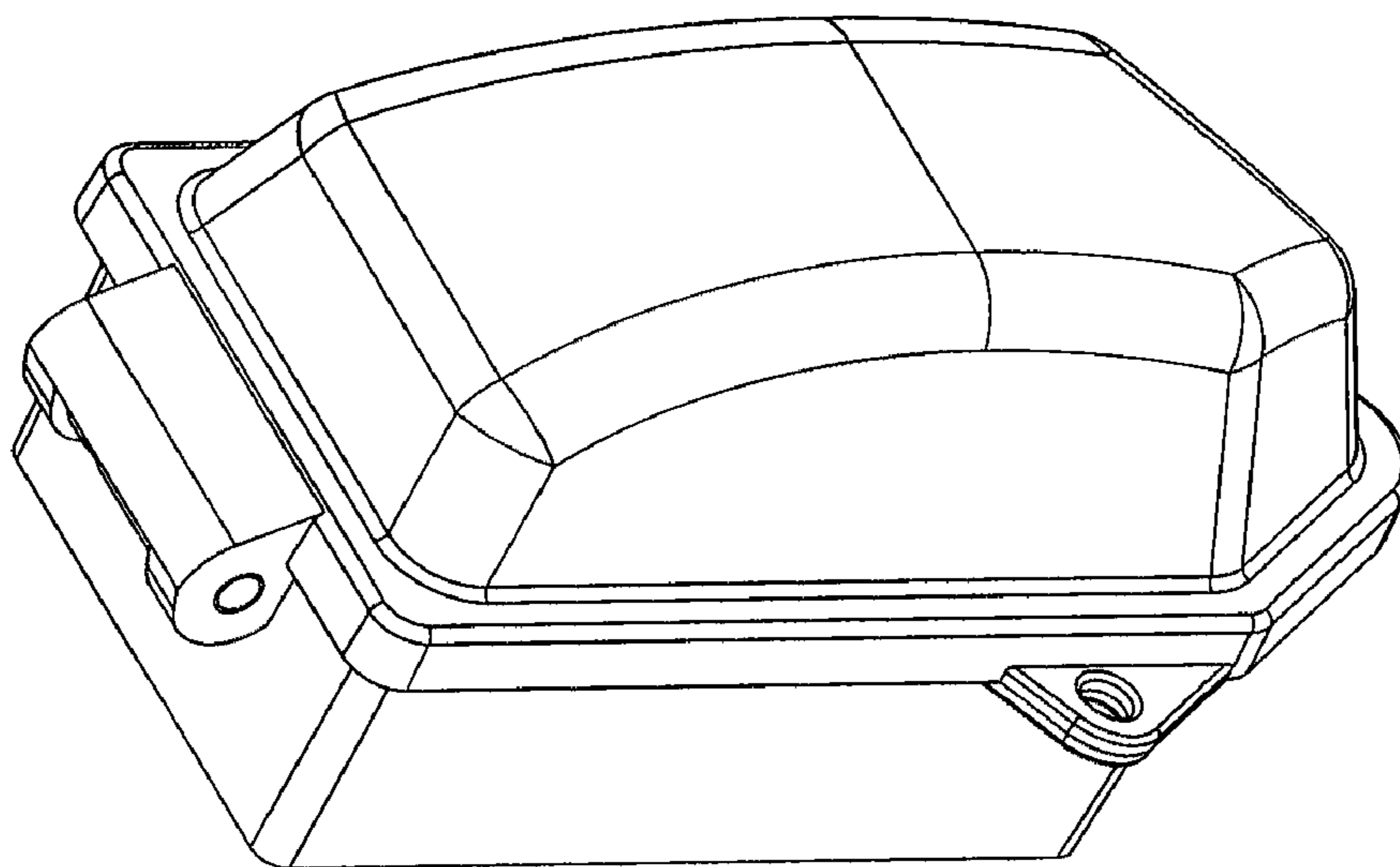


FIG. 2

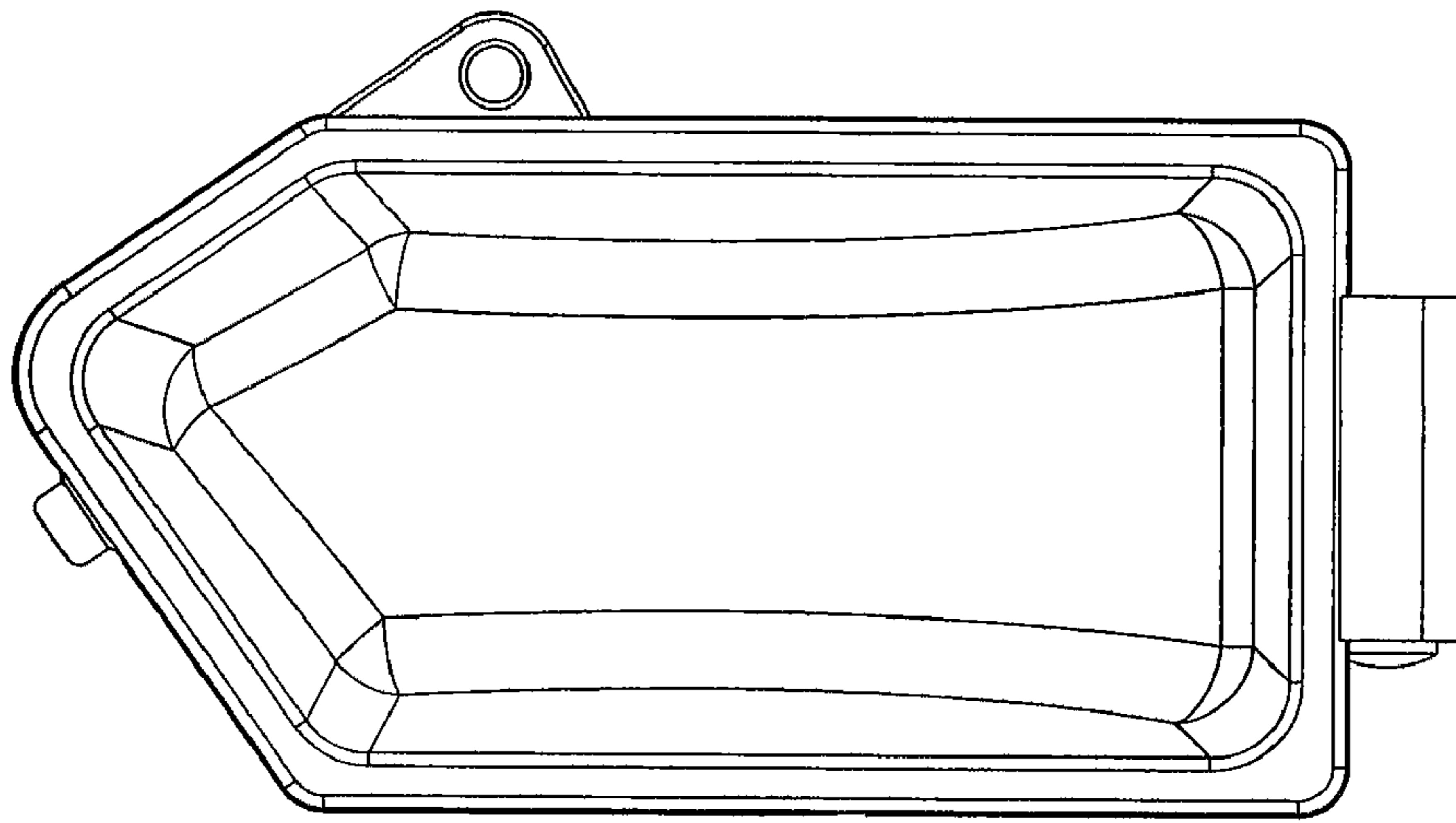


FIG. 3

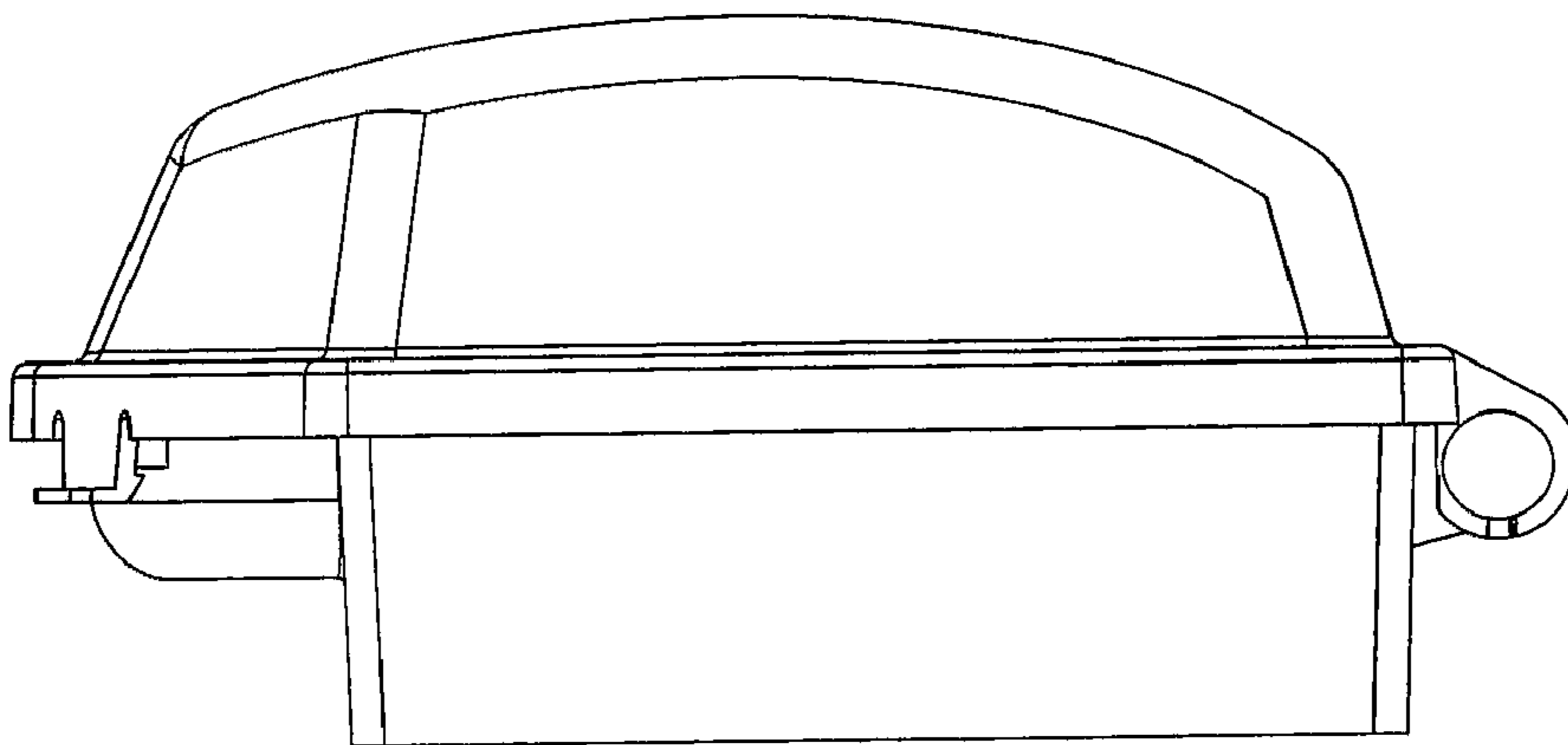


FIG. 4

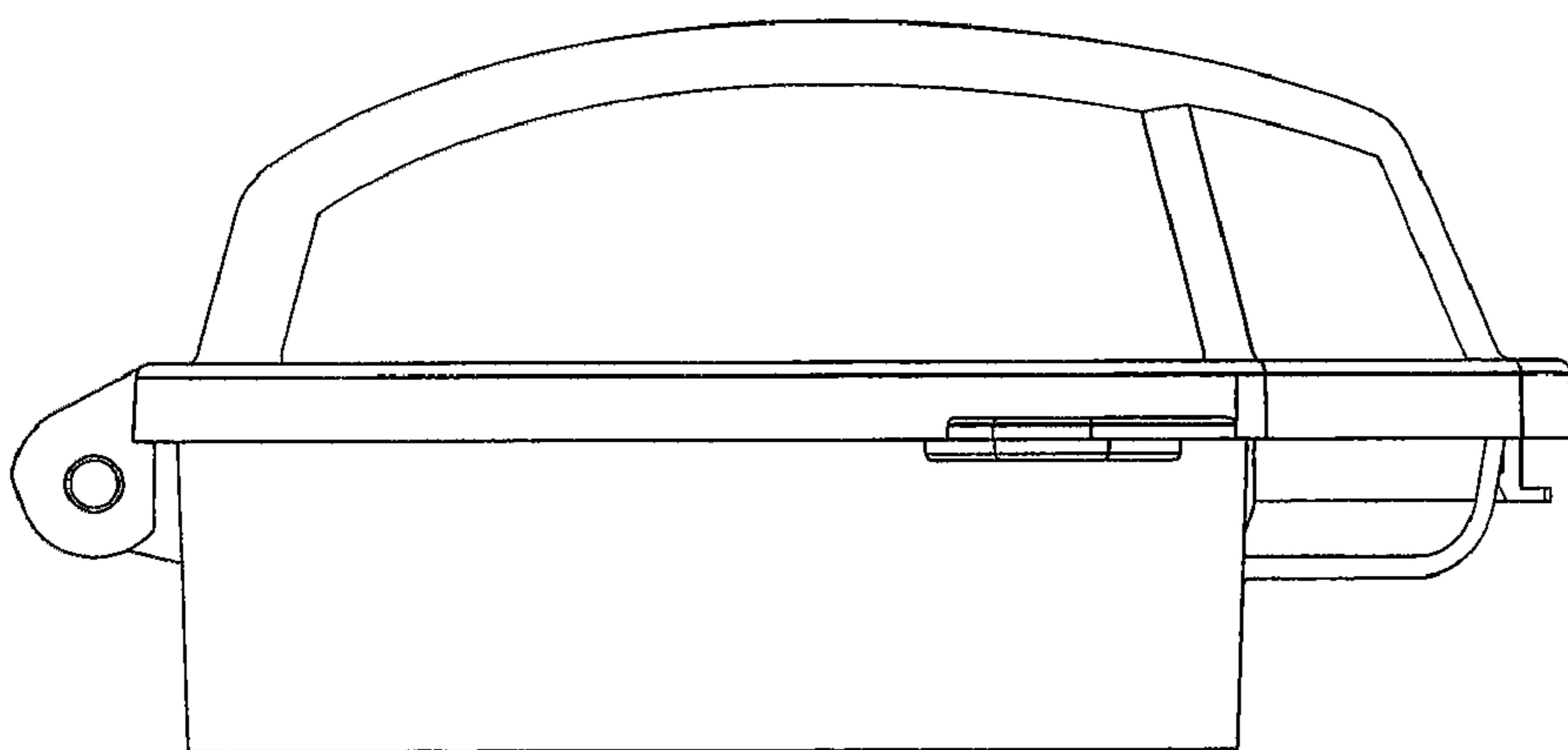


FIG. 5

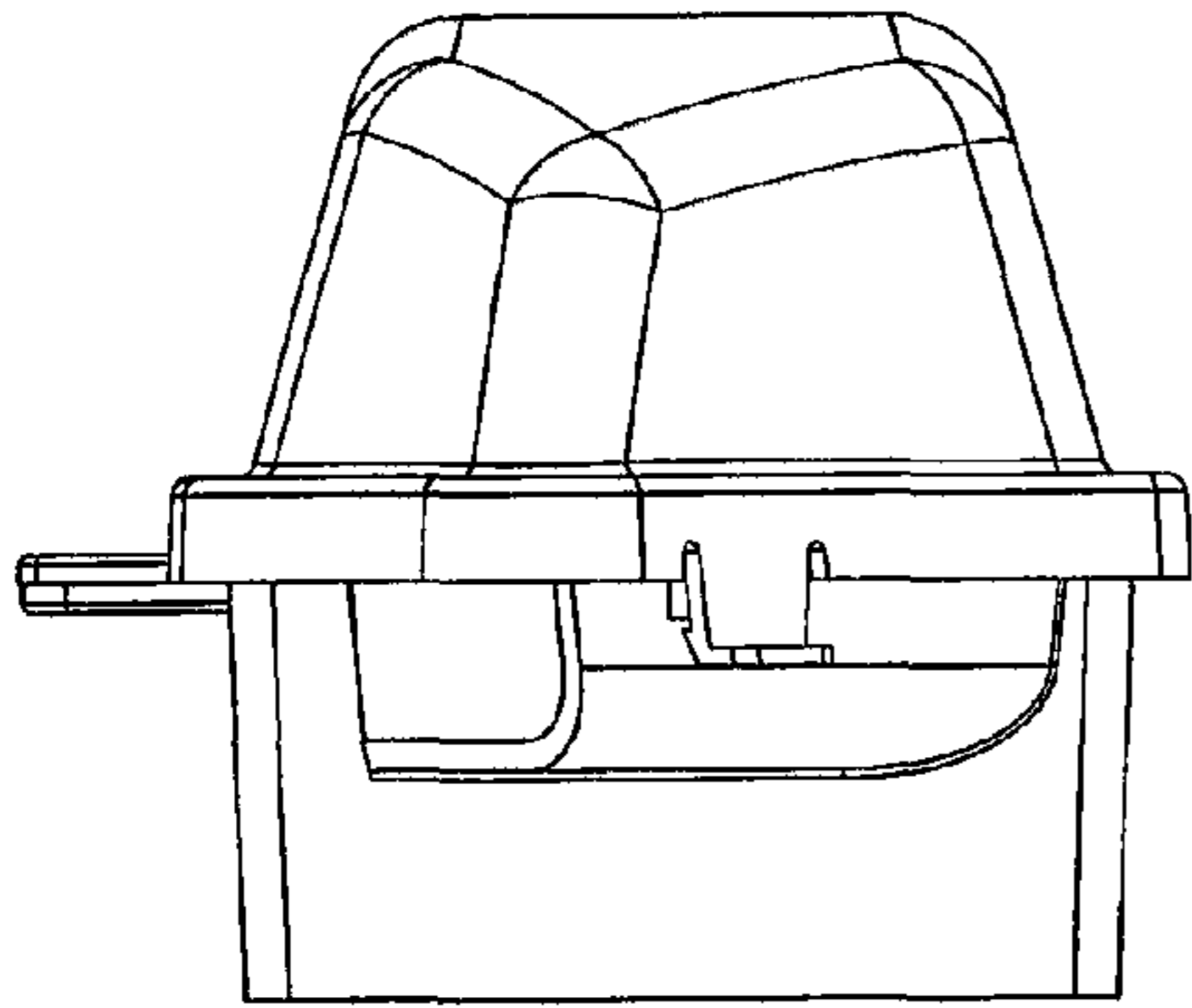


FIG. 6

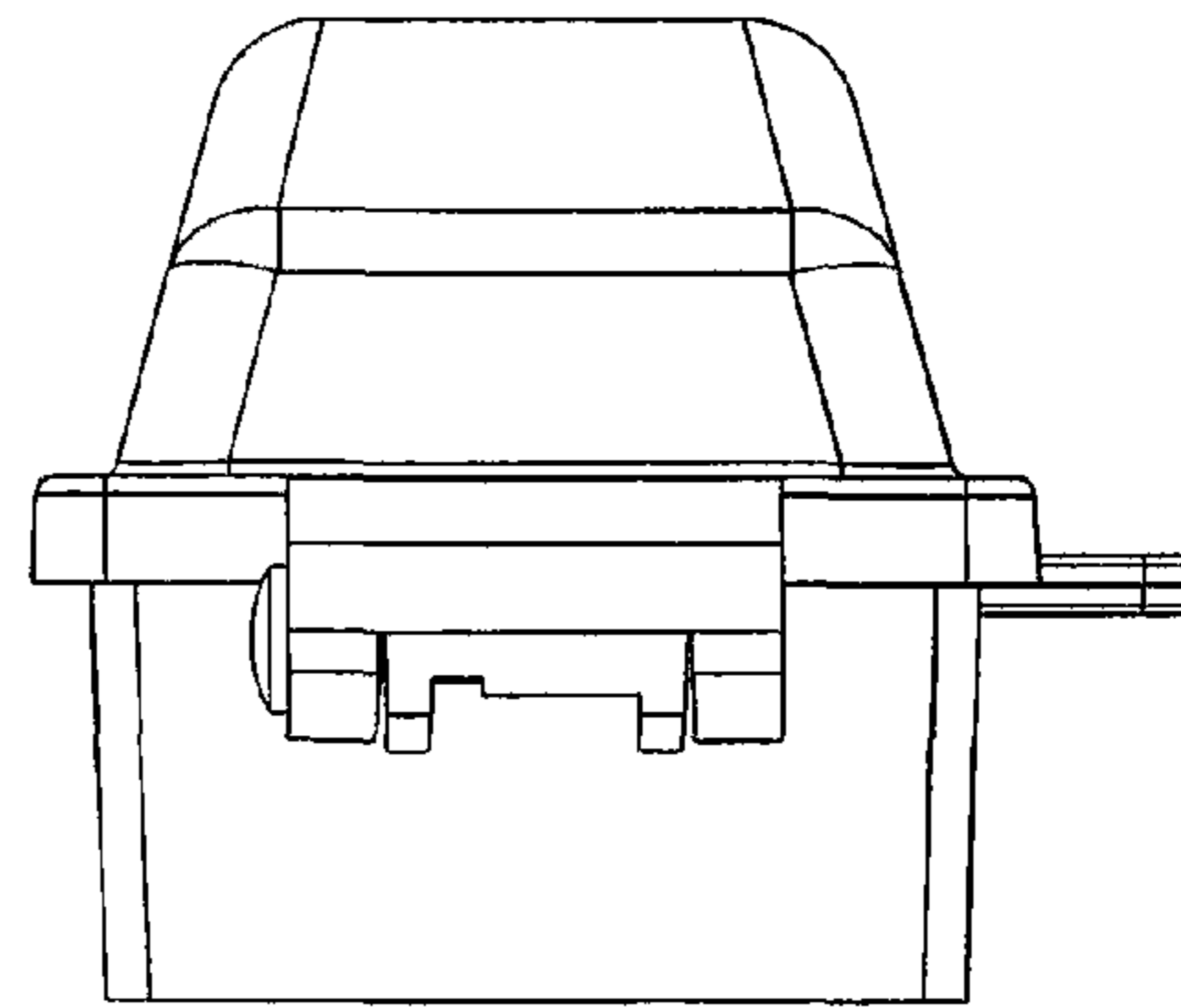


FIG. 7

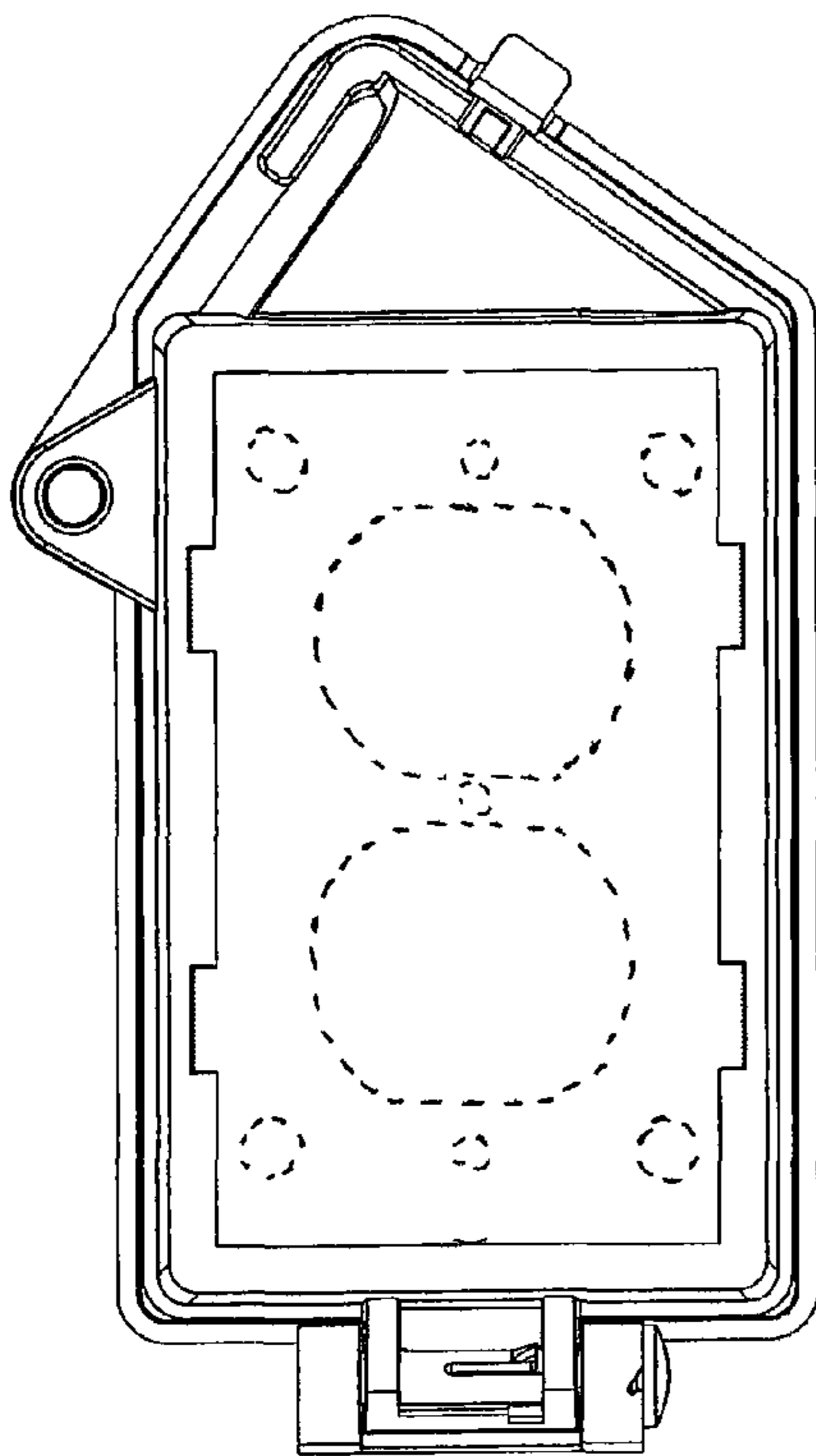


FIG. 8

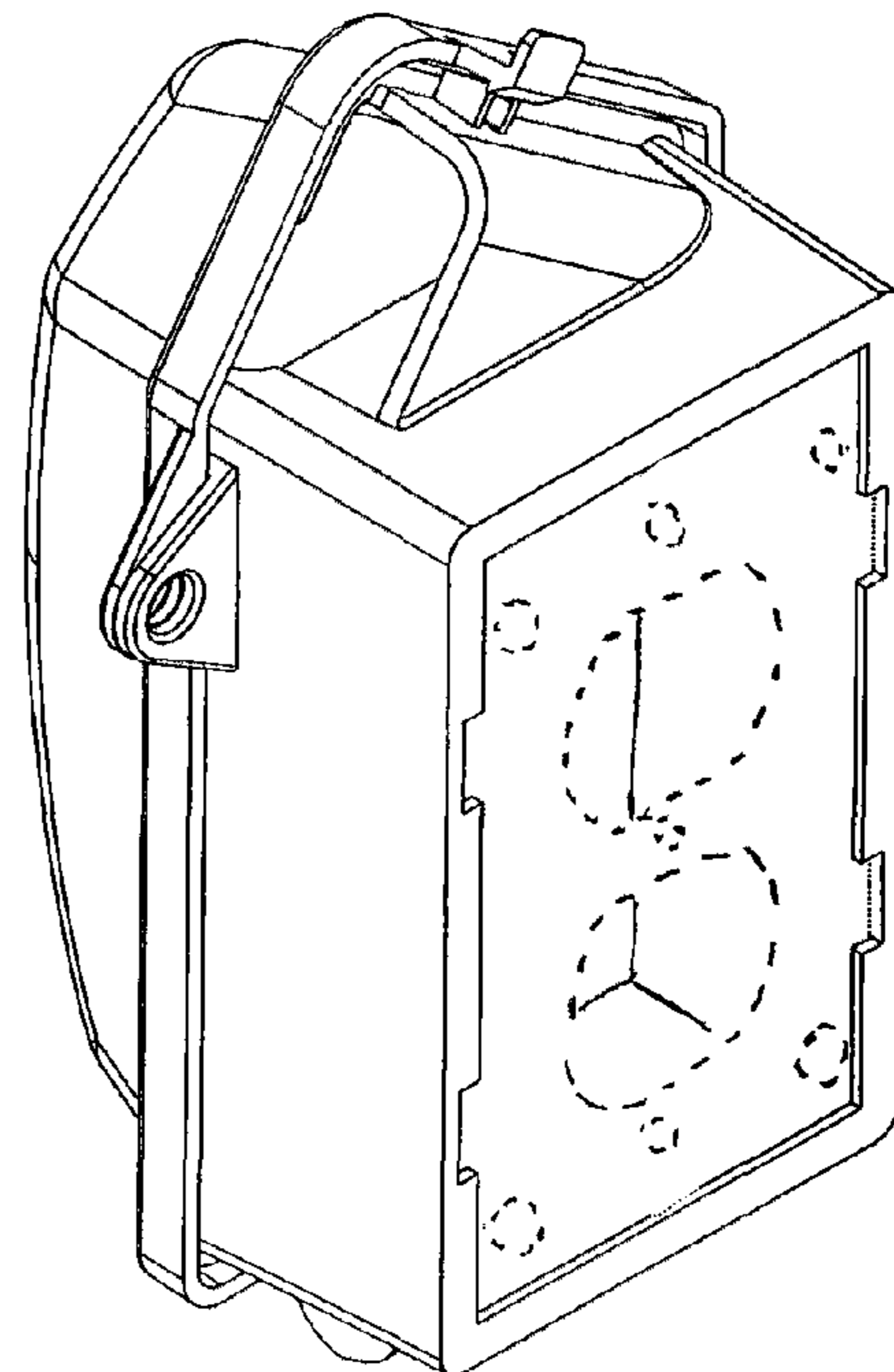


FIG. 9

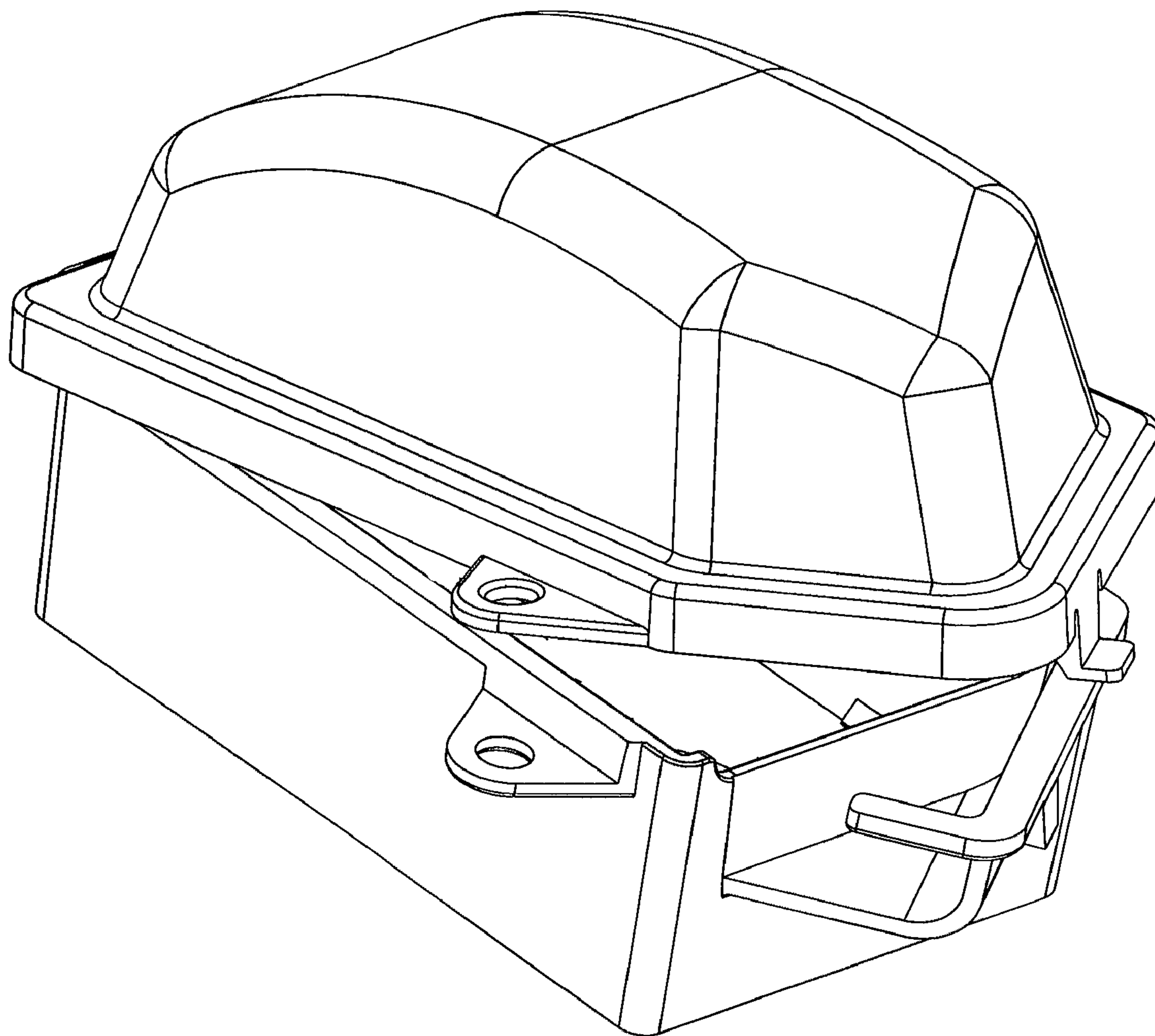


FIG. 10