



US00D669862S

(12) **United States Design Patent**
Nurmi et al.

(10) **Patent No.:** **US D669,862 S**
(45) **Date of Patent:** **** Oct. 30, 2012**

(54) **CABLE GLAND MODULE**

(75) Inventors: **Aapo Nurmi**, Kiikka (FI); **Mika Hautamaki**, Helsinki (FI)

(73) Assignee: **Trelleborg Industrial Products Finland Oy**, Sastamala (FI)

(**) Term: **14 Years**

(21) Appl. No.: **29/380,069**

(22) Filed: **Nov. 30, 2010**

(30) **Foreign Application Priority Data**

Jun. 1, 2010 (EM) 001218358

(51) **LOC (9) Cl.** **13-03**

(52) **U.S. Cl.** **D13/155**

(58) **Field of Classification Search** D13/155,
D13/133, 146, 147, 149, 151, 153, 154, 156,
D13/184, 199; D8/349, 354, 356, 394, 396;
D23/386; 174/48, 68.3, 72 A, 95, 99 R, 101,
174/145, 154, 158 R; 439/680, 607.01, 607.04,
439/607.05, 709, 724, 798, 810, 811, 814

See application file for complete search history.

(56) **References Cited**

U.S. PATENT DOCUMENTS

D200,707 S *	3/1965	Fernie et al.	D13/155
D236,250 S	8/1975	Walton		
D236,481 S	8/1975	Johnston		
D239,031 S *	3/1976	Madlem	D13/155
D304,325 S	10/1989	Pushelberg et al.		
D306,716 S *	3/1990	Shimirak	D13/147
D481,684 S	11/2003	Bomar		
7,011,550 B1 *	3/2006	Lai et al.	439/638
D592,603 S *	5/2009	Sweeney et al.	D13/155
D597,035 S	7/2009	Libby		
D640,987 S *	7/2011	Grubaugh	D13/155

OTHER PUBLICATIONS

<http://oami.europa.eu/RCDOnline/RequestManager>; Registration No. 001050736-0001; Registration Date Nov. 26, 2008; Publication Date: Dec. 15, 2008; Owner: Oy Mar-Con Polymers Ltd.

<http://oami.europa.eu/RCDOnline/RequestManager>; Registration No. 001050736-0002; Registration Date Nov. 26, 2008; Publication Date: Dec. 15, 2008; Owner: Oy Mar-Con Polymers Ltd.
<http://oami.europa.eu/RCDOnline/RequestManager>; Registration No. 001050736-0003; Registration Date Nov. 26, 2008; Publication Date: Dec. 15, 2008; Owner: Oy Mar-Con Polymers Ltd.
<http://oami.europa.eu/RCDOnline/RequestManager>; Registration No. 001050736-0004; Registration Date Nov. 26, 2008; Publication Date: Dec. 15, 2008; Owner: Oy Mar-Con Polymers Ltd.
[http://www.trelleborg.com/fi/Mar-con/TUOTTEET/Multilaippa/MC 3](http://www.trelleborg.com/fi/Mar-con/TUOTTEET/Multilaippa/MC3); published prior to Apr. 30, 2009; Model MC 3.
[http://www.trelleborg.com/fi/Mar-con/TUOTTEET/Multilaippa/MC 25](http://www.trelleborg.com/fi/Mar-con/TUOTTEET/Multilaippa/MC25); published prior to Apr. 30, 2009; Model MC 25.
[http://www.trelleborg.com/fi/Mar-con/TUOTTEET/Multilaippa/MC 35](http://www.trelleborg.com/fi/Mar-con/TUOTTEET/Multilaippa/MC35); published prior to Apr. 30, 2009; Model MC 35.
[http://www.trelleborg.com/fi/Mar-con/TUOTTEET/Multilaippa/MC 16](http://www.trelleborg.com/fi/Mar-con/TUOTTEET/Multilaippa/MC16); published prior to Apr. 30, 2009; Model MC 16.
[http://www.trelleborg.com/fi/Mar-con/TUOTTEET/Multilaippa/MC 10-30](http://www.trelleborg.com/fi/Mar-con/TUOTTEET/Multilaippa/MC10-30); published prior to Apr. 30, 2009; Model MC 10-30.
[http://www.trelleborg.com/fi/Mar-con/TUOTTEET/Multilaippa/MB 10-25](http://www.trelleborg.com/fi/Mar-con/TUOTTEET/Multilaippa/MB10-25); published prior to Apr. 30, 2009; Model MB 10-25.
[http://www.trelleborg.com/fi/Mar-con/TUOTTEET/Multilaippa/MX 10-30](http://www.trelleborg.com/fi/Mar-con/TUOTTEET/Multilaippa/MX10-30); published prior to Apr. 30, 2009; Model MX 10-30.
[http://www.trelleborg.com/fi/Mar-con/TUOTTEET/Multilaippa/Rittal 52](http://www.trelleborg.com/fi/Mar-con/TUOTTEET/Multilaippa/Rittal52); published prior to Apr. 30, 2009; Model Rittal 52.

(Continued)

Primary Examiner — Derrick Holland

(74) *Attorney, Agent, or Firm* — Banner & Witcoff, Ltd.

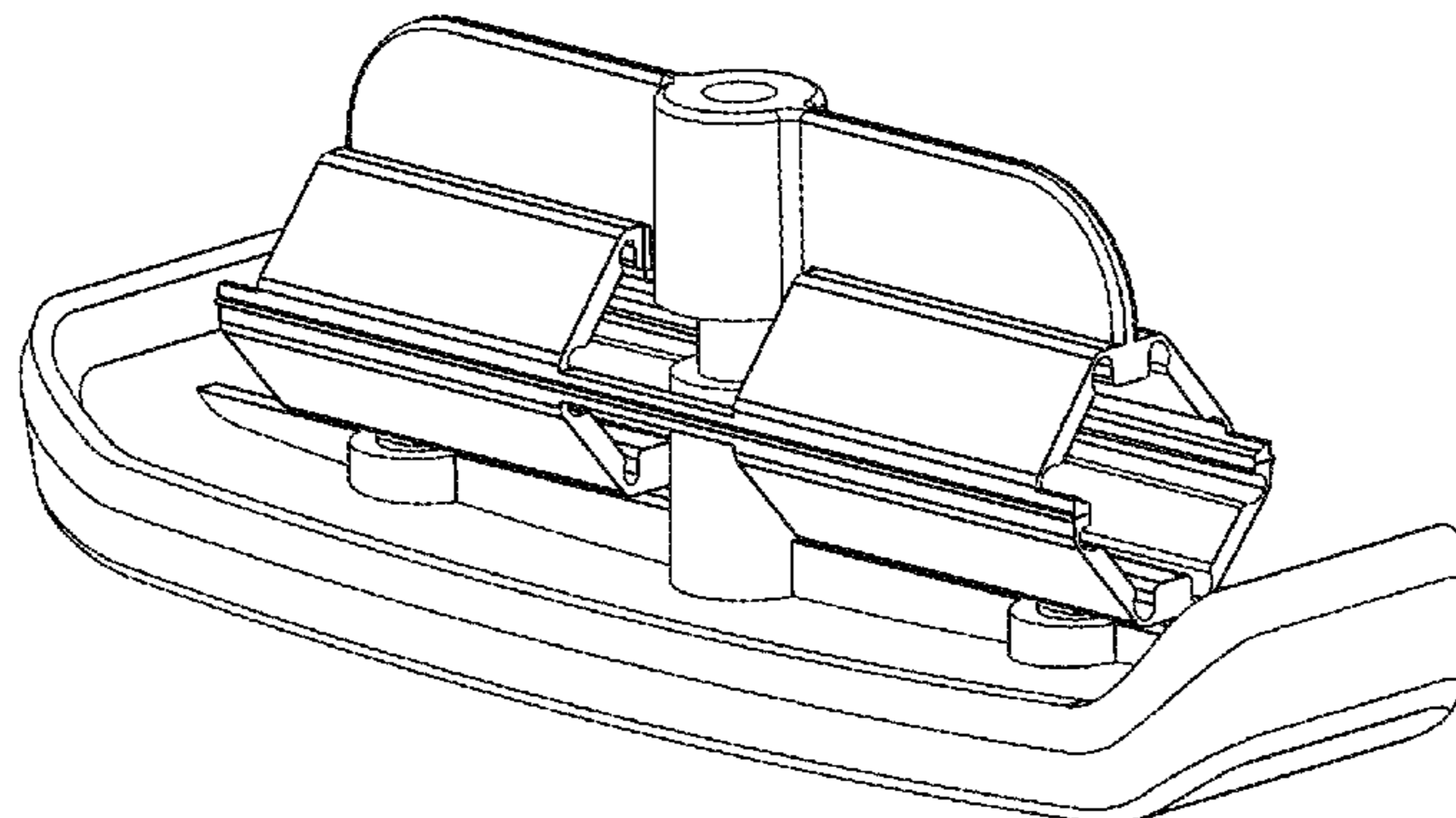
(57) **CLAIM**

The ornamental design for a cable gland module, as shown and described.

DESCRIPTION

FIG. 1 is a perspective top view of a cable gland module showing our new design;
FIG. 2 is a perspective bottom view thereof;
FIG. 3 is a left side view thereof;
FIG. 4 is a top plan view thereof;
FIG. 5 is a bottom plan view thereof;
FIG. 6 is a front view thereof; and,
FIG. 7 is a rear view thereof.

1 Claim, 3 Drawing Sheets



OTHER PUBLICATIONS

[http://www.trelleborg.com/fi/Mar-con/TUOTTEET/Multilaippa/Rittal 85](http://www.trelleborg.com/fi/Mar-con/TUOTTEET/Multilaippa/Rittal%2085); published prior to Apr. 30, 2009; Model Rittal 85.

[http://www.trelleborg.com/fi/Mar-con/TUOTTEET/Multilaippa/Rittal 88](http://www.trelleborg.com/fi/Mar-con/TUOTTEET/Multilaippa/Rittal%2088); published prior to Apr. 30, 2009; Model Rittal 88.

* cited by examiner

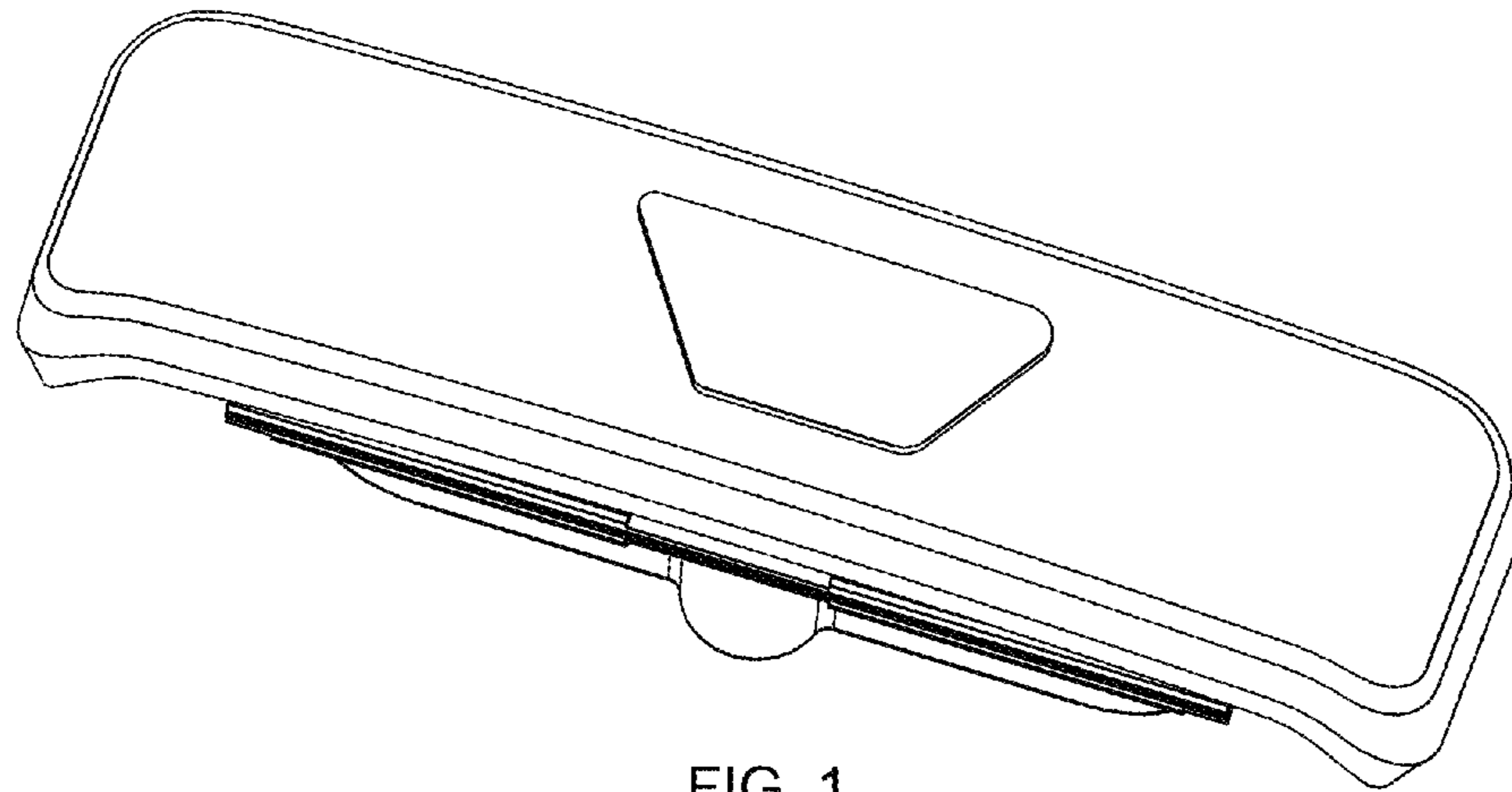


FIG. 1

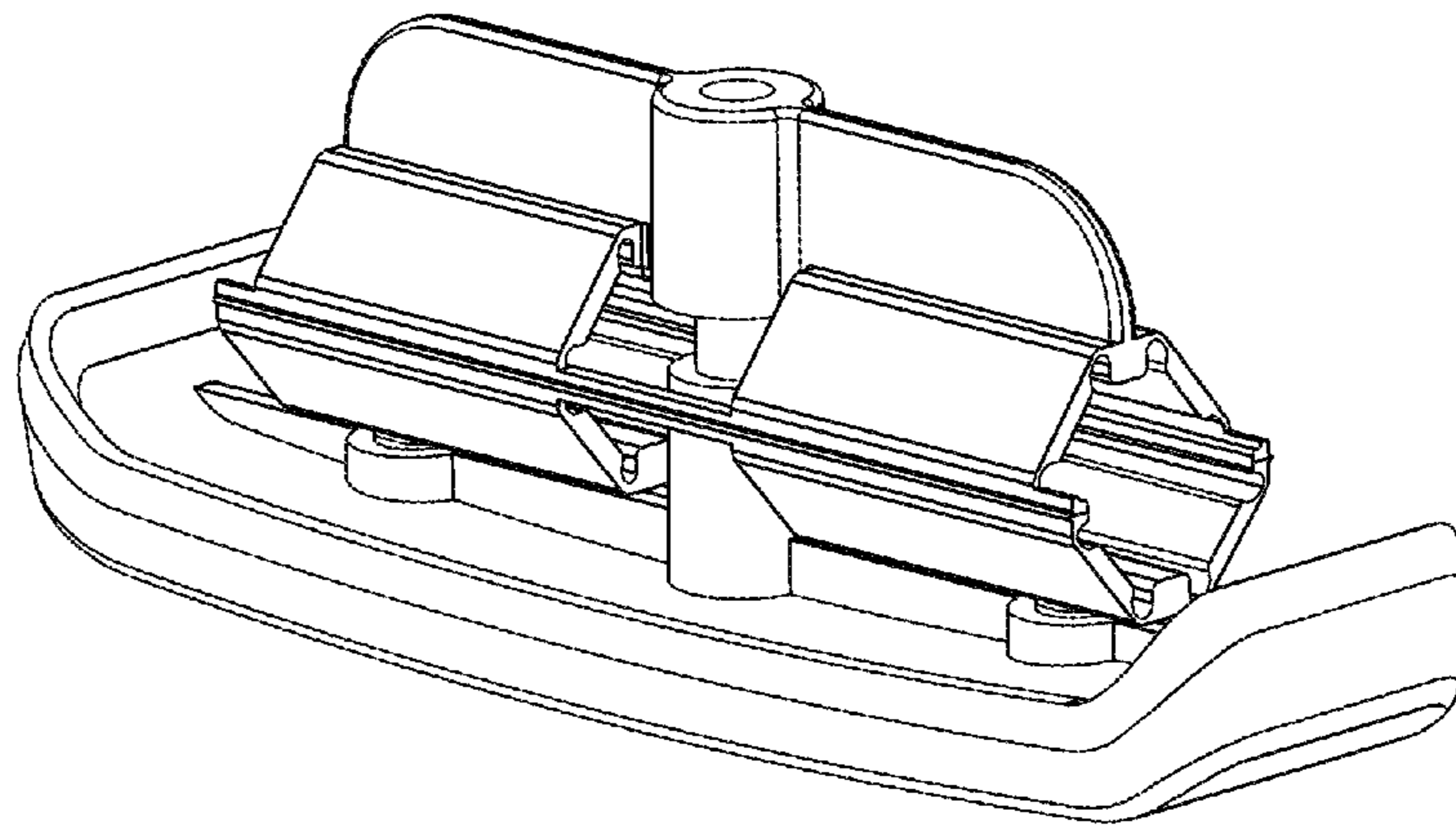


FIG. 2

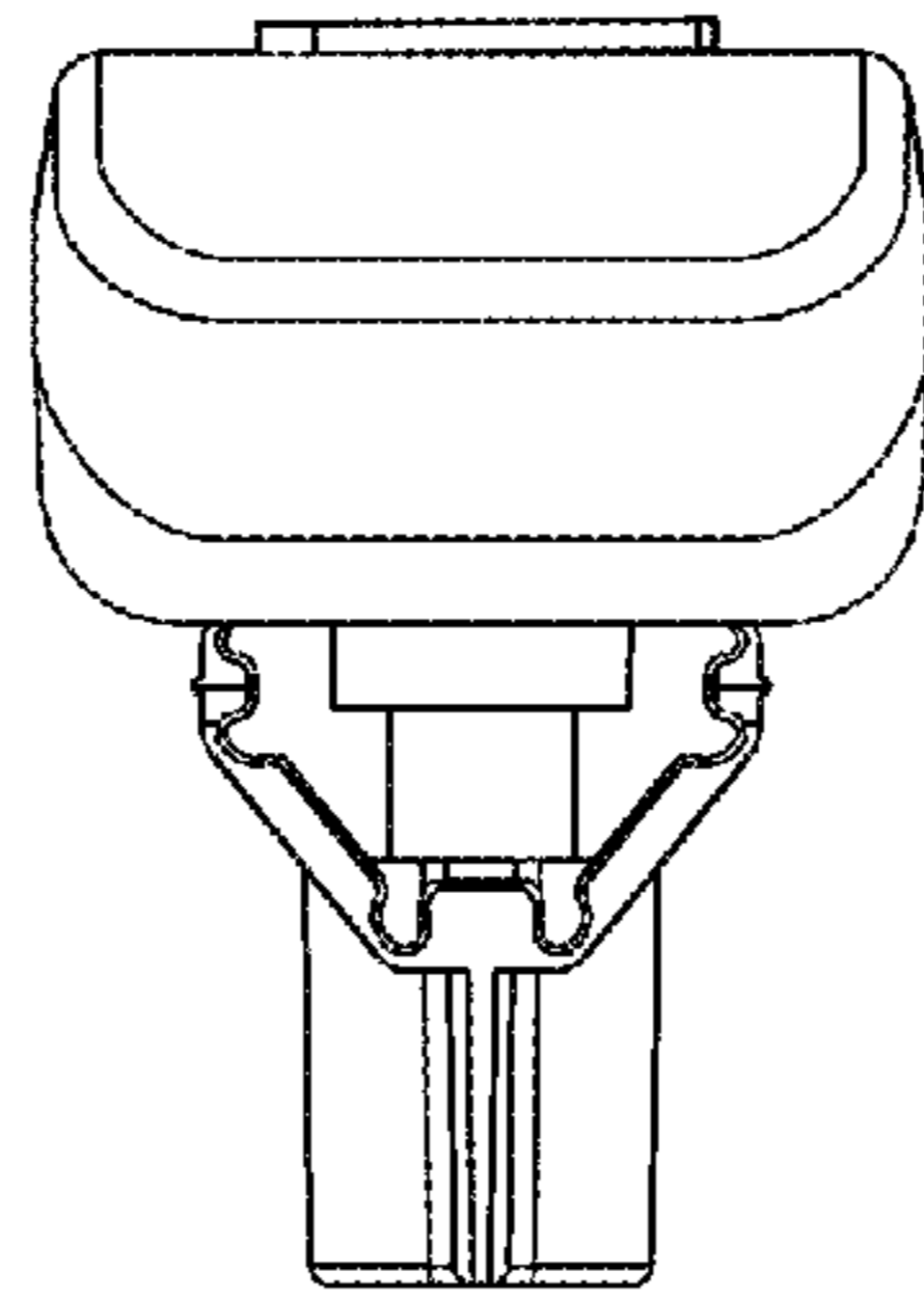


FIG. 3

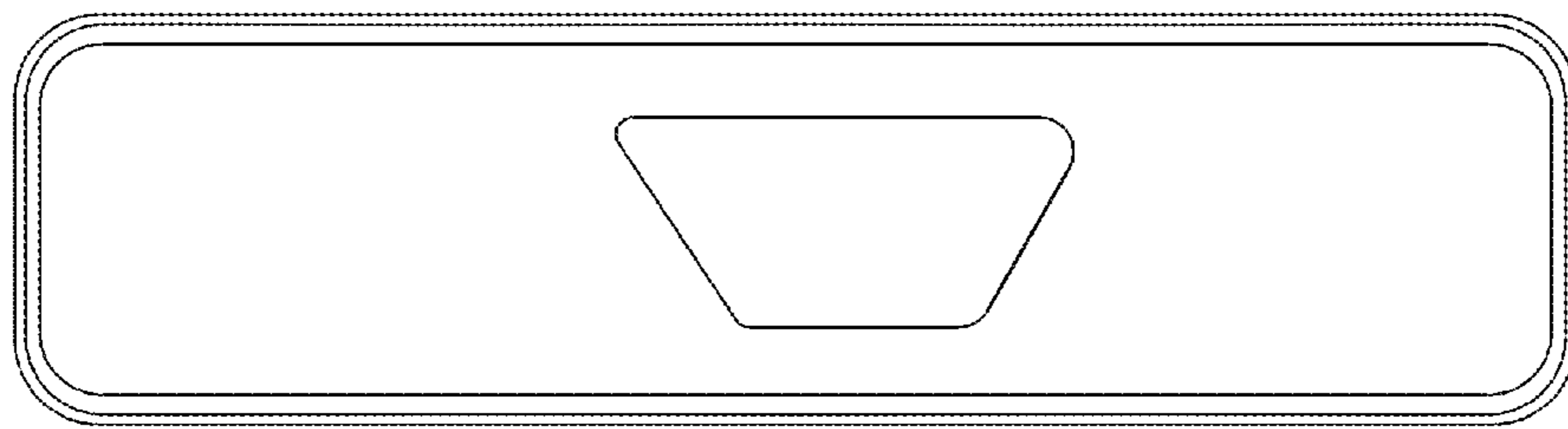


FIG. 4

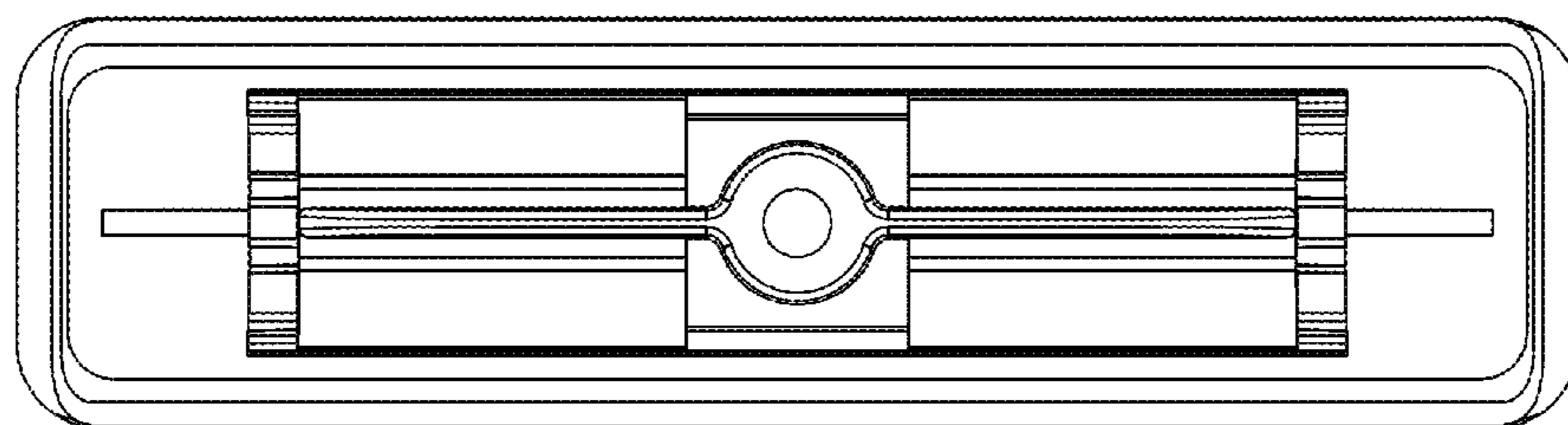


FIG. 5

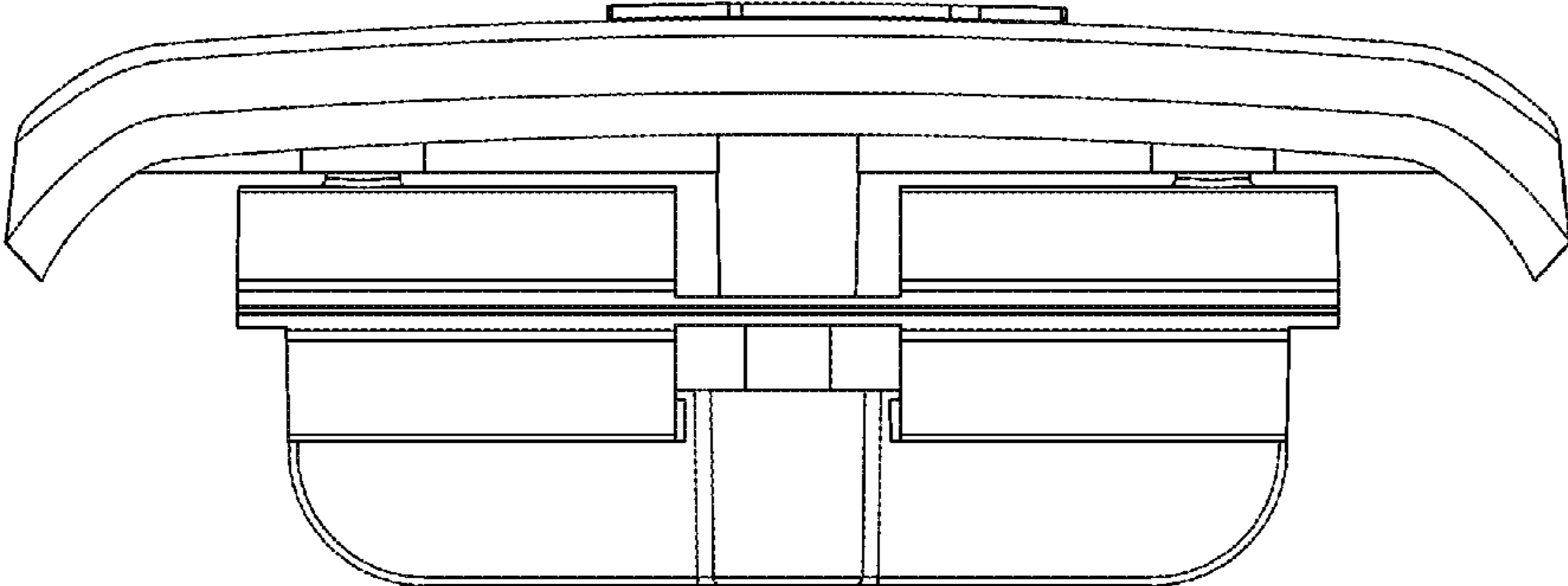


FIG. 6

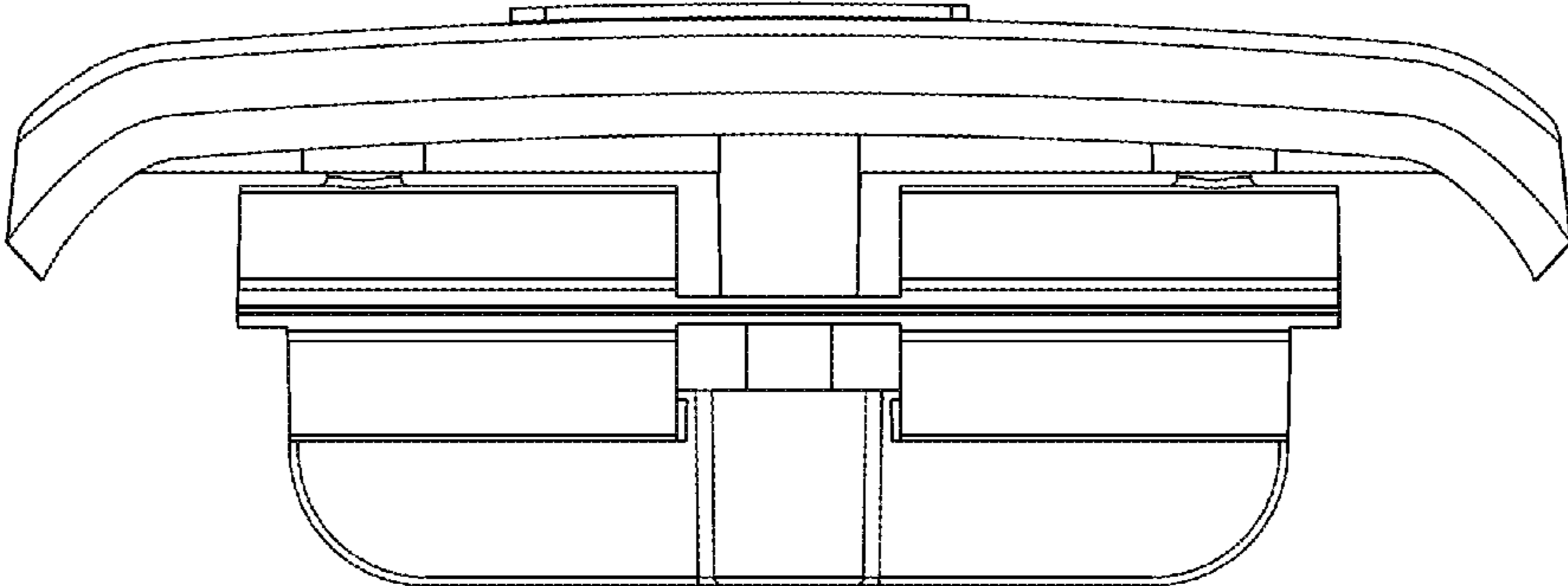


FIG. 7