



US00D669861S

(12) **United States Design Patent**
Natoli

(10) **Patent No.:** **US D669,861 S**

(45) **Date of Patent:** **** *Oct. 30, 2012**

(54) **COMPRESSION CAP FOR A COAXIAL
CABLE CONNECTOR**

(75) Inventor: **Christopher P. Natoli**, Fulton, NY (US)

(73) Assignee: **John Mezzalingua Associates, Inc.**,
Easy Syracuse, NY (US)

(*) Notice: This patent is subject to a terminal dis-
claimer.

(**) Term: **14 Years**

(21) Appl. No.: **29/394,128**

(22) Filed: **Jun. 13, 2011**

(51) **LOC (9) Cl.** **13-03**

(52) **U.S. Cl.** **D13/151**

(58) **Field of Classification Search** D13/133,
D13/149, 151, 154, 184, 199; 439/13, 20,
439/22, 133, 135, 246, 306, 321, 322, 480,
439/476.1, 578, 583, 584, 585, 668, 805
See application file for complete search history.

(56) **References Cited**

U.S. PATENT DOCUMENTS

D440,939	S	*	4/2001	Montena	D13/133
D475,976	S	*	6/2003	Montena	D13/151
D475,977	S	*	6/2003	Montena	D13/151
D506,446	S	*	6/2005	Montena	D13/154
D508,465	S	*	8/2005	Montena	D13/154
D517,018	S	*	3/2006	Montena	D13/151
D517,496	S	*	3/2006	Montena	D13/151
D556,693	S	*	12/2007	Montena	D13/151
D601,967	S	*	10/2009	Shaw	D13/151
D610,998	S	*	3/2010	Purdy et al.	D13/151
D611,912	S	*	3/2010	Montena	D13/151
D620,894	S	*	8/2010	Lutz et al.	D13/151

D623,604	S	*	9/2010	Amidon	D13/154
D624,024	S	*	9/2010	Amidon	D13/154
D624,508	S	*	9/2010	Amidon	D13/154
D626,920	S	*	11/2010	Purdy et al.	D13/151
D643,370	S	*	8/2011	Eriksen et al.	D13/154
D646,226	S	*	10/2011	Purdy et al.	D13/151
2004/0110416	A1	*	6/2004	Montena et al.	439/578
2007/0042642	A1	*	2/2007	Montena et al.	439/578
2009/0170360	A1	*	7/2009	Shaw et al.	439/277

* cited by examiner

Primary Examiner — Thomas Johannes

(74) *Attorney, Agent, or Firm* — Schmeiser Olsen & Watts;
Stephen R. Yoder, Esq.

(57) **CLAIM**

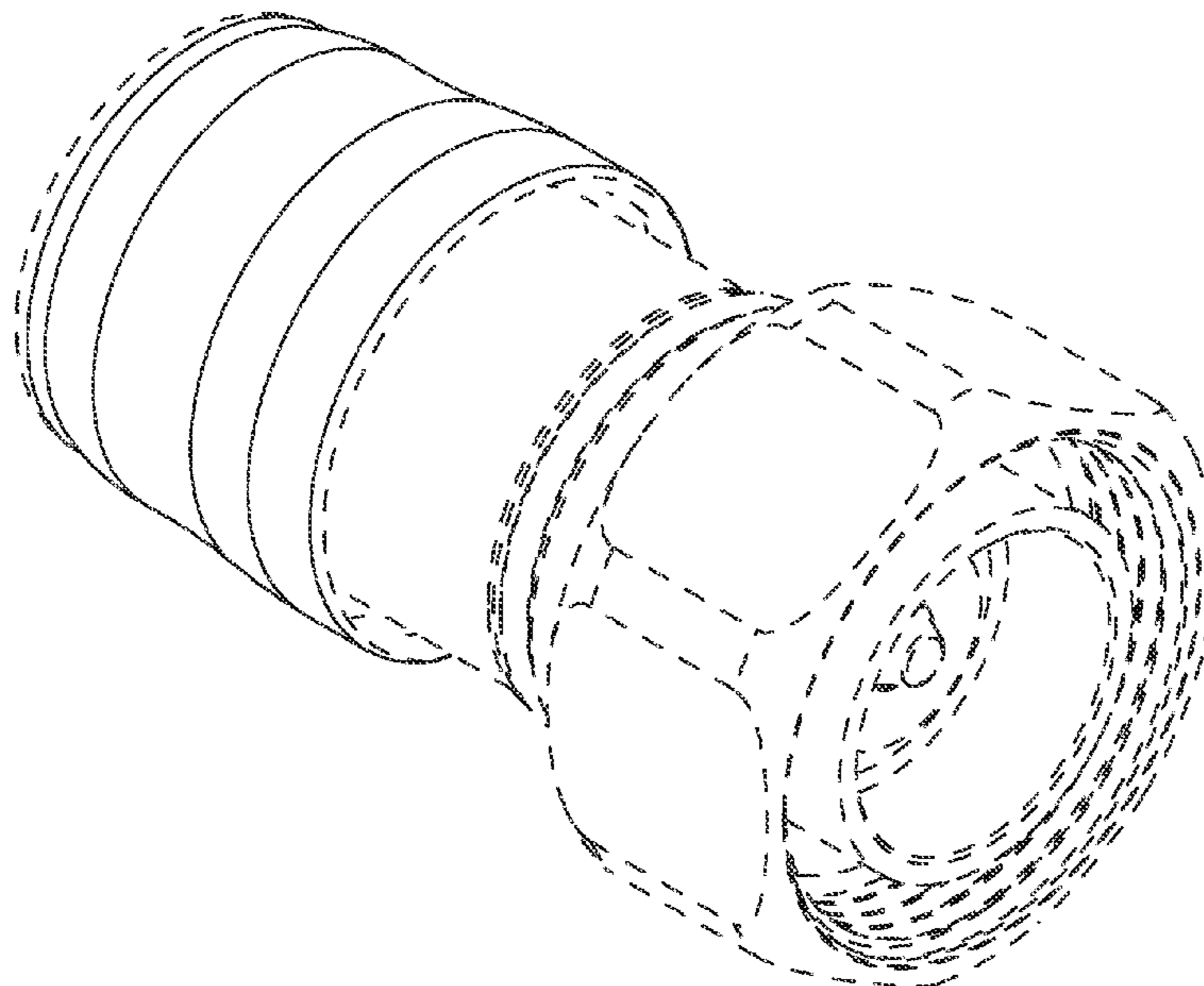
The ornamental design for a compression cap for a coaxial cable connector, as shown and described.

DESCRIPTION

FIG. 1 is a front perspective view of a compression cap for a coaxial cable connector showing my design;
FIG. 2 is a back perspective view thereof;
FIG. 3 is a top plan view thereof, the claimed portion of which is a mirror image to a bottom plan view;
FIG. 4 is a left side elevation view thereof, the claimed portion of which is a mirror image to a right side elevation view;
FIG. 5 is a front elevation view thereof;
FIG. 6 is a back elevation view thereof;
FIG. 7 is a front perspective view thereof, in a usage condition showing an unclaimed knurl pattern; and,
FIG. 8 is a front perspective view thereof, in another usage condition.

The broken line portion of the figure drawings is included for the purpose of illustrating unclaimed subject matter and forms no part of the claimed design.

1 Claim, 8 Drawing Sheets



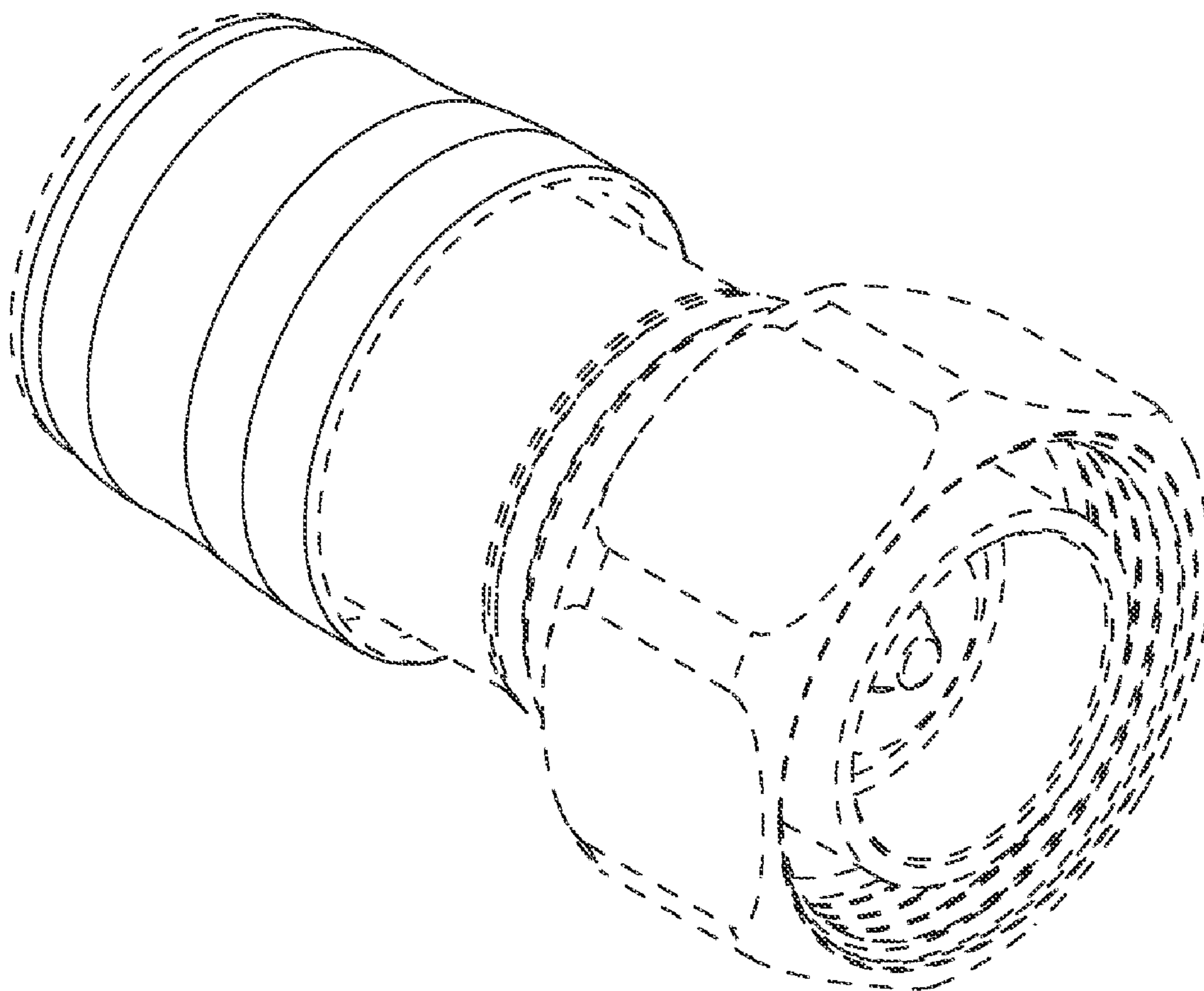


FIG. 1

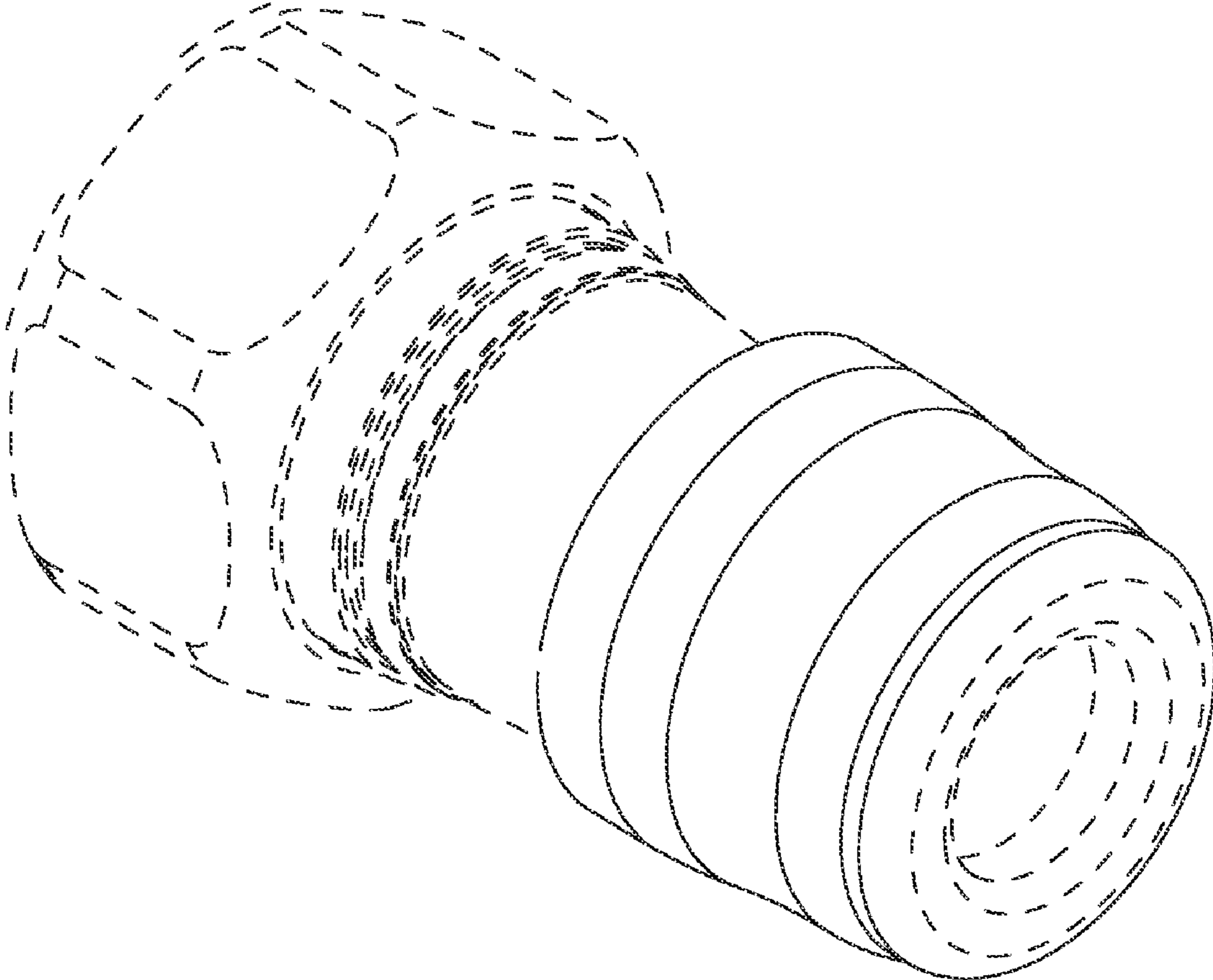


FIG. 2

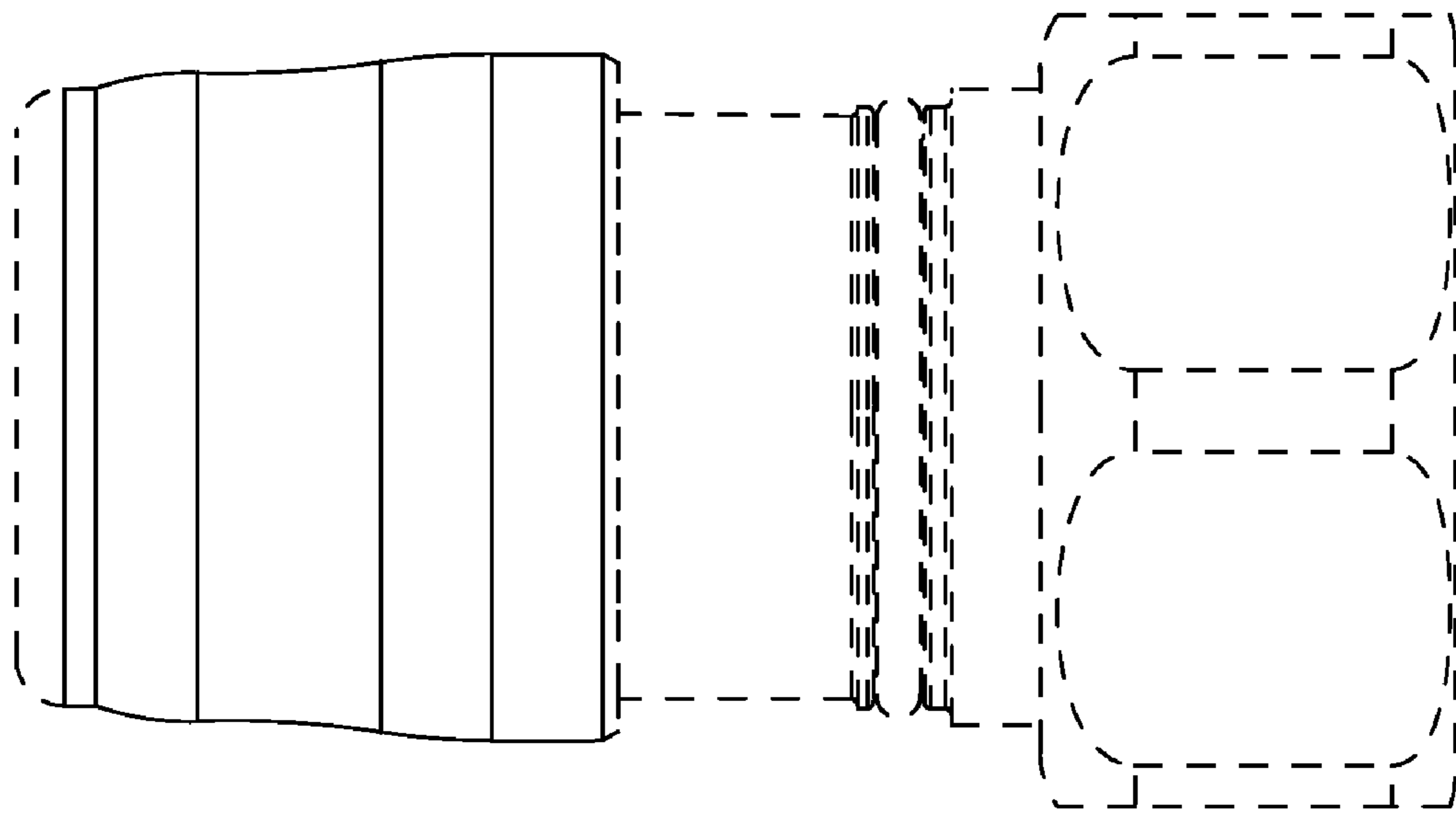


FIG. 3

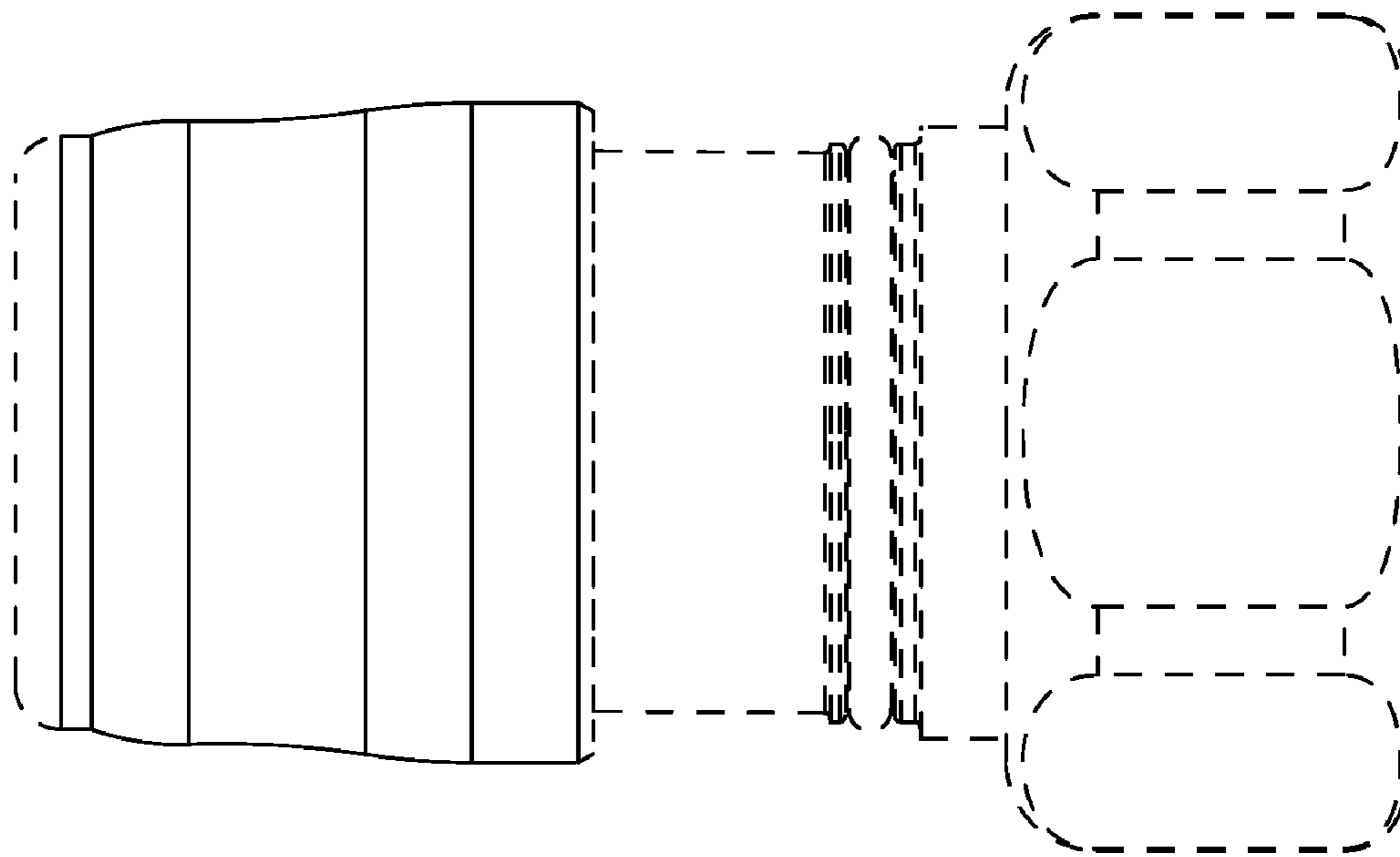


FIG. 4

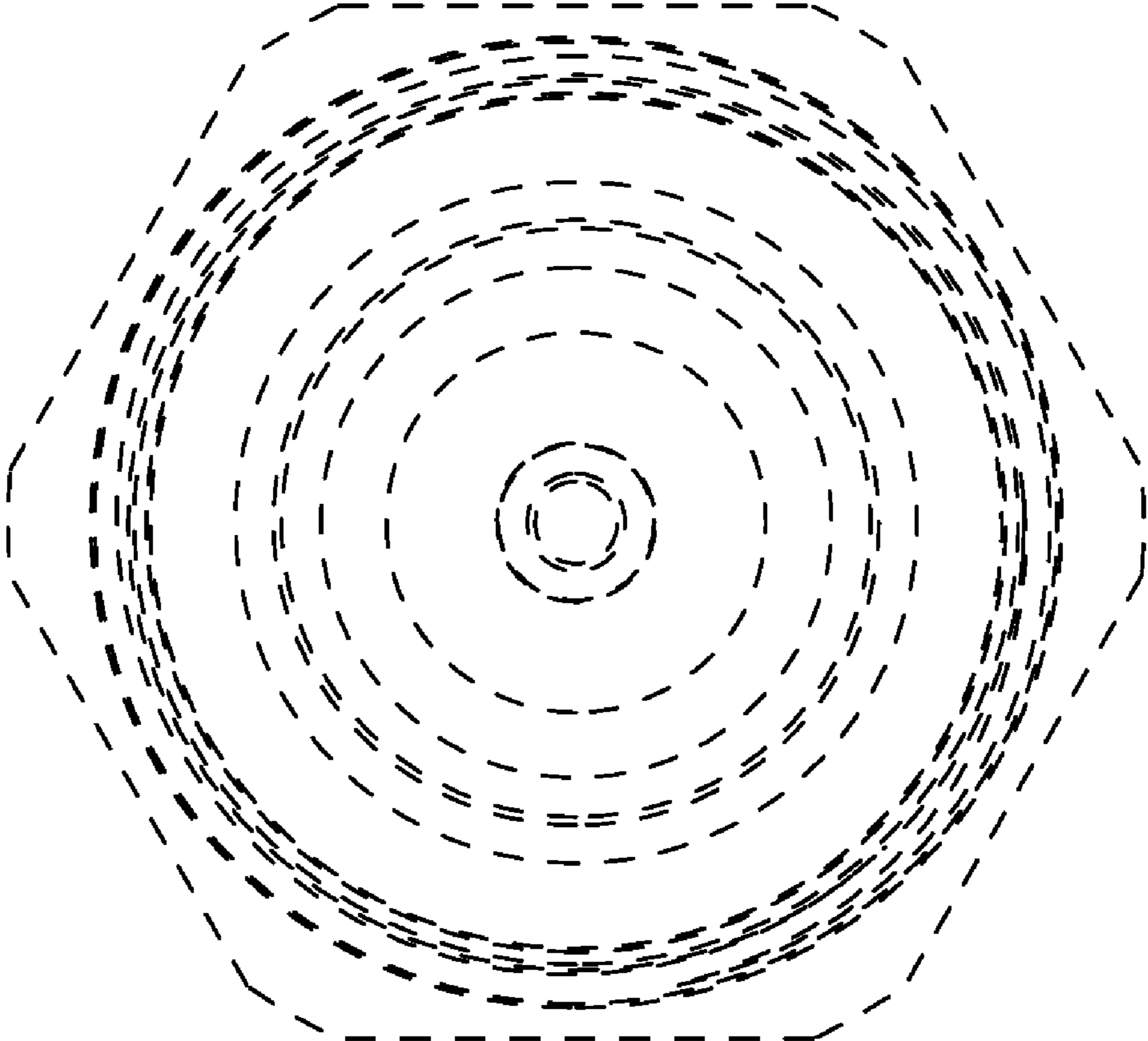


FIG. 5

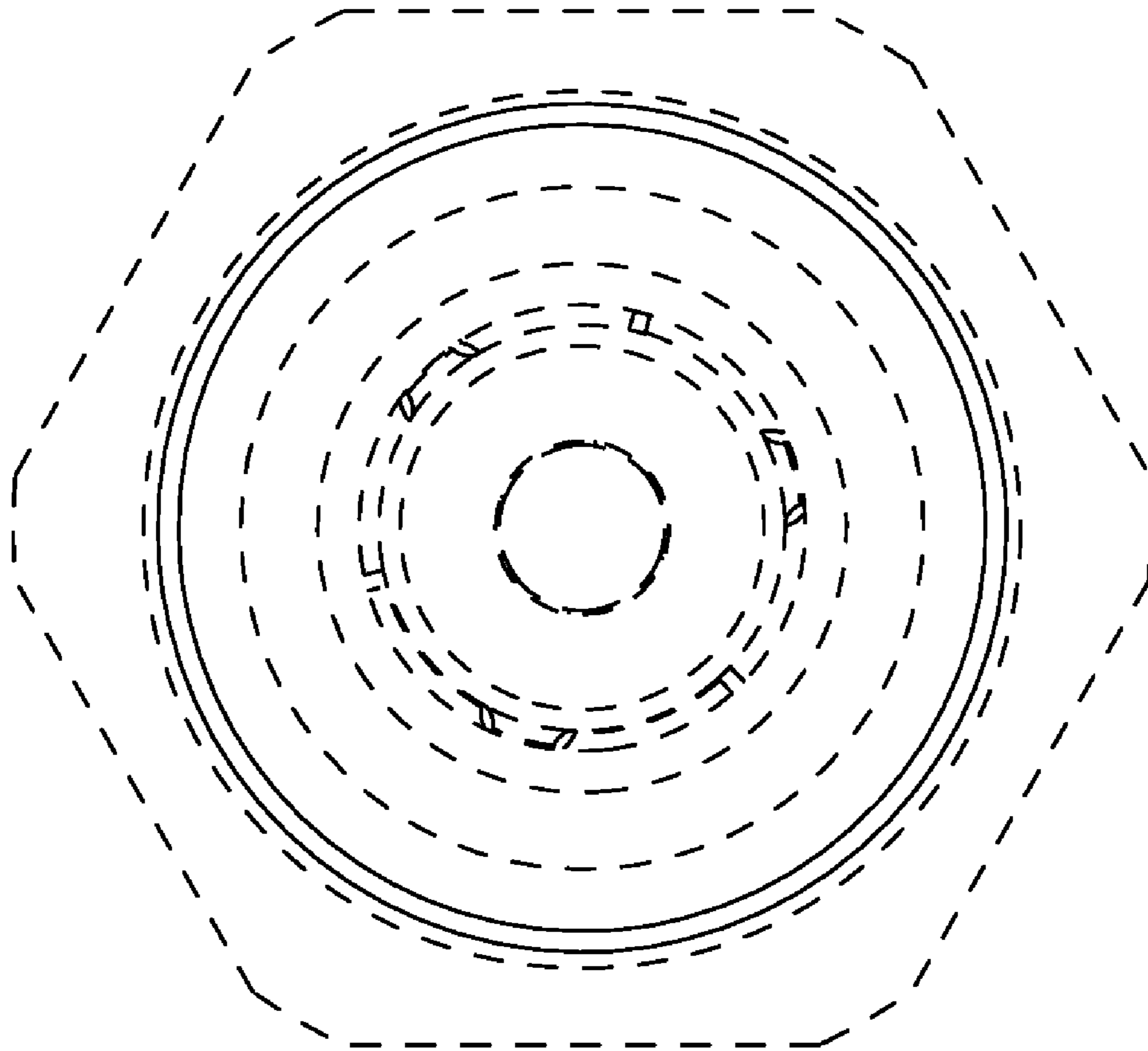


FIG. 6

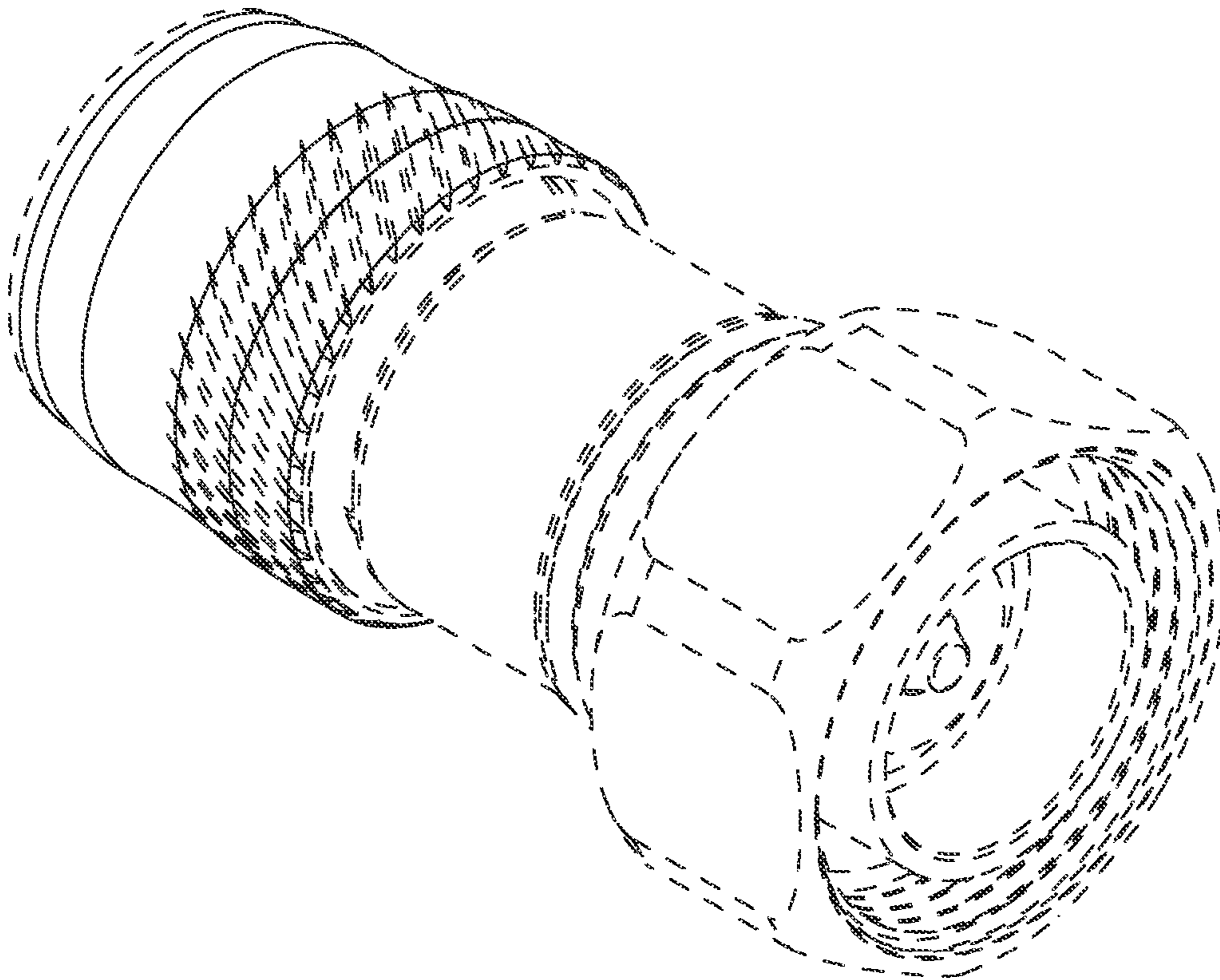


FIG. 7

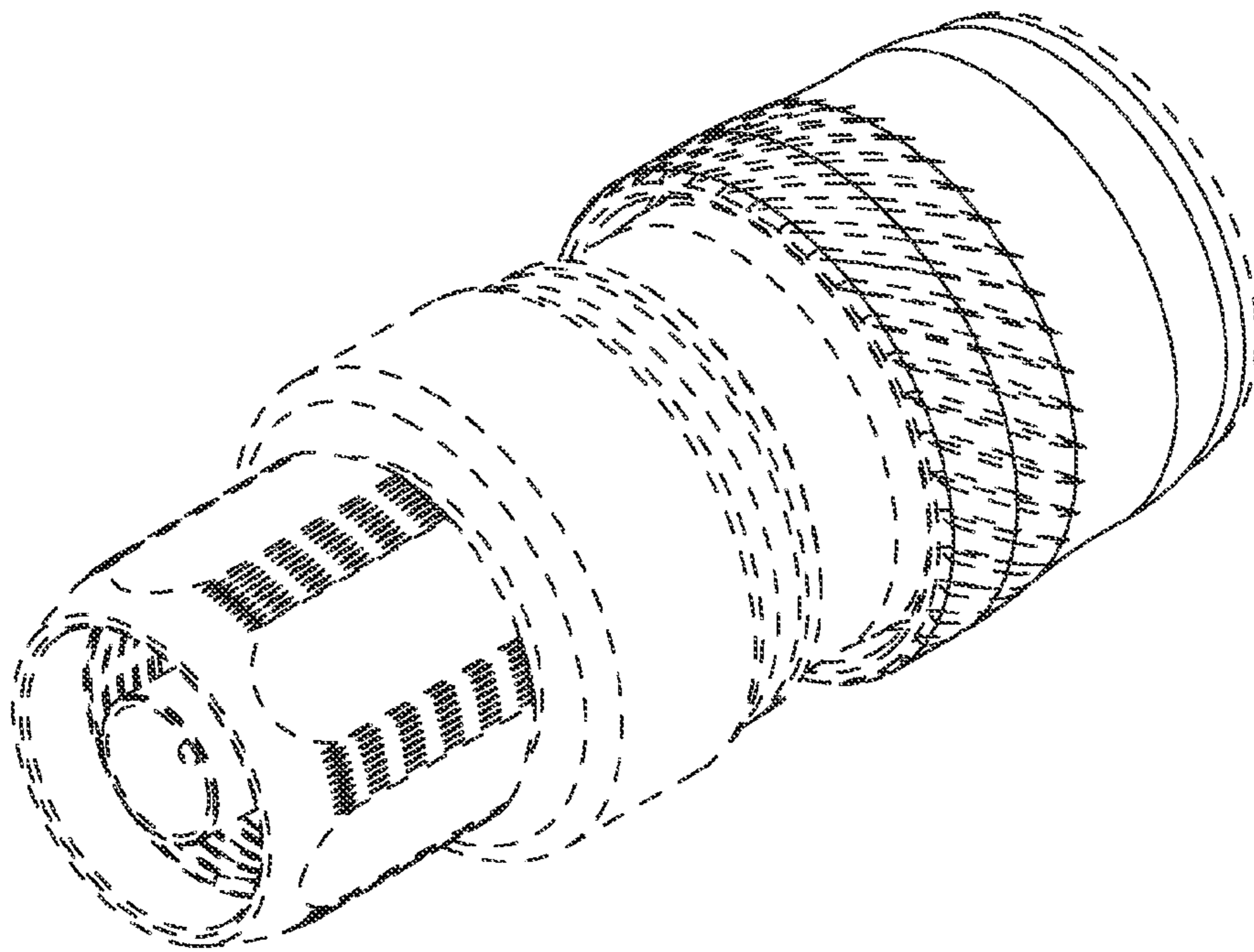


FIG. 8