



US00D669860S

(12) **United States Design Patent**  
**Sasaki**

(10) **Patent No.:** **US D669,860 S**

(45) **Date of Patent:** **\*\* Oct. 30, 2012**

(54) **ELECTRICAL CONNECTOR**

(75) Inventor: **Daisuke Sasaki**, Yao (JP)

(73) Assignee: **Hosiden Corporation**, Yao-shi (JP)

(\*\*) Term: **14 Years**

(21) Appl. No.: **29/409,632**

(22) Filed: **Dec. 27, 2011**

(30) **Foreign Application Priority Data**

Jul. 22, 2011 (JP) ..... 2011-016926

(51) **LOC (9) Cl.** ..... **13-03**

(52) **U.S. Cl.** ..... **D13/147**

(58) **Field of Classification Search** ..... D13/147,  
D13/154, 184, 199; D14/432, 433, 436,  
D14/438; 439/62, 79, 159-160, 260, 395,  
439/422, 495, 499, 746, 749, 790, 849-850,  
439/870, 877, 884-885, 887-888

See application file for complete search history.

(56) **References Cited**

**U.S. PATENT DOCUMENTS**

D470,110 S *	2/2003	Yamane	.....	D13/147
D472,219 S *	3/2003	Miura	.....	D13/147
D482,327 S *	11/2003	Saito et al.	.....	D13/147
D500,985 S *	1/2005	Yamane et al.	.....	D13/147
D501,183 S *	1/2005	Yamane et al.	.....	D13/147
D517,494 S *	3/2006	Ikenaga et al.	.....	D13/147
D526,617 S *	8/2006	Yamane et al.	.....	D13/147
D564,970 S *	3/2008	Higuchi et al.	.....	D13/147

\* cited by examiner

*Primary Examiner* — Daniel Bui

(74) *Attorney, Agent, or Firm* — Kratz, Quintos & Hanson, LLP

(57) **CLAIM**

The ornamental design for an electrical connector, as shown and described.

**DESCRIPTION**

FIG. 1 is a front elevational view of an electric connector according to the present invention;

FIG. 2 is a back elevational view thereof;

FIG. 3 is a top plan view thereof;

FIG. 4 is a bottom plan view thereof;

FIG. 5 is a right side elevational view, the left side elevational view being a mirror image thereof;

FIG. 6 is a top, front and right side perspective view thereof;

FIG. 7 is a bottom, back and left side perspective view thereof;

FIG. 8 is a cross-sectional view thereof taken along line 8-8 of FIG. 1;

FIG. 9 is a cross-sectional view thereof taken along line 9-9 of FIG. 1;

FIG. 10 is a cross-sectional view thereof taken along line 10-10 of FIG. 3;

FIG. 11 is a cross-sectional view thereof taken along line 11-11 of FIG. 3;

FIG. 12 is a cross-sectional view thereof taken along line 12-12 of FIG. 3;

FIG. 13 is a front elevational view thereof in use condition,

FIG. 14 is a back elevational view thereof in use condition,

FIG. 15 is a top plan view thereof in use condition,

FIG. 16 is a bottom plan view thereof in use condition,

FIG. 17 is a right side elevational view thereof in use condition; and,

FIG. 18 is a top, front, and right side perspective view thereof in use condition.

**1 Claim, 18 Drawing Sheets**

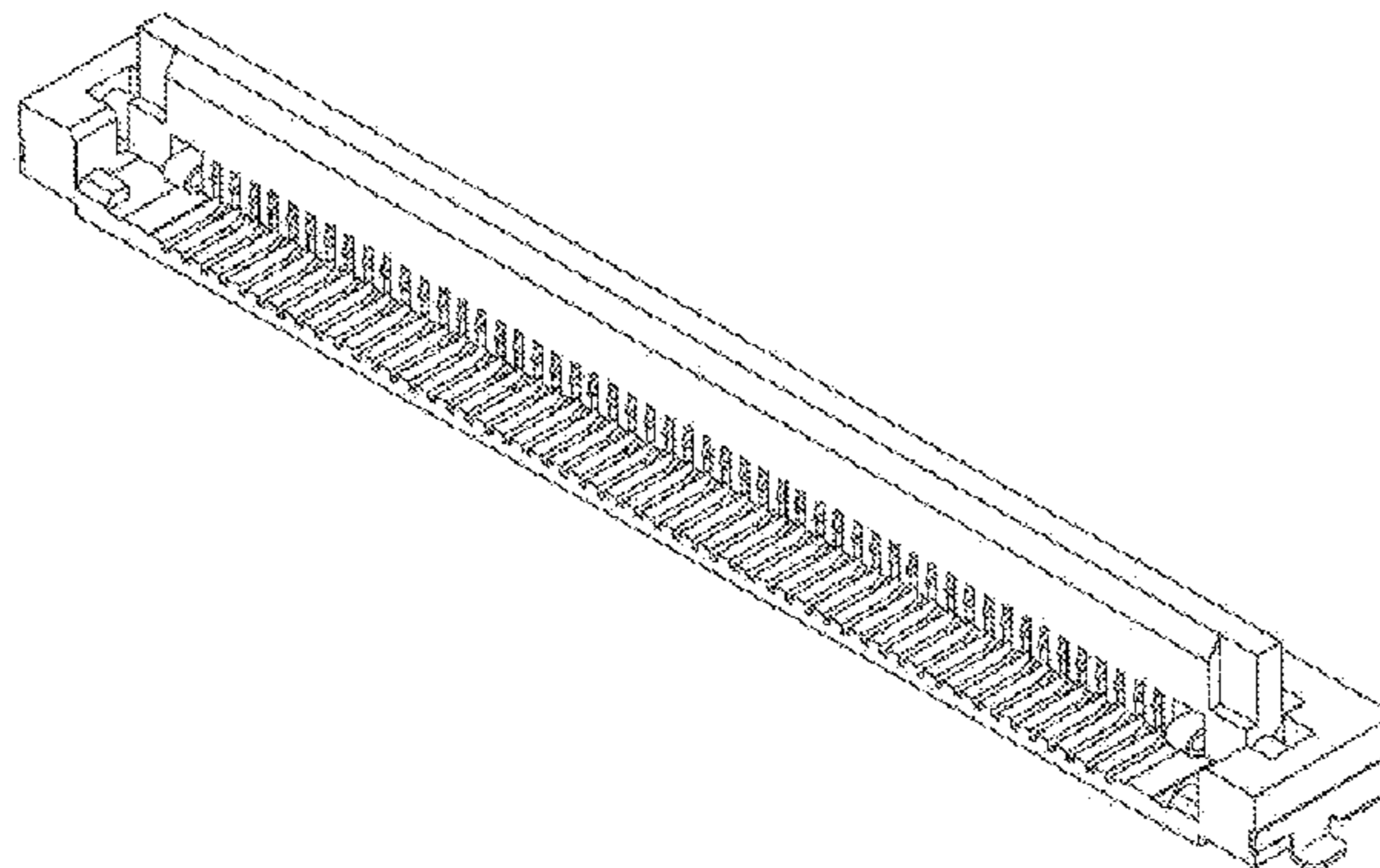


FIG. 1

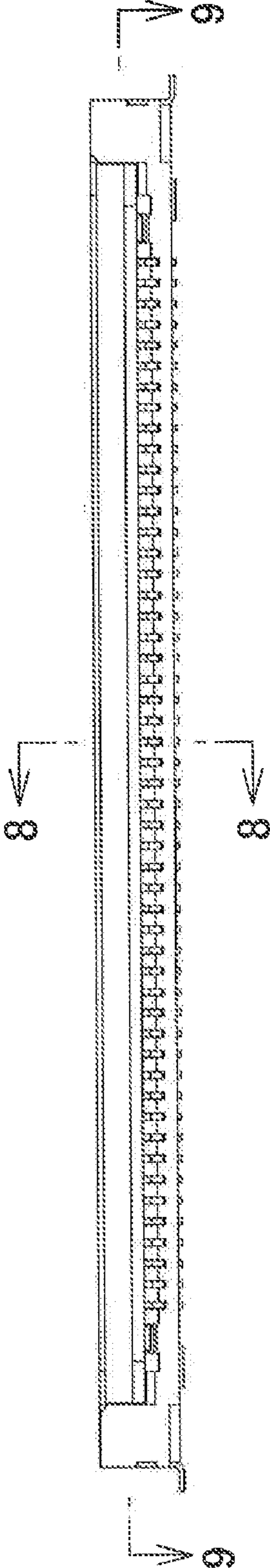


FIG. 2

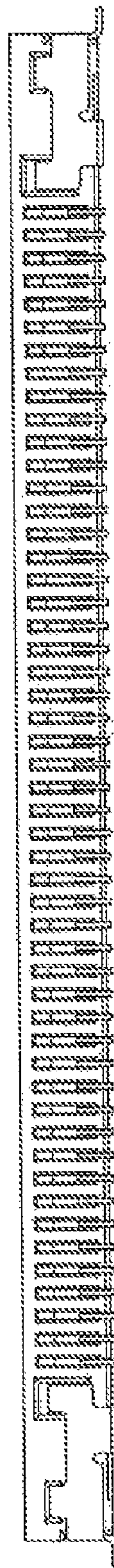


FIG. 3

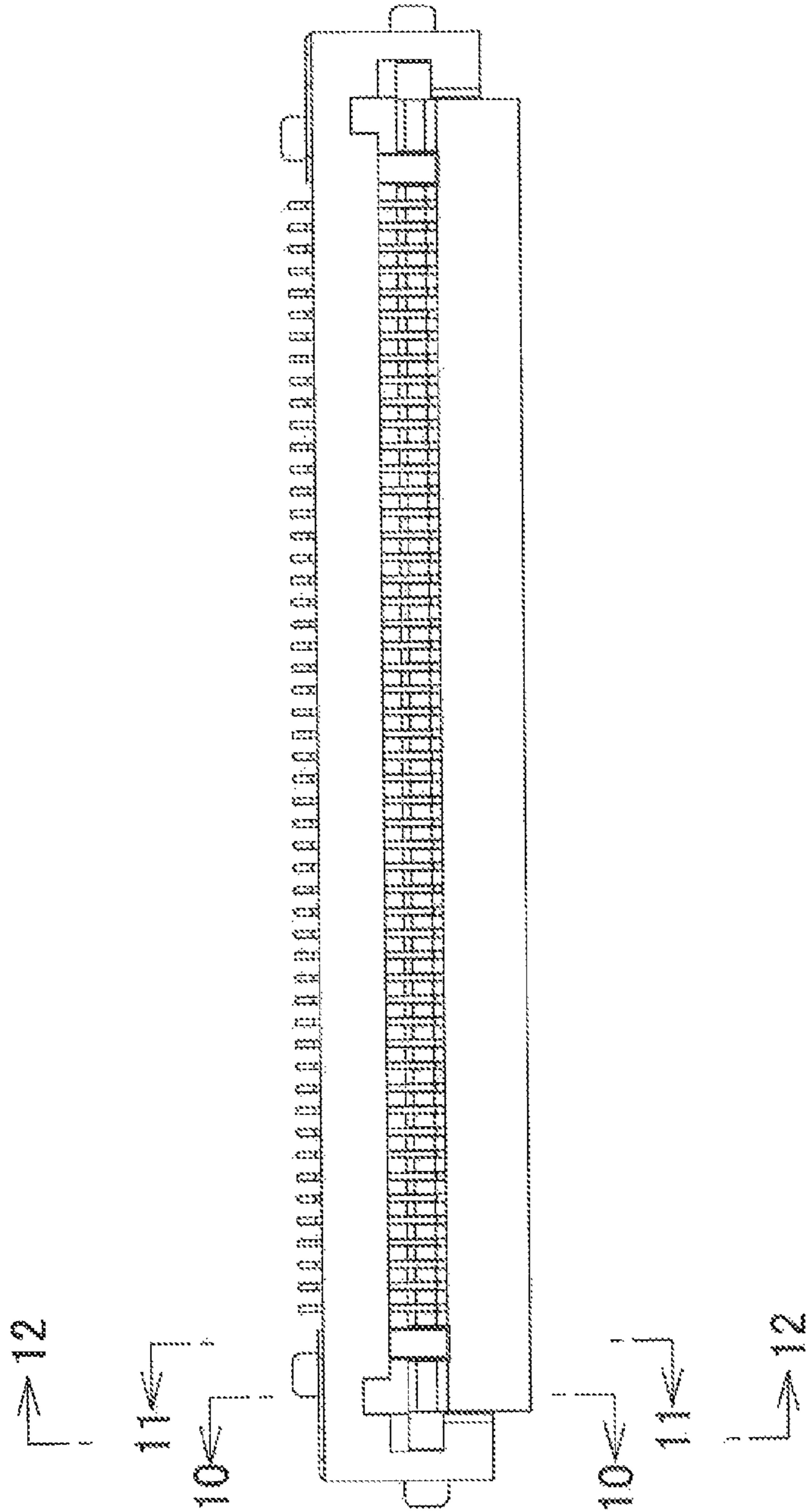


FIG. 4

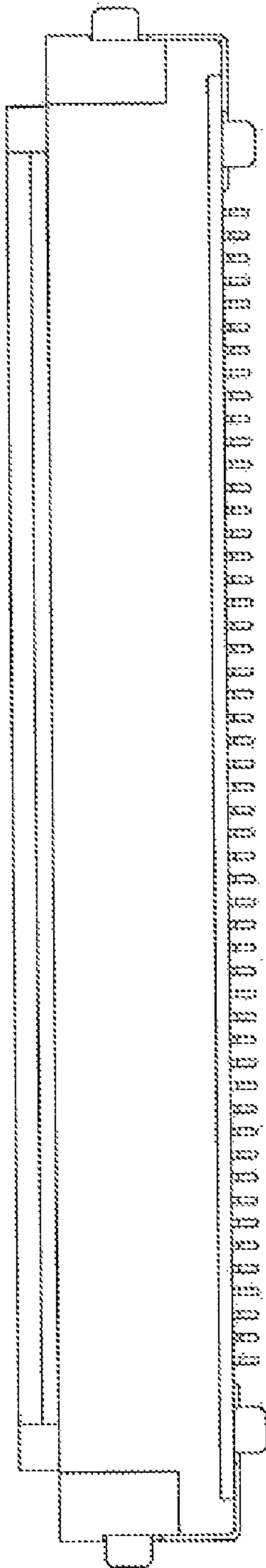


FIG. 5

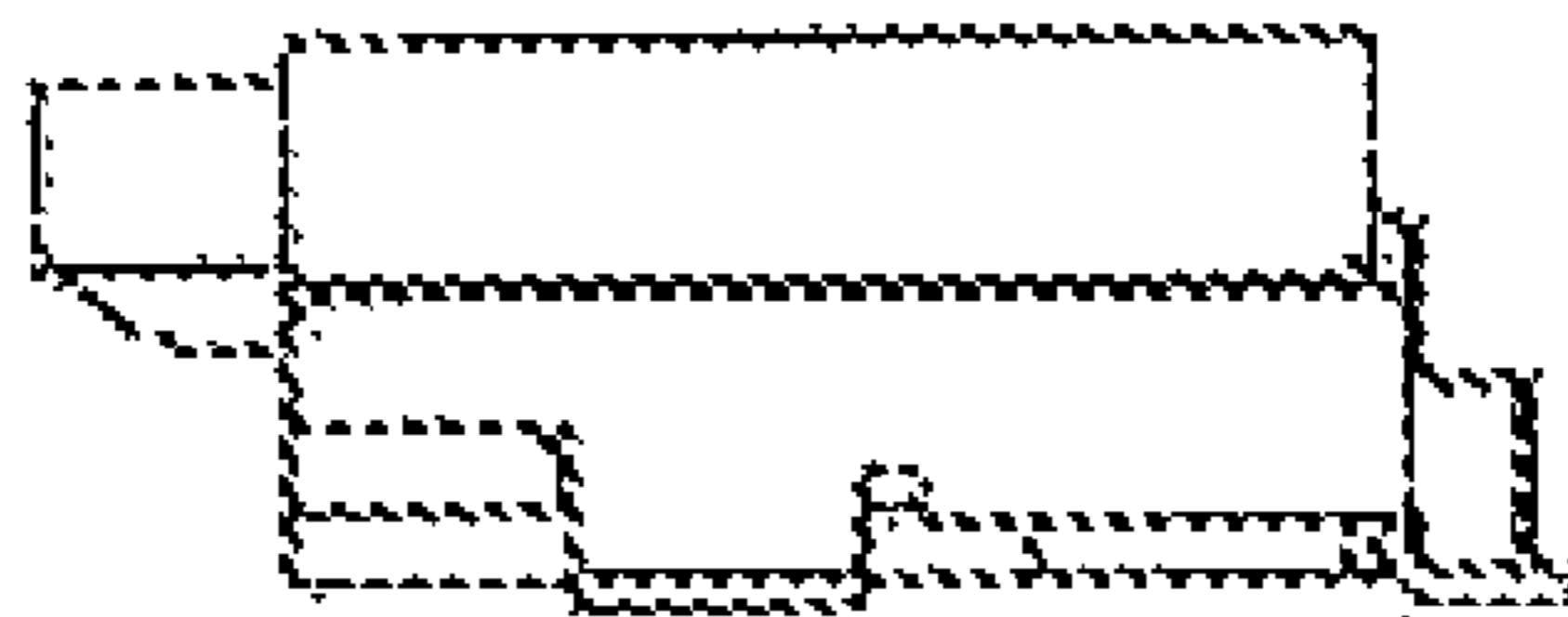


FIG. 6

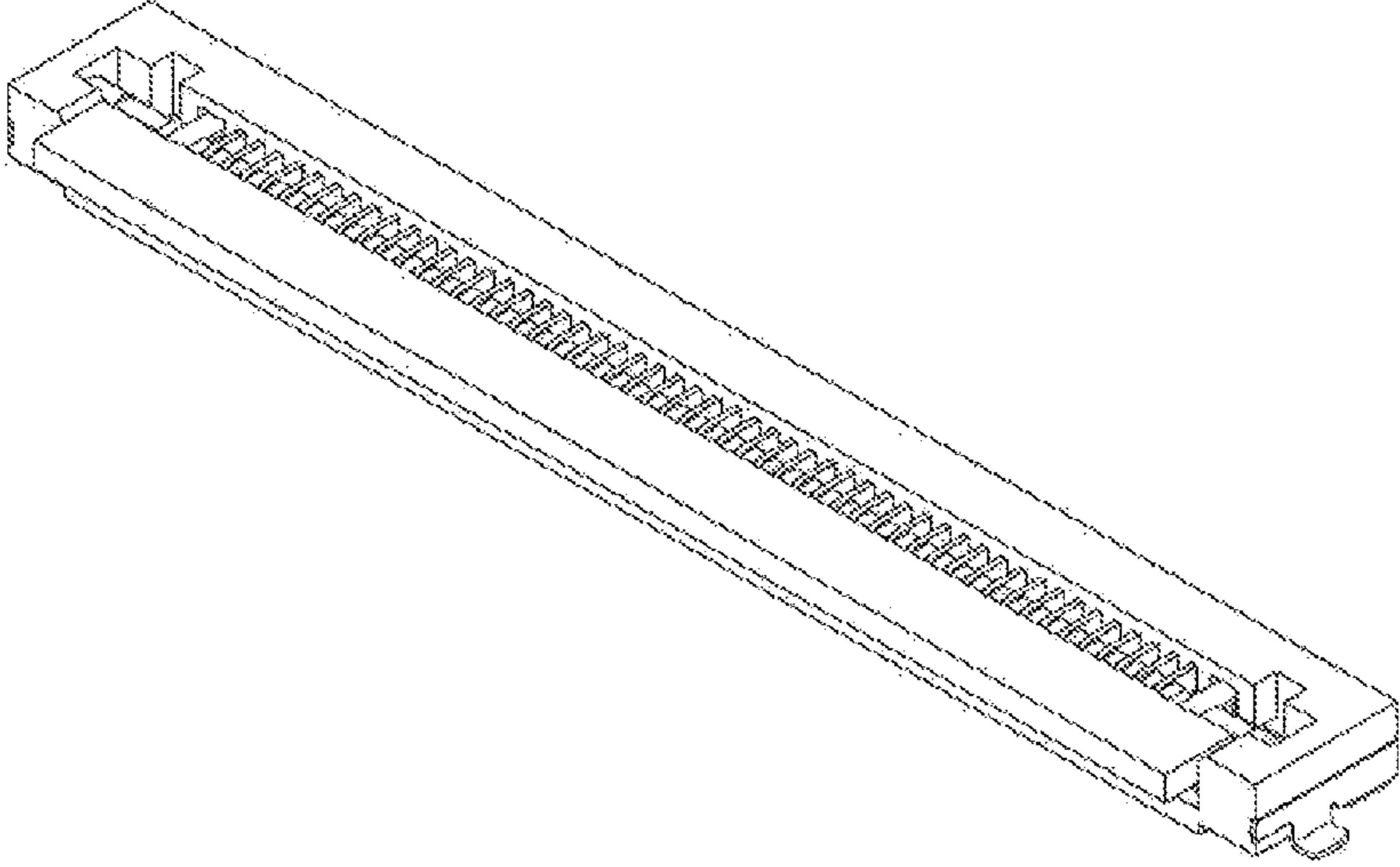


FIG. 7

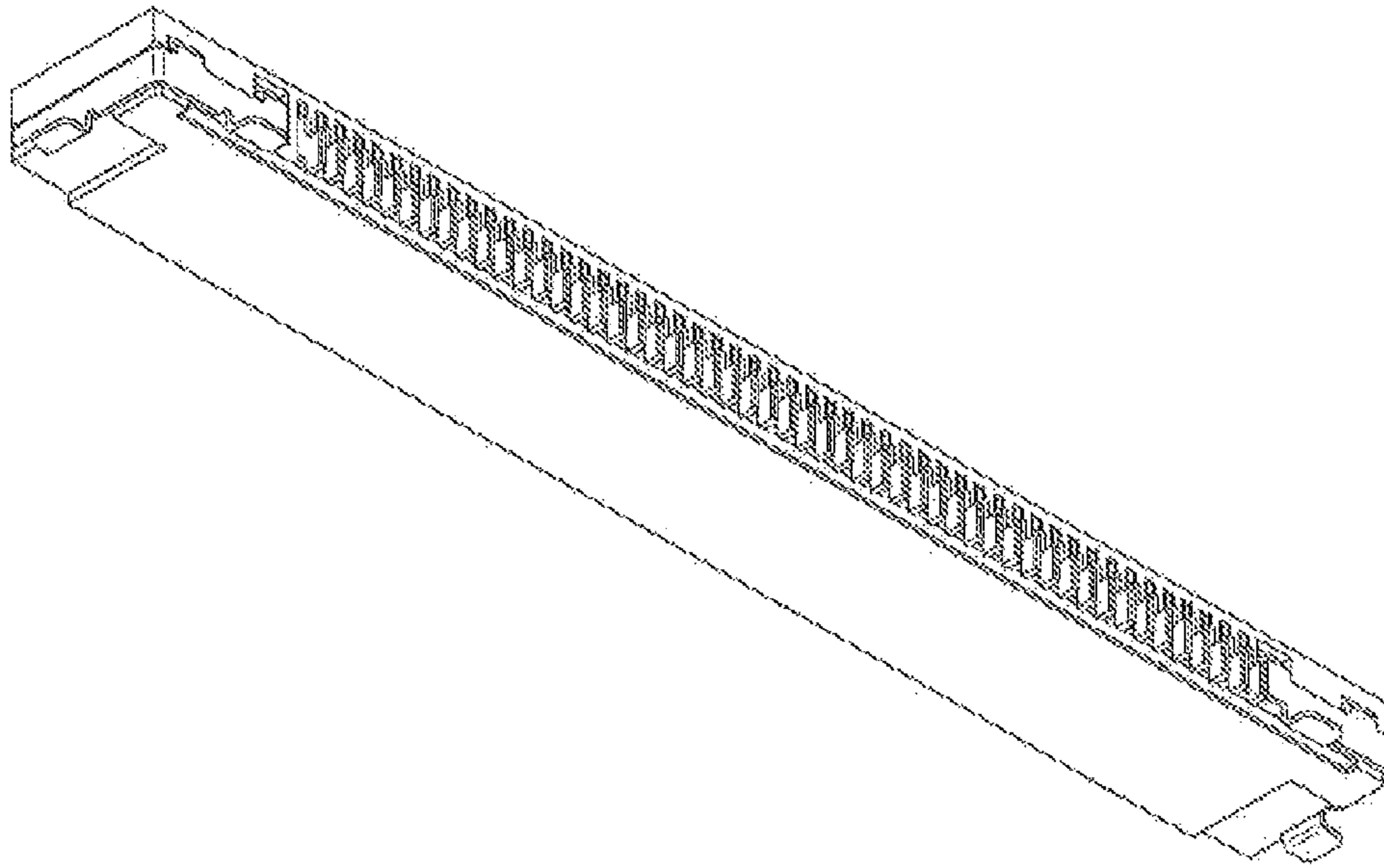




FIG. 8



FIG. 9

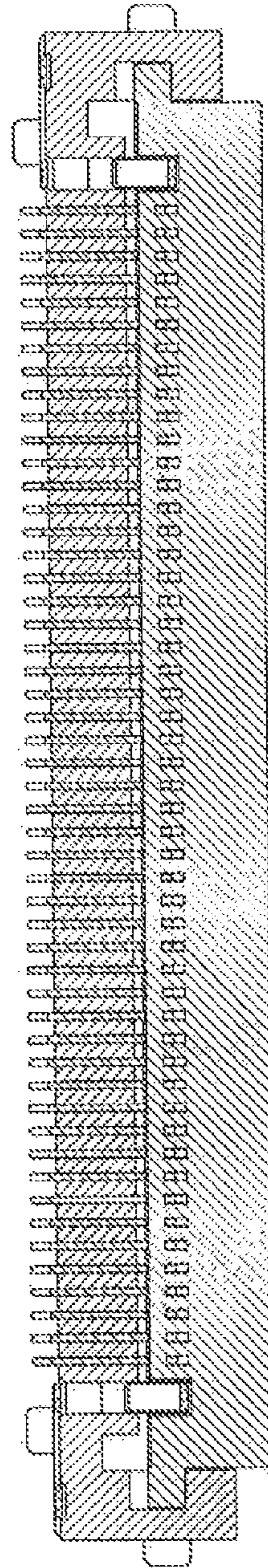


FIG. 10



FIG. 11



FIG. 12

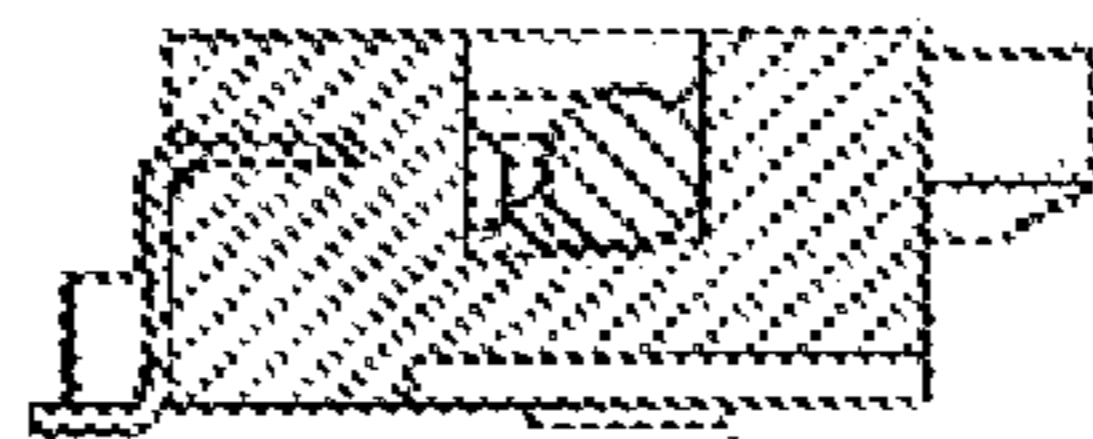


FIG. 13

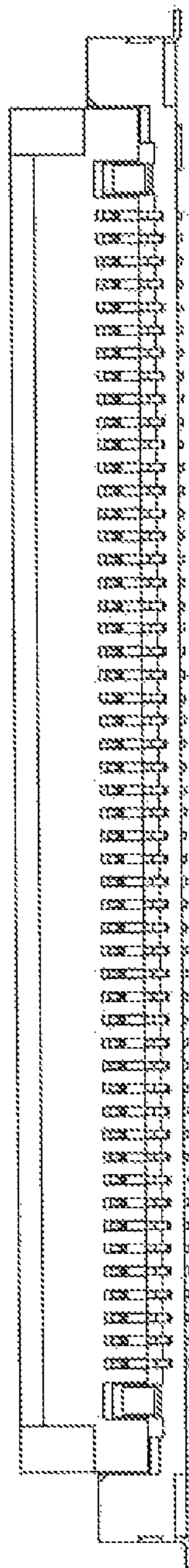


FIG. 14

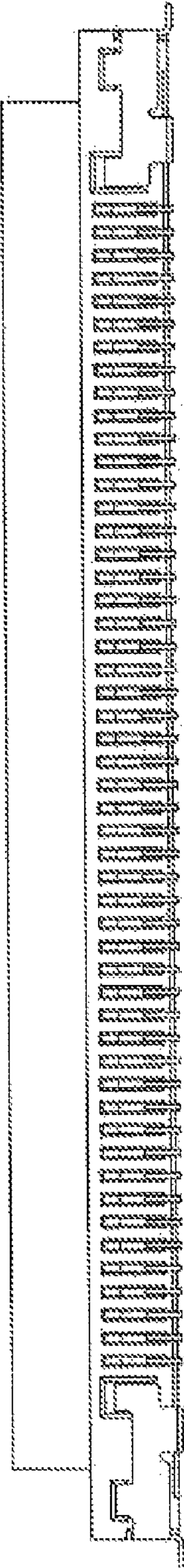


FIG. 15

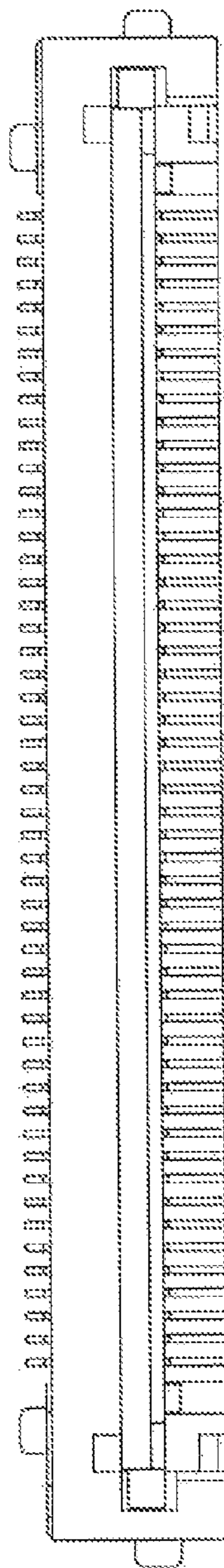




FIG. 16

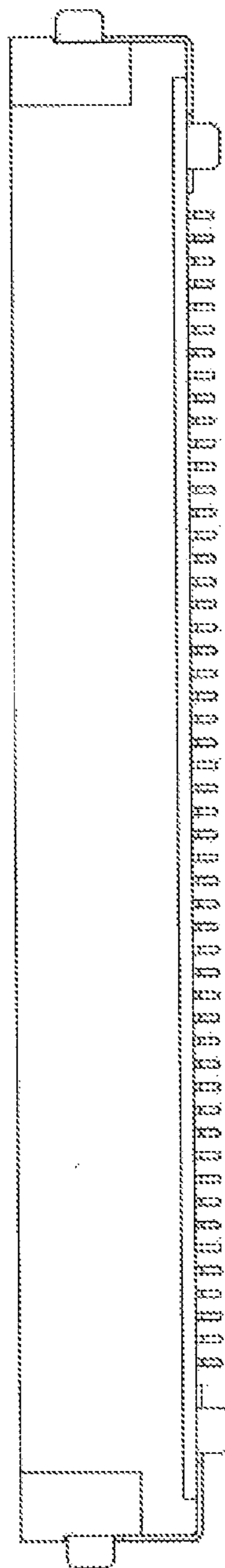


FIG. 17

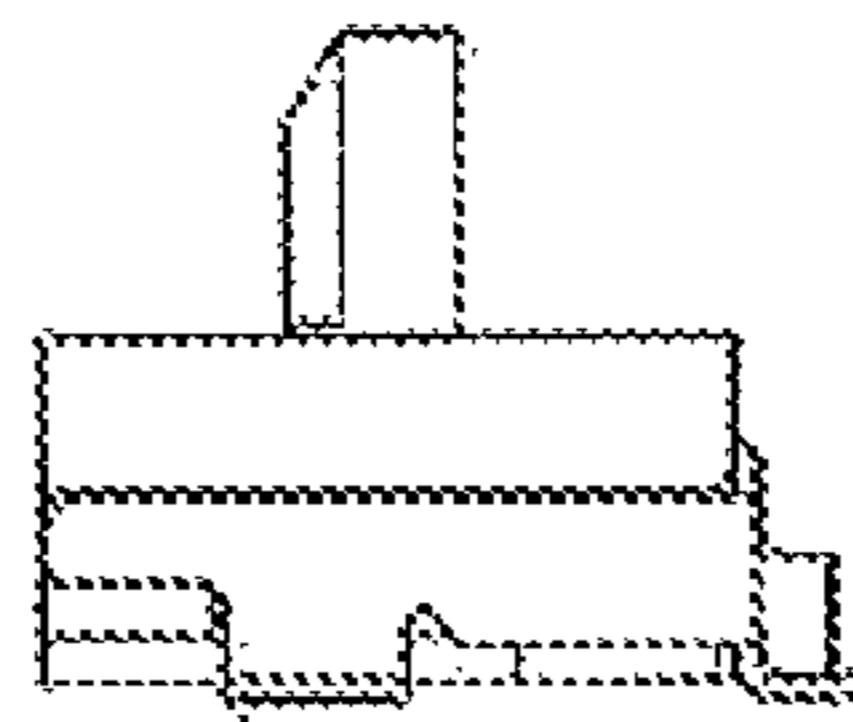


FIG. 18

