

US00D669859S

(12) **United States Design Patent**
Kajiura et al.

(10) **Patent No.:** **US D669,859 S**

(45) **Date of Patent:** **** Oct. 30, 2012**

(54) **ELECTRICAL CONNECTOR**

- (75) Inventors: **Motomu Kajiura**, Tokyo (JP);
Yasutoshi Kameda, Kisarazu (JP);
Jeffery Garvais, Beaverton, OR (US)
- (73) Assignees: **FCI**, Guyancourt (FR); **FCI Americas Technology LLC**, Carson City, NV (US)
- (**) Term: **14 Years**

(21) Appl. No.: **29/407,370**

(22) Filed: **Nov. 28, 2011**

(51) **LOC (9) Cl.** **13-03**

(52) **U.S. Cl.** **D13/147**

(58) **Field of Classification Search** D13/120,
D13/133, 146, 147, 154, 184, 199; 439/839,
439/849–850, 852, 862, 870, 877, 884–885,
439/887–891

See application file for complete search history.

(56) **References Cited**

U.S. PATENT DOCUMENTS

3,612,747	A	10/1971	Shlesinger, Jr.	
D227,767	S	7/1973	Gillespie	
4,171,858	A	10/1979	Knowles et al.	
4,560,226	A	12/1985	Dennis	
4,749,368	A	6/1988	Mouissie	
5,567,545	A	10/1996	Murakami	
5,631,098	A	5/1997	Suzuki	
D408,353	S	4/1999	Yoshiura	
D409,143	S	5/1999	Yoshiura	
D410,226	S	5/1999	Yoshiura	
6,083,059	A	7/2000	Kuan	
6,129,168	A	10/2000	Lotito et al.	
D447,122	S	8/2001	Harasawa et al.	
6,315,621	B1	11/2001	Natori et al.	
D473,192	S	4/2003	Ouchi et al.	
D481,996	S	11/2003	Kihira et al.	
D485,807	S	1/2004	Kao et al.	
6,835,089	B2 *	12/2004	Hayes et al.	439/404
6,932,382	B2	8/2005	Hayes et al.	
7,001,205	B2 *	2/2006	Godefroy et al.	439/422
D528,985	S	9/2006	Peng	
D529,443	S	10/2006	Chien	
D530,679	S	10/2006	Li et al.	
D538,228	S	3/2007	Wang et al.	

(Continued)

OTHER PUBLICATIONS

U.S. Appl. No. 13/226,864, filed Sep. 7, 2011, de Bruijn et al.

(Continued)

Primary Examiner — Daniel Bui

(74) *Attorney, Agent, or Firm* — Woodcock Washburn LLP

(57) **CLAIM**

The ornamental design for an electrical connector, as shown and described.

DESCRIPTION

The present application is related by subject matter to U.S. Design patent application Ser. No. 29/393,270 entitled “Electrical Terminal” filed on Jun. 1, 2011, pending, U.S. Design patent application Ser. No. 29/393,276 entitled “Electrical Connector” filed on Jun. 1, 2011, pending, U.S. Design patent application Ser. No. 29/393,280 entitled “Electrical Connector” filed on Jun. 1, 2011, pending, U.S. Design patent application Ser. No. 29/393,282 entitled “Electrical Terminals for Electrical Connector” filed on Jun. 1, 2011, pending, U.S. Design patent application Ser. No. 29/393,269 entitled “Electrical Terminal” filed on Jun. 1, 2011, pending, U.S. Design patent application Ser. No. 29/393,278 entitled “Electrical Terminal” filed on Jun. 1, 2011, pending, U.S. Design patent application Ser. No. 29/393,281 entitled “Electrical Terminal” filed on Jun. 1, 2011, pending, U.S. Design patent application Ser. No. 29/393,283 entitled “Electrical Terminal” filed on Jun. 1, 2011, pending, and U.S. Design patent application Ser. No. 29/407,363, entitled “Housing for Electrical Connector” filed on Nov. 28, 2011, pending.

FIG. 1 is a top, right, front perspective view of an electrical connector according to our design;

FIG. 2 is a bottom, left, rear perspective view thereof;

FIG. 3 is a front elevation view thereof;

FIG. 4 is a rear elevation view thereof;

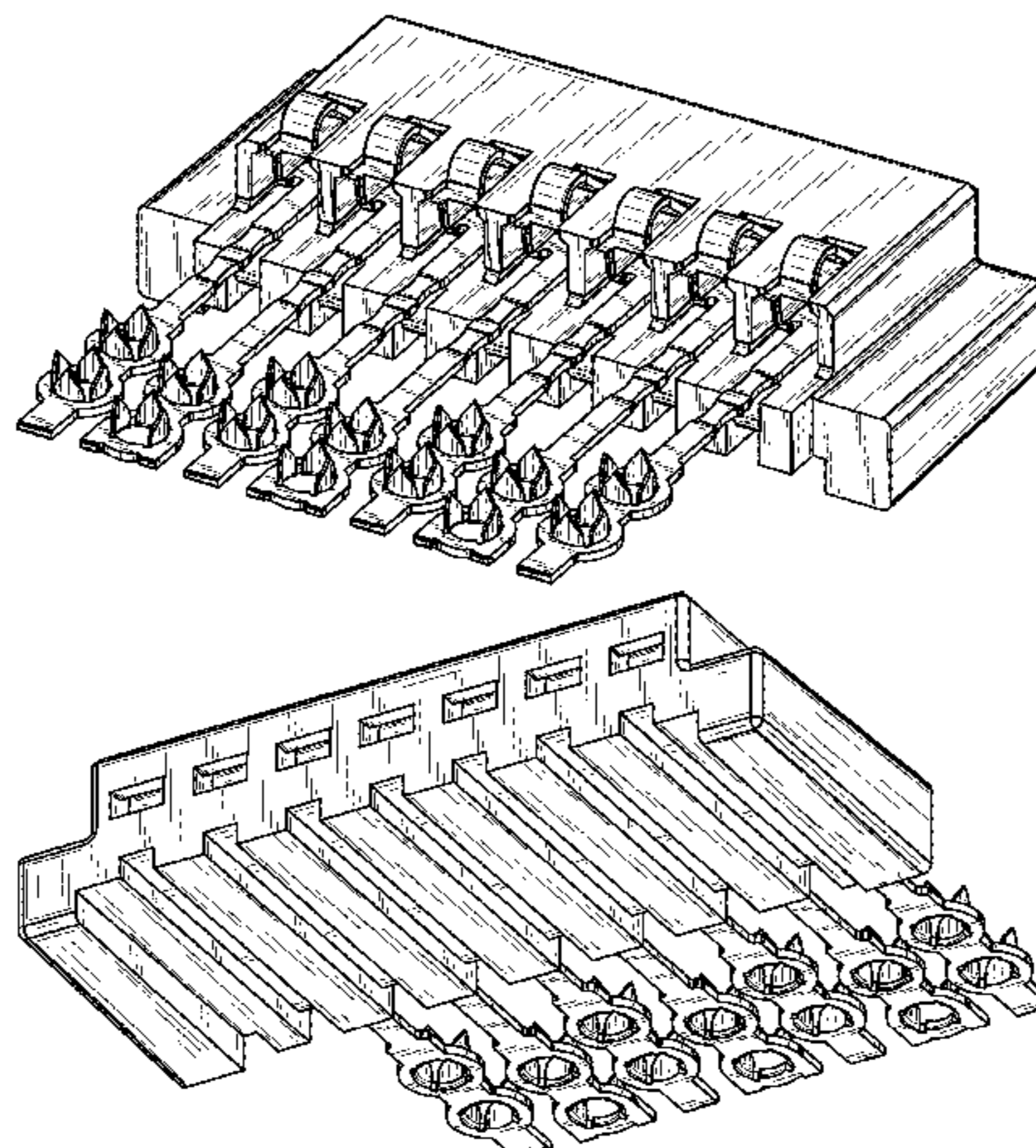
FIG. 5 is a left side elevation view thereof;

FIG. 6 is a right side elevation view thereof;

FIG. 7 is a top plan view thereof; and,

FIG. 8 is a bottom plan view thereof.

1 Claim, 3 Drawing Sheets



US D669,859 S

Page 2

U.S. PATENT DOCUMENTS

D555,093 S 11/2007 Chien et al.
D555,095 S 11/2007 Ho
D555,096 S 11/2007 Peng
D555,131 S 11/2007 Kim et al.
D556,131 S 11/2007 Chien
D556,135 S 11/2007 Dwan et al.
D559,180 S * 1/2008 Lai et al. D13/120
7,335,068 B2 2/2008 Dwan et al.
D568,246 S 5/2008 Wu et al.
D568,248 S 5/2008 Chen et al.
D569,343 S 5/2008 Hung et al.
D569,801 S 5/2008 Chuang
D569,802 S 5/2008 Long et al.
D570,288 S 6/2008 Ma et al.
D582,348 S 12/2008 Shiu
D584,231 S 1/2009 Wu
D584,237 S * 1/2009 Zhu D13/154
D586,294 S 2/2009 Lung
D596,575 S 7/2009 Chen et al.
D601,970 S 10/2009 Peng et al.
D601,971 S 10/2009 Chen et al.
D603,795 S 11/2009 Kono
D605,137 S 12/2009 Yu et al.
D607,834 S 1/2010 Huang
D607,835 S 1/2010 Huang
D608,295 S 1/2010 Huang
7,662,507 B2 2/2010 Schwendinger et al.
D614,493 S 4/2010 Creed et al.
D614,507 S 4/2010 Lukan et al.
D614,583 S 4/2010 Wang

D615,493 S 5/2010 Kalis
D618,173 S 6/2010 Wang et al.
D619,538 S 7/2010 Peng
D642,981 S * 8/2011 de Bruijn et al. D13/120
D644,177 S 8/2011 de Bruijn et al.
D647,863 S 11/2011 Su et al.
D649,517 S * 11/2011 de Bruijn et al. D13/147
2004/0038121 A1 2/2004 Song et al.
2007/0243458 A1 10/2007 Roehm et al.
2008/0193837 A1 8/2008 Lu

OTHER PUBLICATIONS

U.S. Appl. No. 29/369,322, filed Sep. 7, 2010, de Bruijn et al.
U.S. Appl. No. 29/369,327, filed Sep. 7, 2010, de Bruijn et al.
U.S. Appl. No. 29/379,333, filed Sep. 7, 2010, de Bruijn et al.
U.S. Appl. No. 29/384,323, filed Jan. 28, 2011, de Bruijn et al.
U.S. Appl. No. 29/384,325, filed Jan. 28, 2011, de Bruijn et al.
U.S. Appl. No. 29/393,268, filed Jun. 1, 2011, Kajiura et al.
U.S. Appl. No. 29/393,270, filed Jun. 1, 2011, Kajiura et al.
U.S. Appl. No. 29/393,276, filed Nov. 28, 2011, Kajiura et al.
U.S. Appl. No. 29/393,278, filed Jun. 1, 2011, Kameda et al.
U.S. Appl. No. 29/393,280, filed Jun. 1, 2011, Kajiura et al.
U.S. Appl. No. 29/393,281, filed Jun. 1, 2011, Kameda et al.
U.S. Appl. No. 29/393,282, filed Jun. 1, 2011, Kajiura et al.
U.S. Appl. No. 29/393,283, filed Jun. 1, 2011, Kameda et al.
U.S. Appl. No. 29/407,357, filed Nov. 28, 2011, de Bruijn et al.
U.S. Appl. No. 29/407,363, filed Nov. 28, 2011, Kajiura et al.
U.S. Appl. No. 29/393,269, filed Jun. 1, 2011, Kameda et al.

* cited by examiner

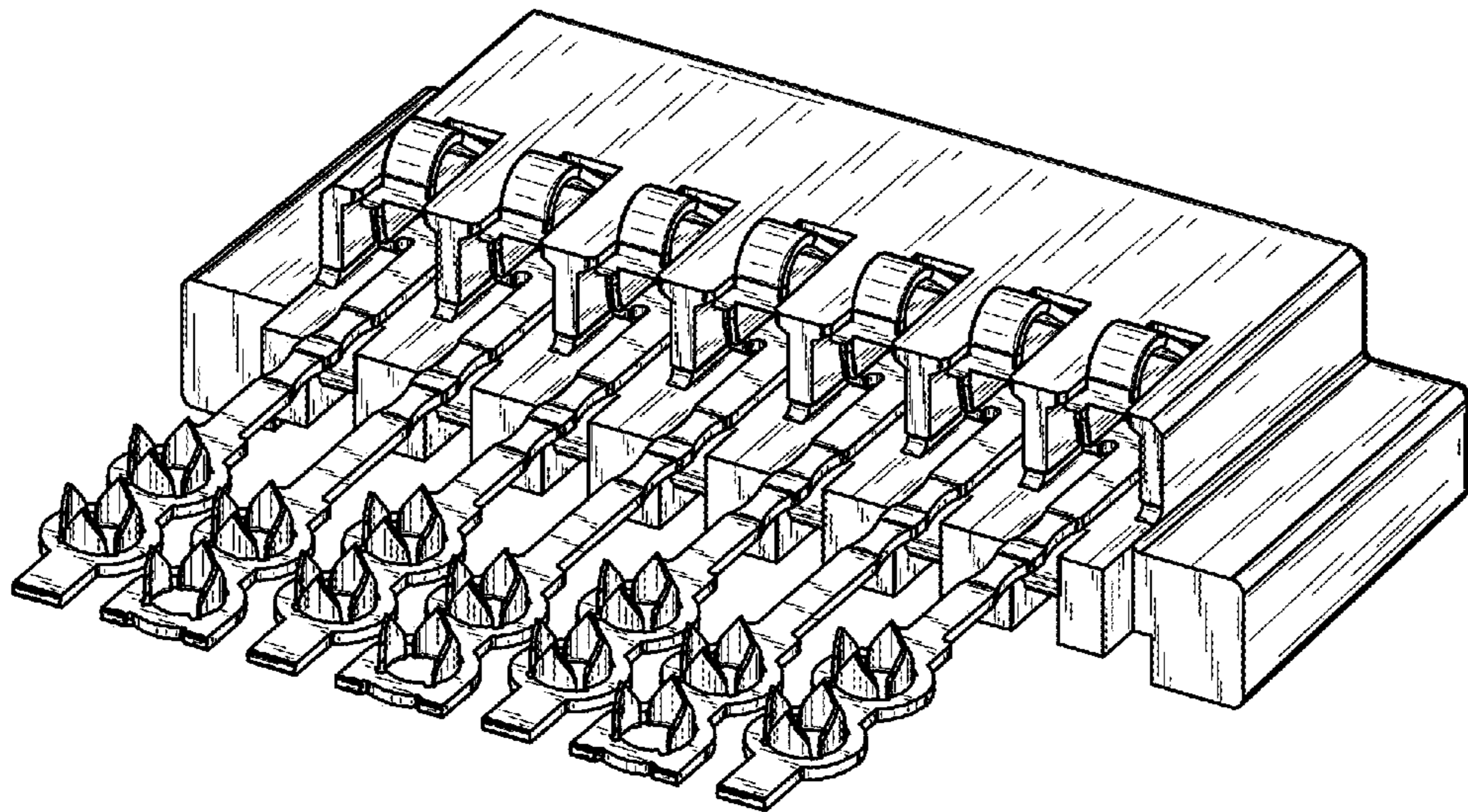


Fig.1

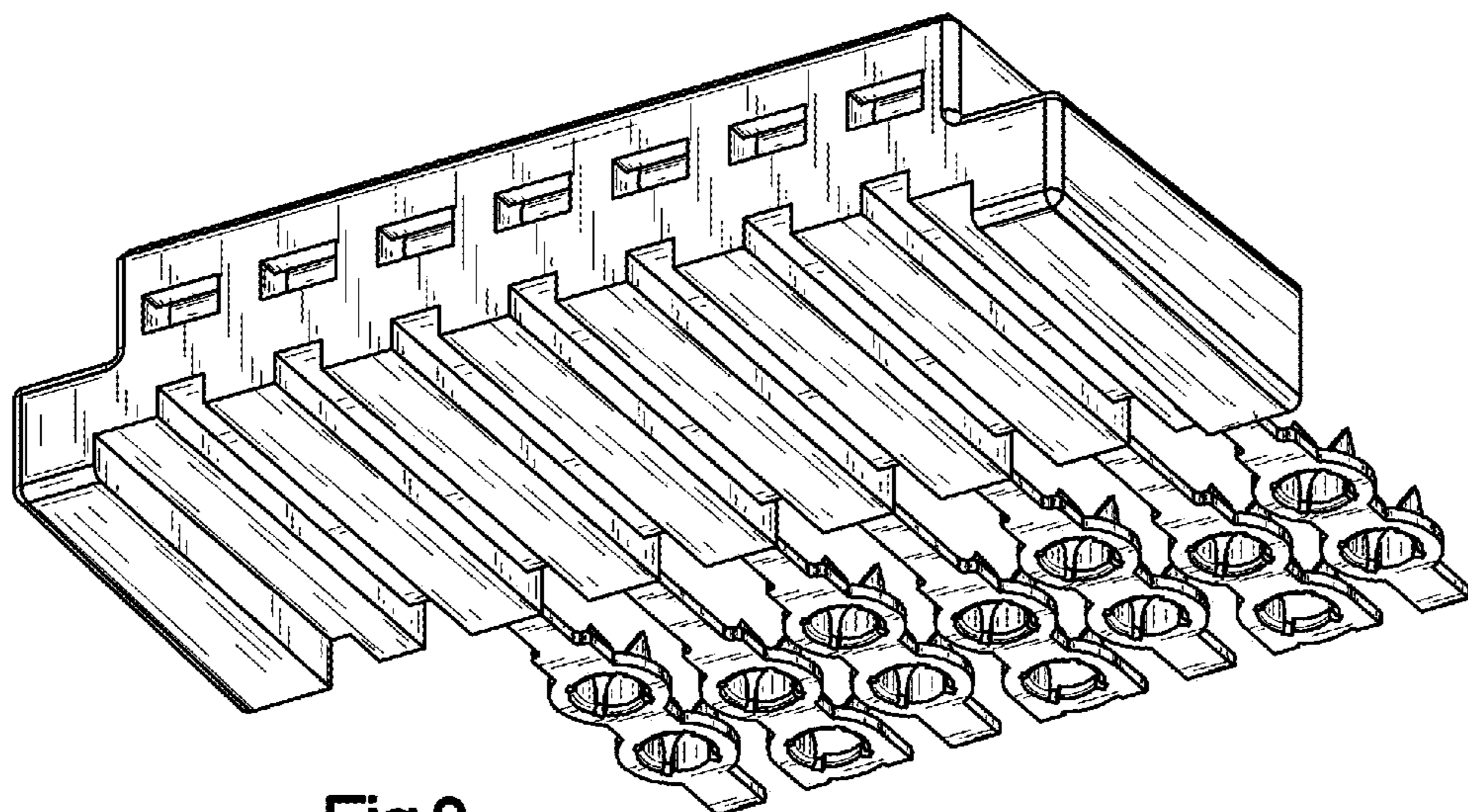


Fig.2

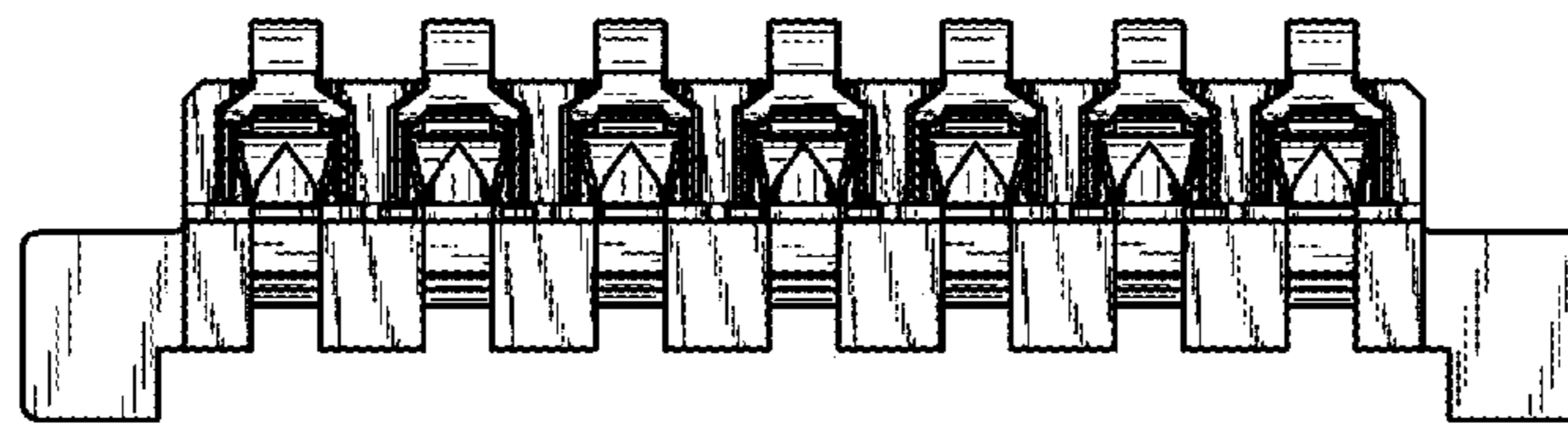


Fig.3

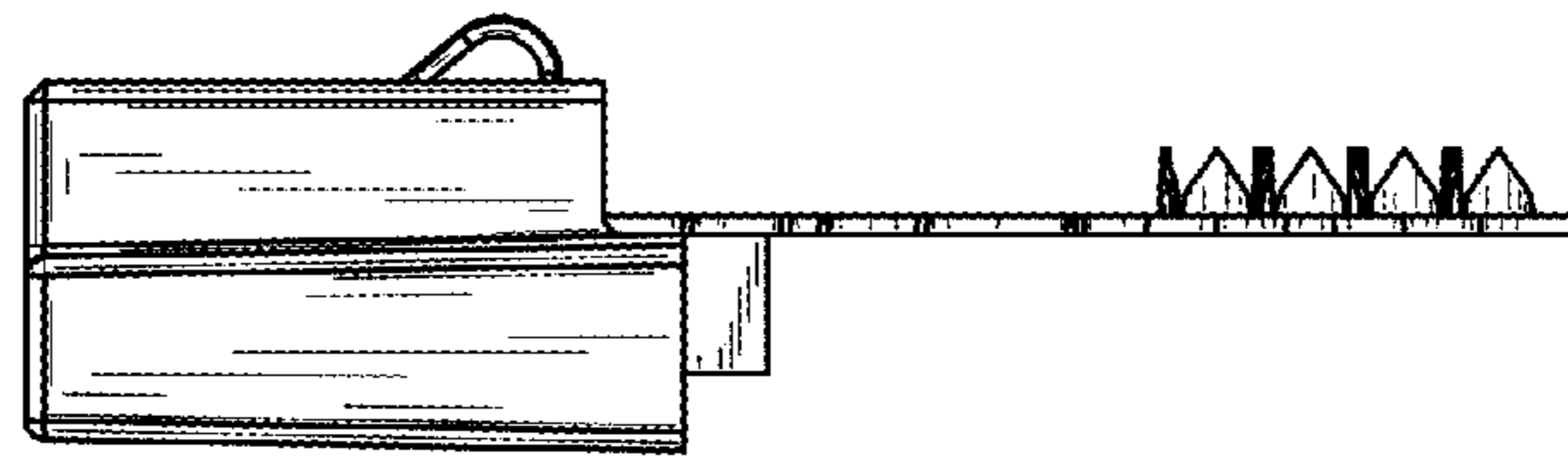


Fig.4

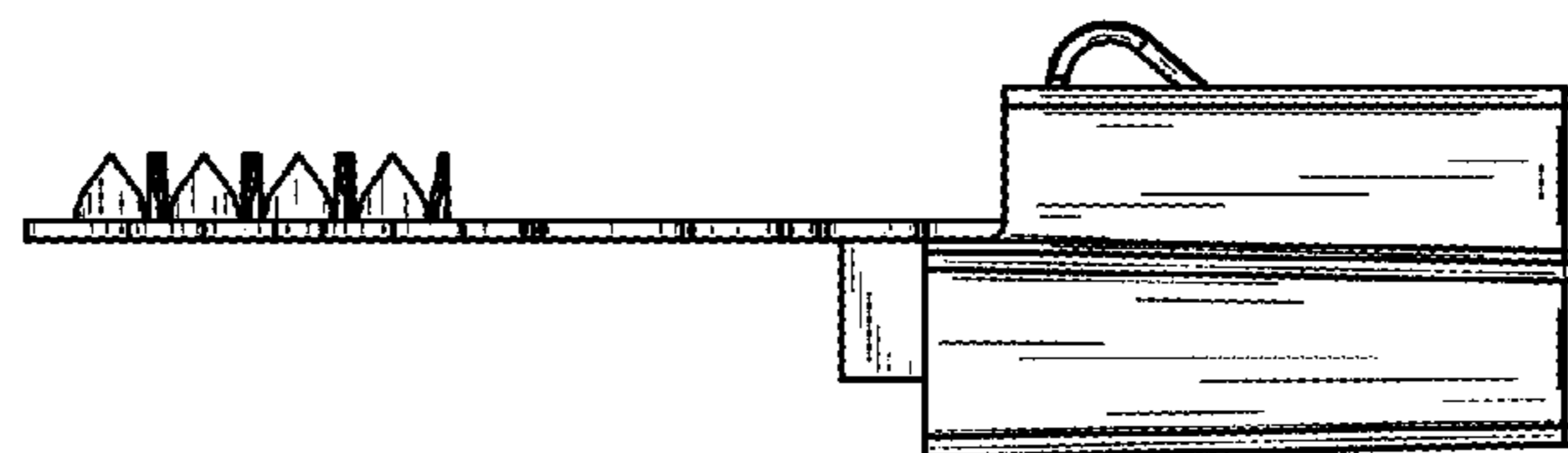


Fig.5

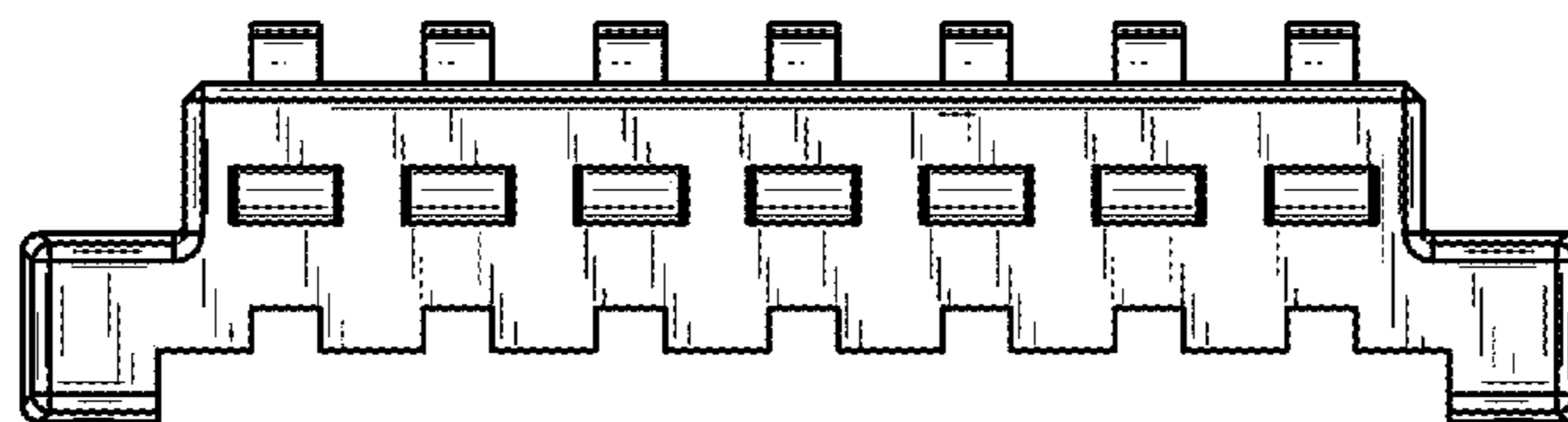


Fig.6

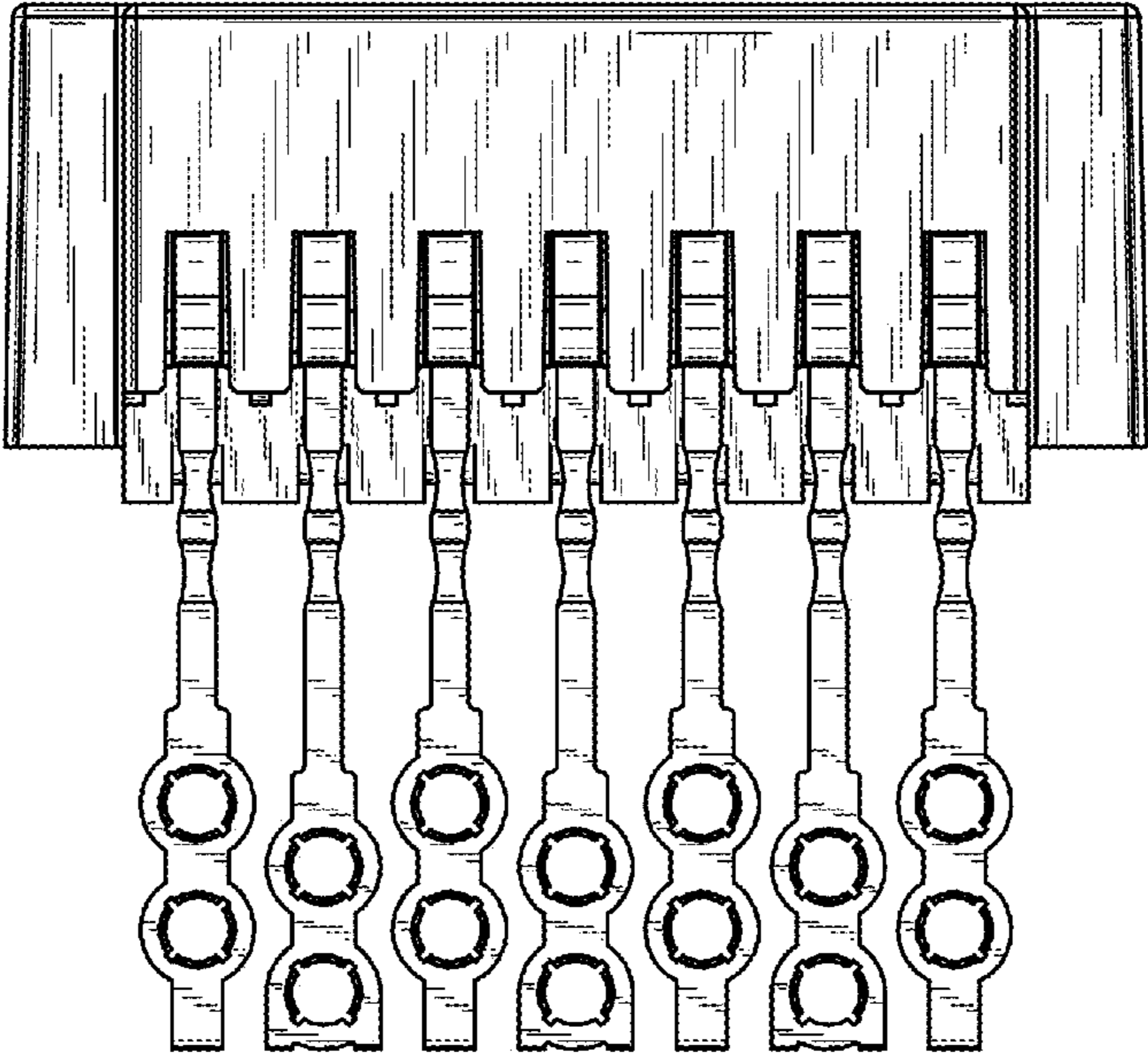


Fig.7

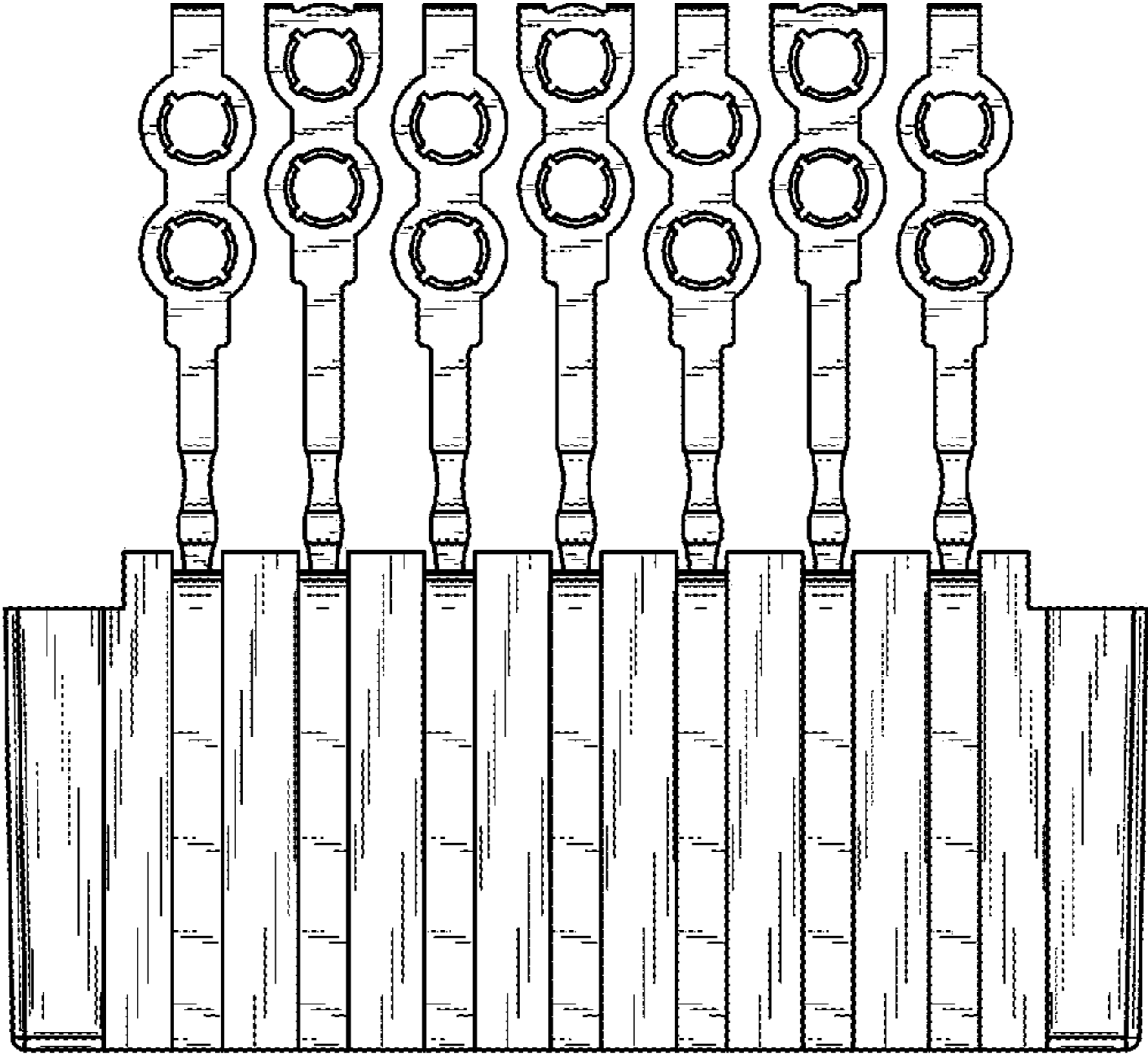


Fig.8