



US00D669855S

(12) **United States Design Patent**
Correll et al.

(10) **Patent No.:** **US D669,855 S**
(45) **Date of Patent:** **** Oct. 30, 2012**

(54) **DIN RAIL MOUNTED POWER
CONDITIONER BASE FOR PROCESS
FIELD BUS**

(75) Inventors: **Michael Anthony Correll**, Hershey, PA
(US); **Terry Lee Barber**, Harrisburg, PA
(US); **Gerwin Müller**, Kiel (DE); **Gerd
Witt**, Kiel (DE)

(73) Assignee: **Phoenix Contact Development &
Manufacturing, Inc.**, Middletown, PA
(US)

(**) Term: **14 Years**

(21) Appl. No.: **29/388,278**

(22) Filed: **Mar. 28, 2011**

(51) **LOC (9) Cl.** **13-03**

(52) **U.S. Cl.** **D13/123**

(58) **Field of Classification Search** D13/146,
D13/147, 151, 159, 184, 199; 439/709, 715,
439/716, 717, 157; 361/823

See application file for complete search history.

(56) **References Cited**

U.S. PATENT DOCUMENTS

D281,415	S	11/1985	Nusse	
D287,117	S	12/1986	Saiki et al.	
D374,430	S	* 10/1996	Loh	D13/162
5,602,363	A	* 2/1997	Von Arx	174/559
D384,938	S	* 10/1997	Hamada et al.	D13/162
5,775,955	A	* 7/1998	Graube et al.	439/717
D413,572	S	9/1999	Byrd et al.	
D415,468	S	* 10/1999	Klaus et al.	D13/134
D472,878	S	4/2003	Kitamura	
D525,197	S	7/2006	Tanabe et al.	

D532,378	S	* 11/2006	Kesler	D13/147
D537,794	S	* 3/2007	Sasaki et al.	D13/159
D539,756	S	* 4/2007	Sasaki et al.	D13/159
7,286,340	B2	* 10/2007	Karim et al.	361/647
D560,611	S	1/2008	Iwao et al.	
D634,713	S	* 3/2011	Giordanino et al.	D13/159
D638,371	S	* 5/2011	Giordanino et al.	D13/159
D638,804	S	* 5/2011	Giordanino et al.	D13/159
2010/0142898	A1	* 6/2010	Teo et al.	385/88

FOREIGN PATENT DOCUMENTS

DE	40307951-0001	10/2004
DE	40307951-0002	10/2004
DE	000865373-0001	7/2008

* cited by examiner

Primary Examiner — Thomas Johannes

(74) *Attorney, Agent, or Firm* — Hooker & Habib, P.C.

(57) **CLAIM**

The ornamental design for a DIN rail mounted power conditioner base for process fieldbus, as shown.

DESCRIPTION

FIG. 1 is a right side perspective view of a DIN rail mounted power conditioner base for process fieldbus showing our new design;

FIG. 2 is a bottom rear perspective view thereof;

FIG. 3 is a bottom plan view thereof;

FIG. 4 is a front plan view thereof;

FIG. 5 is a top plan view thereof;

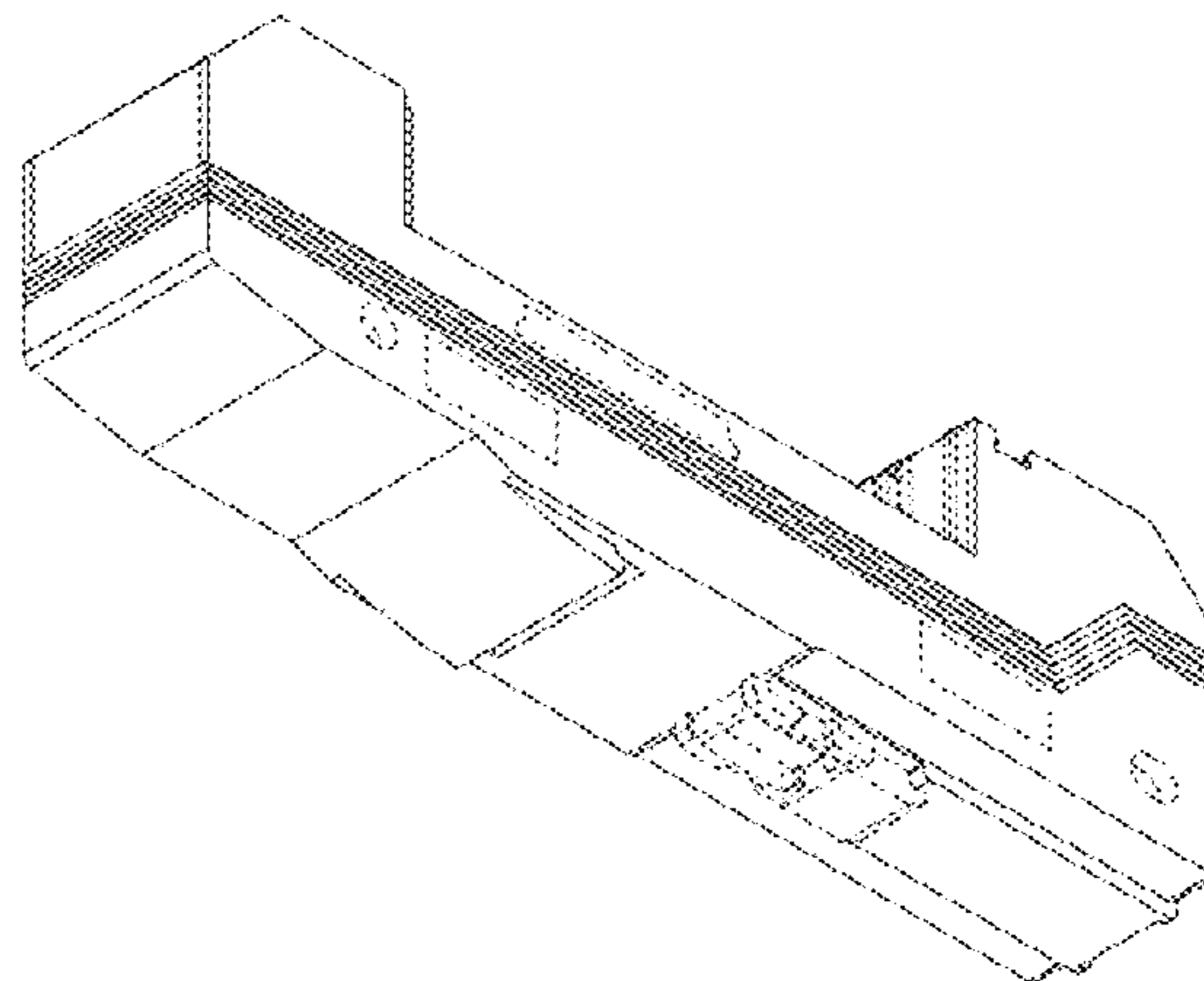
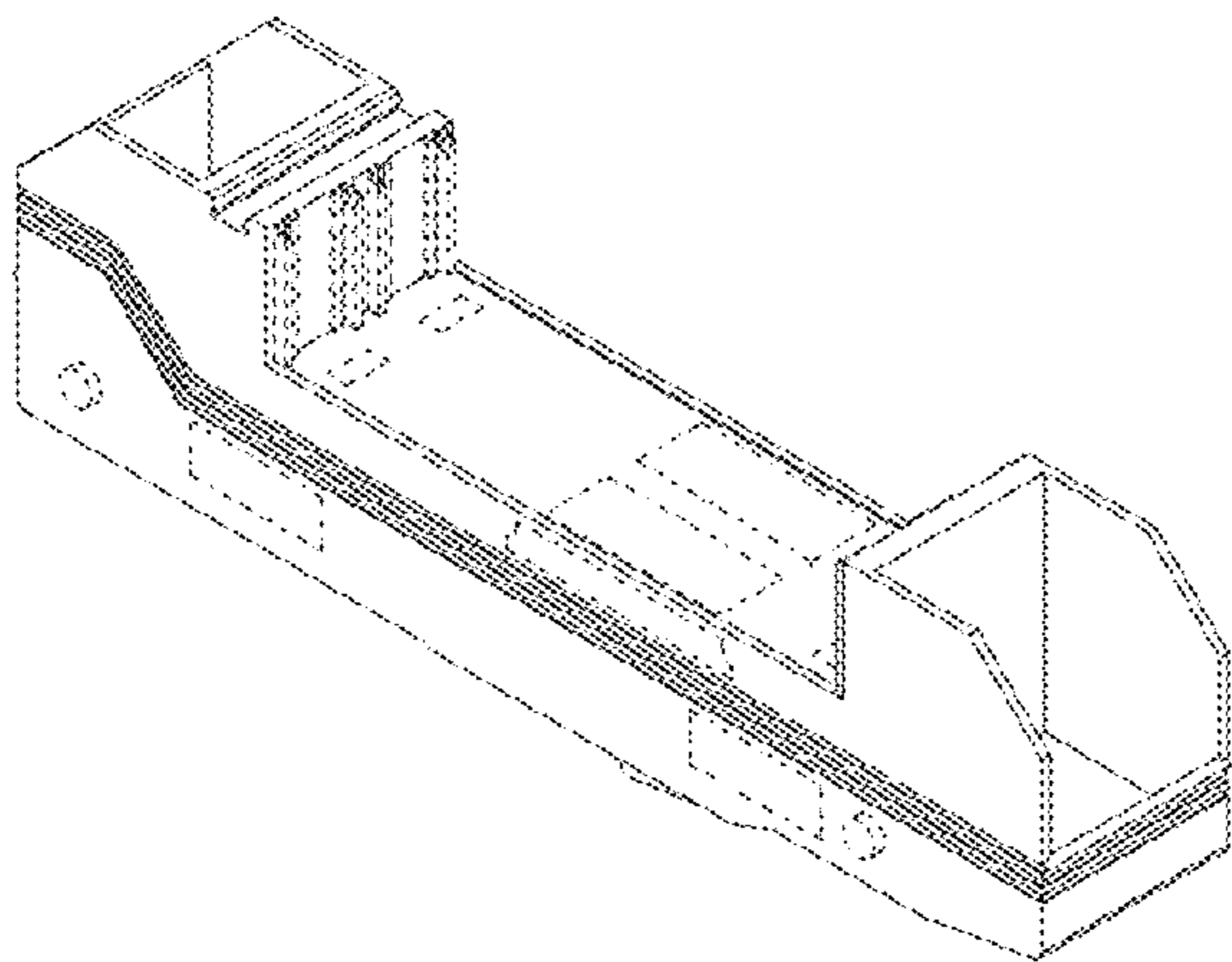
FIG. 6 is a rear plan view thereof;

FIG. 7 is a left plan view thereof; and,

FIG. 8 is a right plan view thereof.

The broken line portion of the figure drawings is included to show unclaimed subject matter only and forms no part of the claimed design.

1 Claim, 7 Drawing Sheets



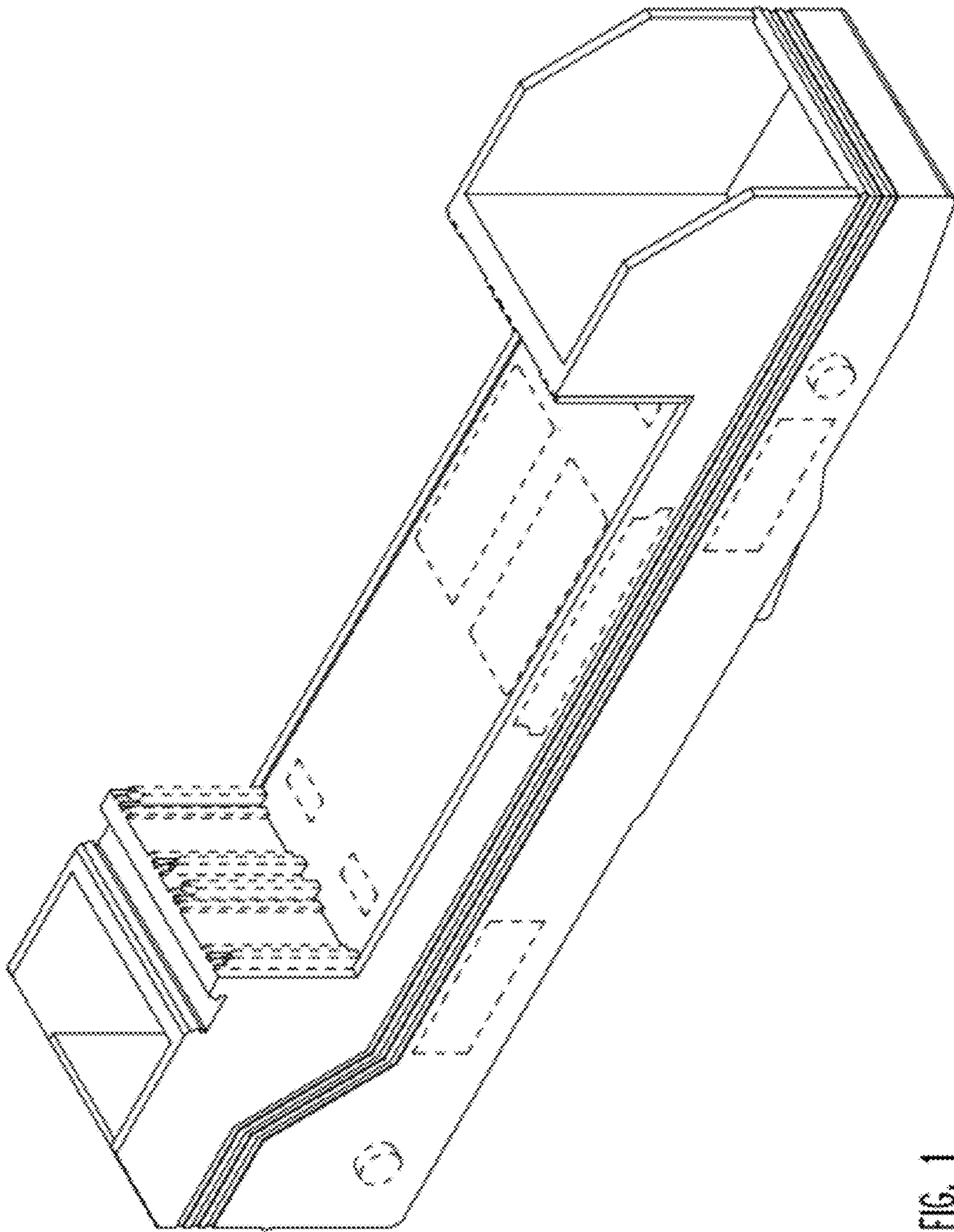


FIG. 1

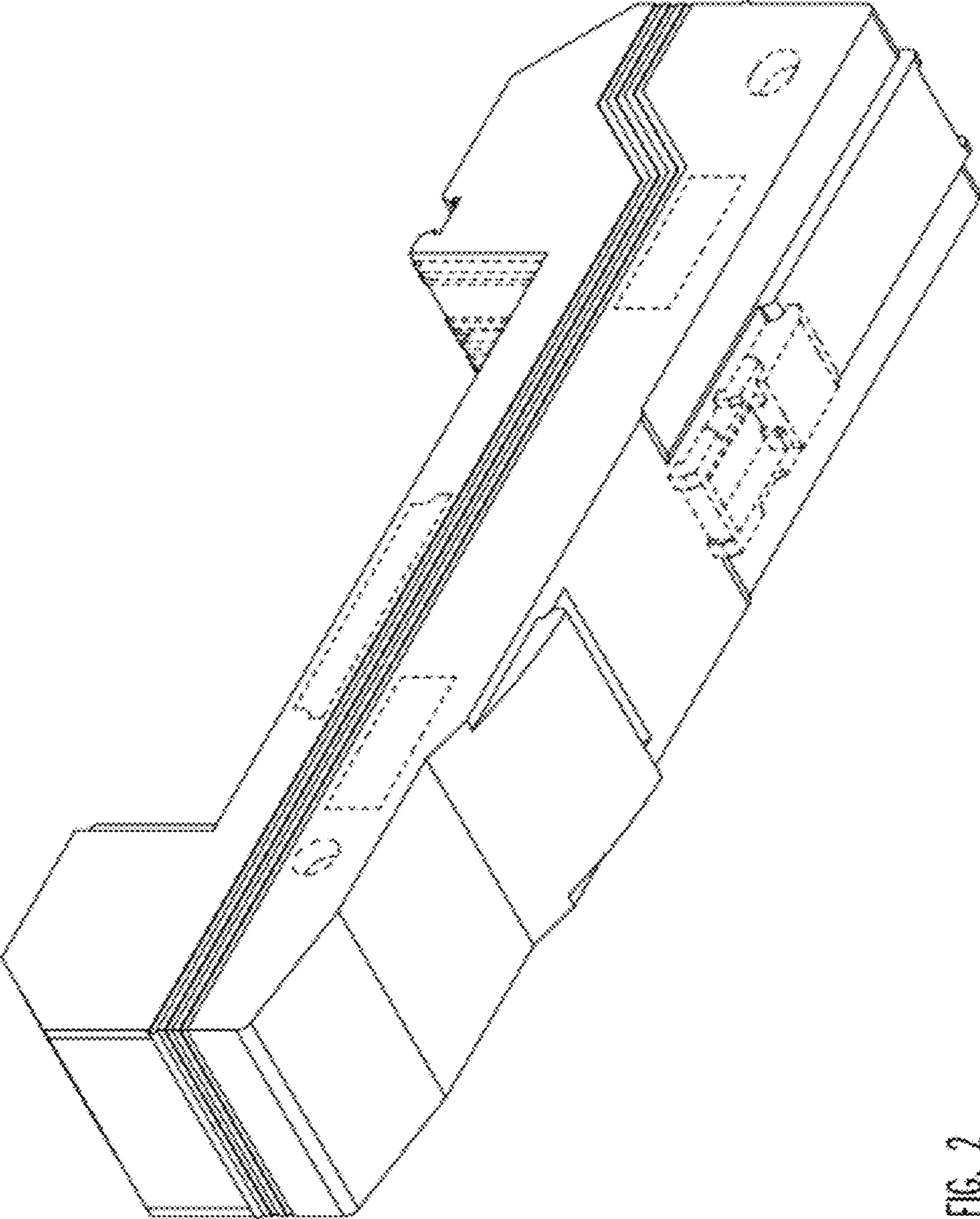


FIG. 2

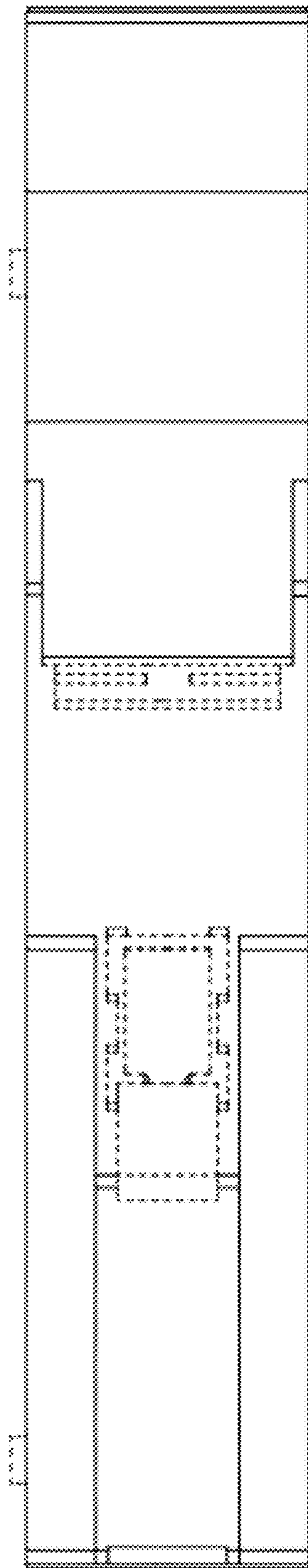


FIG. 3

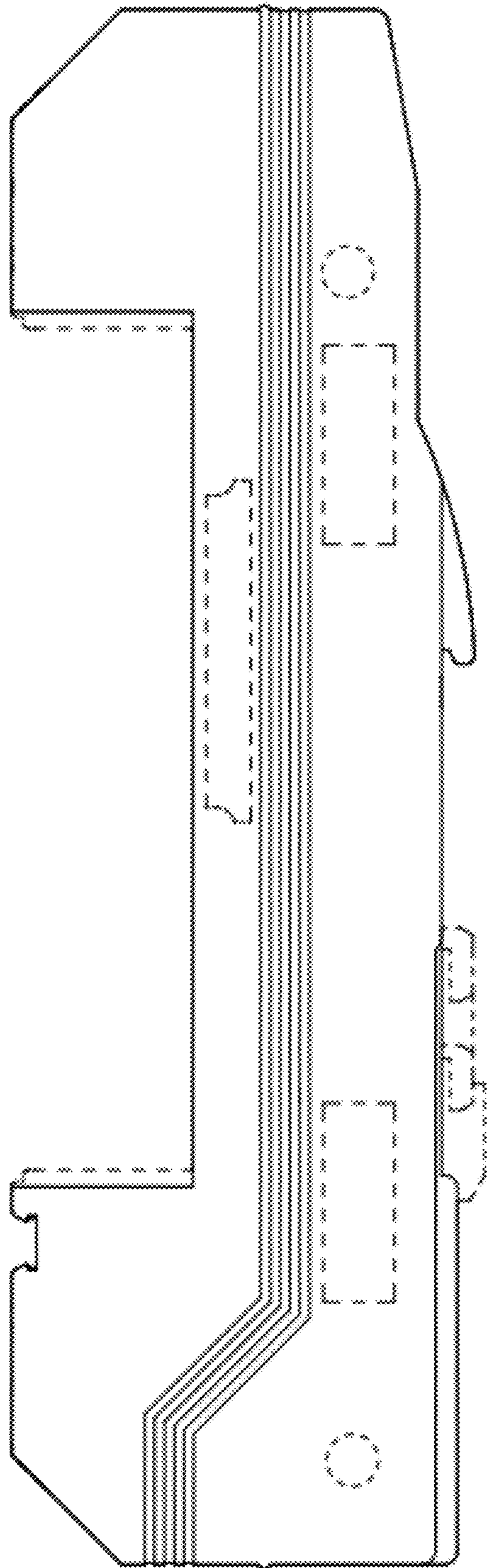


FIG. 4

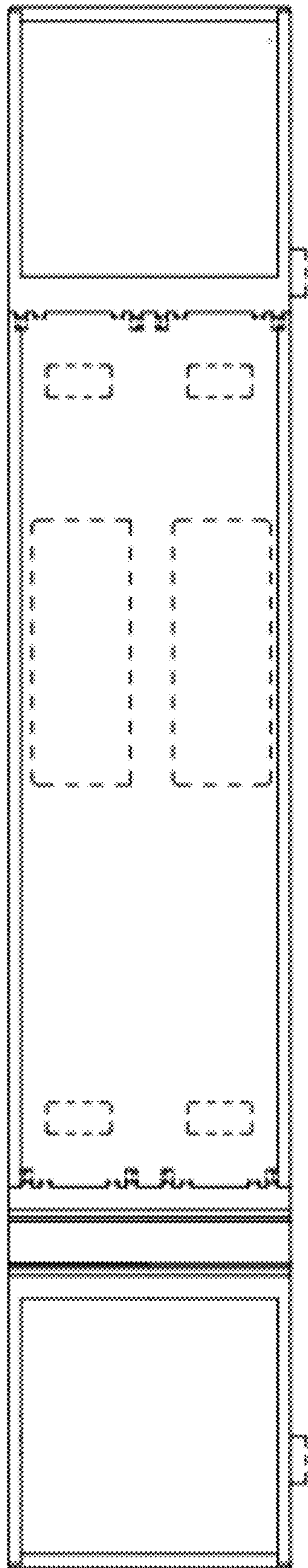


FIG. 5

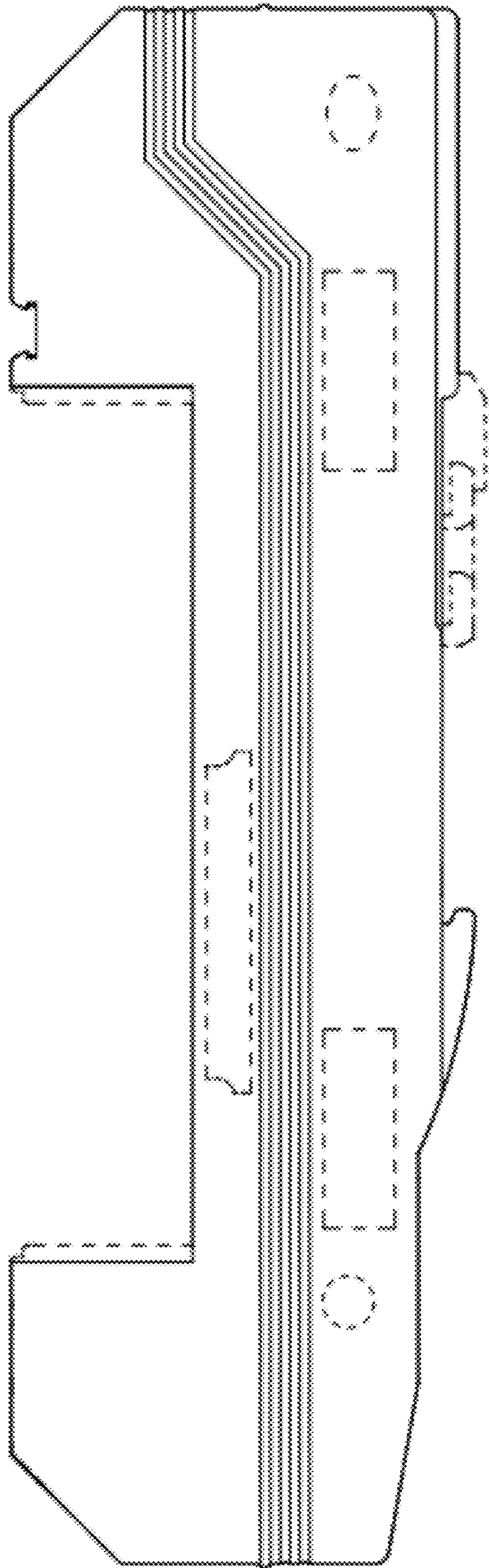


FIG. 6

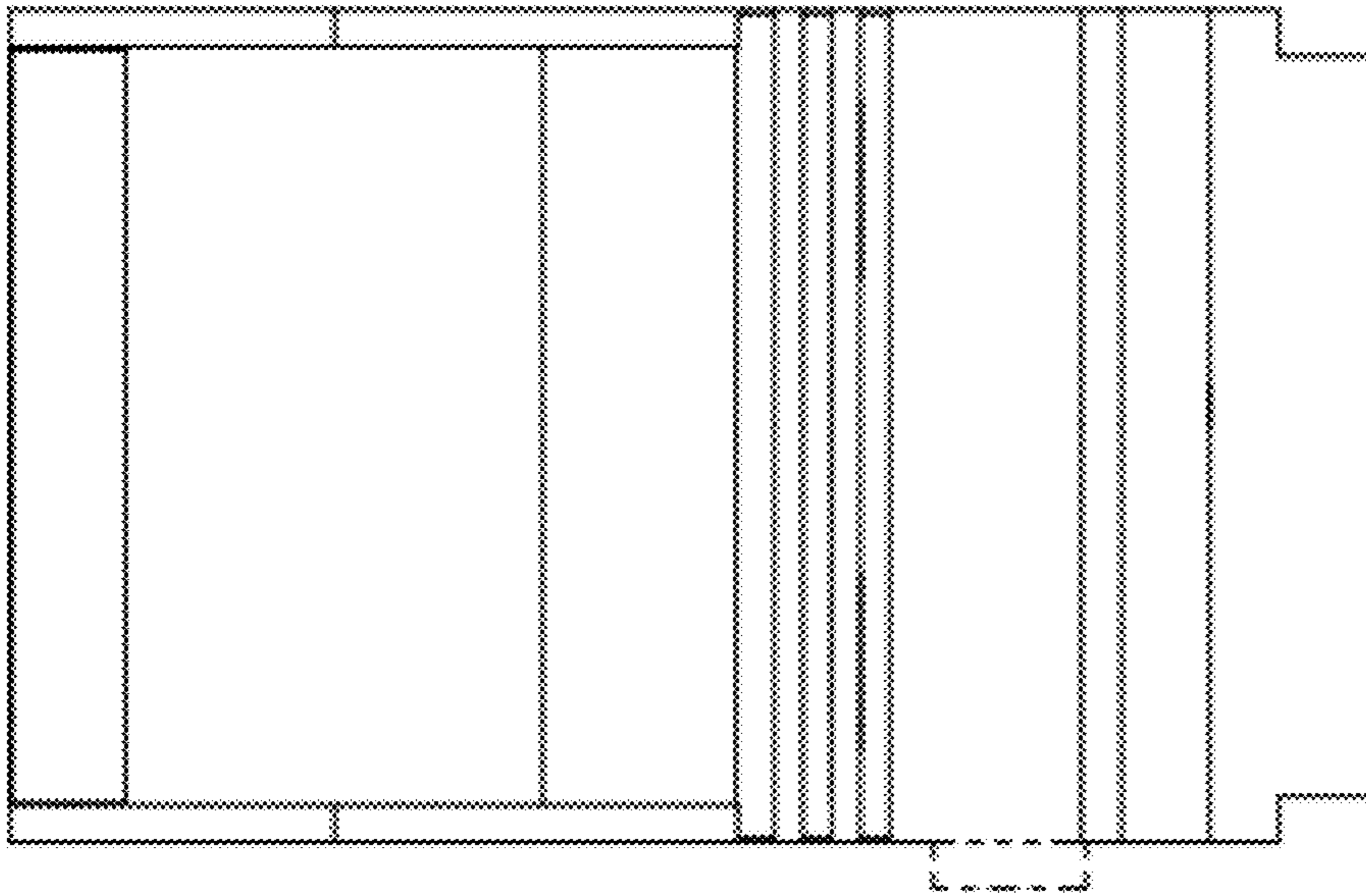


FIG. 8

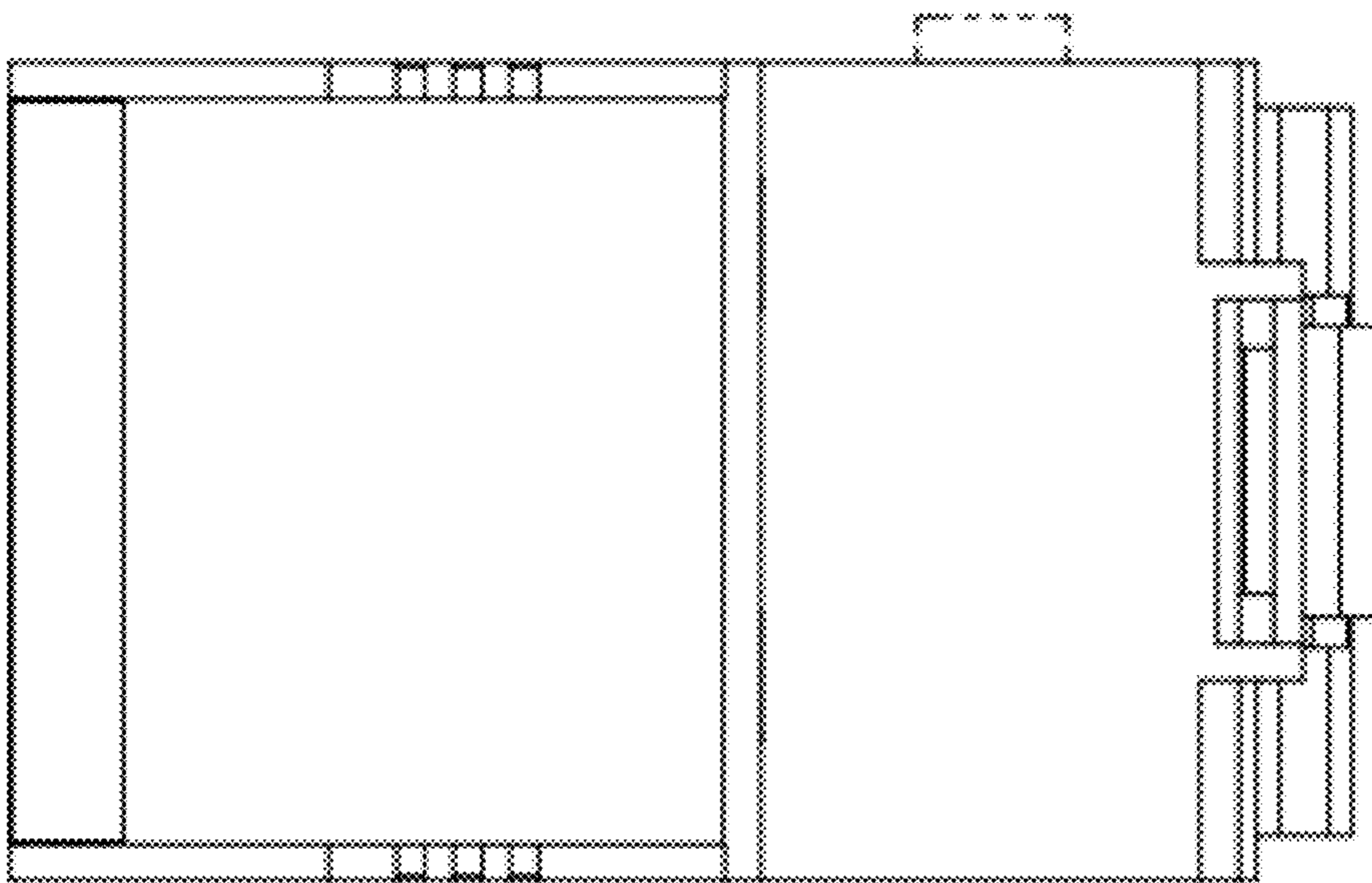


FIG. 7