

US00D669854S

(12) **United States Design Patent**
Kobayashi et al.

(10) **Patent No.:** **US D669,854 S**

(45) **Date of Patent:** **** Oct. 30, 2012**

(54) **CORE FOR ELECTRONIC COMPONENT**

(75) Inventors: **Katsumi Kobayashi**, Tokyo (JP);
Masaaki Iwakura, Tokyo (JP)

(73) Assignee: **TDK Corporation**, Tokyo (JP)

(**) Term: **14 Years**

(21) Appl. No.: **29/375,108**

(22) Filed: **Sep. 17, 2010**

(30) **Foreign Application Priority Data**

Mar. 26, 2010 (JP) 2010-007456
Jul. 28, 2010 (JP) 2010-018306
Sep. 1, 2010 (JP) 2010-021155

(51) **LOC (9) Cl.** **13-02**

(52) **U.S. Cl.** **D13/118**

(58) **Field of Classification Search** D13/118,
D13/101, 110, 120, 122, 183, 199; 219/116,
219/624; 323/247, 250, 253; 334/59, 63,
334/70, 76; 336/83, 136, 182, 185, 208,
336/210, 212, 214, 218, 230, 232
See application file for complete search history.

(56) **References Cited**

U.S. PATENT DOCUMENTS

3,898,601 A * 8/1975 Meindl 336/136
4,424,504 A * 1/1984 Mitsui et al. 336/83

D280,810 S * 10/1985 Mitsui D13/118
4,745,388 A * 5/1988 Billings et al. 336/192
D330,541 S * 10/1992 Burrow et al. D13/183
D384,333 S * 9/1997 Suzuki D13/183
D463,365 S * 9/2002 Sakai et al. D13/118
6,696,913 B2 * 2/2004 Meuche et al. 336/208
D537,778 S * 3/2007 Miyazaki D13/118
D539,220 S * 3/2007 Iwakura D13/118
D550,622 S * 9/2007 Shih D13/118

FOREIGN PATENT DOCUMENTS

JP S-860018 1/1993

* cited by examiner

Primary Examiner — Derrick Holland

(74) *Attorney, Agent, or Firm* — Oliff & Berridge, PLC

(57) **CLAIM**

The ornamental design for a core for electronic component, as shown and described.

DESCRIPTION

FIG. 1 is a perspective view of a core for electronic component showing our new design;
FIG. 2 is a front elevation view, with the rear elevation view being a mirror image of the front elevation view thereof;
FIG. 3 is a top plan view thereof;
FIG. 4 is a bottom plan view thereof;
FIG. 5 is a right-side view, with the left-side view being a mirror image of the right-side view thereof; and,
FIG. 6 is a cross-sectional view of the core for electronic component taken along the line VI-VI in FIG. 2.

1 Claim, 3 Drawing Sheets

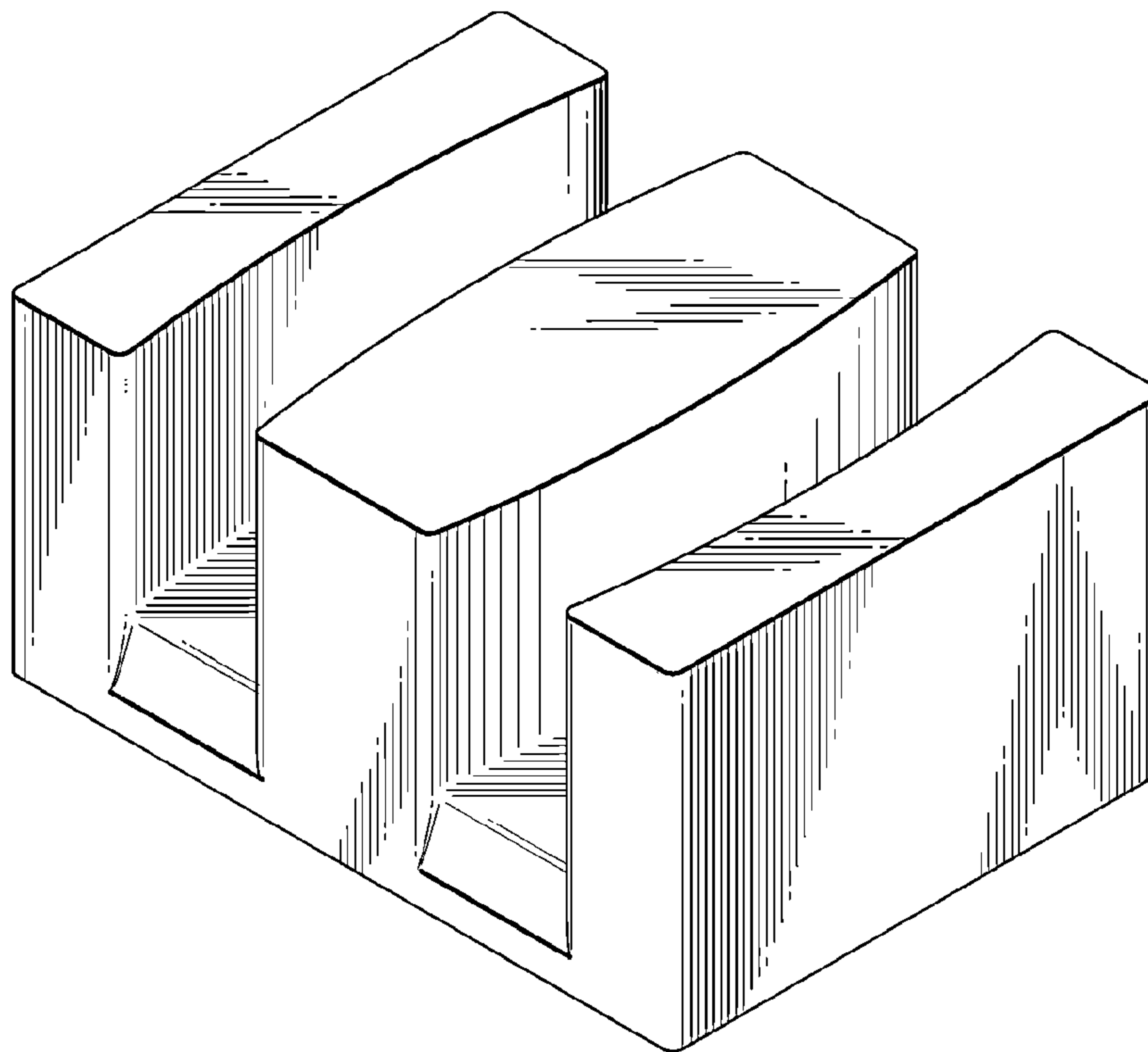


FIG.1

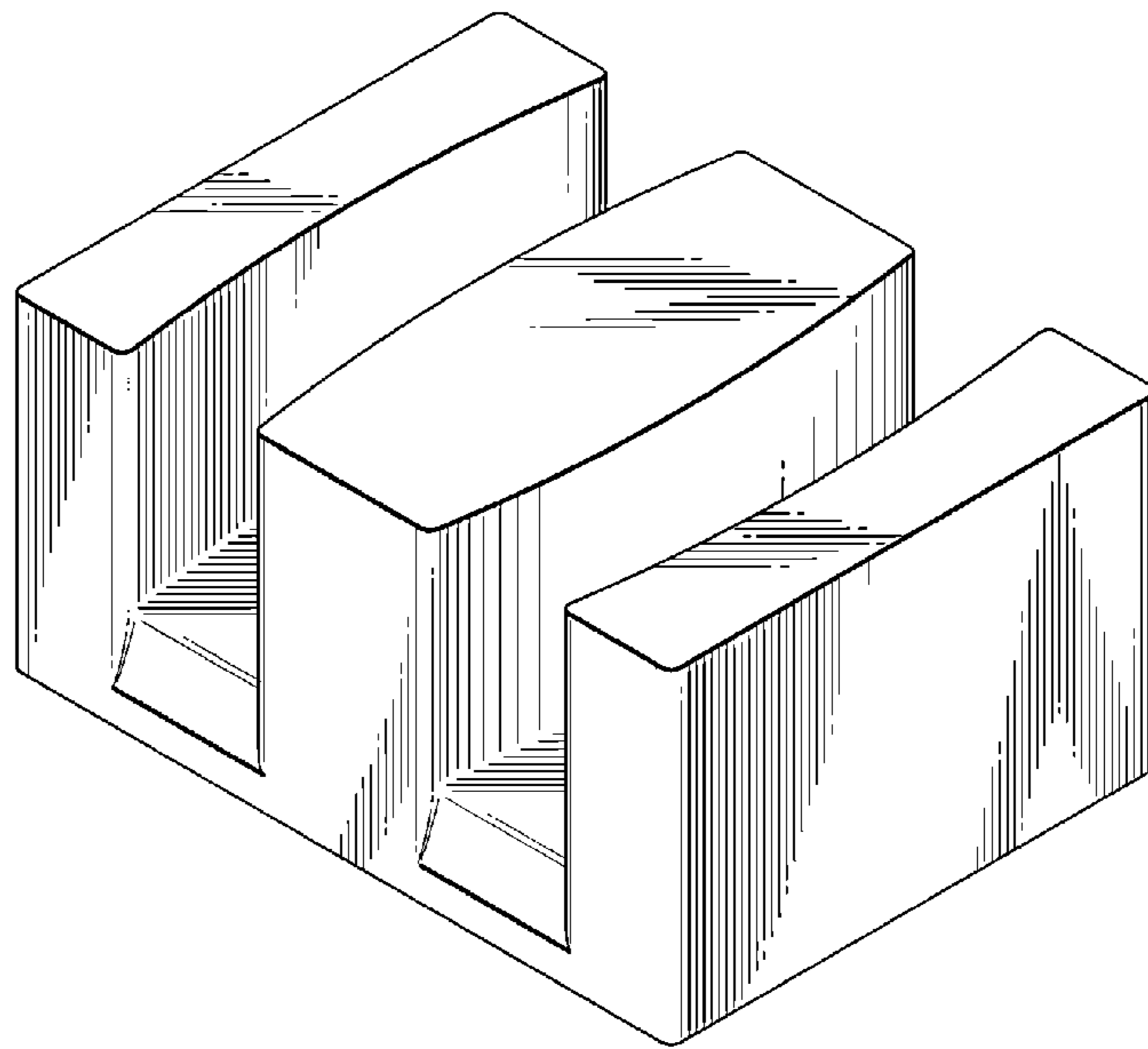


FIG.2

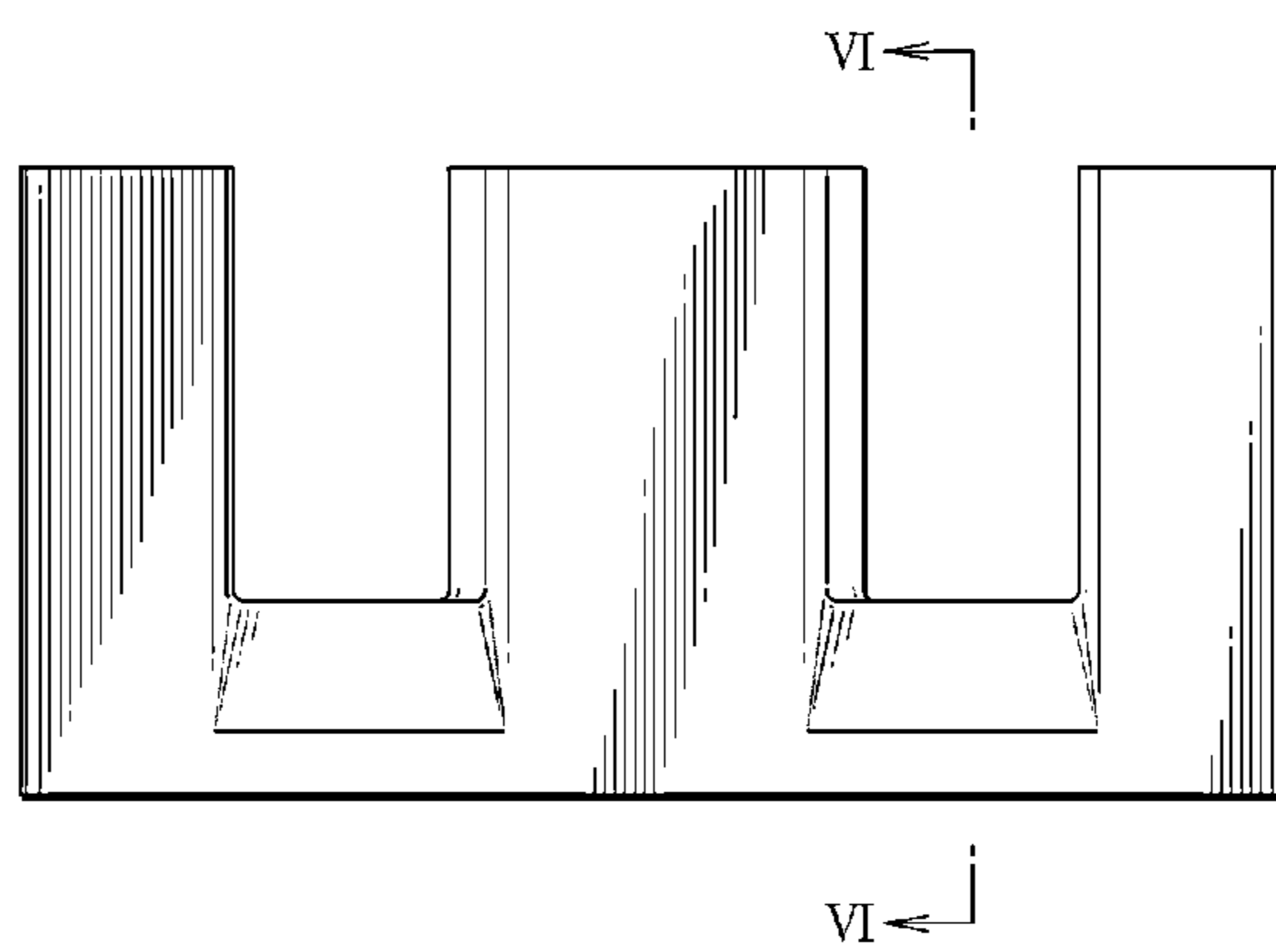


FIG.3

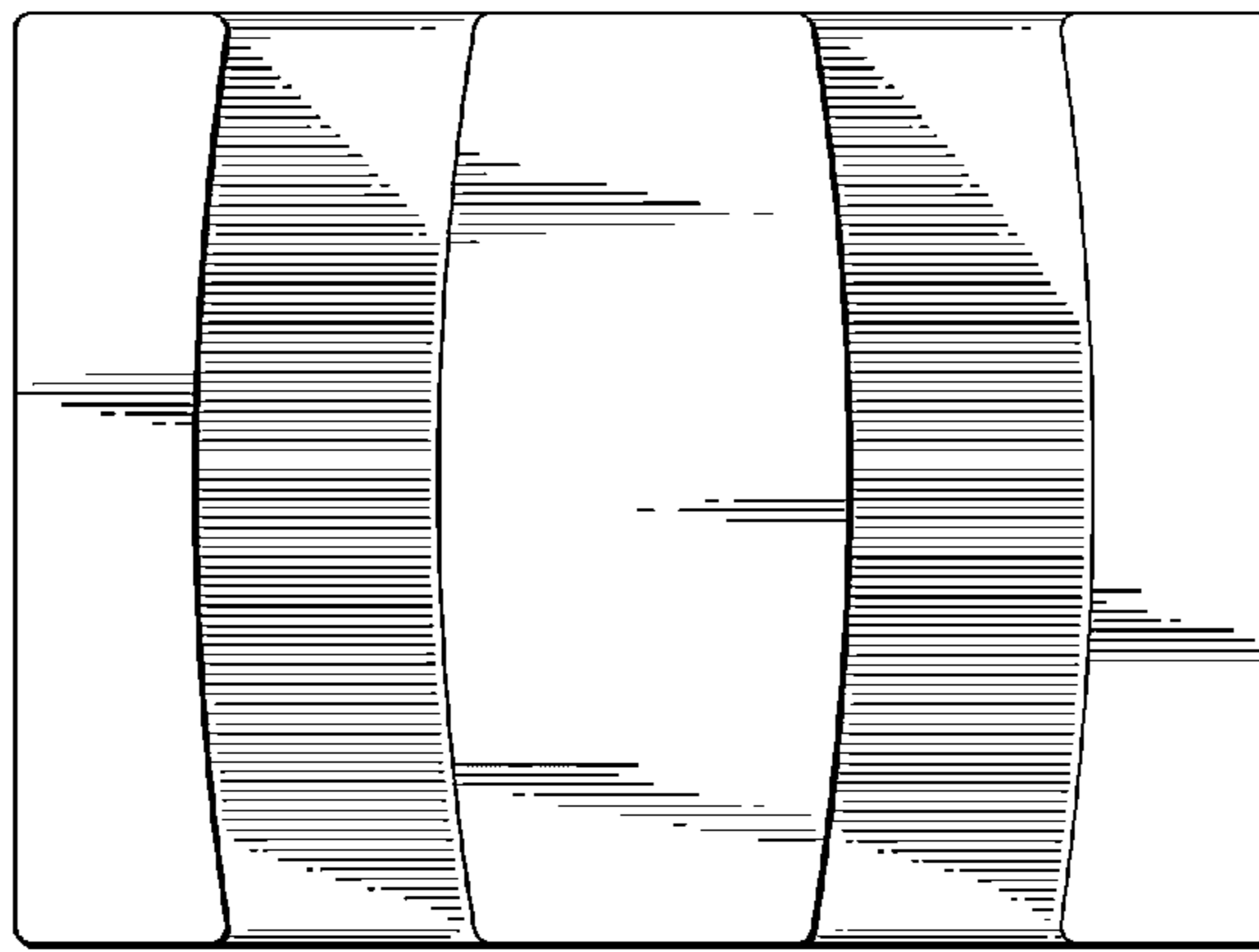


FIG.4

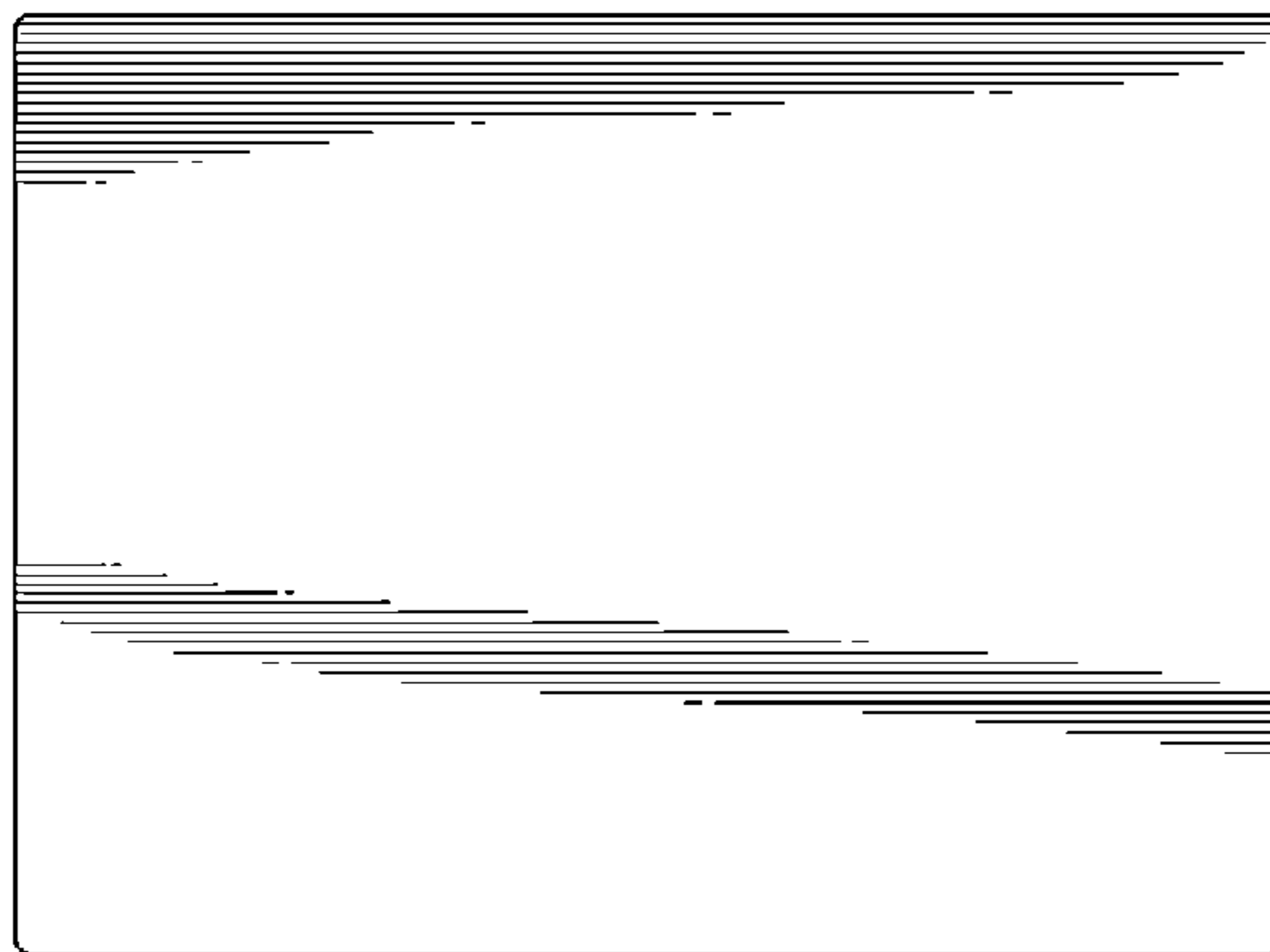


FIG.5

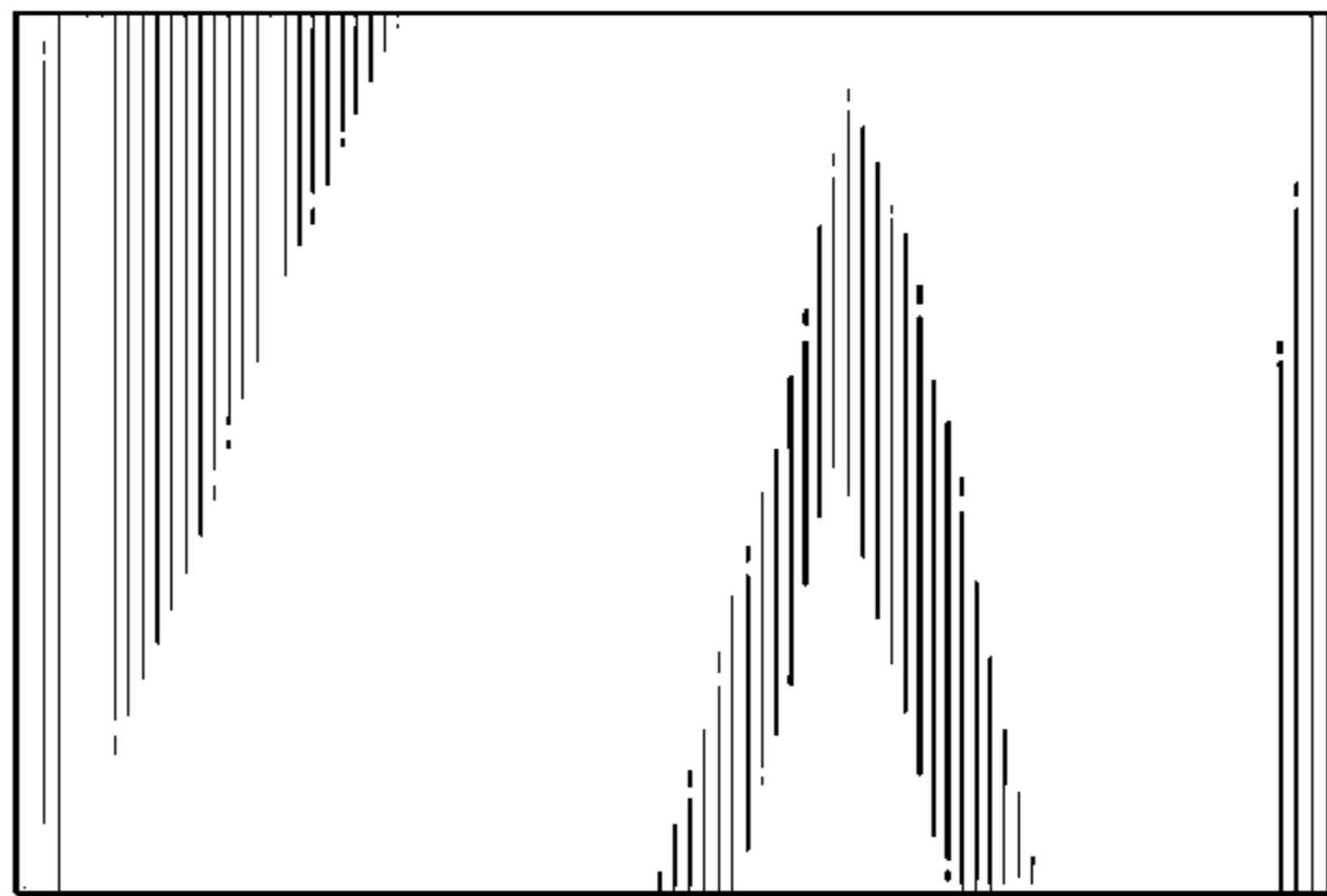


FIG.6

