



US00D669853S

(12) **United States Design Patent**  
**Rasmussen**

(10) **Patent No.:** **US D669,853 S**

(45) **Date of Patent:** **\*\* Oct. 30, 2012**

(54) **WIND TURBINE NACELLE**

(75) **Inventor:** **Soren Oluf Rasmussen**, Frederiksberg (DK)

(73) **Assignee:** **Vestas Wind Systems A/S**, Aarhus N (DK)

(\*\*) **Term:** **14 Years**

(21) **Appl. No.:** **29/315,660**

(22) **Filed:** **Jul. 14, 2009**

(30) **Foreign Application Priority Data**

Jan. 30, 2009 (EM) ..... 001082911

(51) **LOC (9) Cl.** ..... **13-01**

(52) **U.S. Cl.** ..... **D13/115**

(58) **Field of Classification Search** ..... D13/115,  
D13/118, 122, 199; D12/319, 344, 345;  
D15/1, 199; D21/458; 290/44, 52, 54, 55;  
415/2.1, 4.2, 4.5, 7, 907, 916; 416/7, 9, 16,  
416/24, 31, 37, 38, 132 B, 132 R, 141, 142,  
416/176, 177, 196 A, 243

See application file for complete search history.

(56) **References Cited**

**U.S. PATENT DOCUMENTS**

D271,303 S \* 11/1983 Ovelmen ..... D15/1  
5,354,175 A \* 10/1994 Coleman et al. .... 416/9  
D480,360 S \* 10/2003 Bayly ..... D13/115  
D517,986 S \* 3/2006 Wobben ..... D13/115  
2002/0153728 A1 \* 10/2002 Groppel ..... 290/44  
2004/0057828 A1 \* 3/2004 Bosche ..... 416/1

\* cited by examiner

*Primary Examiner* — Derrick Holland

(74) *Attorney, Agent, or Firm* — Wood, Herron & Evans, LLP

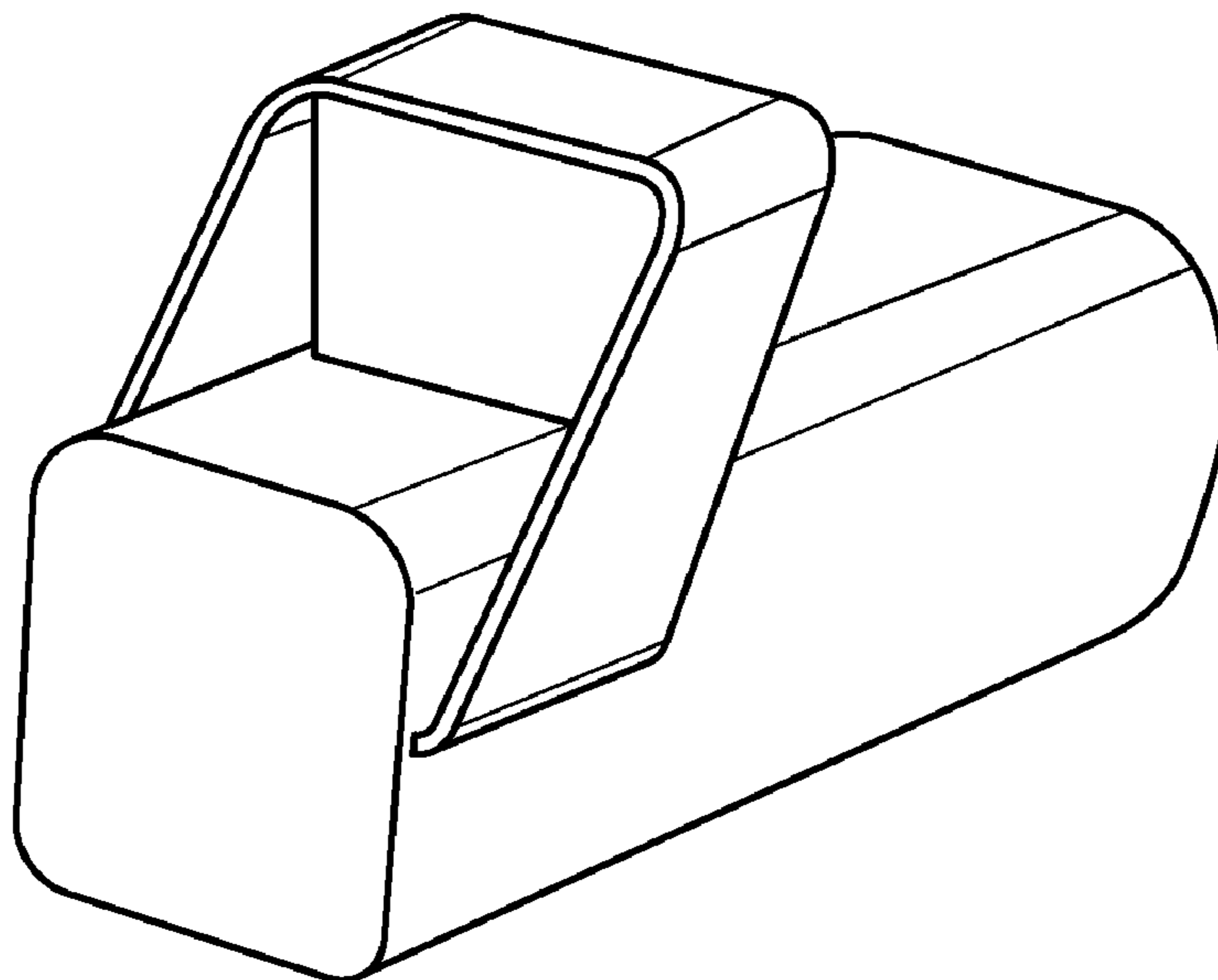
(57) **CLAIM**

The ornamental design for a wind turbine nacelle, as shown and described.

**DESCRIPTION**

FIG. 1 is a side view of a wind turbine nacelle in accordance with a first embodiment;  
FIG. 2 is a back view thereof;  
FIG. 3 is a top view thereof;  
FIG. 4 is a front perspective view thereof;  
FIG. 5 is a front perspective view of the wind turbine nacelle of the first embodiment shown in environmental use;  
FIG. 6 is a side view of a wind turbine nacelle in accordance with a second embodiment;  
FIG. 7 is a back view thereof;  
FIG. 8 is a top view thereof;  
FIG. 9 is a front perspective view thereof;  
FIG. 10 is a front perspective view of the wind turbine nacelle of the second embodiment shown in environmental use;  
FIG. 11 is a side view of a wind turbine nacelle in accordance with a third embodiment;  
FIG. 12 is a back view thereof;  
FIG. 13 is a top view thereof;  
FIG. 14 is a front perspective view thereof; and,  
FIG. 15 is a front perspective view of the wind turbine nacelle of the third embodiment shown in environmental use.  
The portions shown in dashed lines in the figures are for environmental purposes only and make up no part of the claimed design.

**1 Claim, 9 Drawing Sheets**



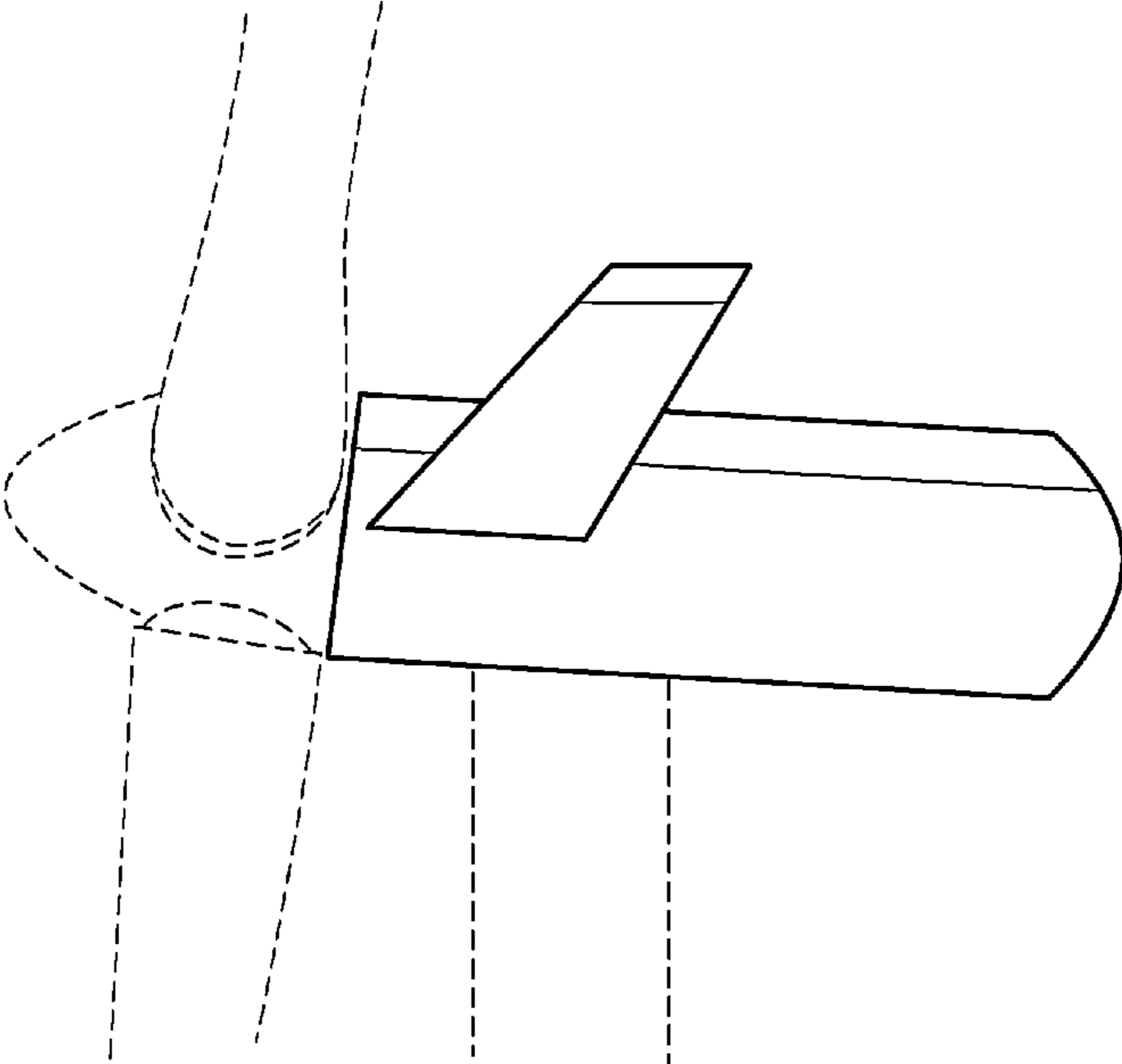


FIG. 1

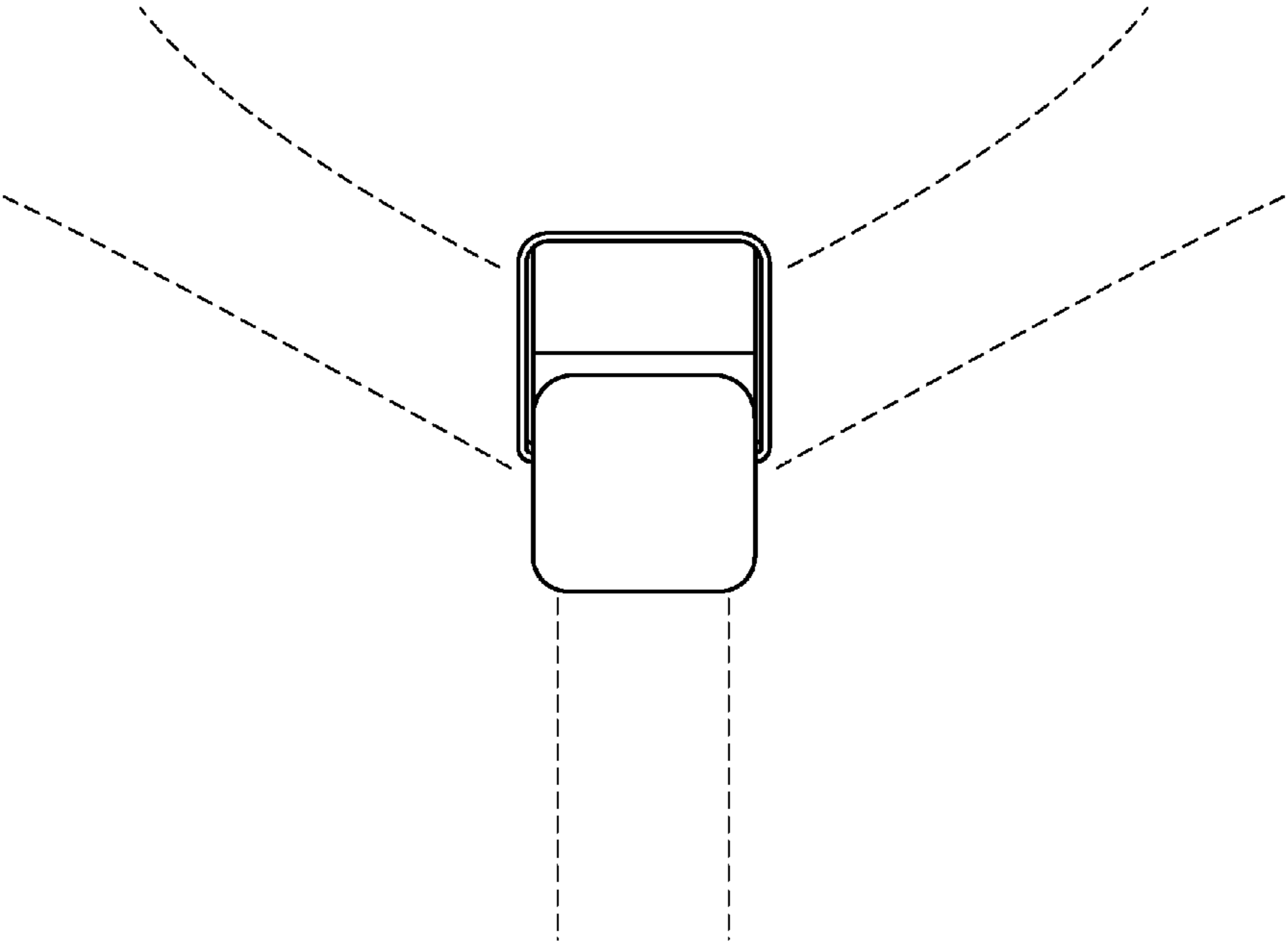


FIG. 2

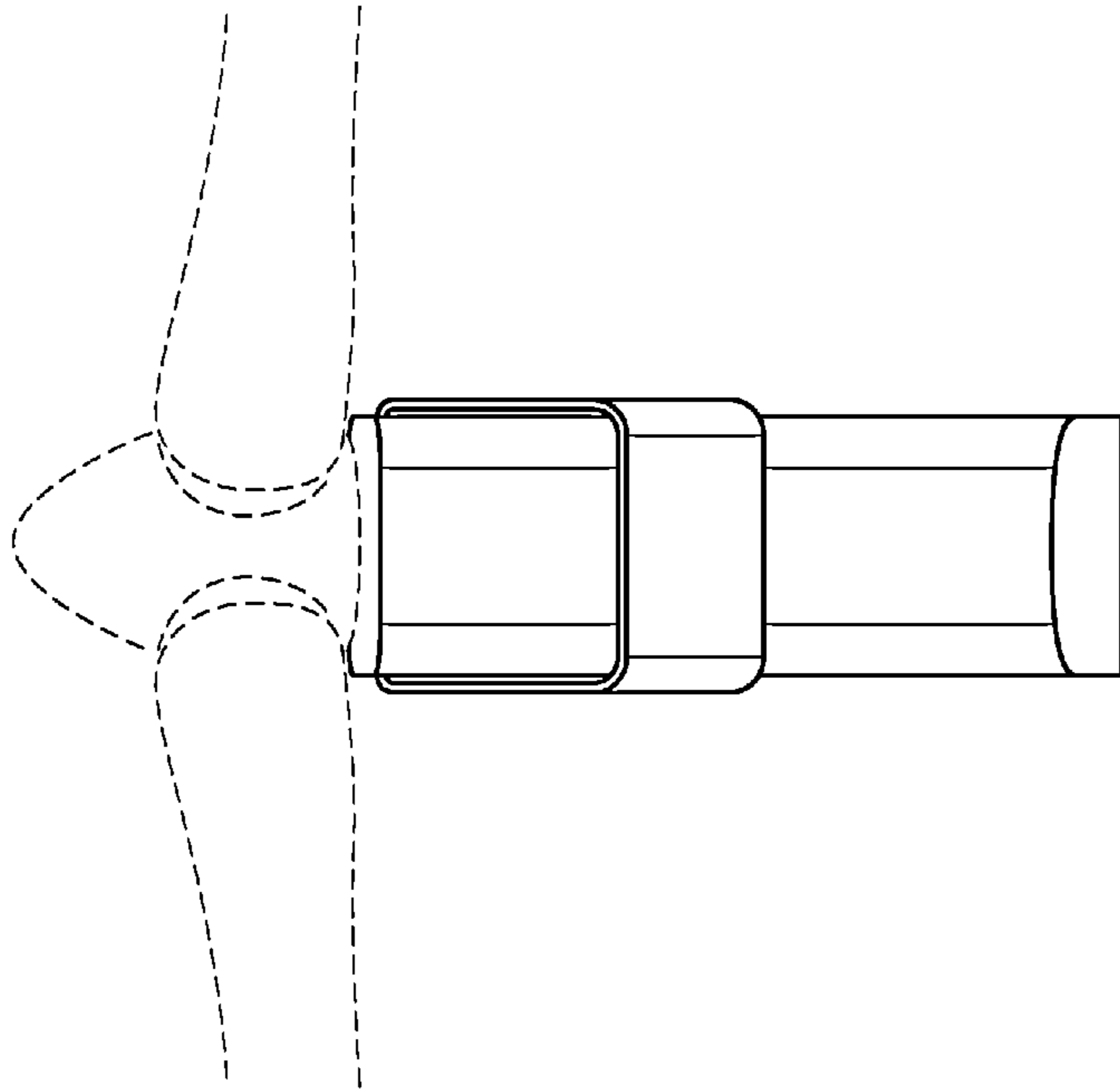


FIG. 3

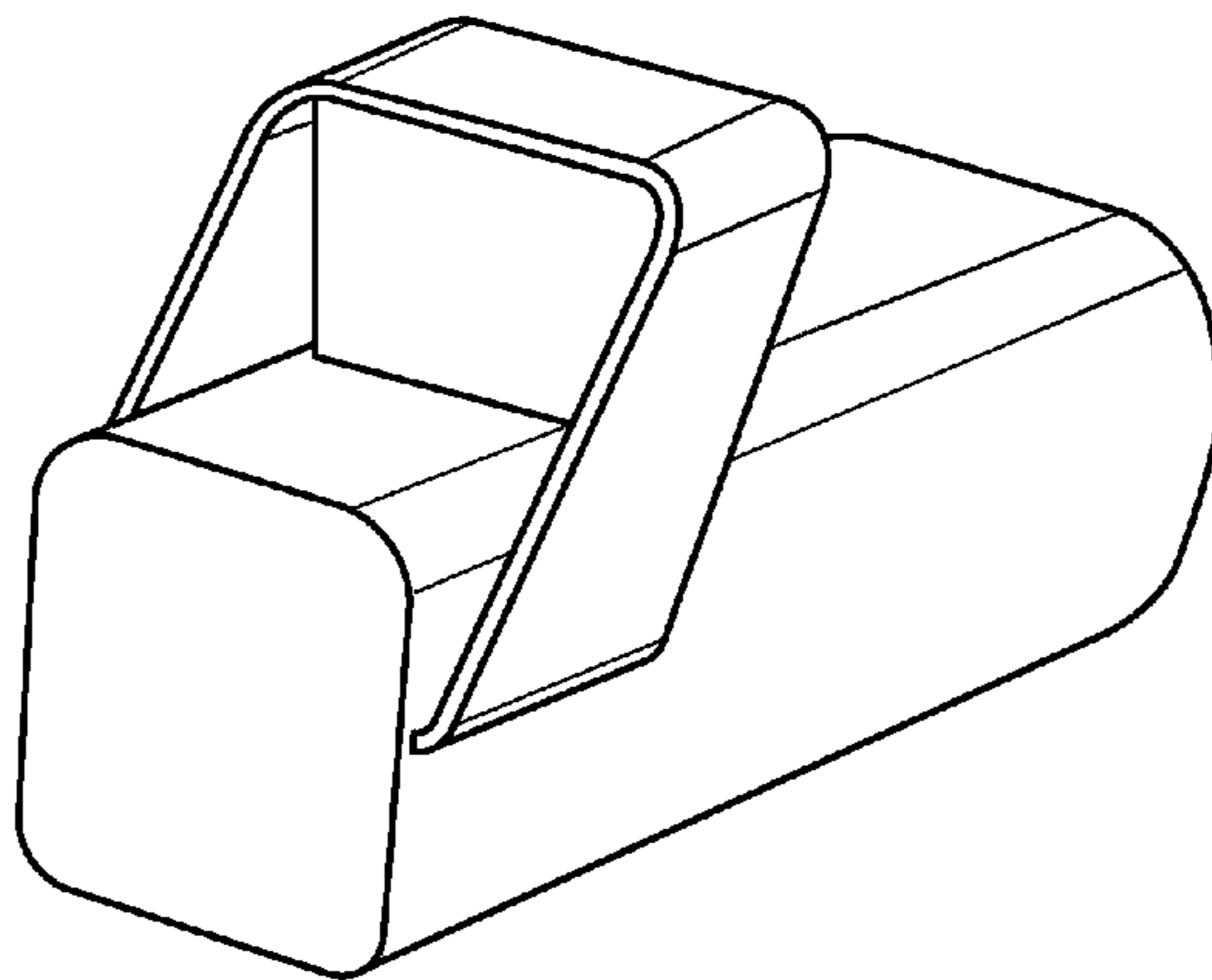


FIG. 4

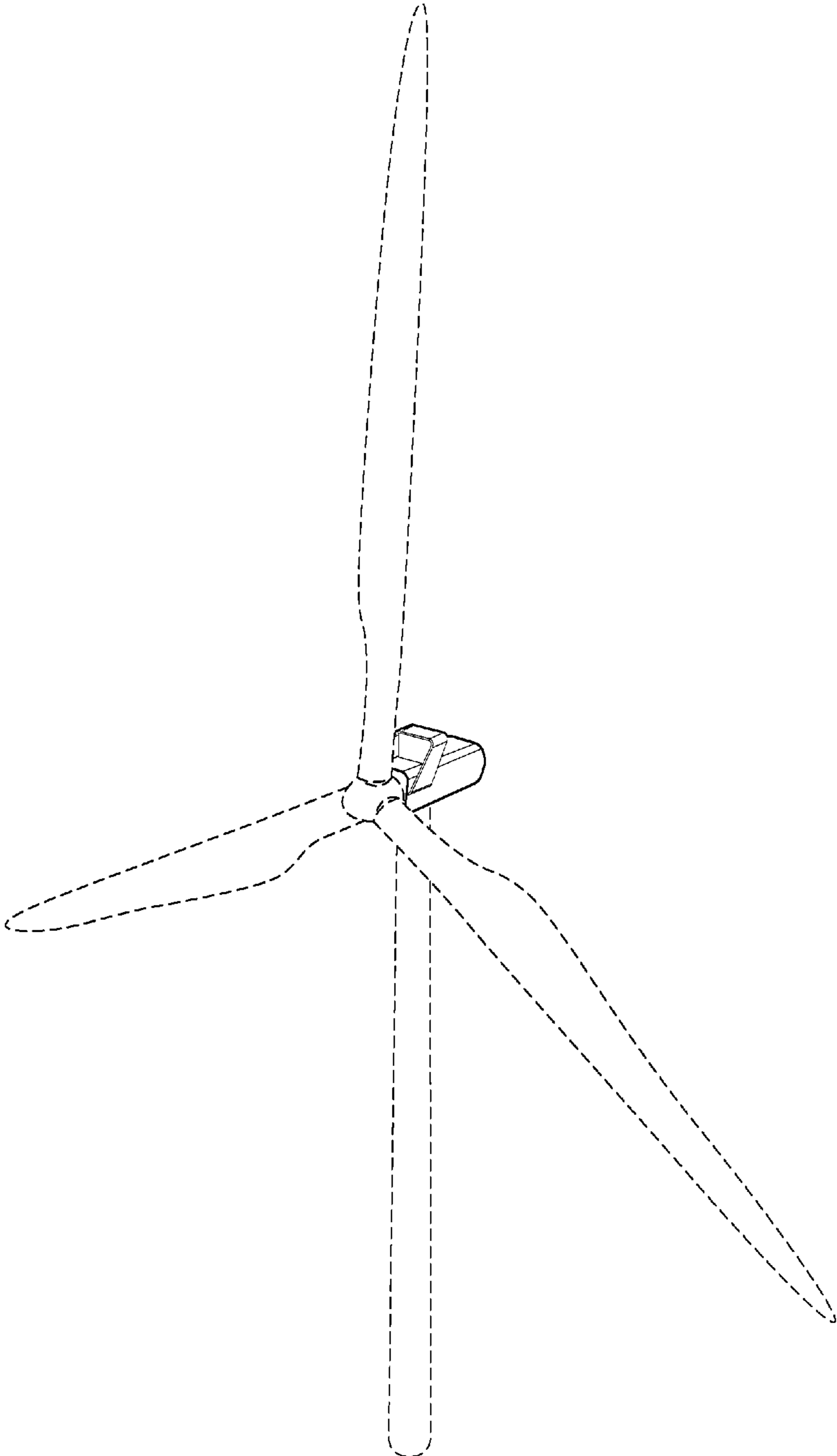


FIG. 5

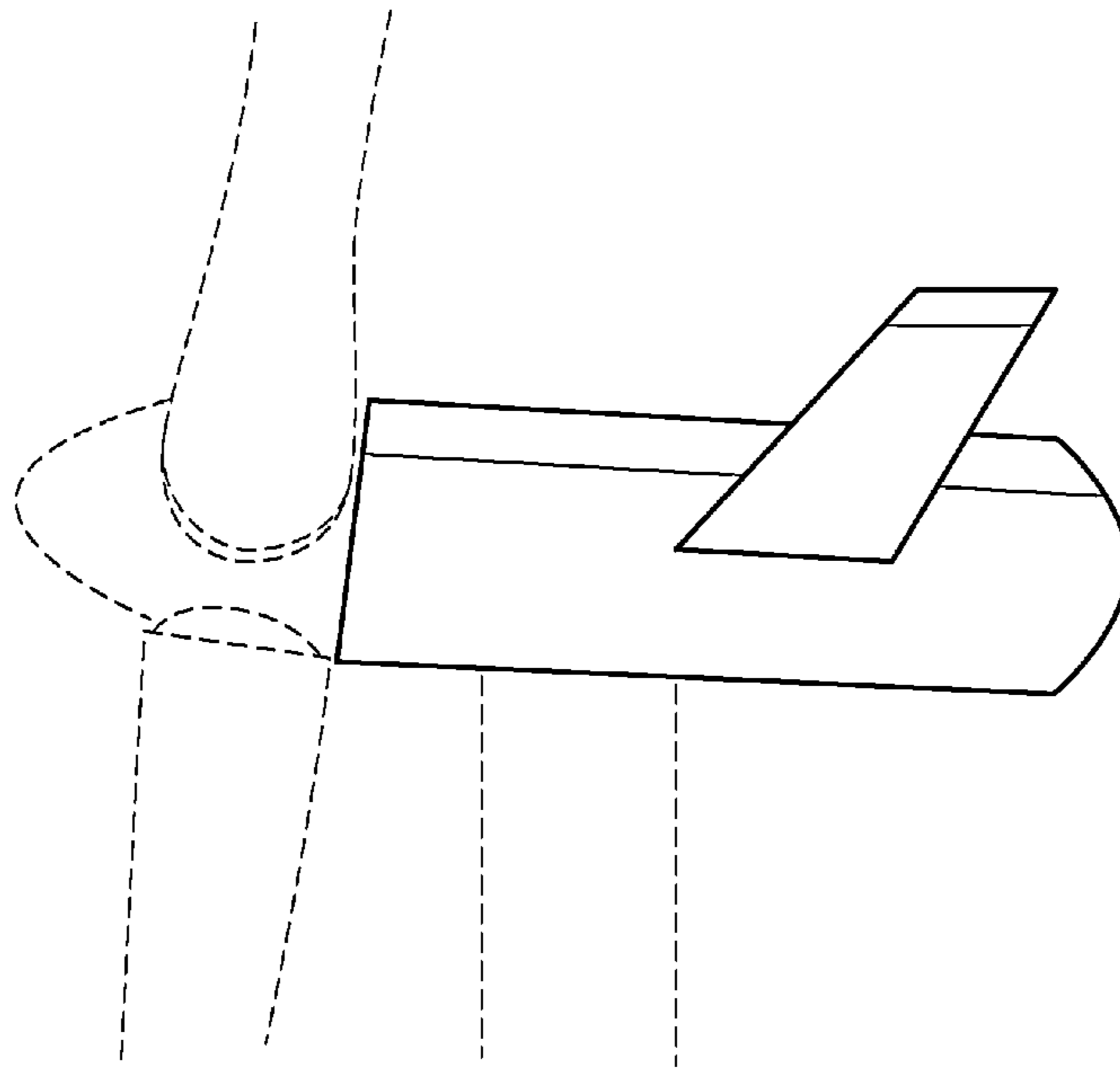


FIG. 6

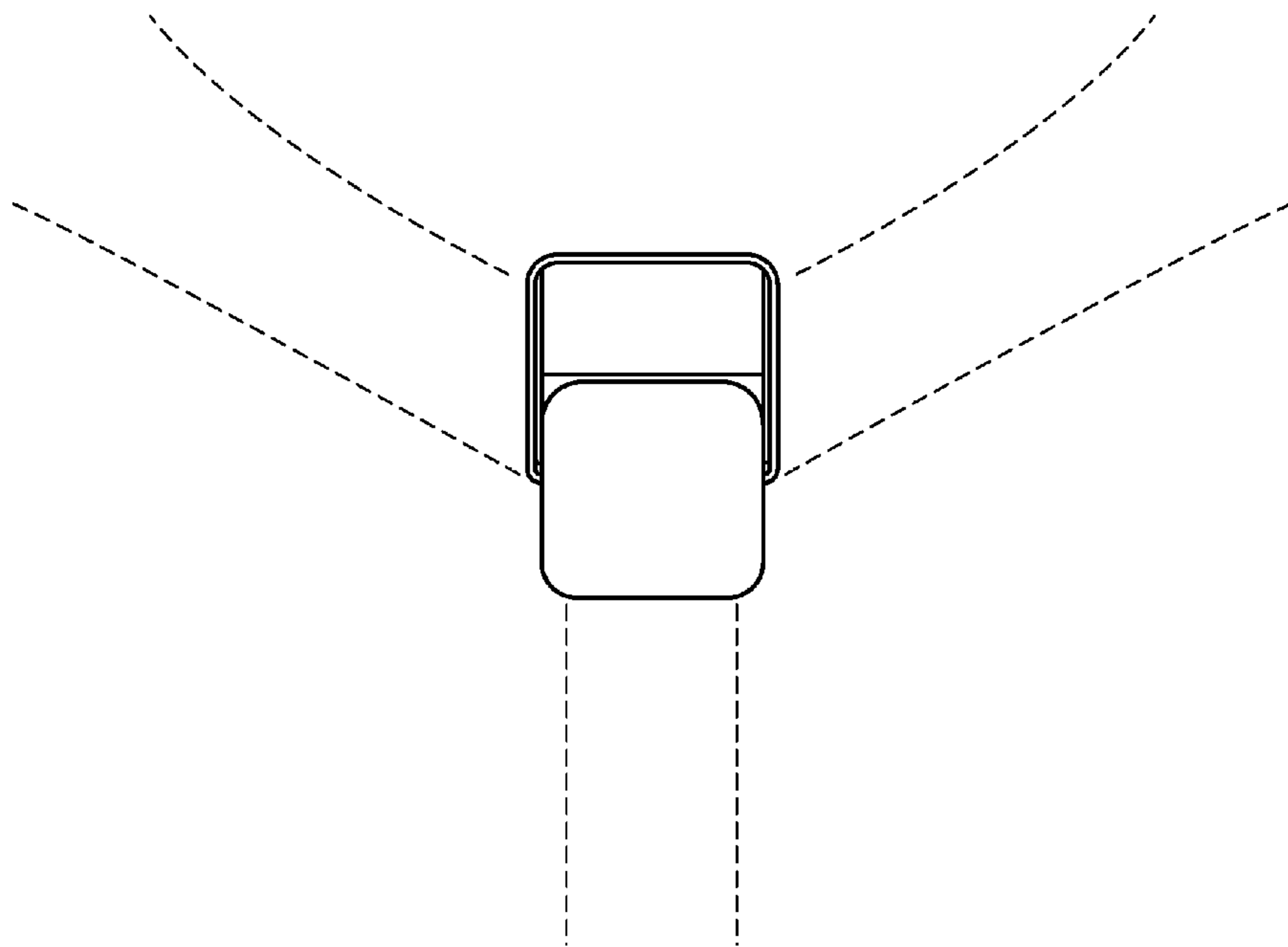


FIG. 7

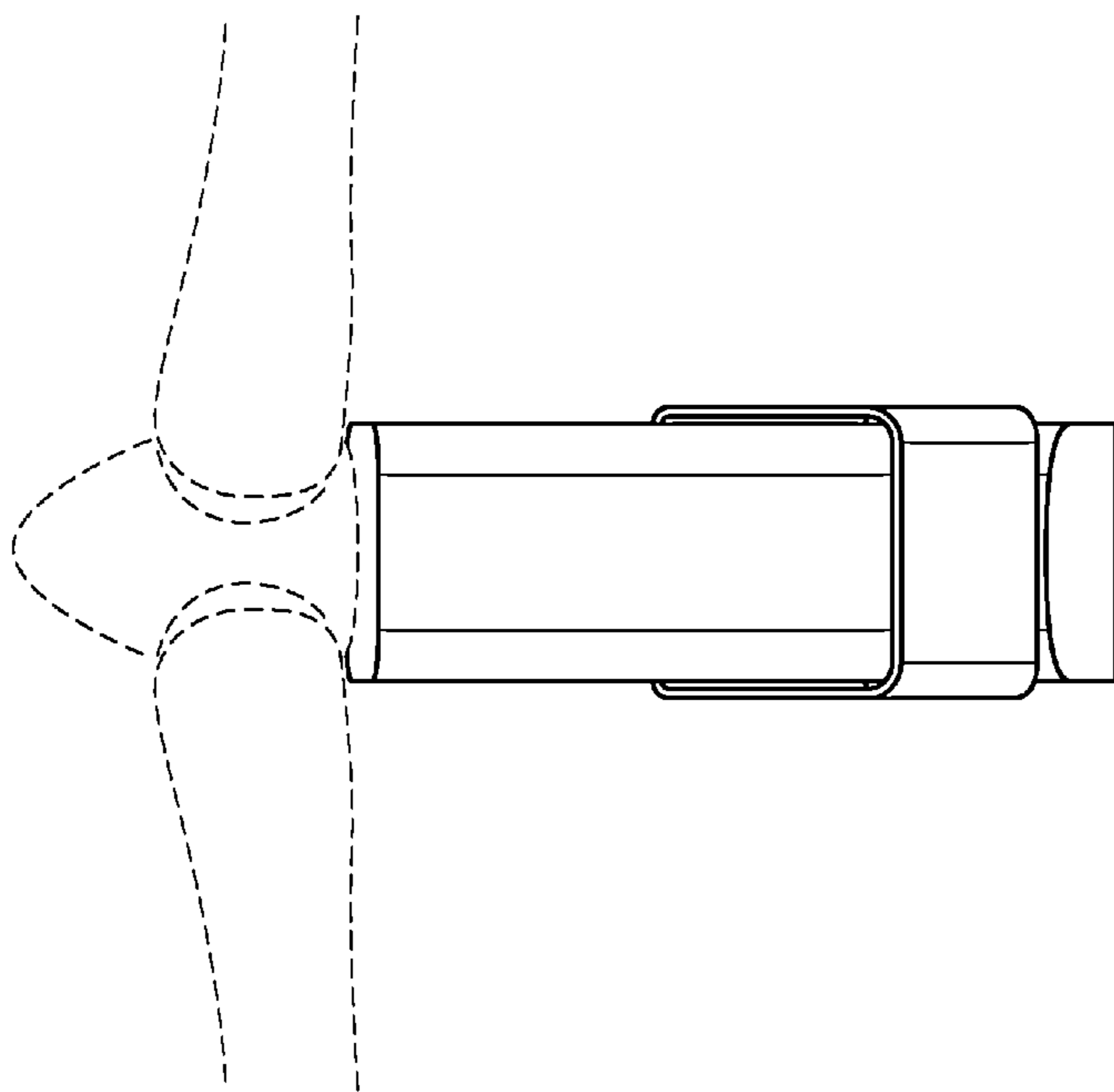


FIG. 8

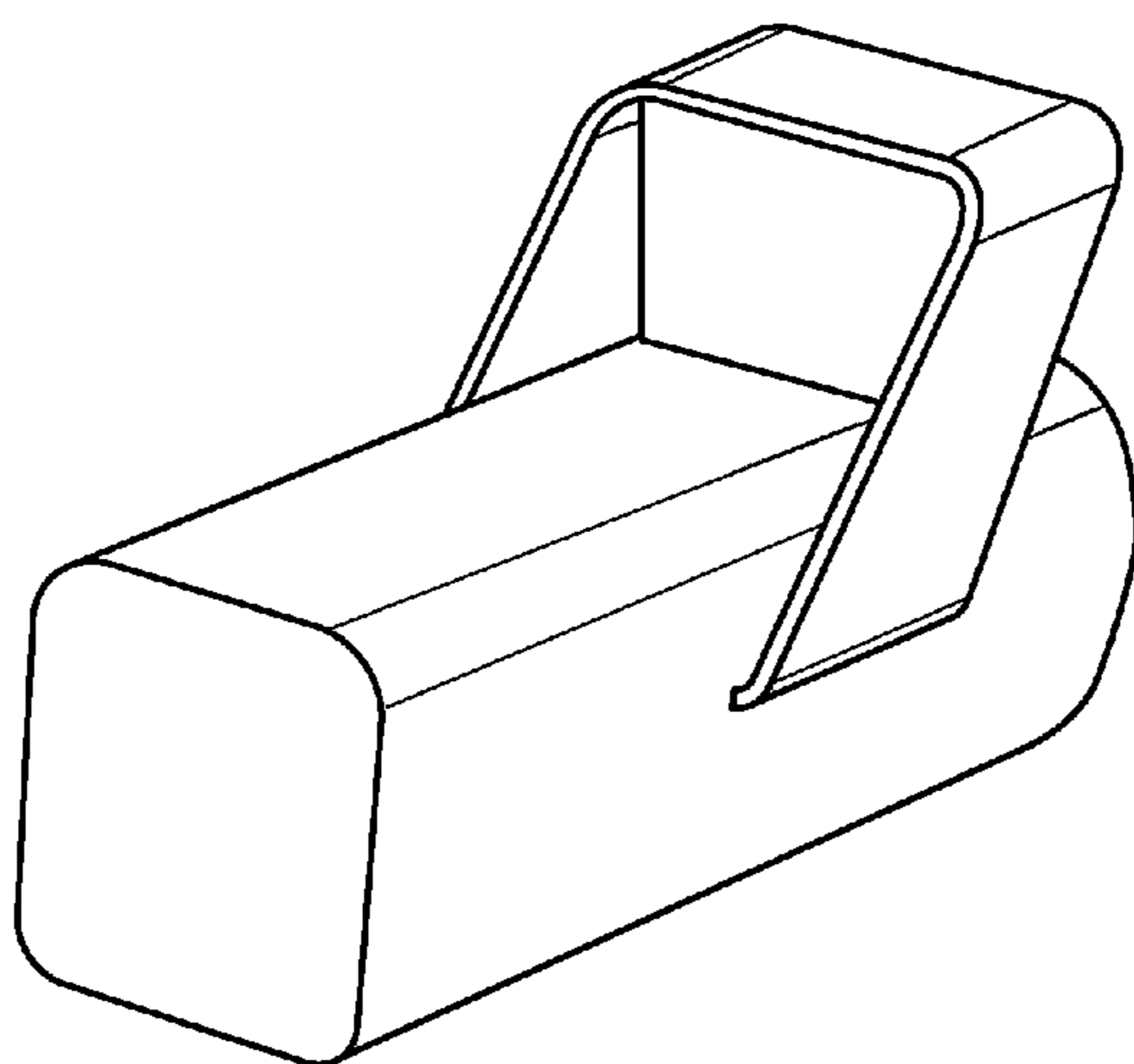


FIG. 9

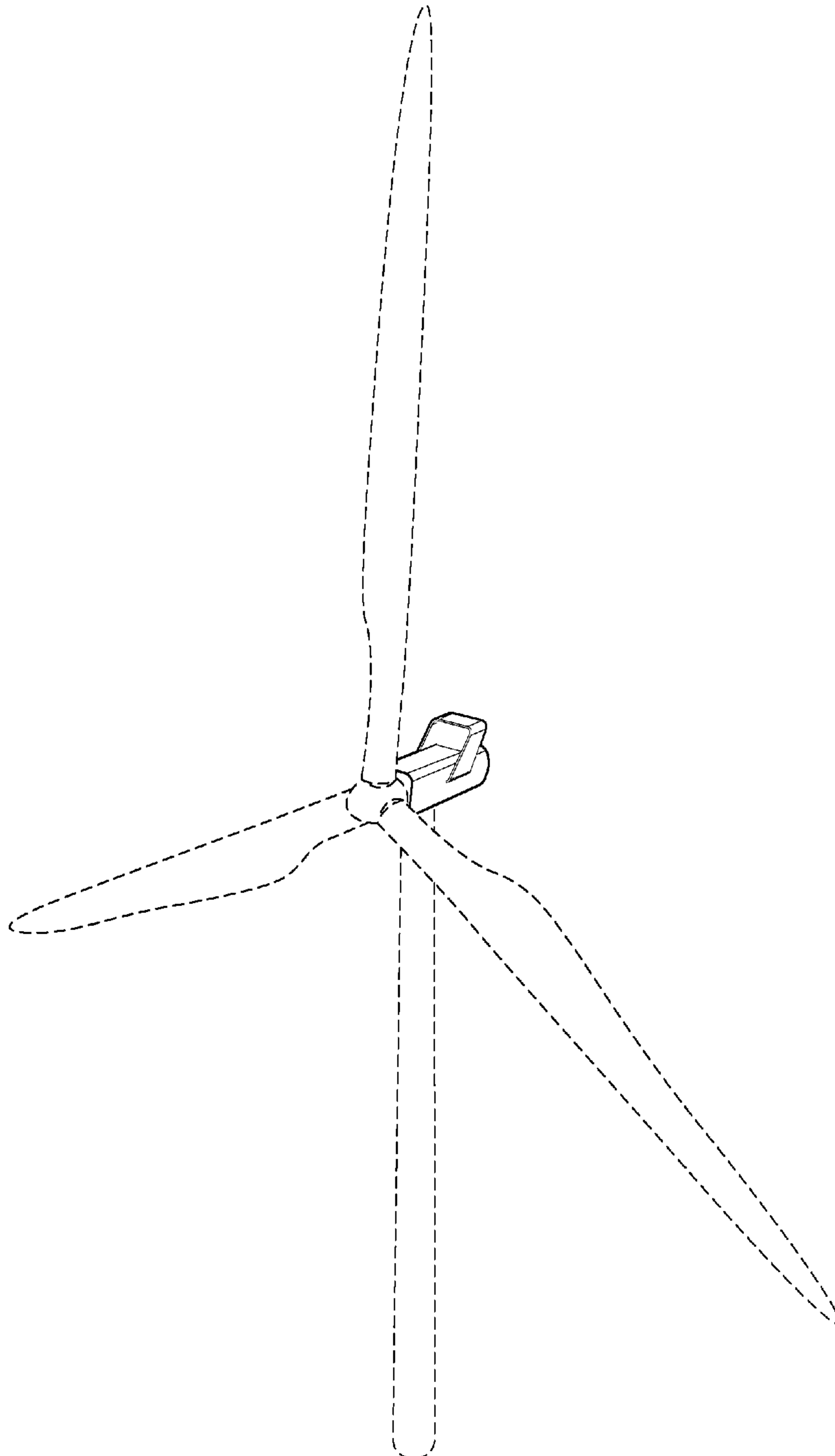


FIG. 10

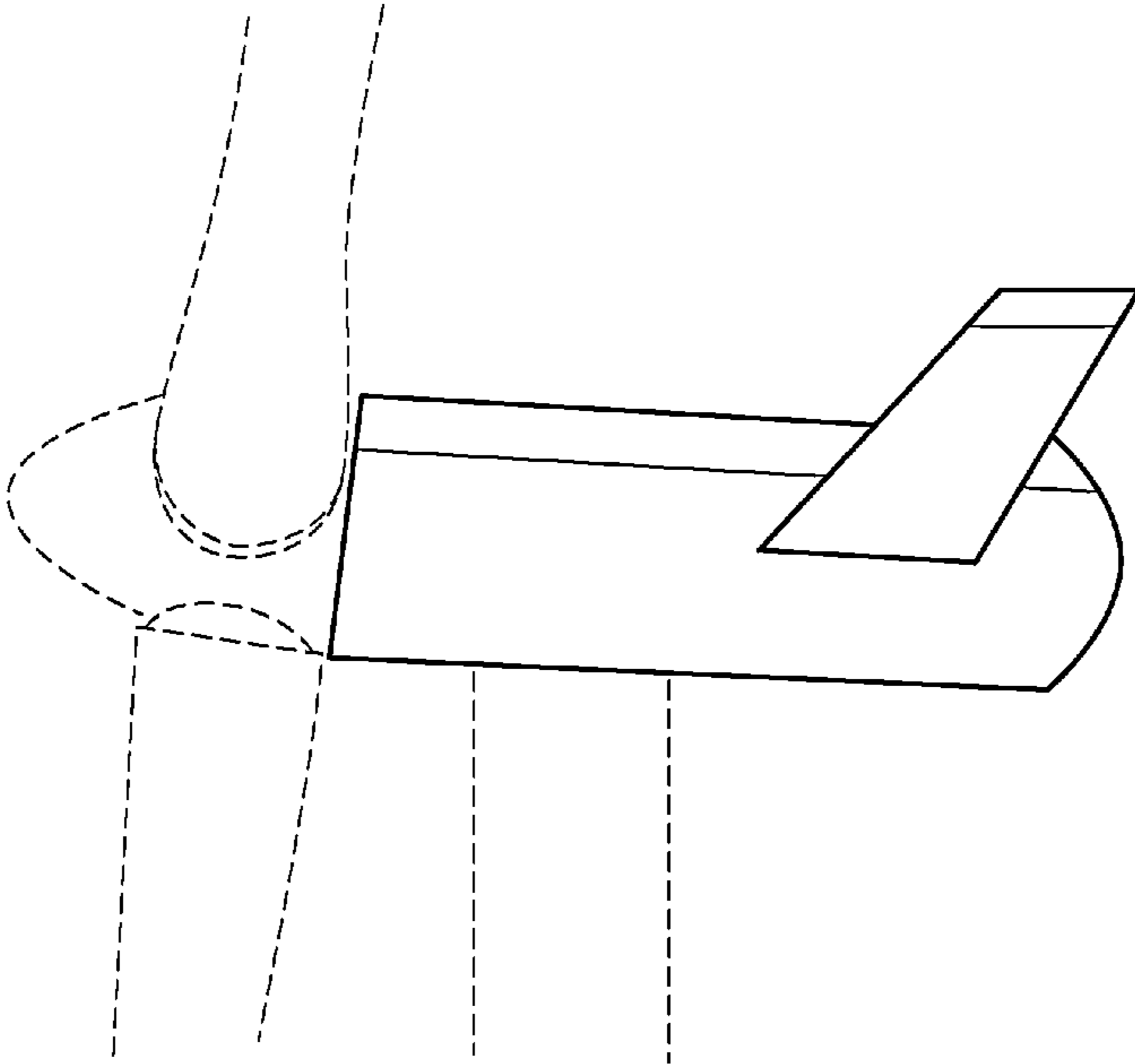


FIG. 11

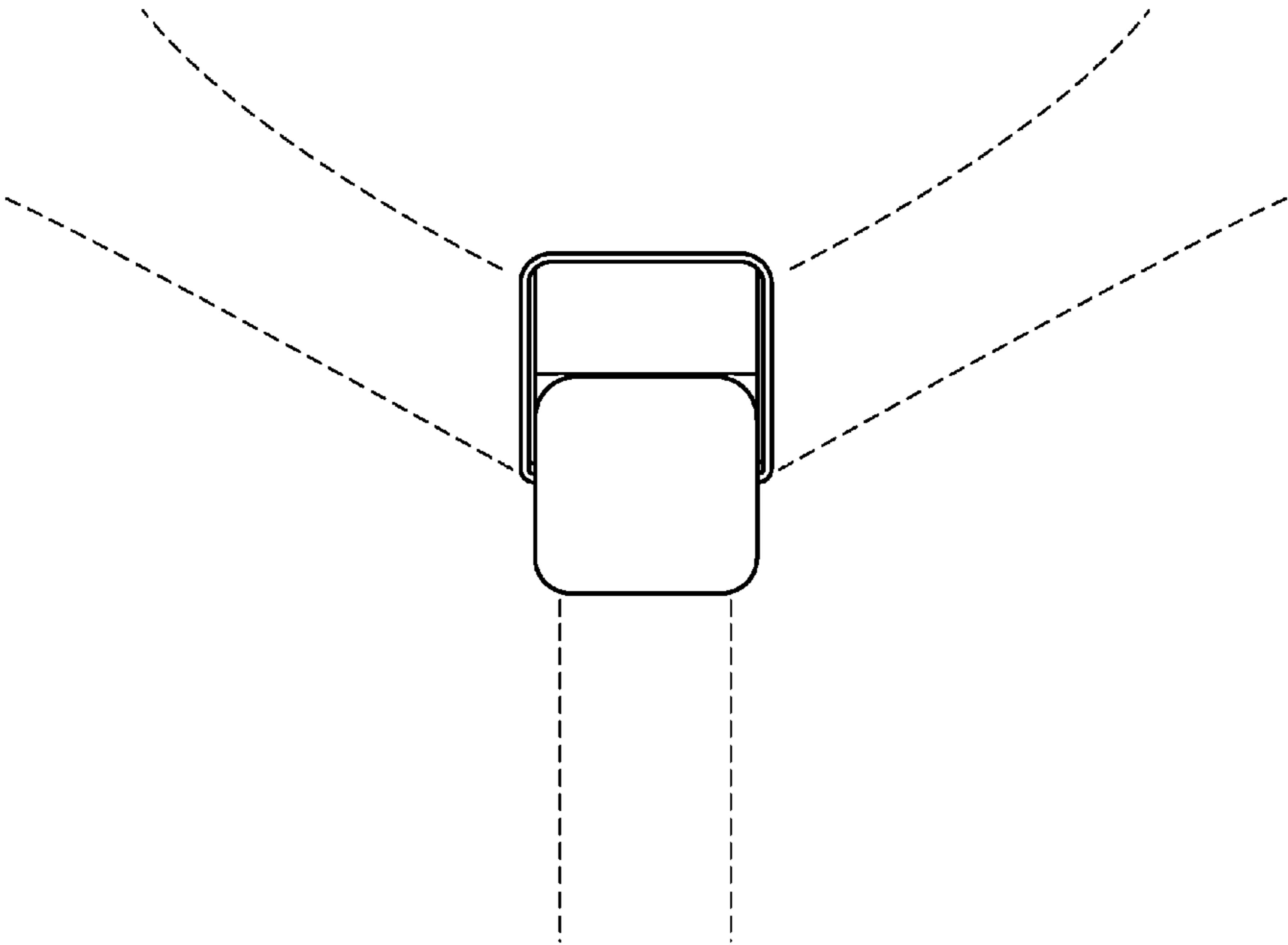


FIG. 12



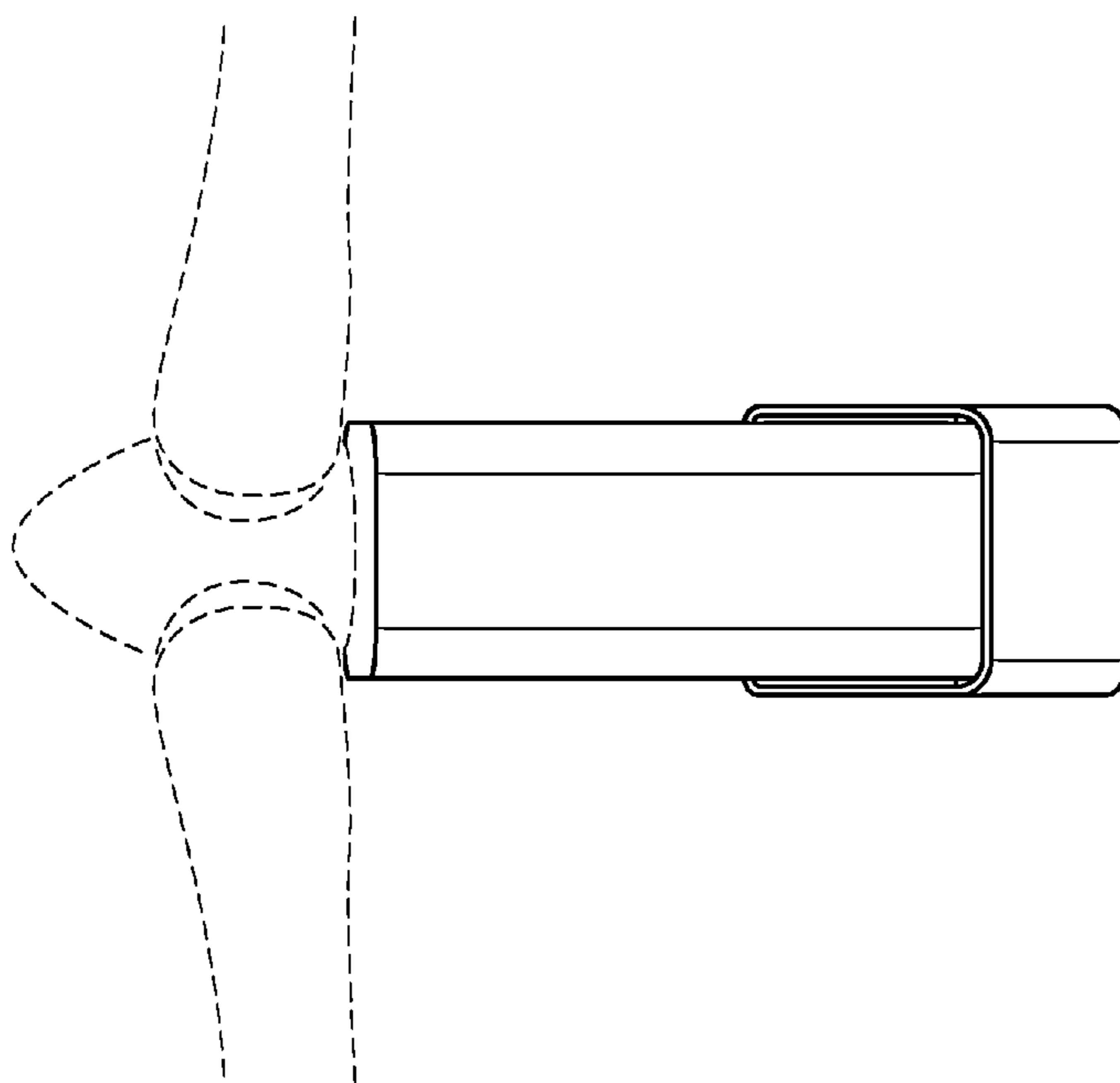


FIG. 13

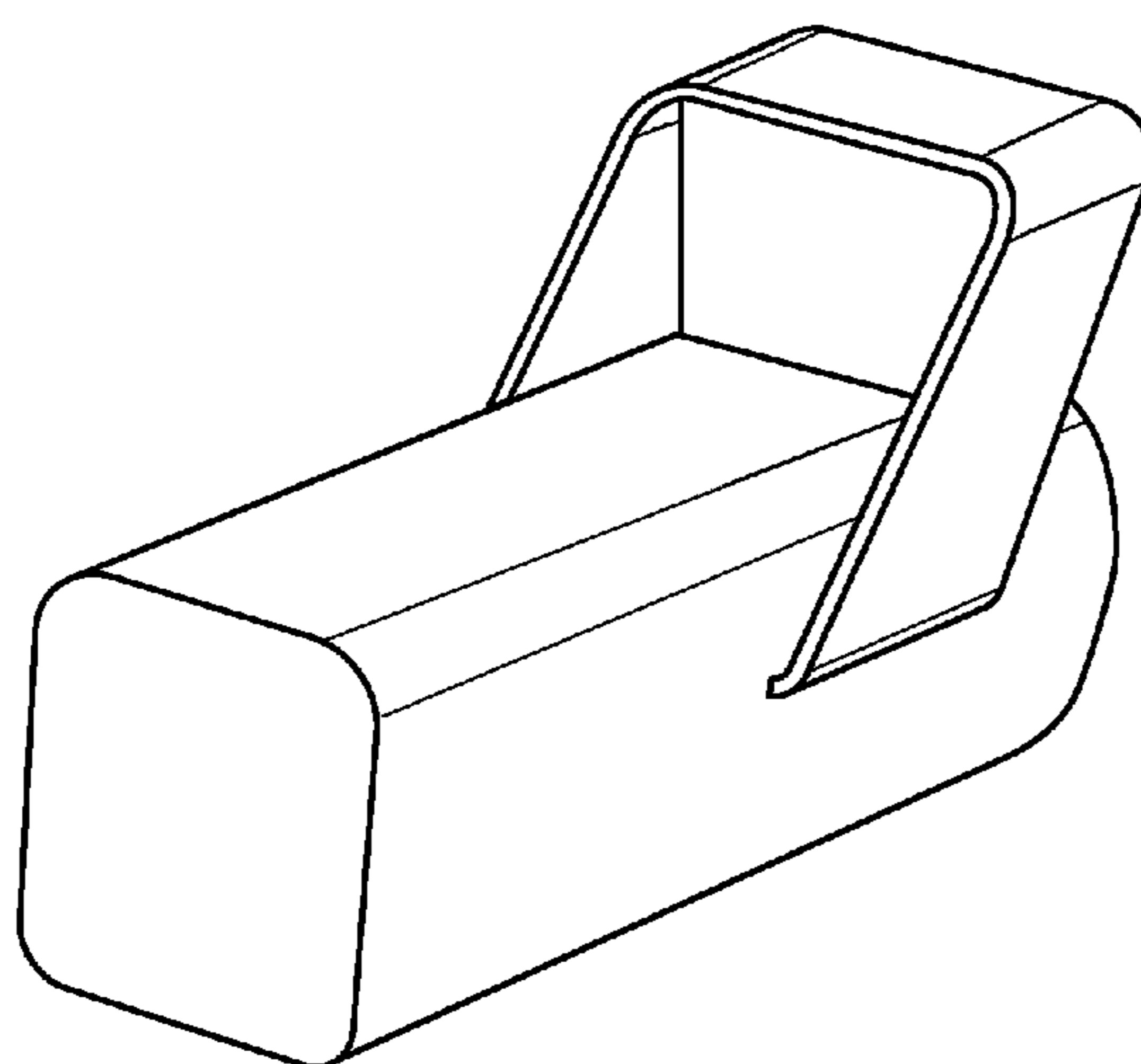


FIG. 14

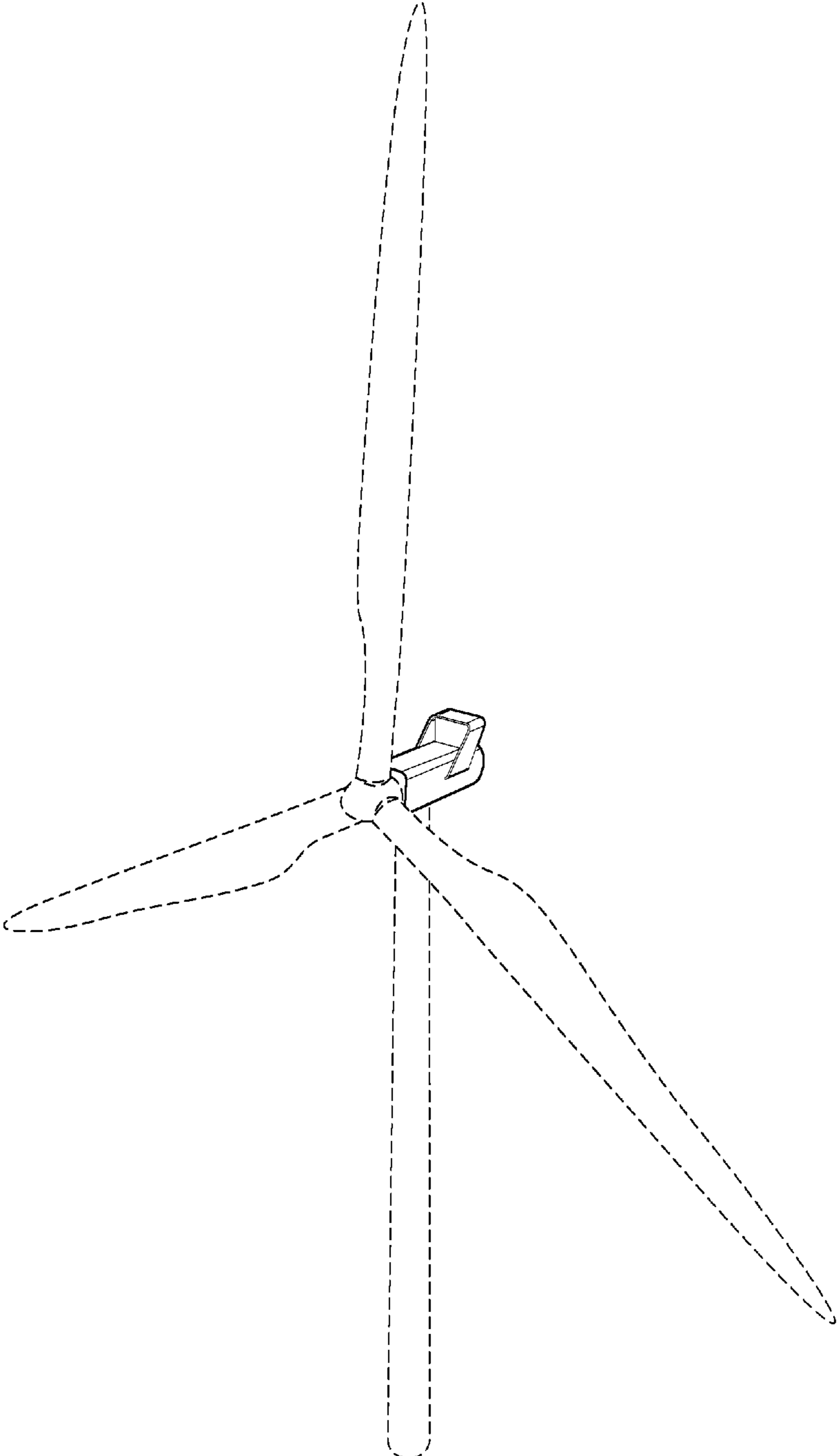


FIG. 15