



US00D669851S

(12) **United States Design Patent**
Ikegame

(10) **Patent No.:** **US D669,851 S**

(45) **Date of Patent:** **** Oct. 30, 2012**

(54) **BATTERY CHARGER FOR ELECTRONIC CASSETTE**

(75) **Inventor:** **Haruka Ikegame**, Ashigarakami-gun (JP)

(73) **Assignee:** **FUJIFILM Corporation**, Tokyo (JP)

(**) **Term:** **14 Years**

(21) **Appl. No.:** **29/412,513**

(22) **Filed:** **Feb. 3, 2012**

(30) **Foreign Application Priority Data**

Sep. 7, 2011 (JP) 2011-020396

(51) **LOC (9) Cl.** **13-02**

(52) **U.S. Cl.** **D13/108**

(58) **Field of Classification Search** D13/107-110,
D13/118-119, 184; D14/251, 253, 432,
D14/434; 320/107-115

See application file for complete search history.

(56) **References Cited**

U.S. PATENT DOCUMENTS

D351,133 S * 10/1994 Jungels-Butler et al. D13/108
D428,387 S * 7/2000 Malloy et al. D13/107

D505,958 S * 6/2005 Cheng D14/434
D540,327 S * 4/2007 Wong et al. D14/434
D584,313 S * 1/2009 Pittel et al. D14/434
D595,722 S * 7/2009 Miyawaki D14/447
D603,333 S * 11/2009 Fahrendorff et al. D13/107
D631,008 S * 1/2011 Kuroda et al. D13/108
D638,831 S * 5/2011 Paradise D14/253
D640,699 S * 6/2011 McParland D14/434
D642,979 S * 8/2011 Chun et al. D13/108
D648,339 S * 11/2011 O'Neil et al. D14/434
D659,092 S * 5/2012 Kawano et al. D13/108

* cited by examiner

Primary Examiner — Rosemary K Tarcaza

(74) *Attorney, Agent, or Firm* — Sughrue Mion, PLLC

(57) **CLAIM**

The ornamental design for a battery charger for electronic cassette, as shown and described.

DESCRIPTION

FIG. 1 is a top, front and side perspective view of a battery charger for electronic cassette showing my new design; FIG. 2 is a front elevational view thereof; FIG. 3 is a rear elevational view thereof; FIG. 4 is a top plan view thereof; FIG. 5 is a bottom plan view thereof; and FIG. 6 is a left side elevational view thereof; and, FIG. 7 is a right side elevational view thereof.

1 Claim, 3 Drawing Sheets

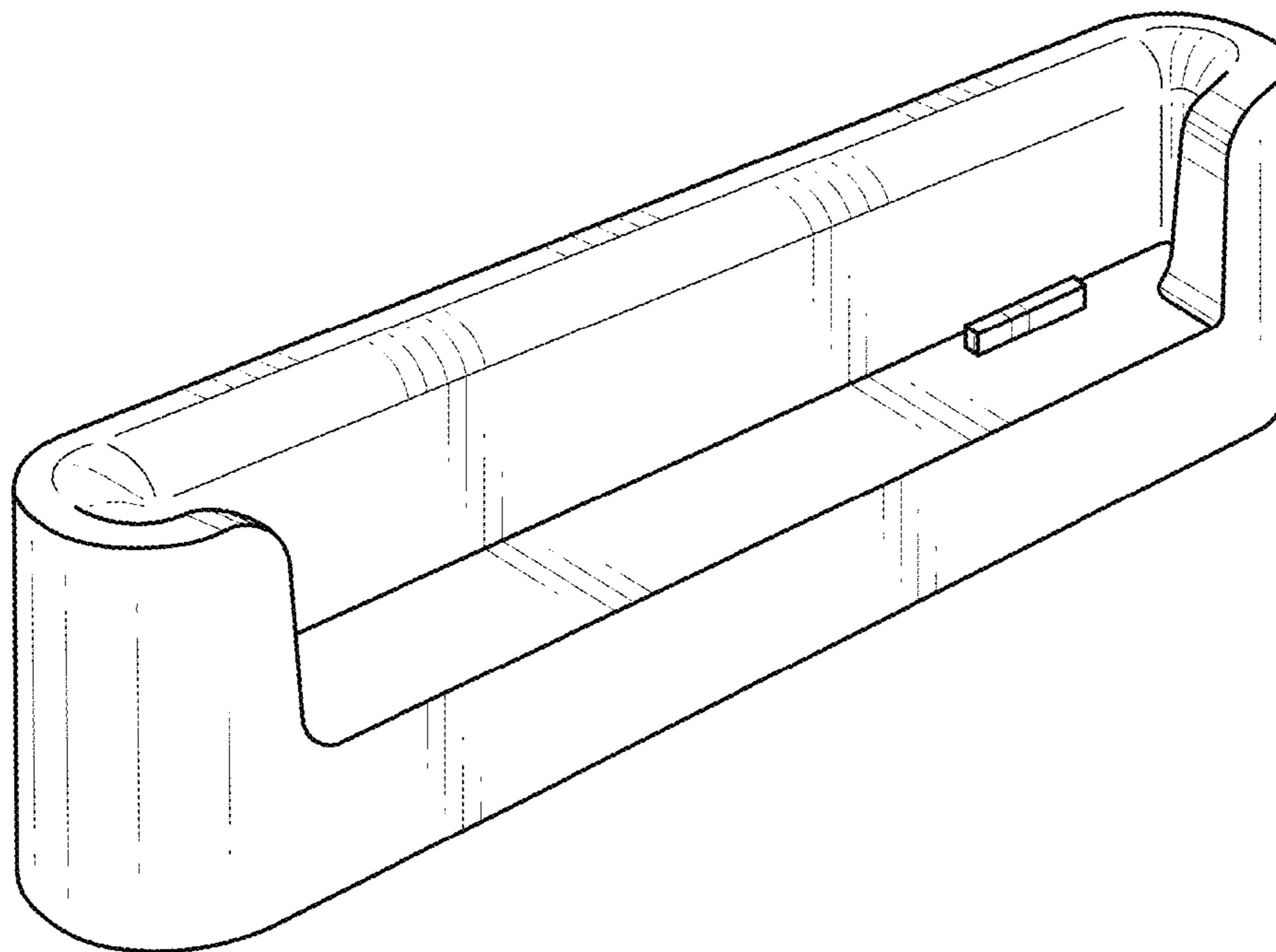


FIG. 1

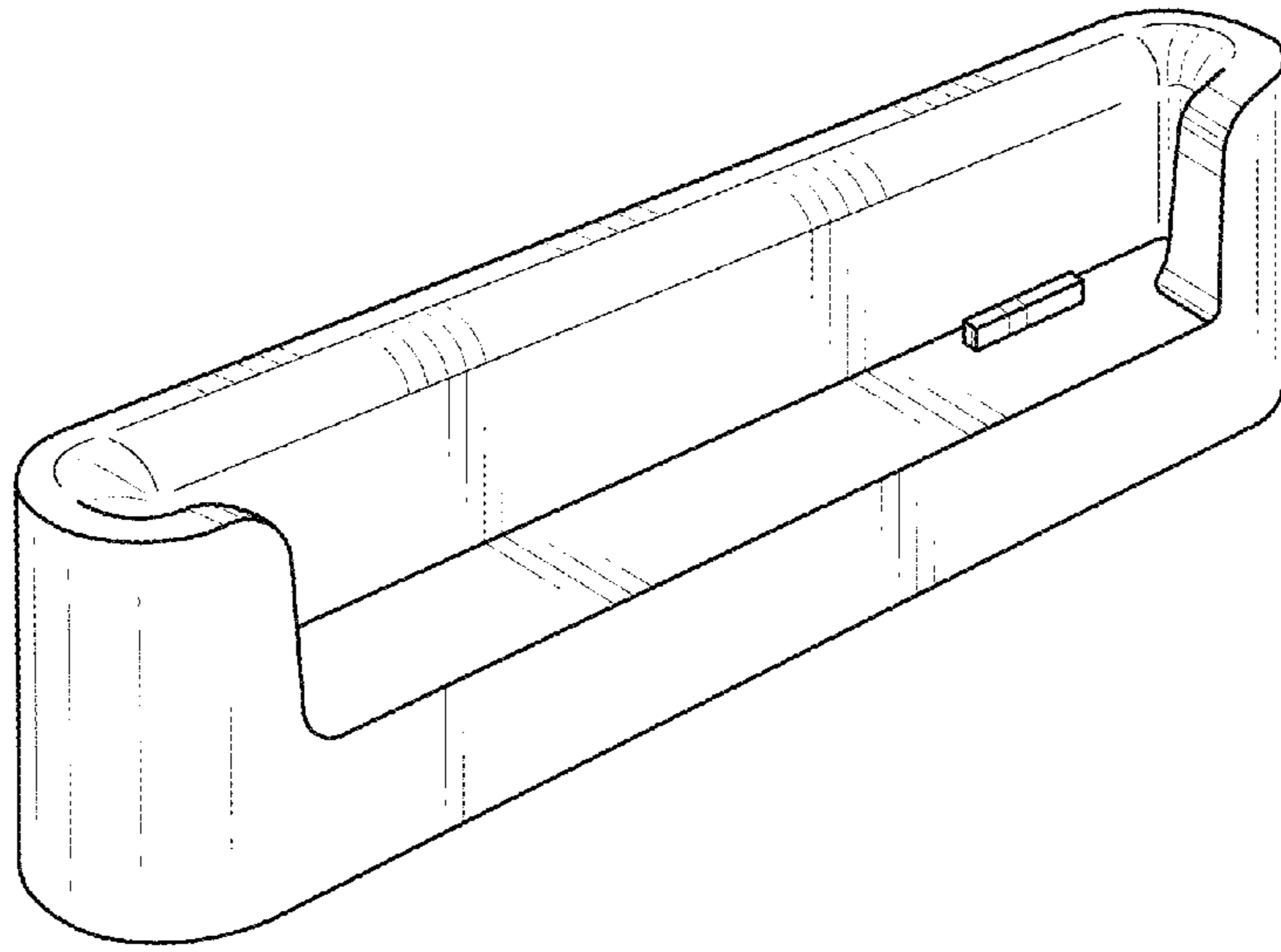


FIG. 2

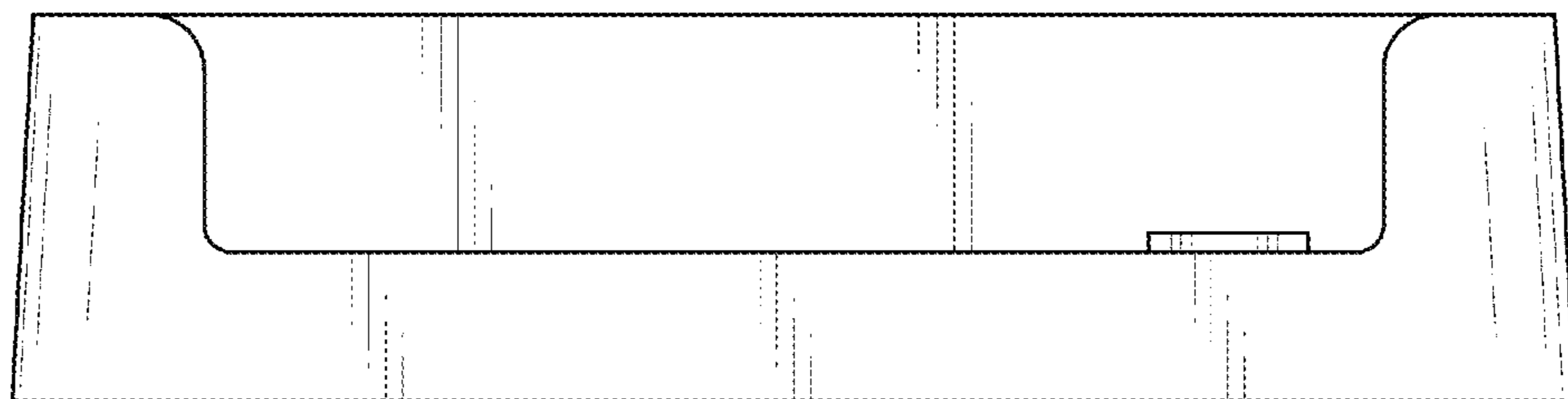


FIG. 3

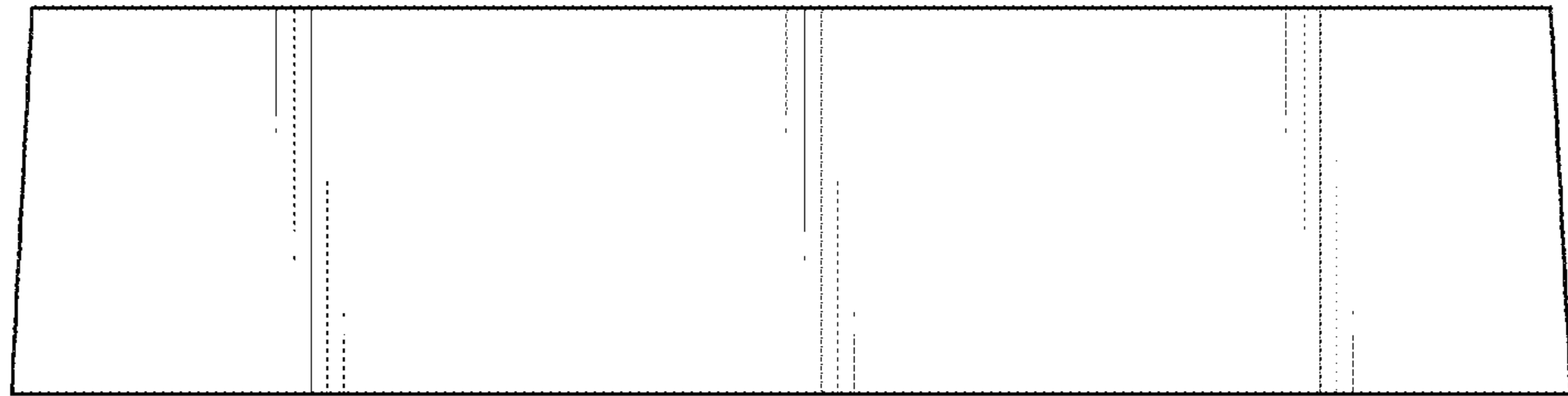


FIG. 4

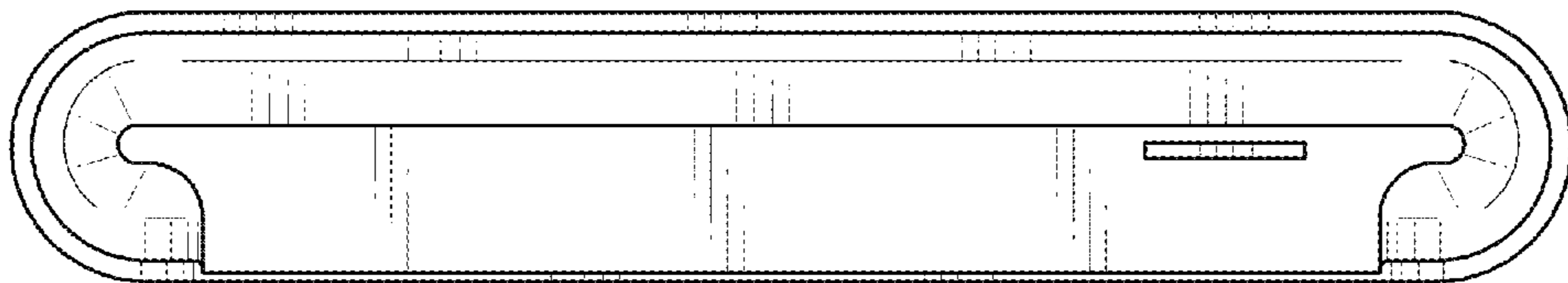


FIG. 5

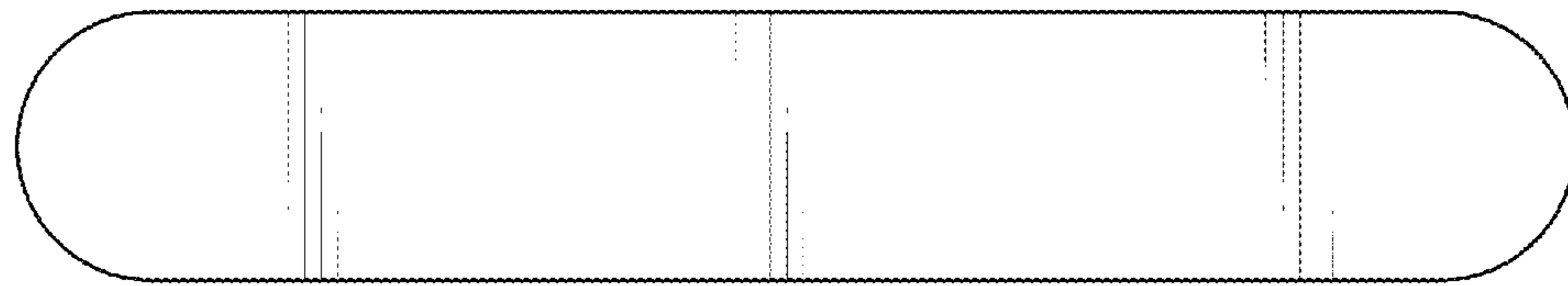


FIG. 6

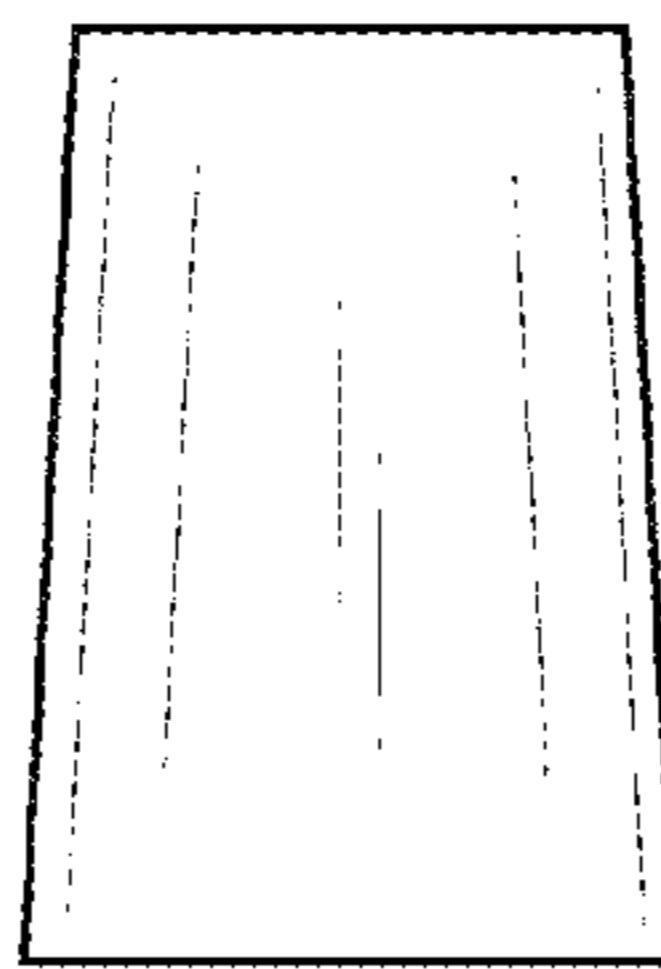


FIG. 7

