



US00D669848S

(12) **United States Design Patent**
Andresen

(10) **Patent No.:** **US D669,848 S**

(45) **Date of Patent:** **** Oct. 30, 2012**

(54) **SOLAR CELL UNIT**

(75) Inventor: **Marius Andresen**, Oslo (NO)

(73) Assignee: **K8 Industridesign AS**, Oslo (NO)

(**) Term: **14 Years**

(21) Appl. No.: **29/418,092**

(22) Filed: **Apr. 12, 2012**

(30) **Foreign Application Priority Data**

Nov. 18, 2011 (NO) 20110901

(51) **LOC (9) Cl.** **13-02**

(52) **U.S. Cl.** **D13/102**

(58) **Field of Classification Search** D13/102,
D13/101, 103, 107, 108, 110, 154, 199; D8/358,
D8/359; 126/569; 136/206, 243, 244, 245,
136/246, 251, 252; 320/101; 323/906

See application file for complete search history.

(56) **References Cited**

U.S. PATENT DOCUMENTS

D288,593 S *	3/1987	Campbell	D13/102
D289,851 S *	5/1987	Huen	D8/358
D353,130 S *	12/1994	Aldrich et al.	D13/102
6,812,398 B2 *	11/2004	Yueh	136/246
D562,224 S *	2/2008	Bonnaud	D13/102
D563,866 S *	3/2008	Bonnaud	D13/102
D602,856 S *	10/2009	Lu et al.	D13/102
D610,080 S *	2/2010	Kawakami et al.	D13/102
D630,575 S *	1/2011	Waschek	D13/102

* cited by examiner

Primary Examiner — Derrick Holland

(74) *Attorney, Agent, or Firm* — Wong, Cabello, Lutsch, Rutherford & Bruculeri, L.L.P.

(57) **CLAIM**

The ornamental design for a solar cell unit, as shown and described.

DESCRIPTION

FIG. 1 is a top perspective view of a solar cell unit showing my new design in a closed condition.

FIG. 2 is a top view thereof.

FIG. 3 is a bottom perspective view thereof.

FIG. 4 is a bottom view thereof.

FIG. 5 is a first side view thereof.

FIG. 6 is a second side view thereof, at 90-degrees to the first side view.

FIG. 7 is a third side view thereof, at 90-degrees to the second side view.

FIG. 8 is a fourth side view thereof, at 90-degrees to the third side view.

FIG. 9 is a top perspective view of the solar cell unit in an opened condition.

FIG. 10 is a top view thereof.

FIG. 11 is a bottom perspective view thereof.

FIG. 12 is a bottom view thereof.

FIG. 13 is a first side view thereof.

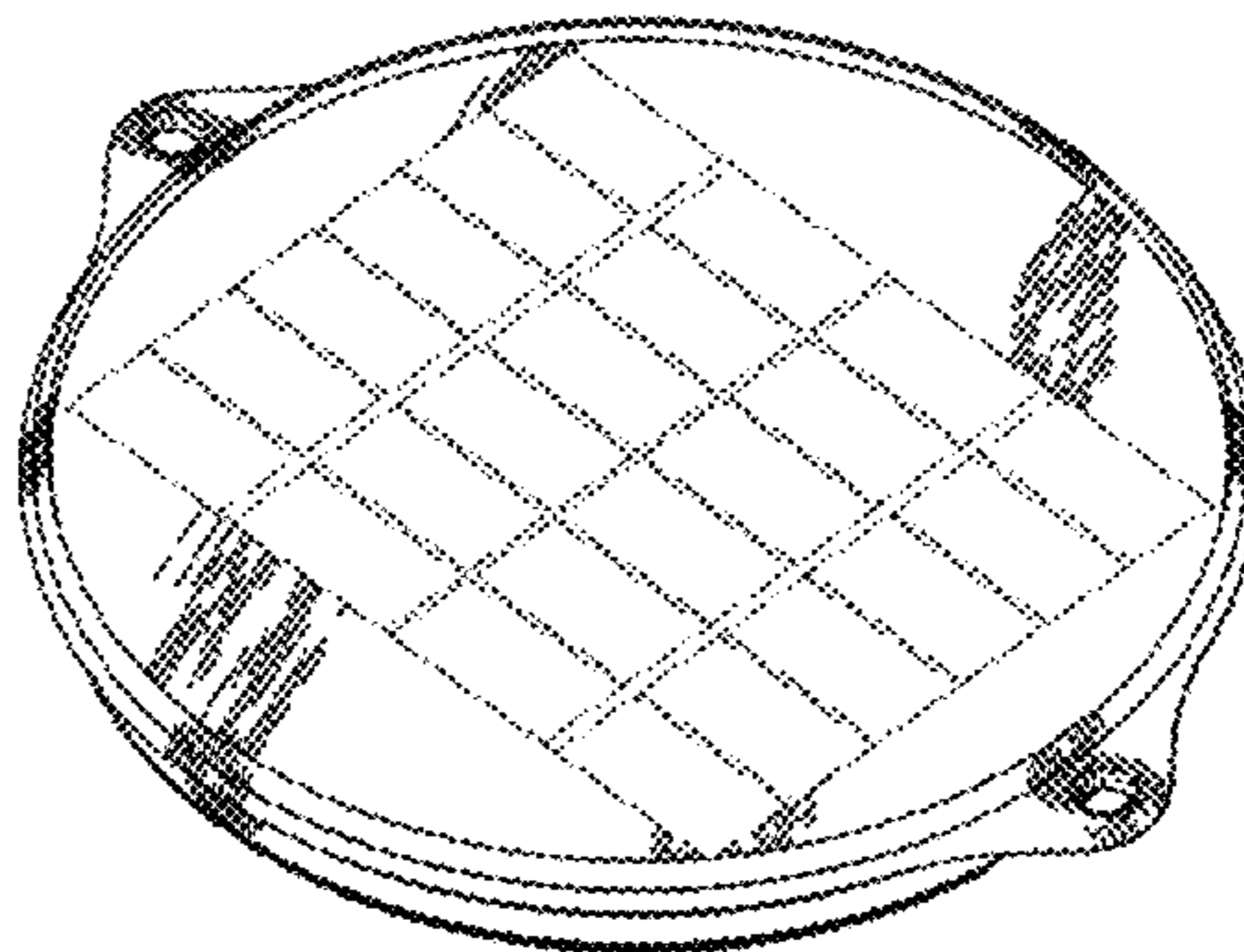
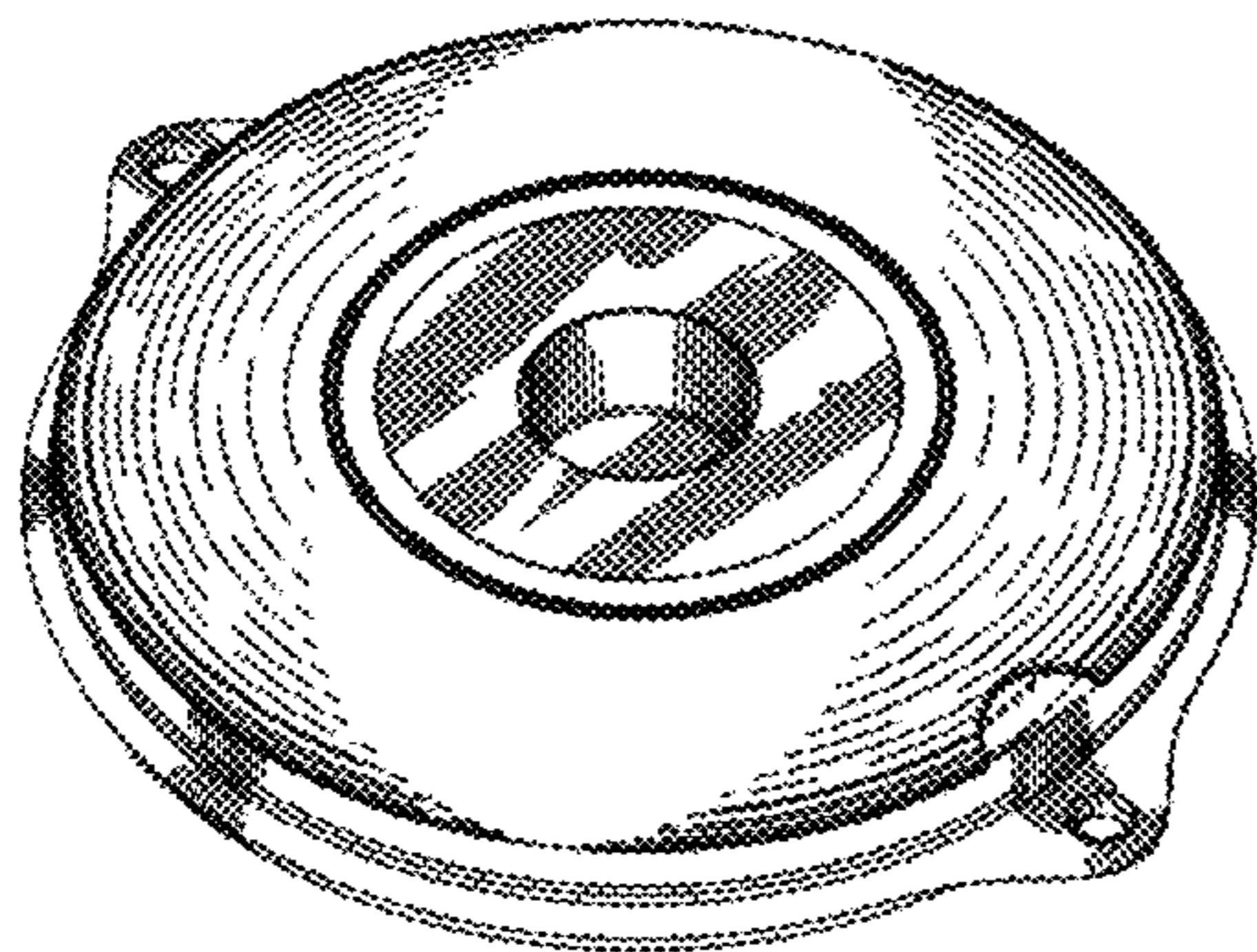
FIG. 14 is a second side view thereof, at 90-degrees to the first side view.

FIG. 15 is a third side view thereof, at 90-degrees to the second side view; and,

FIG. 16 is a fourth side view thereof, at 90-degrees to the third side view.

The broken lines shown represent unclaimed subject matter and form no part of the claimed design.

1 Claim, 6 Drawing Sheets



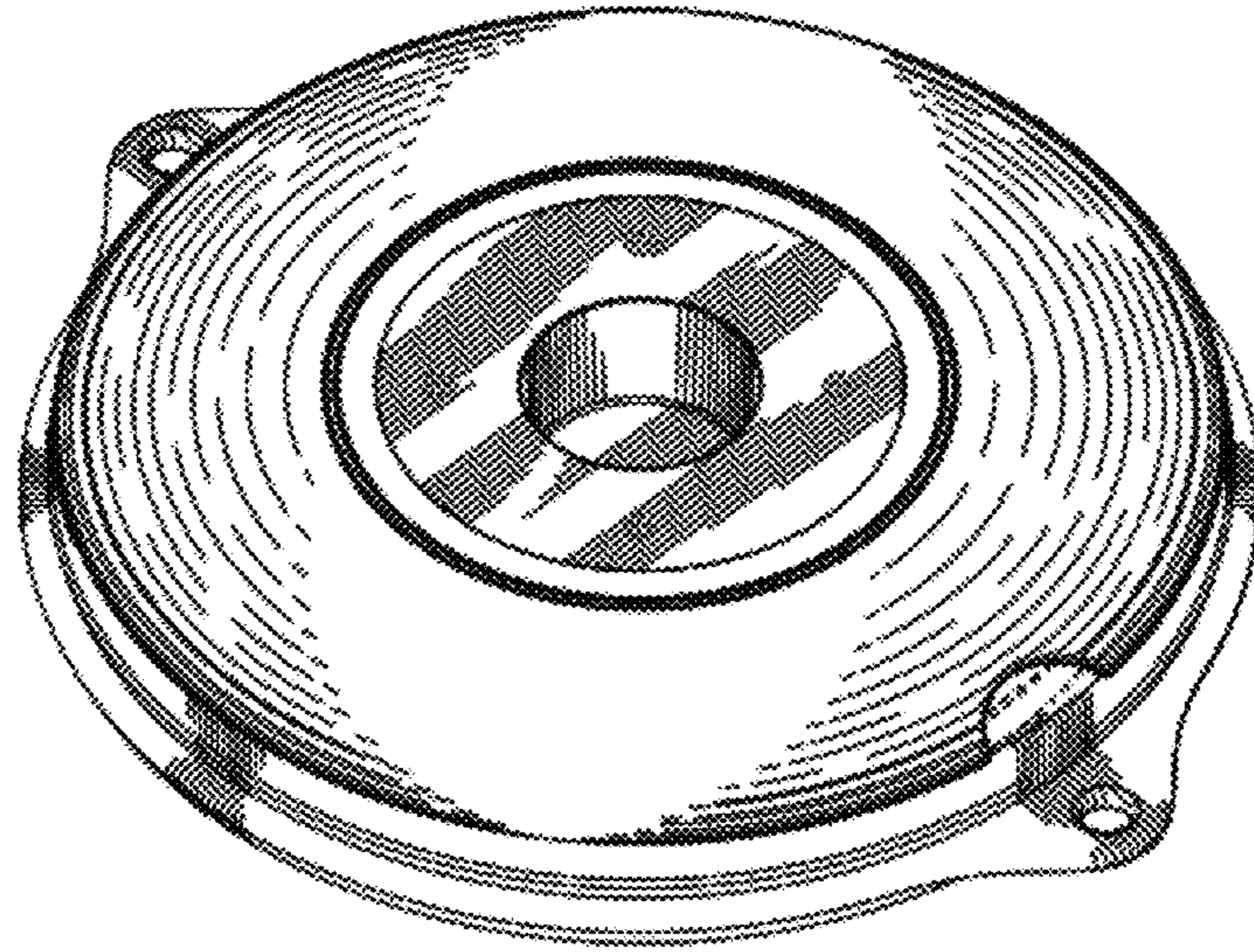


FIG. 1

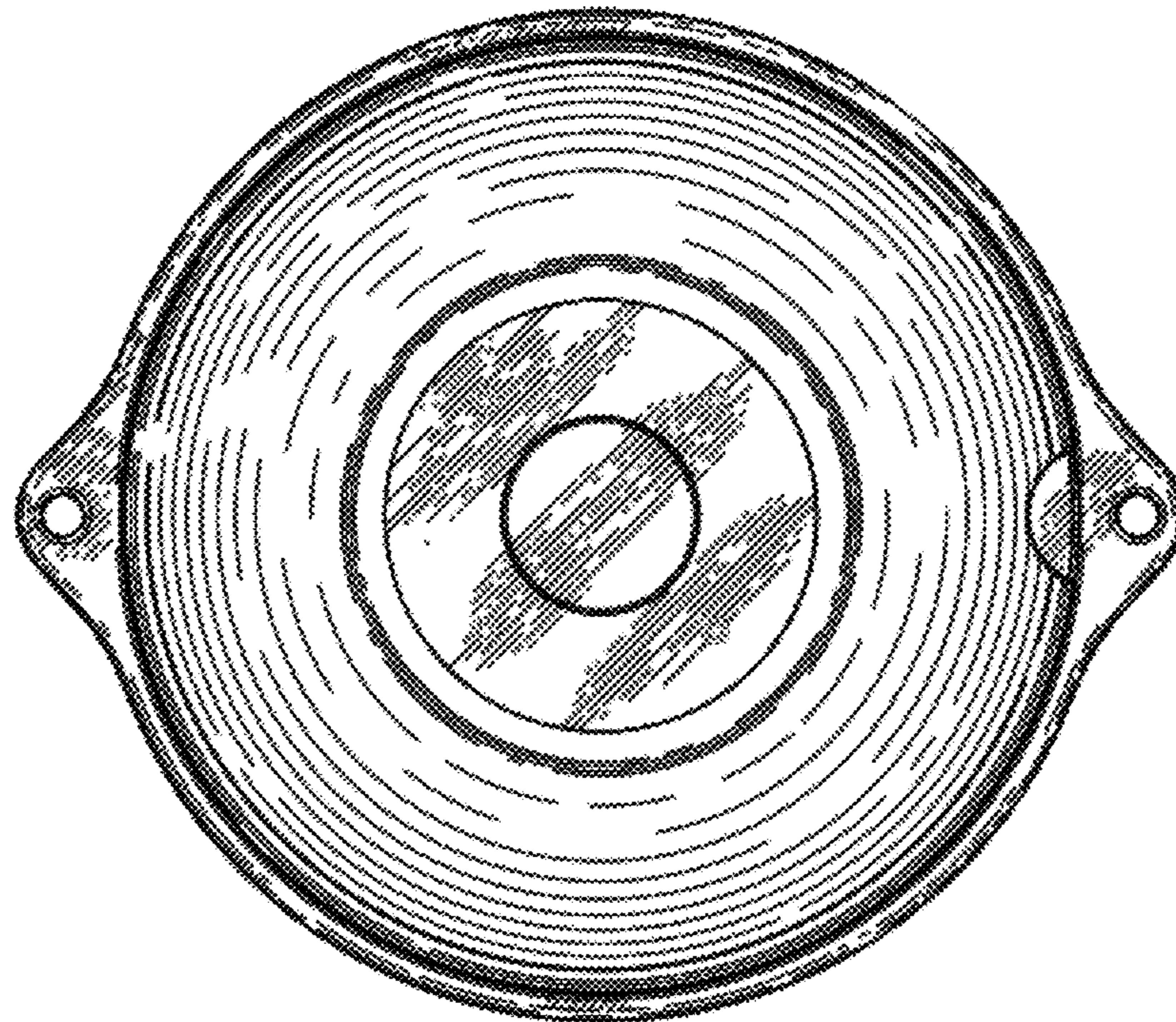


FIG. 2

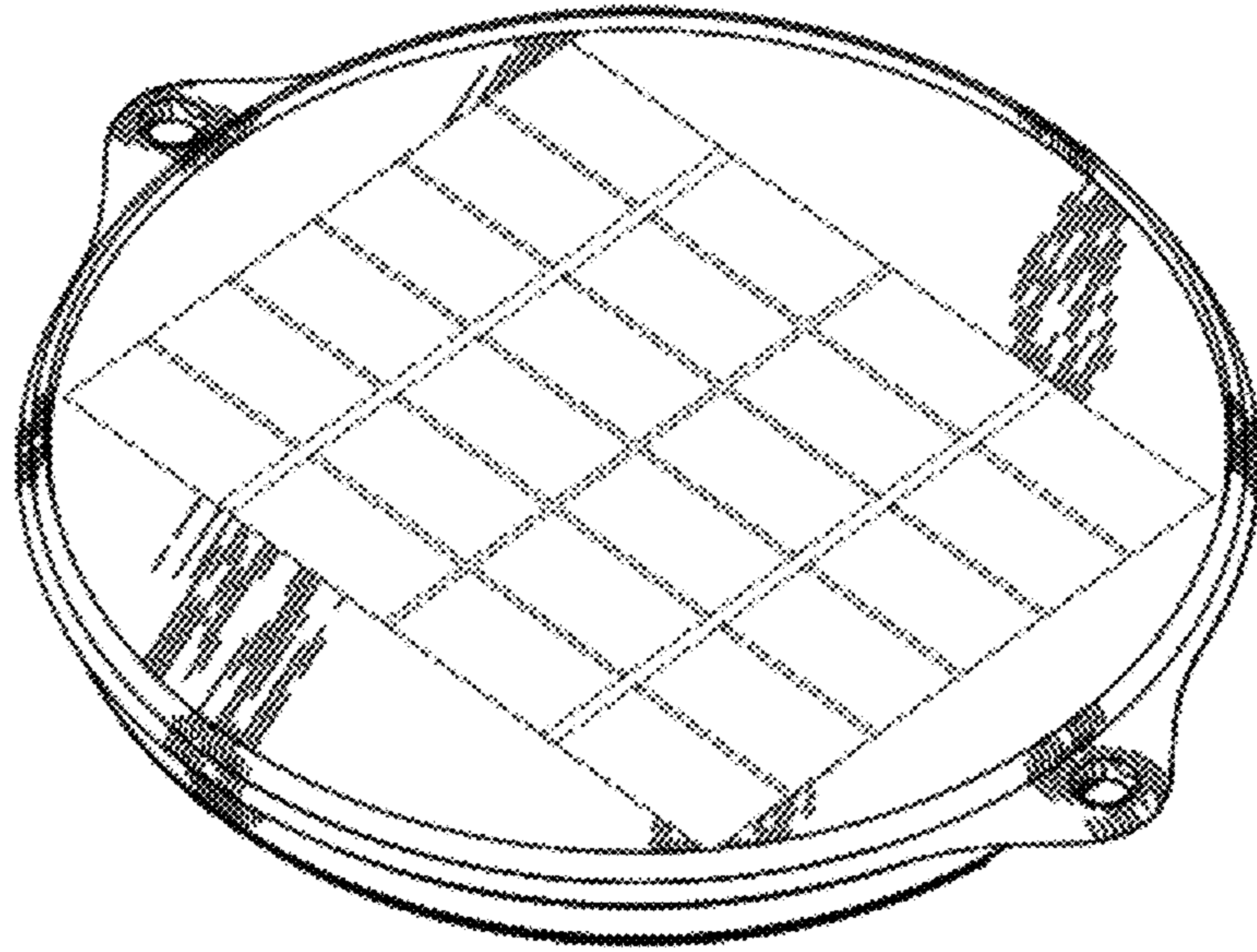


FIG. 3

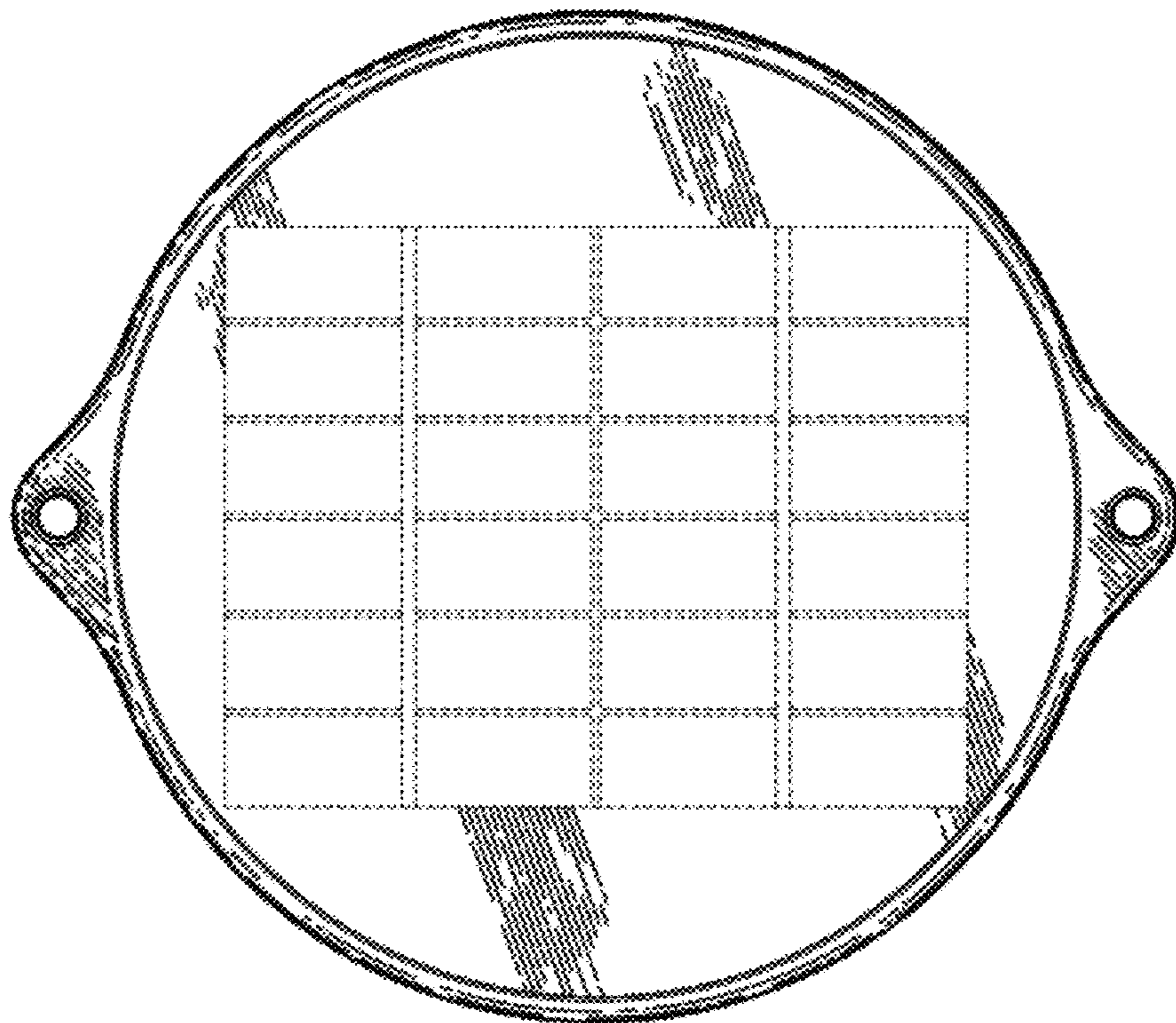


FIG. 4



FIG. 5

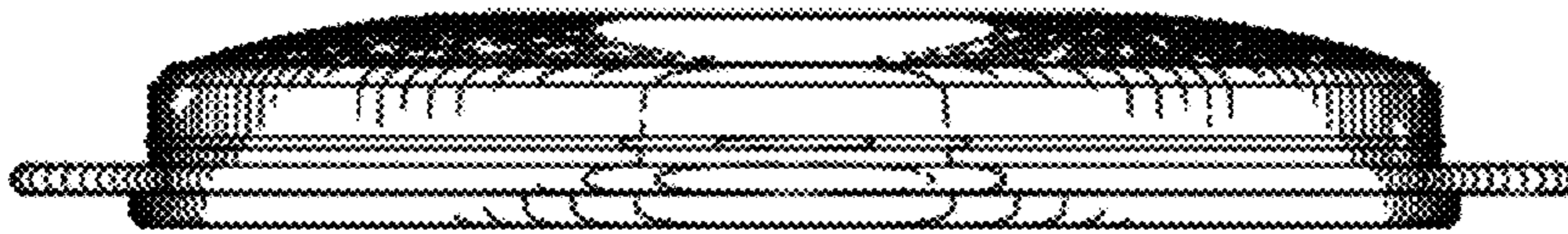


FIG. 6

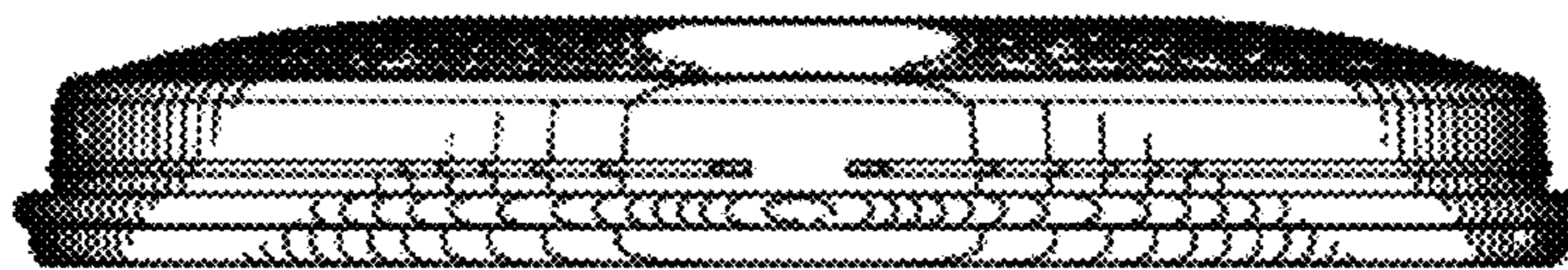


FIG. 7

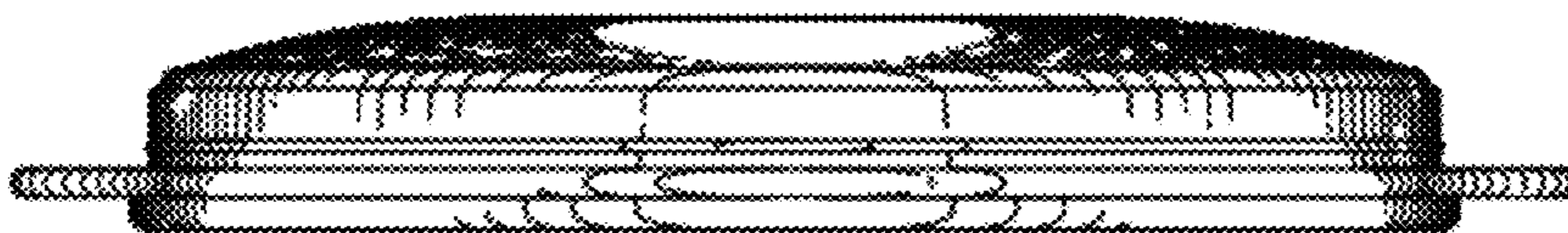


FIG. 8

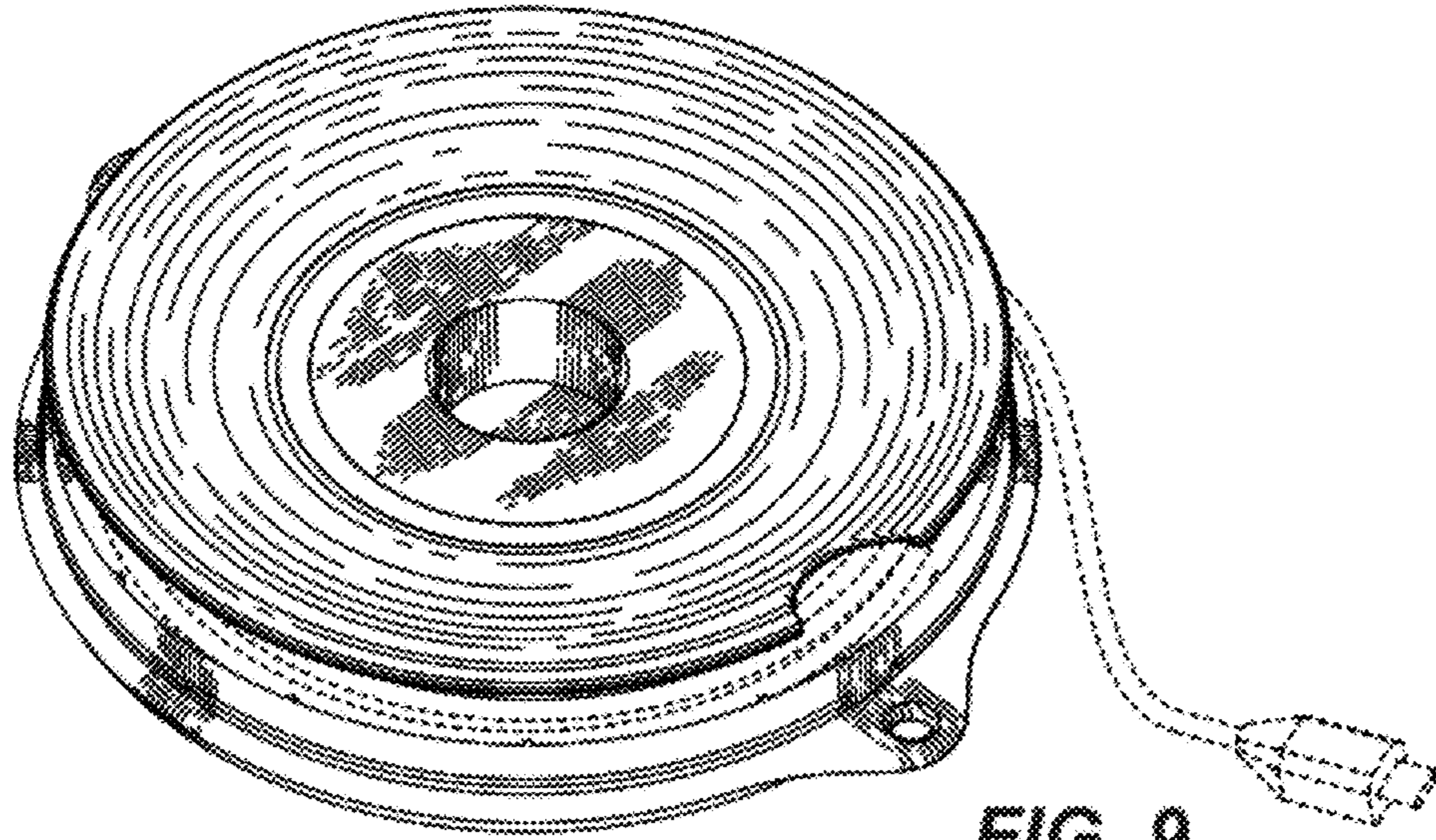


FIG. 9

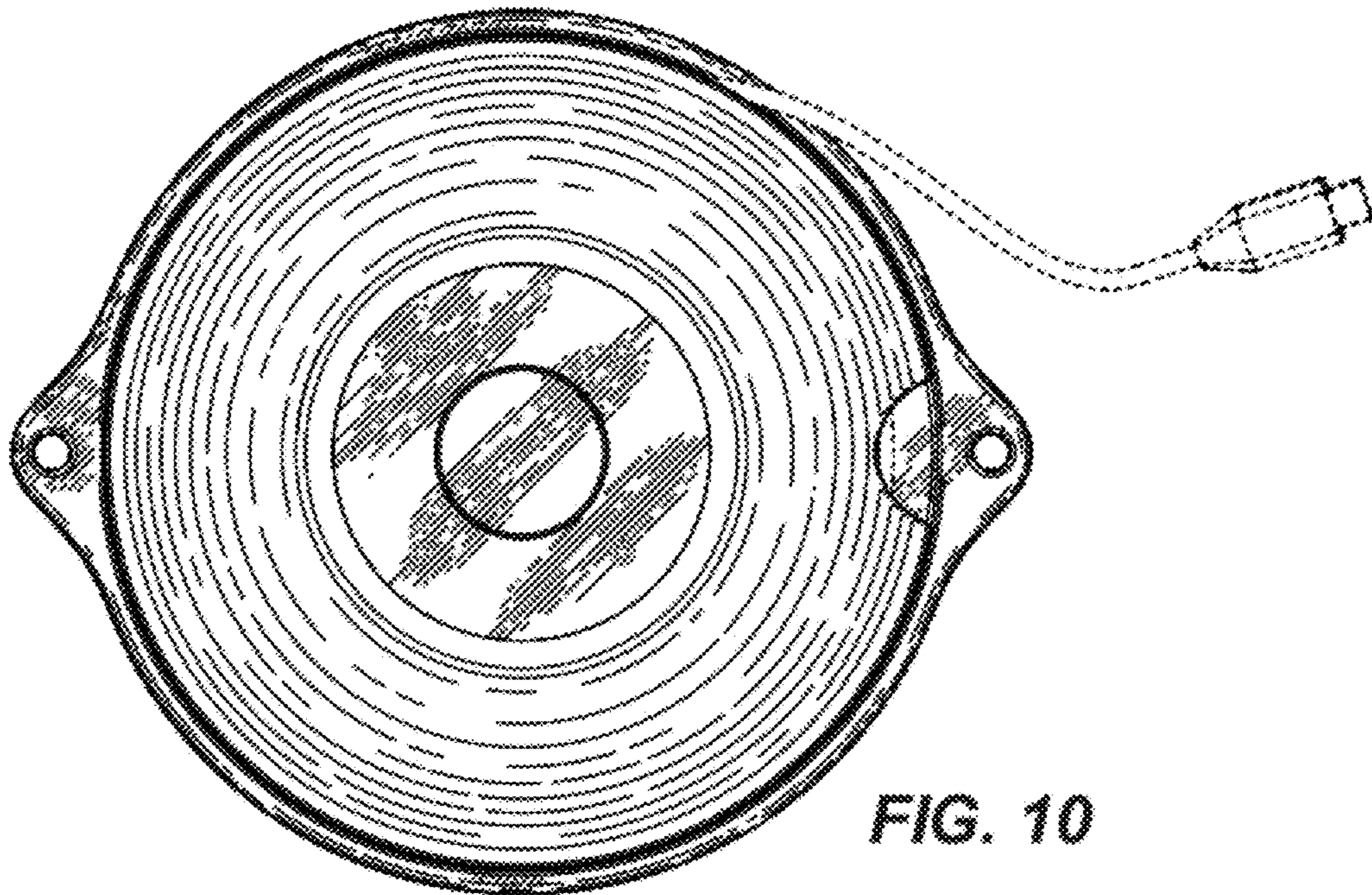


FIG. 10

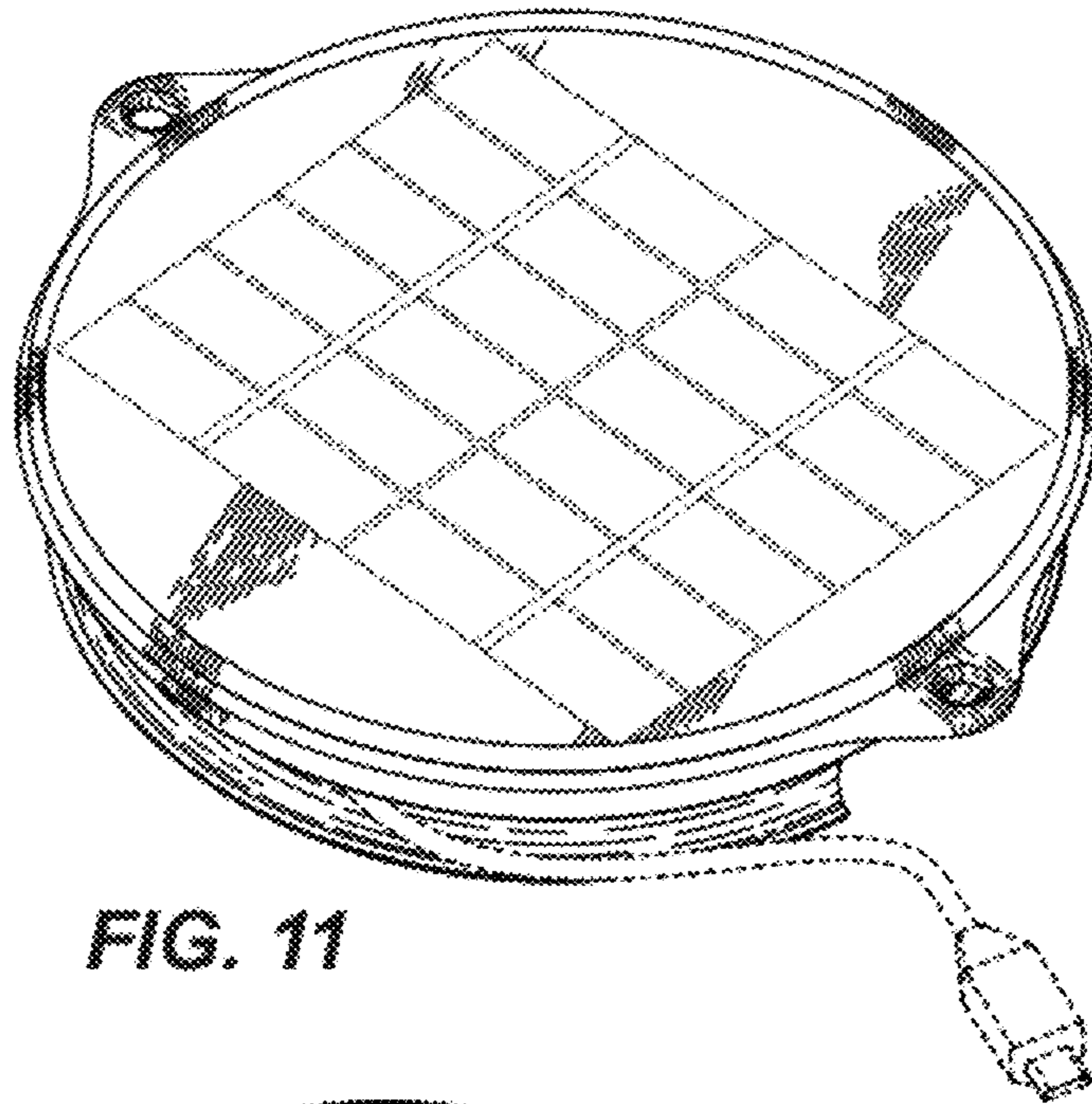


FIG. 11

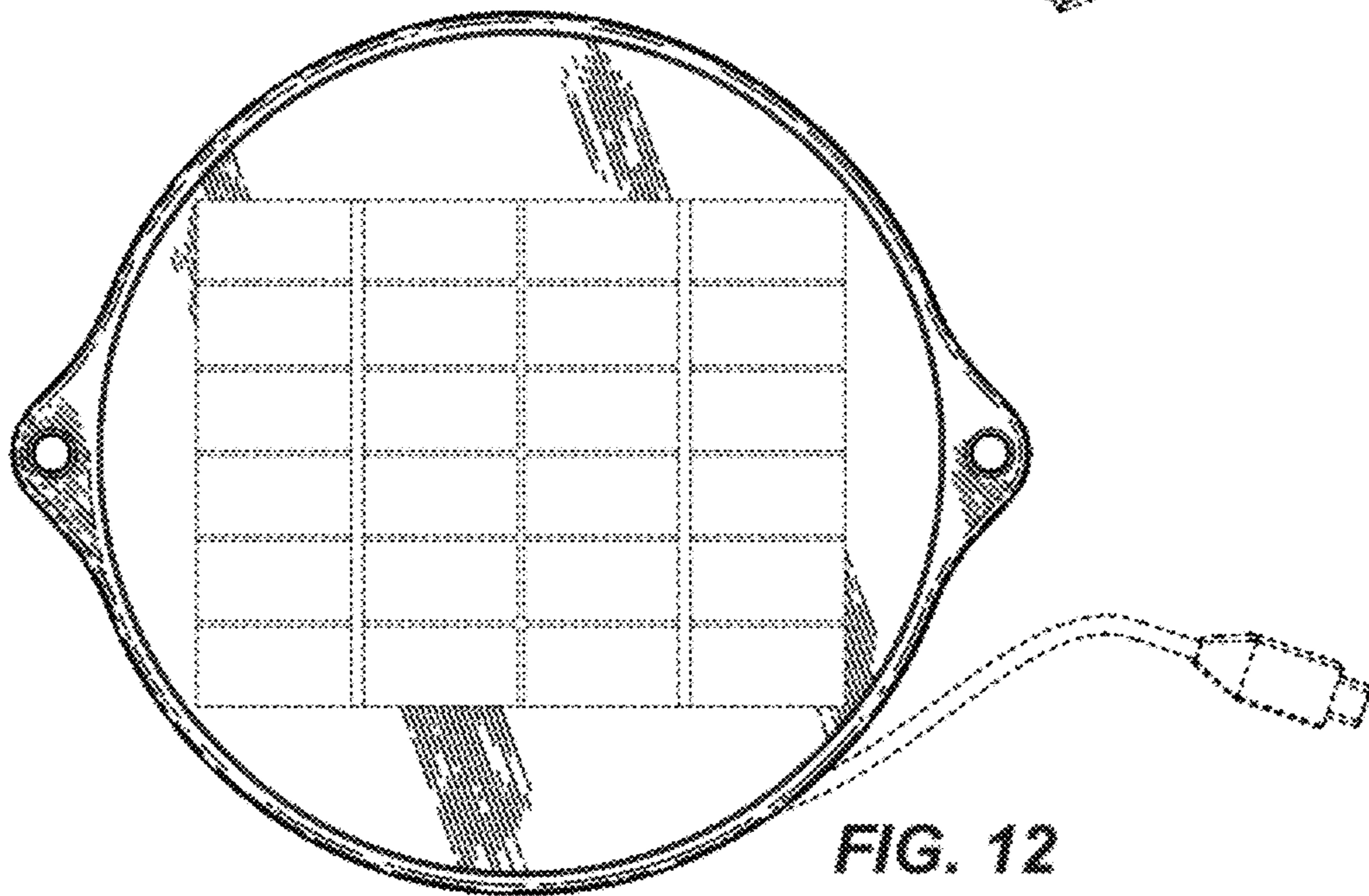


FIG. 12

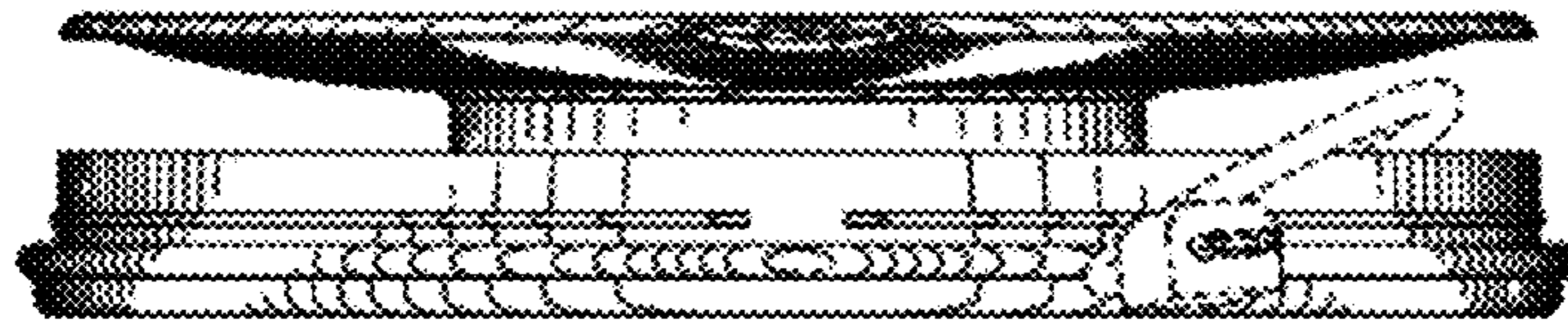


FIG. 13



FIG. 14

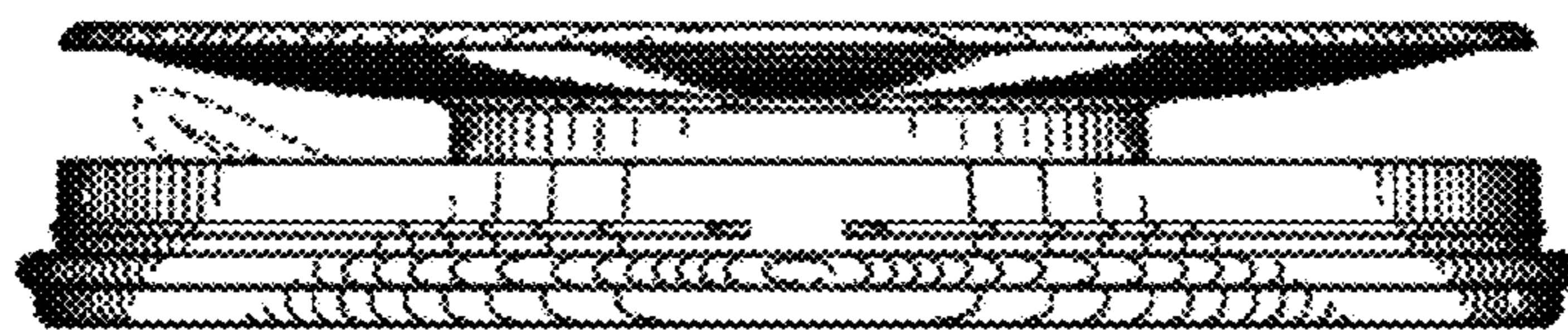


FIG. 15



FIG. 16