



US00D669847S

(12) **United States Design Patent**
Jadraque Aznarez et al.

(10) **Patent No.:** **US D669,847 S**
(45) **Date of Patent:** **** Oct. 30, 2012**

(54) **PHOTOVOLTAIC INVERTER**

(75) Inventors: **Juan Carlos Jadraque Aznarez**,
Miñano Mayor (ES); **Javier Aramendía**
Romero, Miñano Mayor (ES)

(73) Assignee: **Ingeteam Power Technology, S.A.** (ES)

(**) Term: **14 Years**

(21) Appl. No.: **29/415,165**

(22) Filed: **Mar. 8, 2012**

(51) **LOC (9) Cl.** **13-02**

(52) **U.S. Cl.** **D13/102; D13/110**

(58) **Field of Classification Search** D13/102,
D13/101, 110, 123, 124, 164, 184, 199; D14/240,
D14/242, 356–358, 432, 433, 496; 136/243,
136/248; 361/600, 601, 622, 703, 730, 733;
363/15, 16, 34, 39, 40, 95, 109
See application file for complete search history.

(56) **References Cited**

U.S. PATENT DOCUMENTS

D450,295 S * 11/2001 Okayama et al. D13/110
D502,916 S * 3/2005 Higuchi et al. D13/110

D507,528 S * 7/2005 Feldman et al. D13/110
D582,842 S * 12/2008 Wei D13/102
D604,237 S * 11/2009 Engel et al. D13/110
D604,239 S * 11/2009 Engel et al. D13/110
D644,603 S * 9/2011 Liu D13/102

* cited by examiner

Primary Examiner — Derrick Holland

(74) *Attorney, Agent, or Firm* — Cantor Colburn LLP

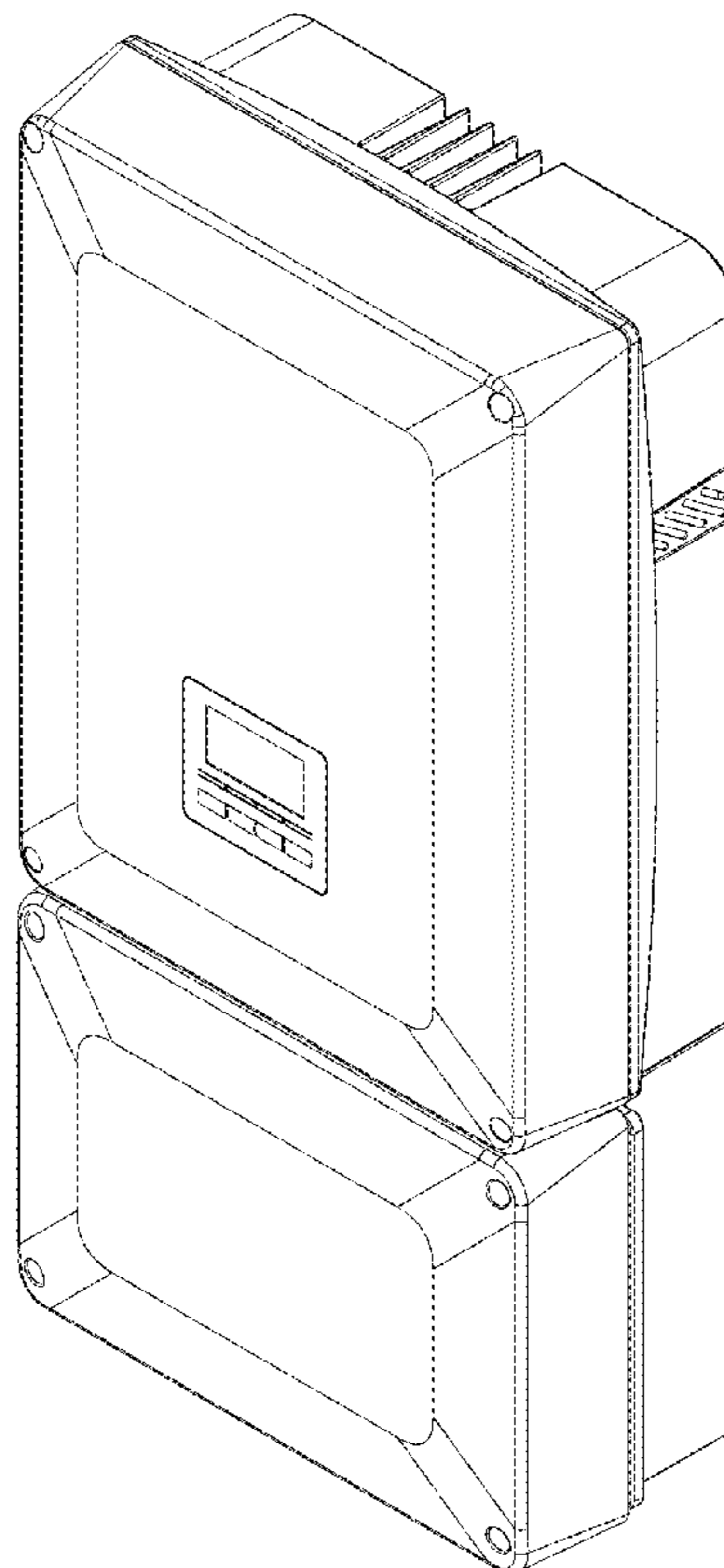
(57) **CLAIM**

We claim, the ornamental design for a photovoltaic inverter,
as shown and described.

DESCRIPTION

FIG. 1 is a front perspective view of a photovoltaic inverter
showing our new design;
FIG. 2 is a front elevation view thereof;
FIG. 3 is a right side elevation view thereof;
FIG. 4 is a top plan view thereof;
FIG. 5 is a rear elevation view thereof;
FIG. 6 is a left side elevation view thereof;
FIG. 7 is a bottom plan view thereof; and,
FIG. 8 is a bottom perspective view thereof.

1 Claim, 8 Drawing Sheets



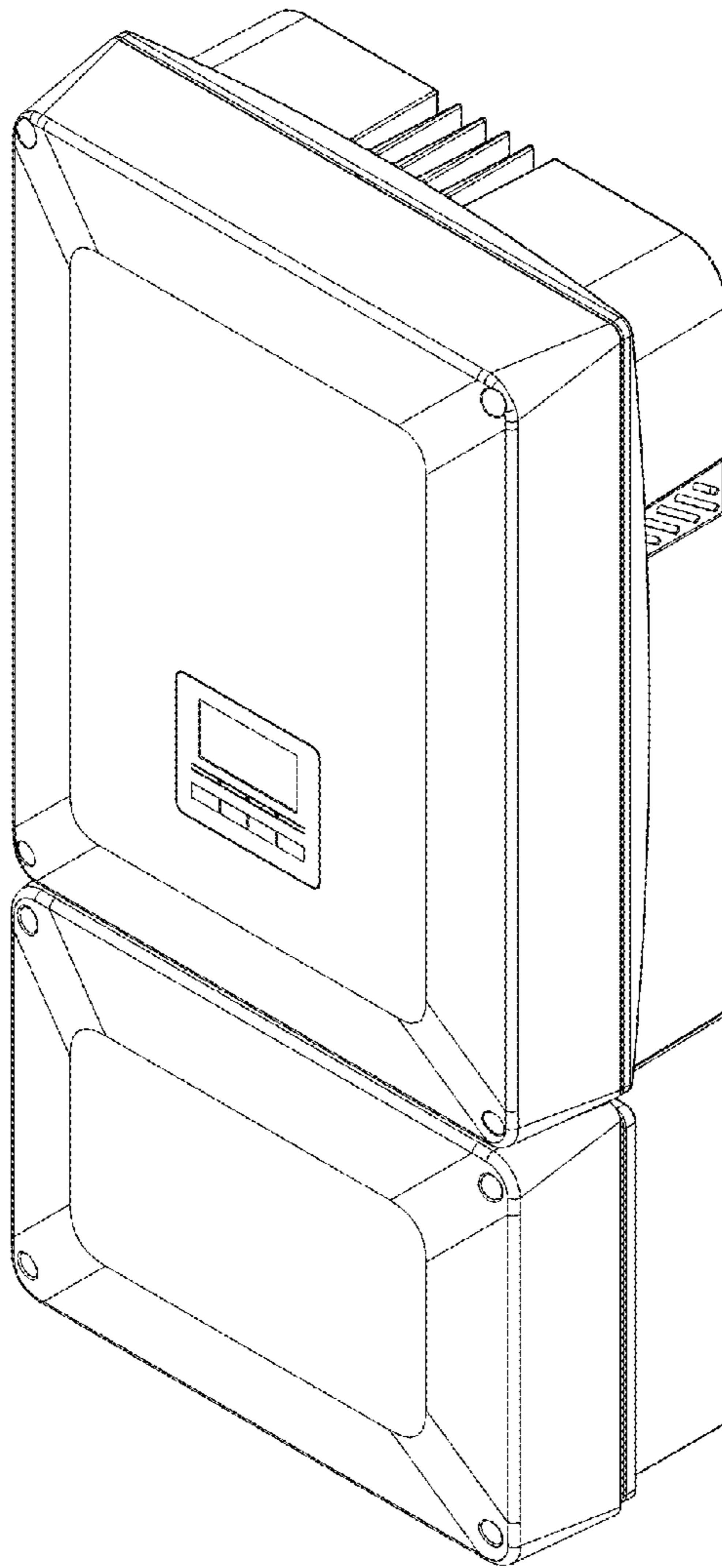


FIG. 1

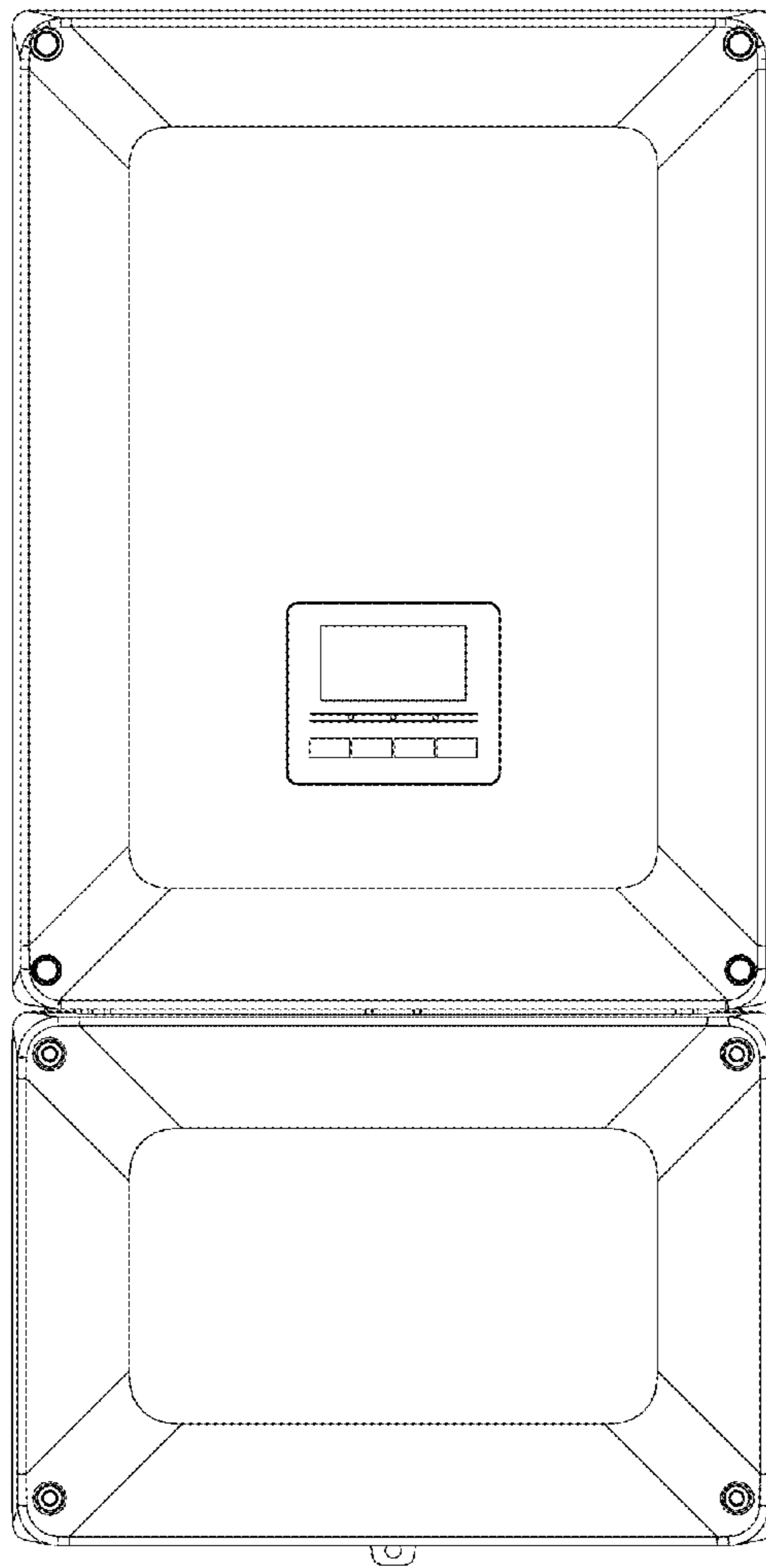


FIG. 2

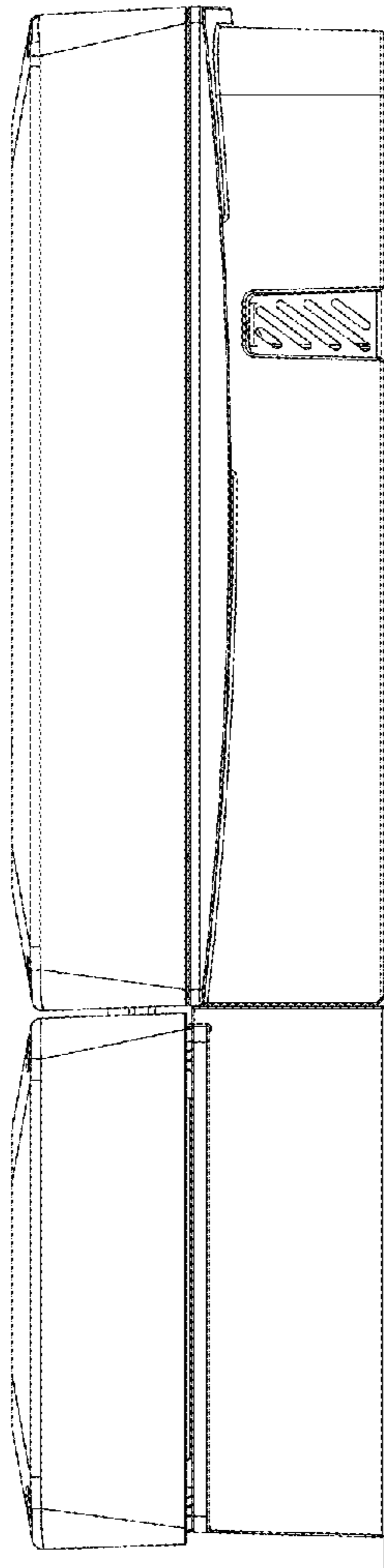


FIG. 3

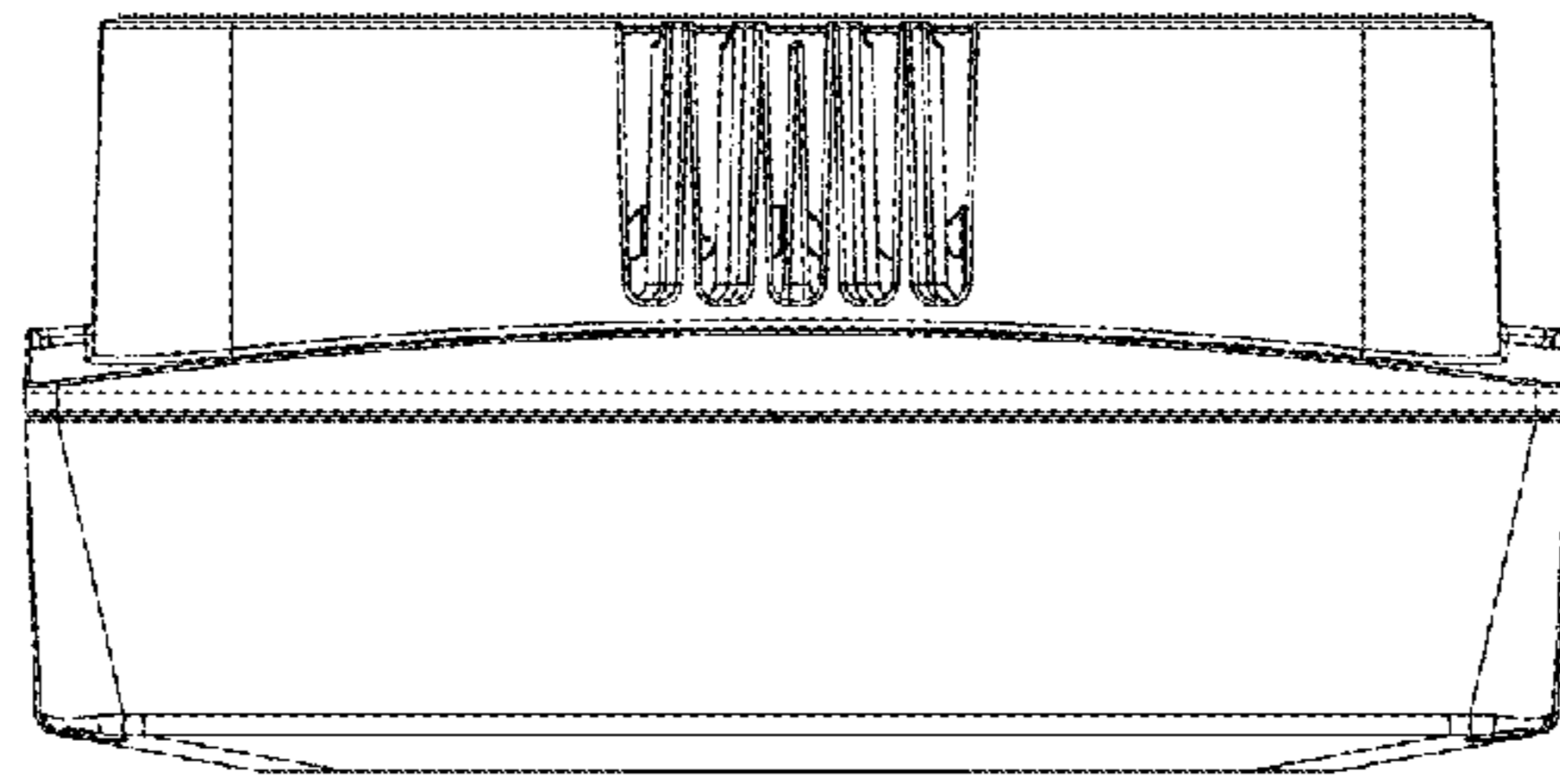


FIG. 4

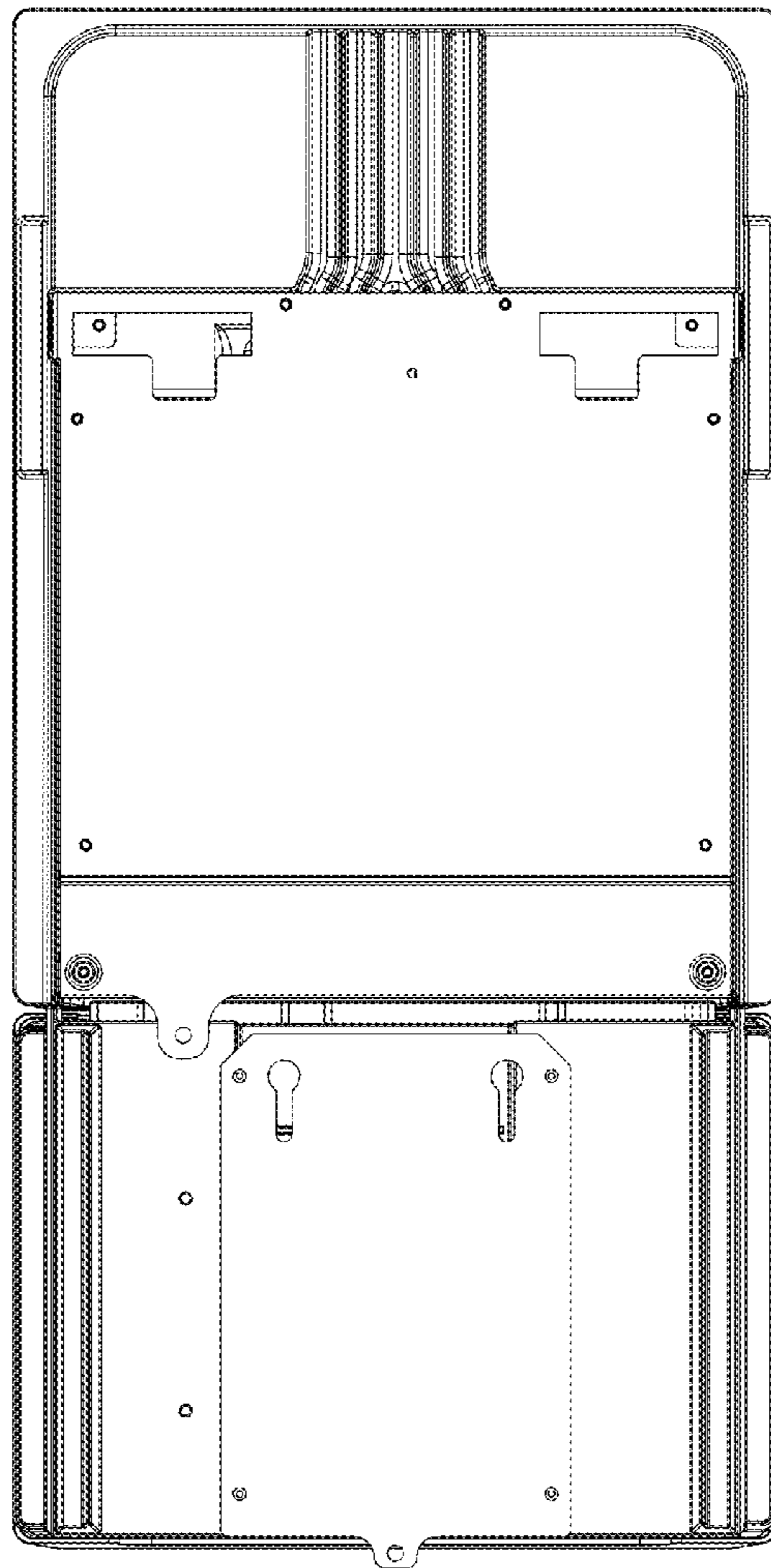


FIG. 5

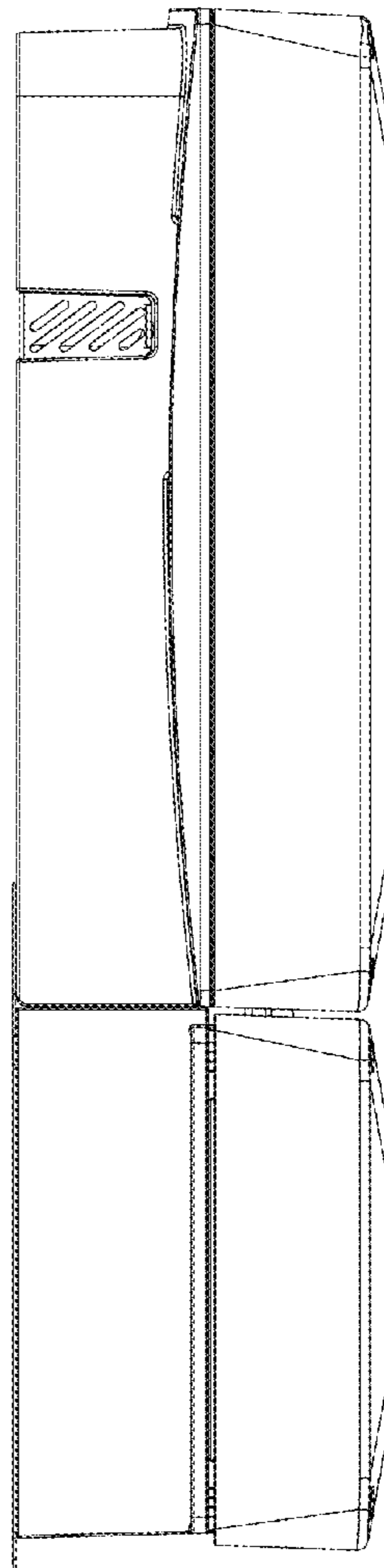


FIG. 6

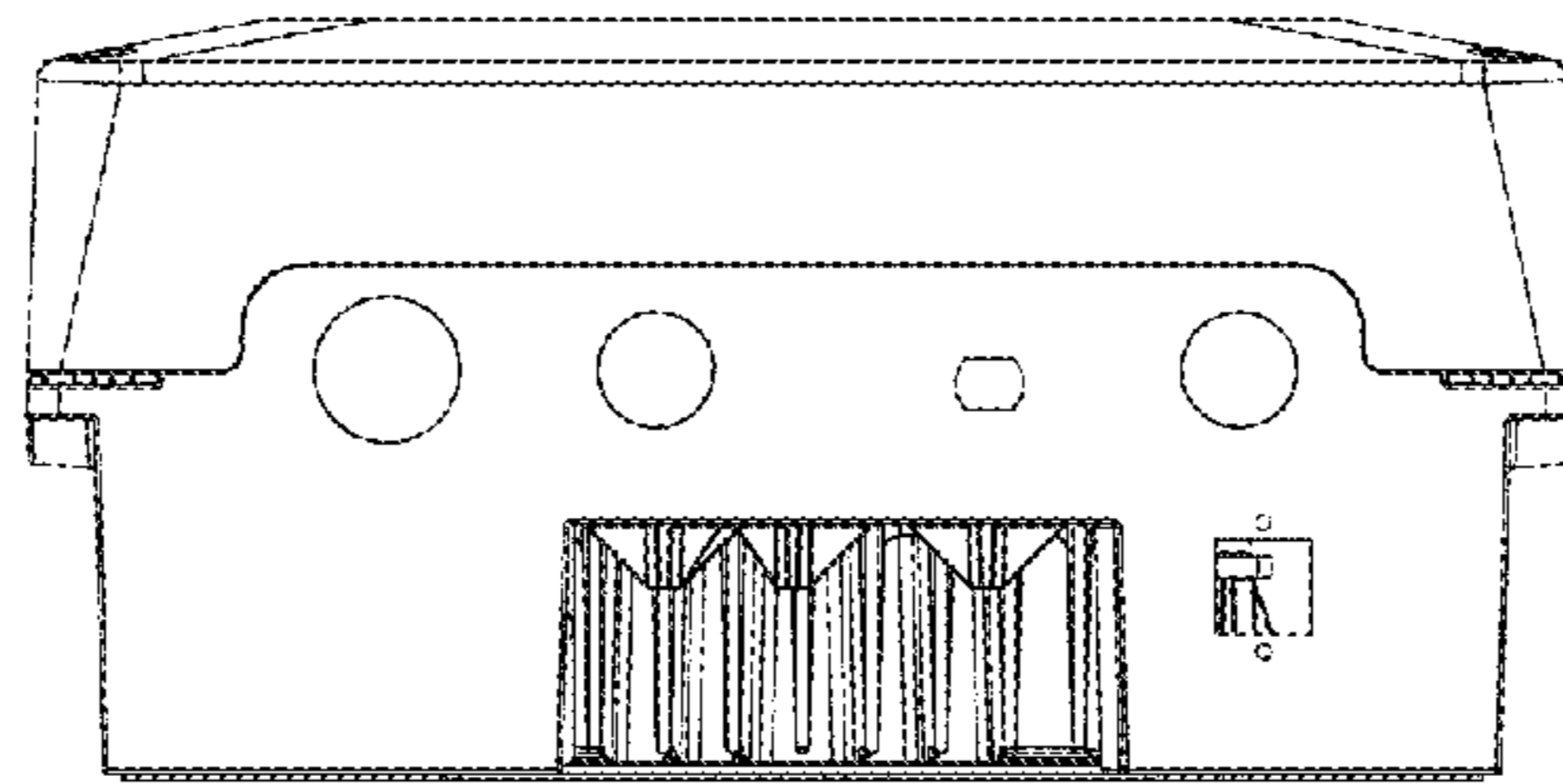


FIG. 7

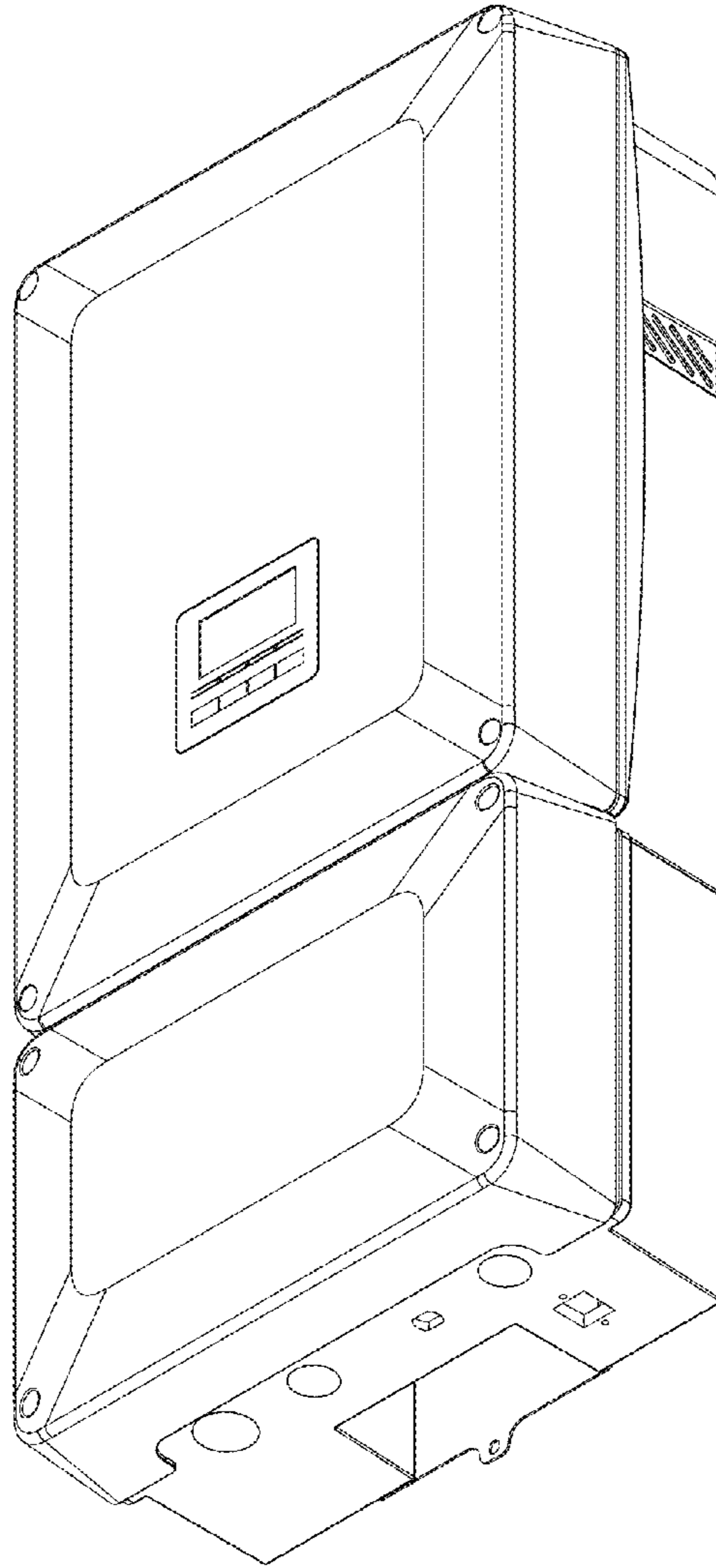


FIG. 8