

US00D669842S

(12) **United States Design Patent**  
**Buchinger-Barnstorf**

(10) **Patent No.:** **US D669,842 S**

(45) **Date of Patent:** **\*\* Oct. 30, 2012**

(54) **TIRE TREAD OF A VEHICLE TIRE**

(75) **Inventor:** **Thomas Buchinger-Barnstorf,**  
Wennigsen (DE)

(73) **Assignee:** **Continental Reifen Deutschland**  
**GmbH, Hanover (DE)**

(\*\*) **Term:** **14 Years**

(21) **Appl. No.:** **29/377,813**

(22) **Filed:** **Oct. 26, 2010**

(30) **Foreign Application Priority Data**

Apr. 27, 2010 (EM) ..... 001700451

(51) **LOC (9) Cl.** ..... **12-16**

(52) **U.S. Cl.** ..... **D12/590**

(58) **Field of Classification Search** ..... D12/568-603;  
152/209.1-209.28

See application file for complete search history.

(56) **References Cited**

U.S. PATENT DOCUMENTS

5,535,798 A \* 7/1996 Nakamura ..... 152/209.21  
7,980,280 B2 \* 7/2011 Ohara ..... 152/209.17  
2010/0078106 A1 \* 4/2010 Gaus ..... 152/209.21  
\* cited by examiner

*Primary Examiner* — George D Kirschbaum  
(74) *Attorney, Agent, or Firm* — Laurence A. Greenberg;  
Werner H. Stemer; Ralph E. Locher

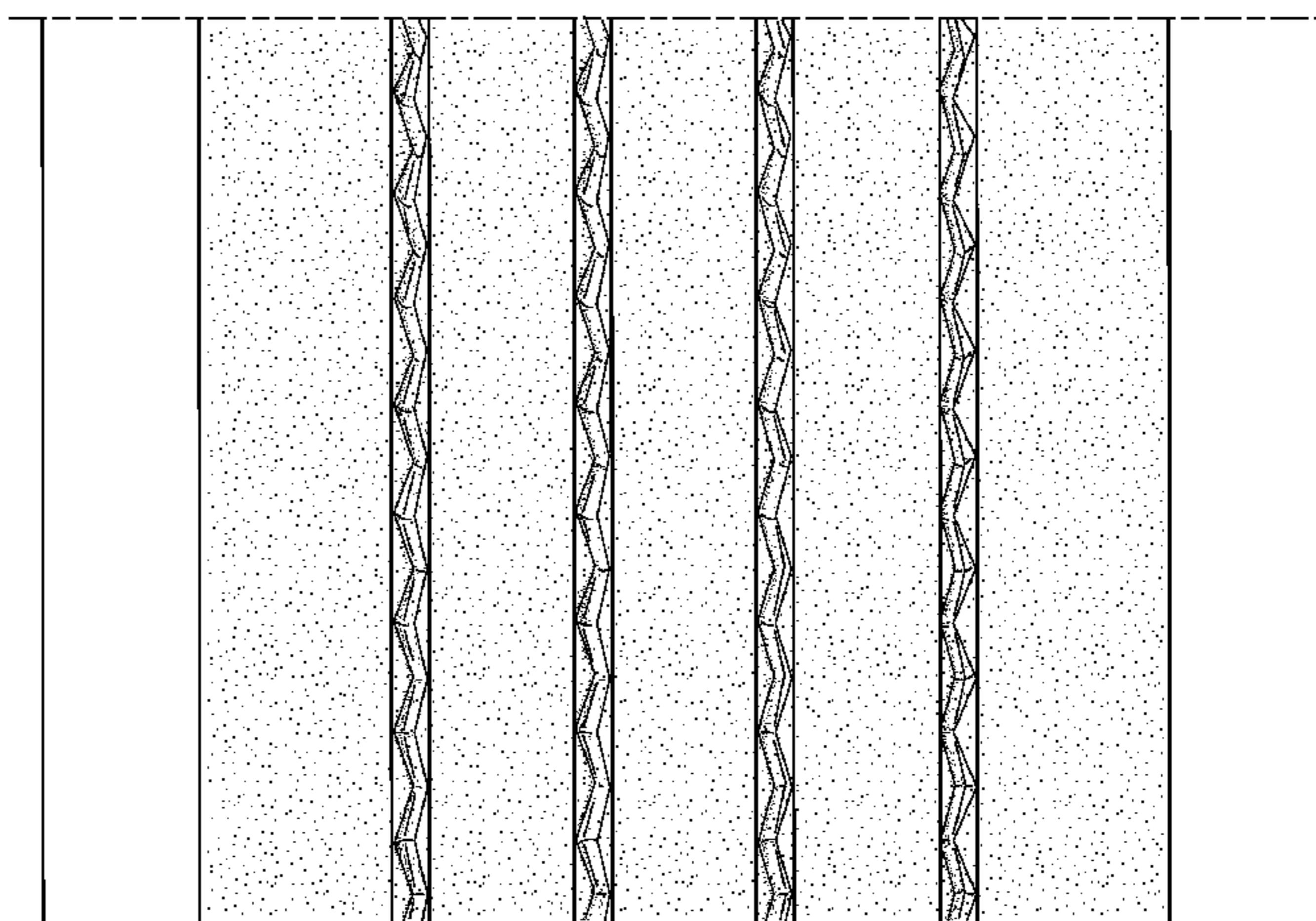
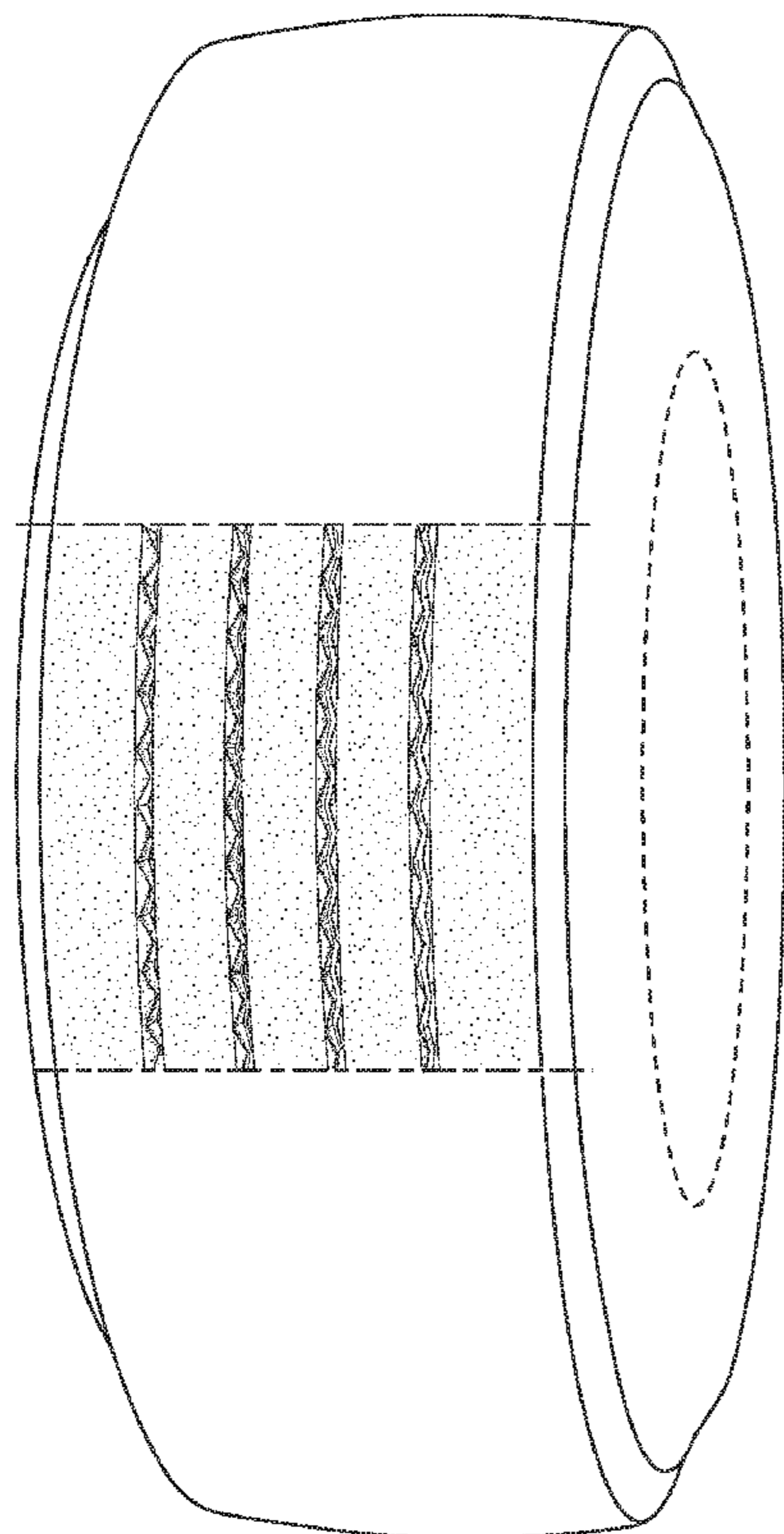
(57) **CLAIM**

The ornamental design for a tire tread of a vehicle tire, as shown and described.

**DESCRIPTION**

FIG. 1 is a perspective view of the tire tread of a vehicle tire, showing my new design; FIG. 2 is a front elevational view thereof; FIG. 3 is an enlarged partial front view thereof; and, FIG. 4 is a left side elevational view thereof with the right side elevational view identical to the left side view. While only portions of the tread design are shown, it should be understood that the tread covers the tire circumferentially in its entirety, as indicated by solid schematic lines.

**1 Claim, 4 Drawing Sheets**



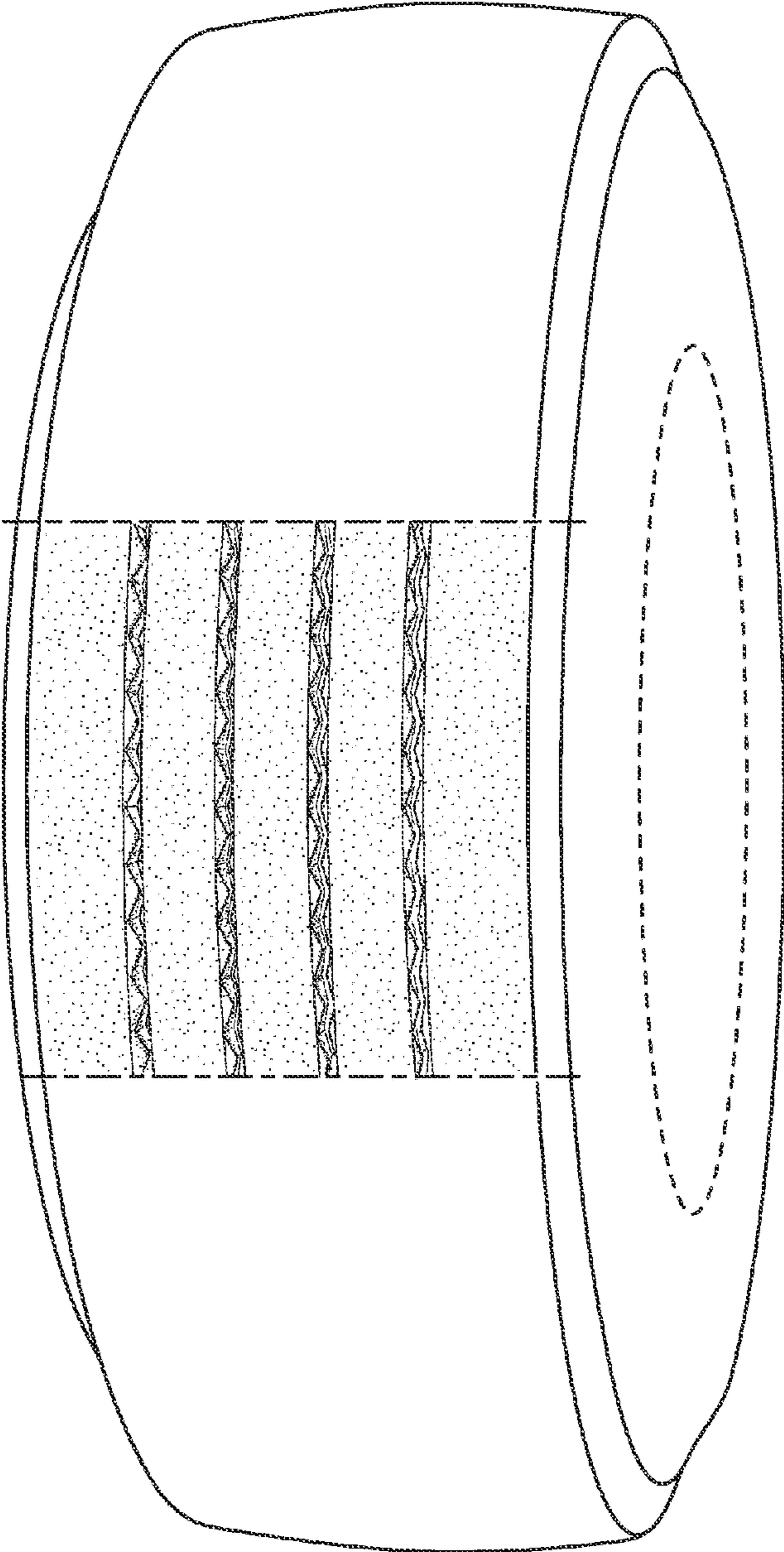


FIG. 1

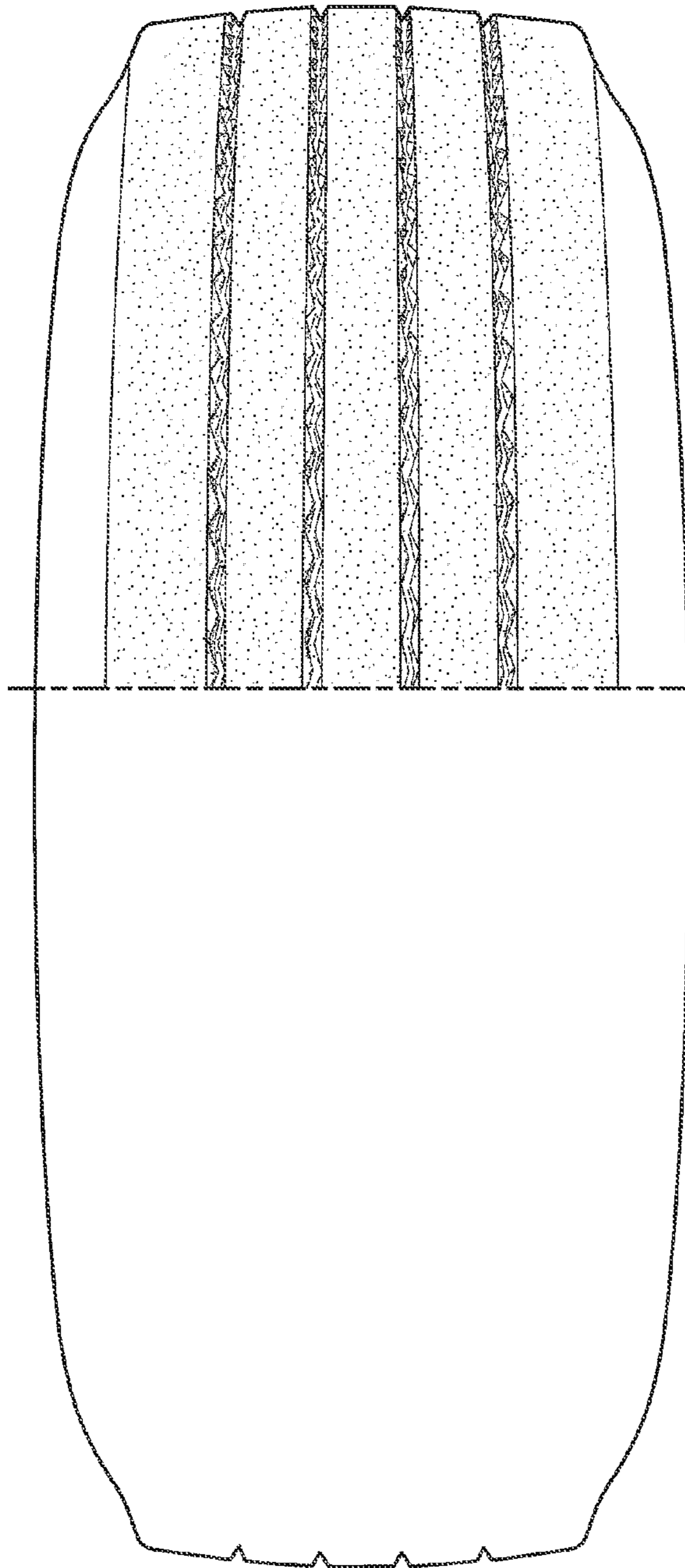


FIG. 2

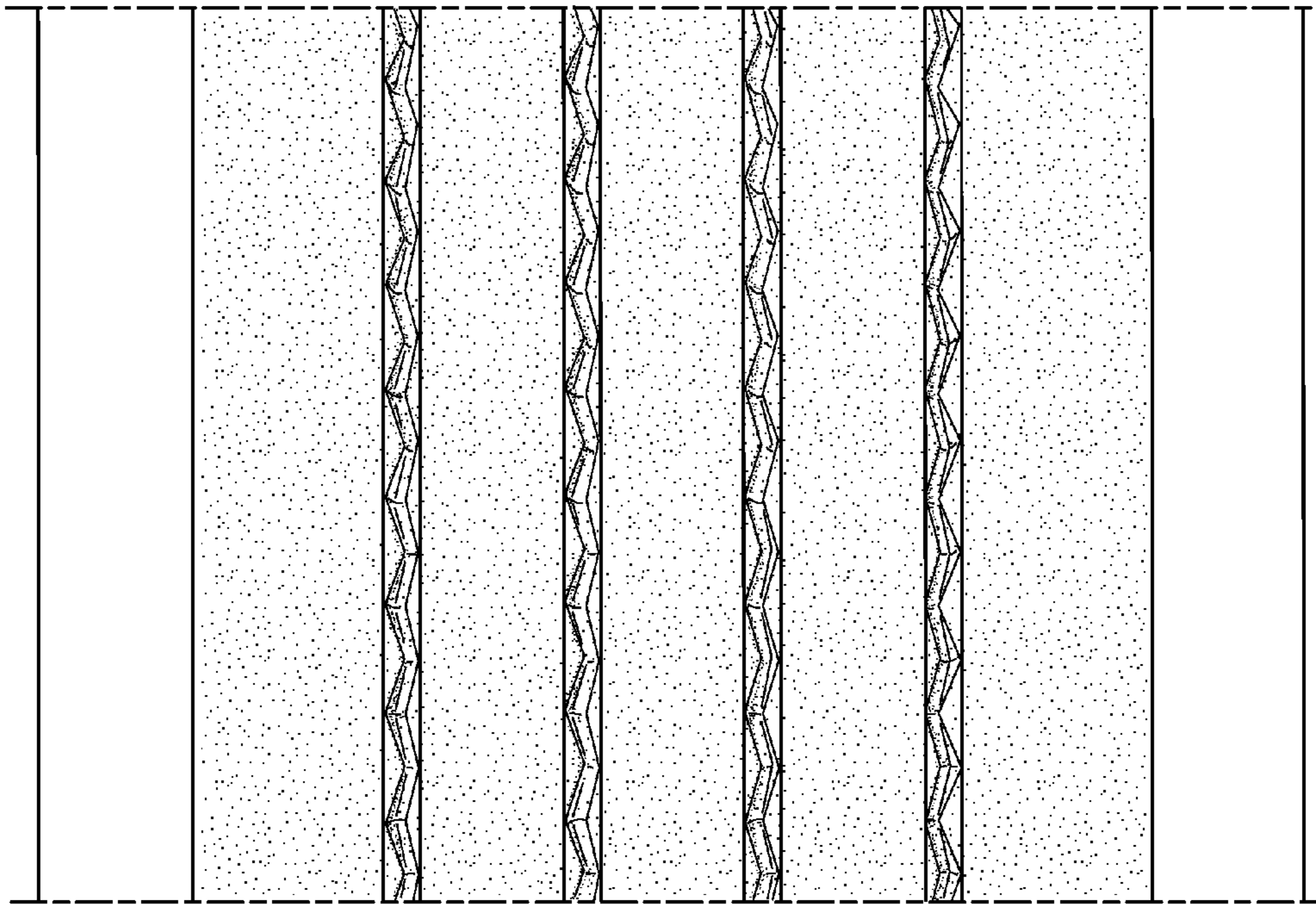


FIG. 3



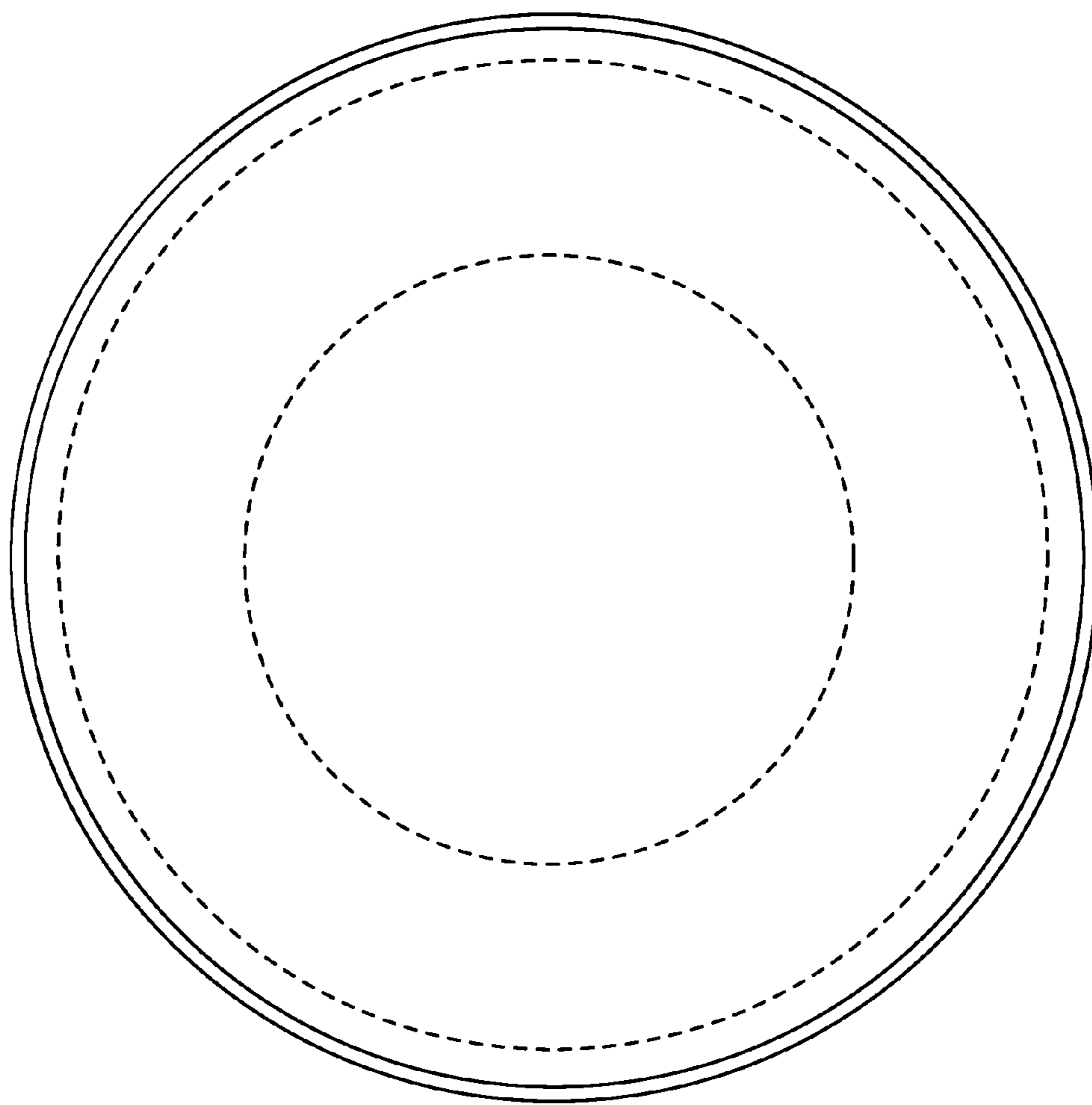


FIG. 4