



US00D669840S

(12) **United States Design Patent**
Gros

(10) **Patent No.:** **US D669,840 S**

(45) **Date of Patent:** **** Oct. 30, 2012**

(54) **CAB GUARD**

(76) Inventor: **Eugene W. Gros**, White City, OR (US)

(**) Term: **14 Years**

(21) Appl. No.: **29/406,850**

(22) Filed: **Nov. 18, 2011**

(51) **LOC (9) Cl.** **12-16**

(52) **U.S. Cl.** **D12/406**

(58) **Field of Classification Search** D12/401-402,
D12/412-414, 414.1, 406; 296/140; 224/309,
224/327, 328, 321, 402, 488, 493, 315; 280/814
See application file for complete search history.

(56) **References Cited**

U.S. PATENT DOCUMENTS

4,611,824	A	*	9/1986	McIntosh	280/748
5,258,893	A	*	11/1993	Finneyfrock	362/485
D494,921	S	*	8/2004	Taylor	D12/414
D553,553	S	*	10/2007	Taylor	D12/414
D561,086	S	*	2/2008	Lopez	D12/412
D633,856	S	*	3/2011	Kennedy et al.	D12/412
D644,591	S	*	9/2011	Andonian	D12/406

D647,025	S	*	10/2011	Kennedy et al.	D12/406
2003/0011180	A1	*	1/2003	Coffman et al.	280/748
2011/0108590	A1	*	5/2011	Kennedy et al.	224/402

* cited by examiner

Primary Examiner — Richard E Chilcot

Assistant Examiner — Katrina A Betton

(74) *Attorney, Agent, or Firm* — QuickPatents, Inc.; Kevin Prince

(57) **CLAIM**

I claim the ornamental design for a cab guard, as shown and described.

DESCRIPTION

FIG. 1 is a perspective view of a cab guard, showing my new design;

FIG. 2 is a rear elevational view thereof;

FIG. 3 is a front elevational view thereof;

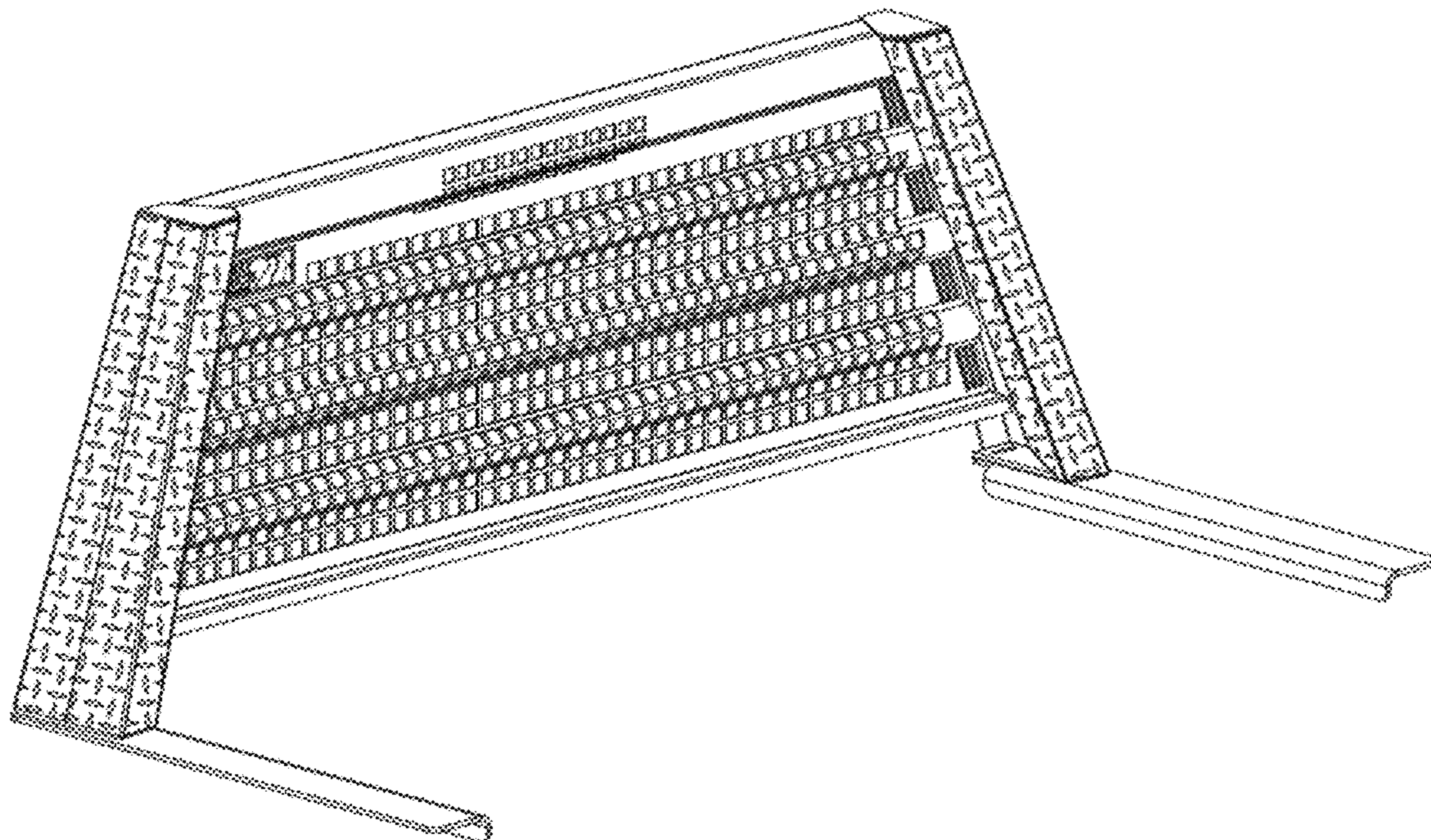
FIG. 4 is a left-side elevational view thereof, the right-side elevational view being a mirror image thereof;

FIG. 5 is a bottom plan view thereof; and,

FIG. 6 is a top plan view thereof.

The broken lines in FIGS. 1 and 3 depict a logo and form no part of the claimed design.

1 Claim, 4 Drawing Sheets



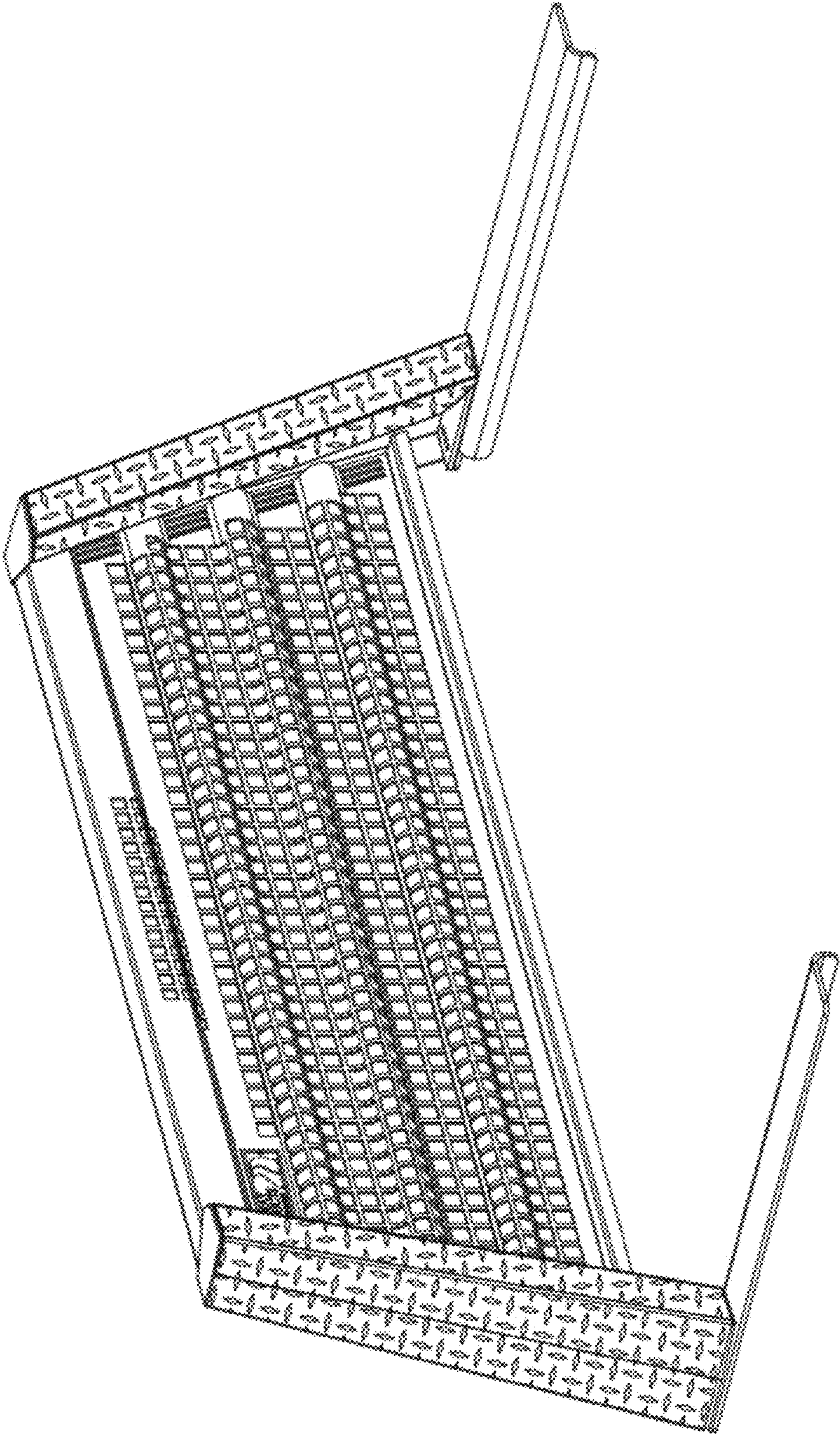


FIG. 1

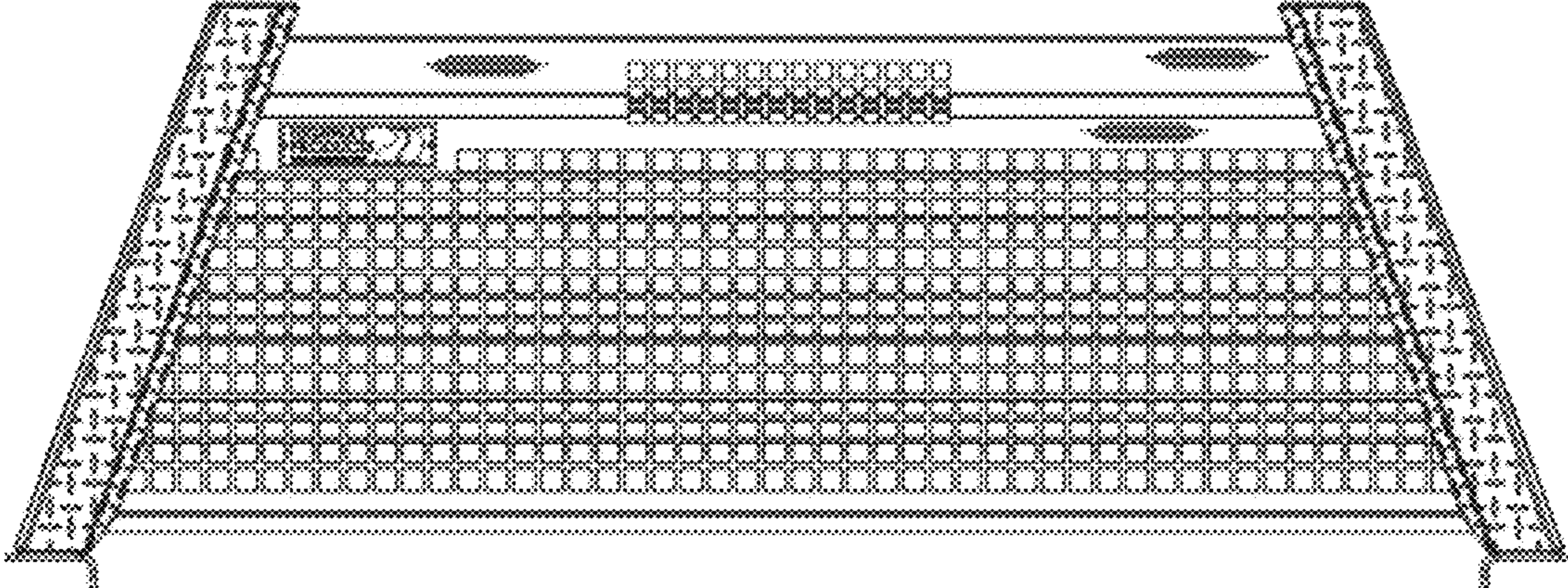


FIG. 2

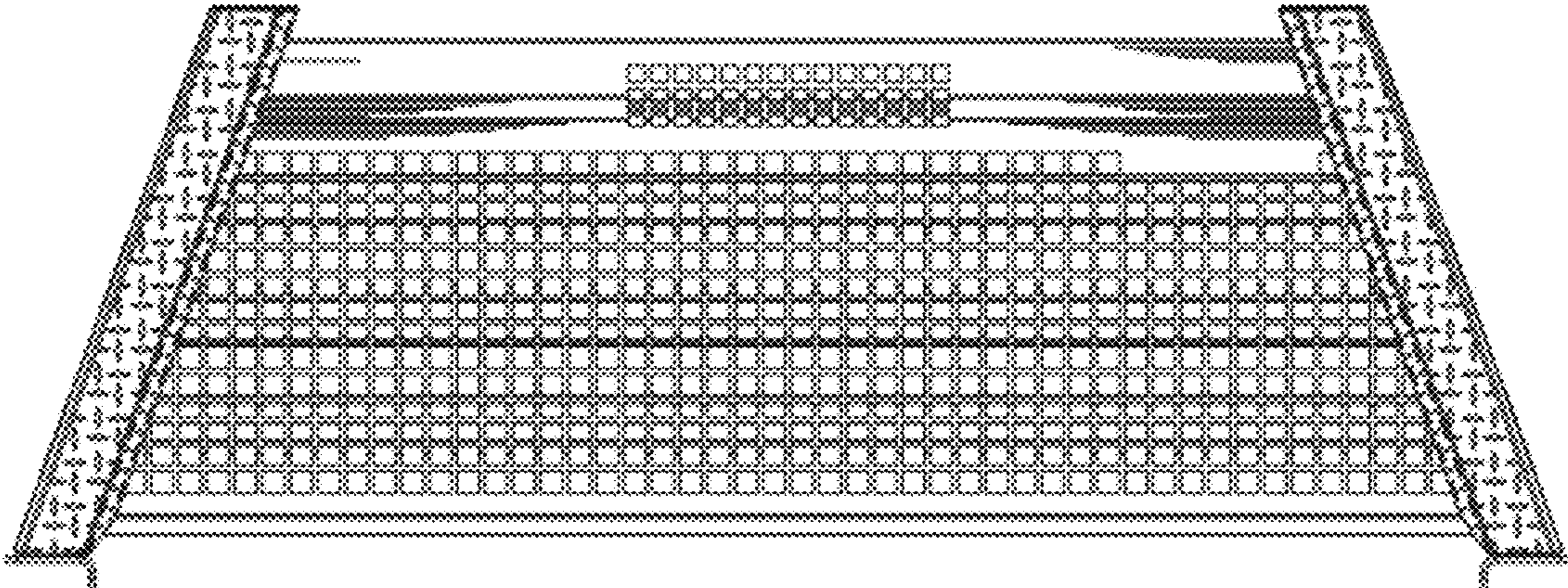


FIG. 3

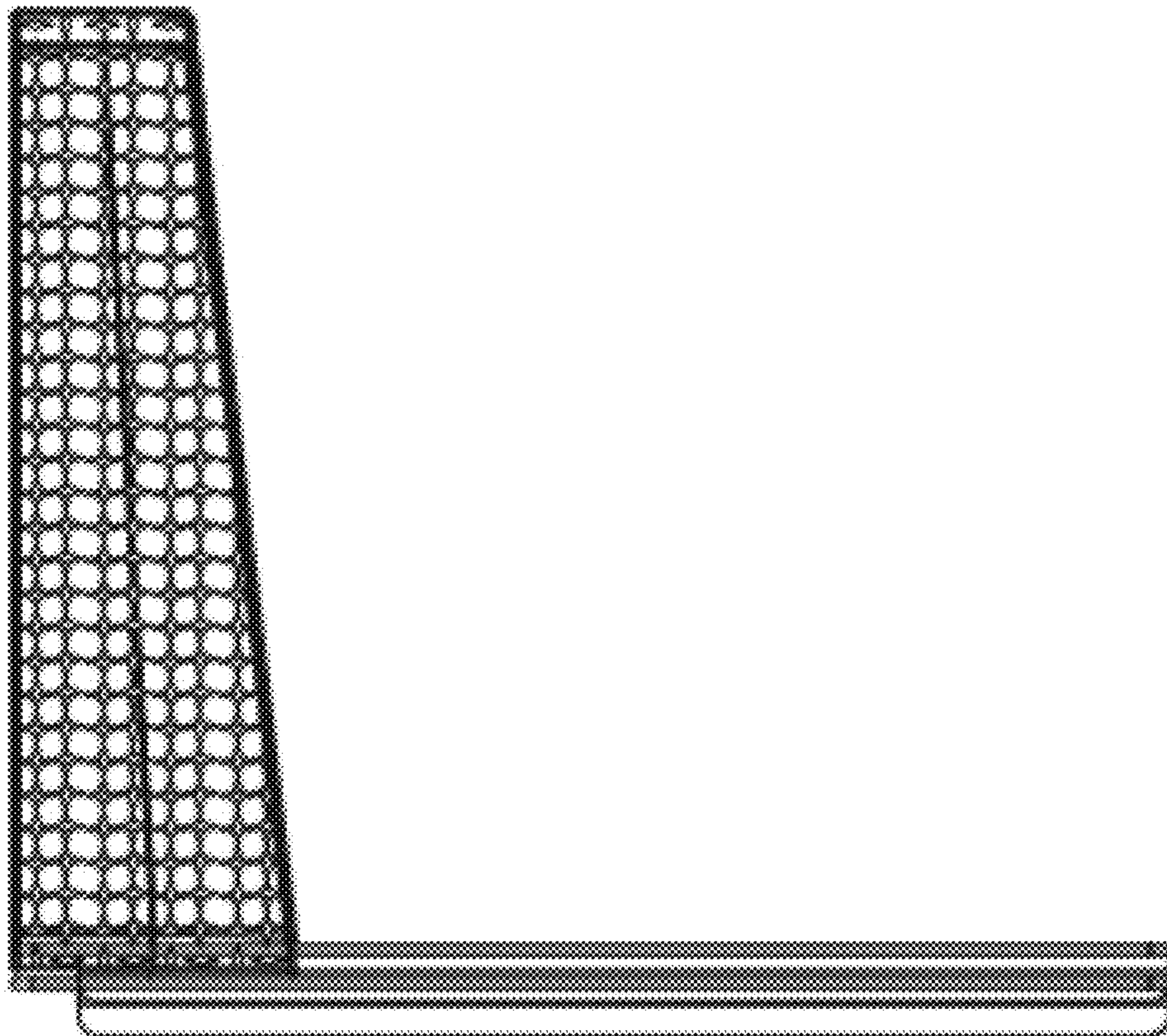


FIG. 4

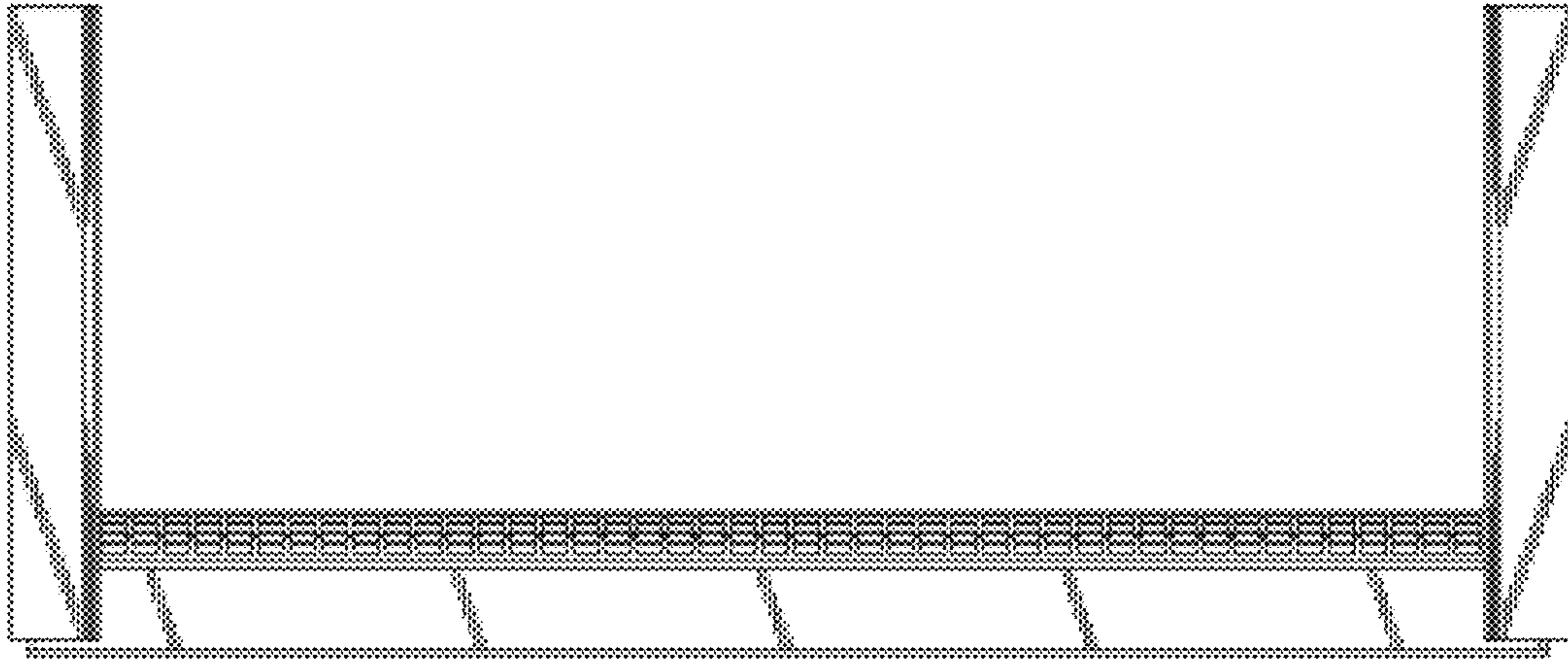


FIG. 5

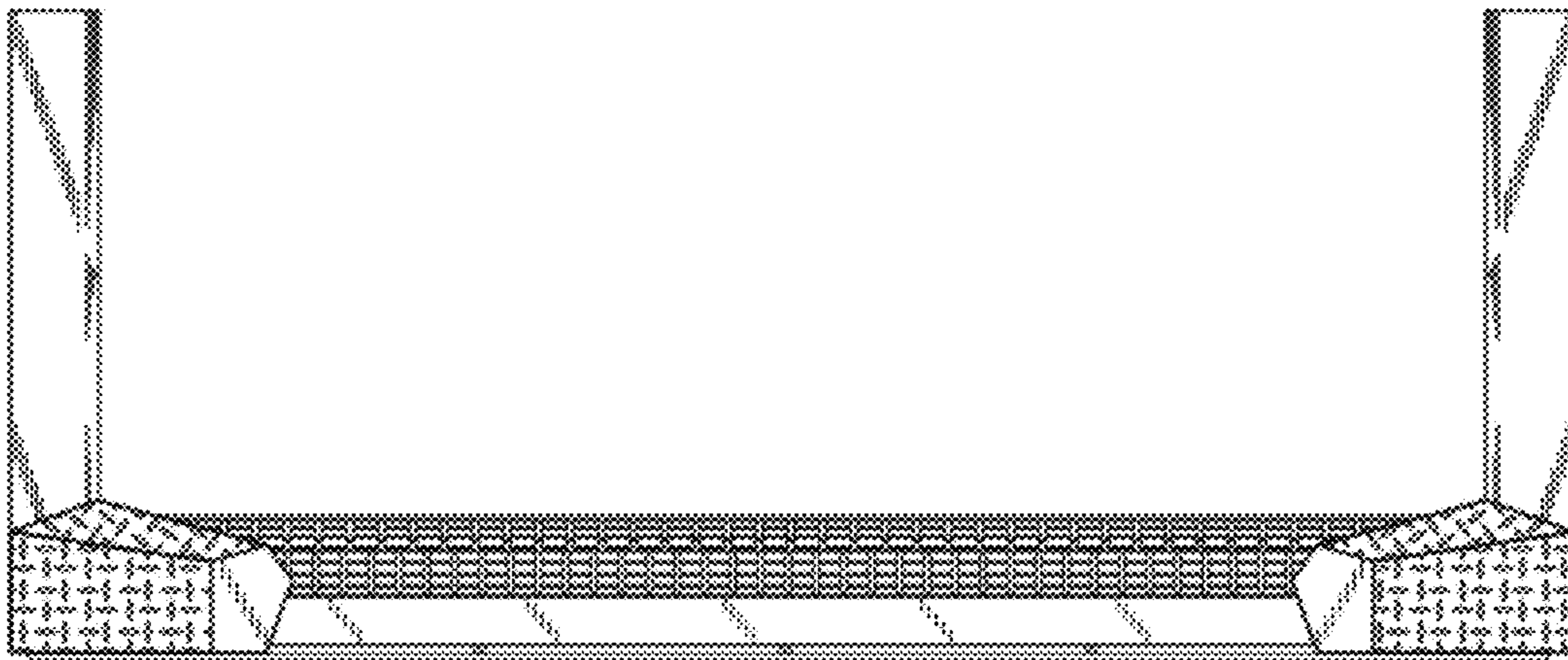


FIG. 6