

US00D669837S

(12) **United States Design Patent**  
**Jimenez et al.**

(10) **Patent No.:** **US D669,837 S**  
(45) **Date of Patent:** **\*\* Oct. 30, 2012**

- (54) **SAFETY STRIP AND MOUNT**
- (75) Inventors: **Jorge Jimenez**, Downers Grove, IL (US); **Nick Scholtes**, Shorewood, IL (US); **Robert C. Signagio**, Lemont, IL (US)
- (73) Assignee: **Control Solutions LLC**, Aurora, IL (US)
- (\*\*) Term: **14 Years**

4,766,651 A	8/1988	Kobayashi et al.	
4,805,856 A	2/1989	Nicoli et al.	
D305,977 S	2/1990	Ono	
D316,535 S *	4/1991	Fenn .....	D12/400
5,330,140 A	7/1994	Cseri	
5,332,179 A	7/1994	Kuffel et al.	
5,362,018 A	11/1994	Darr et al.	
D363,122 S *	10/1995	Uetake .....	D24/143
D384,029 S *	9/1997	Knott .....	D12/400
D384,323 S *	9/1997	Naito et al. ....	D12/400
5,725,185 A	3/1998	Auclair	
D399,725 S *	10/1998	Baker .....	D8/354
6,079,674 A	6/2000	Snyder	

(Continued)

- (21) Appl. No.: **29/365,223**
- (22) Filed: **Jul. 6, 2010**

**Related U.S. Application Data**

- (63) Continuation of application No. 29/339,362, filed on Jun. 29, 2009, now Pat. No. Des. 621,338.
  - (51) **LOC (9) Cl.** ..... **12-16**
  - (52) **U.S. Cl.** ..... **D12/400**
  - (58) **Field of Classification Search** ..... D12/219-220, D12/190, 400; 15/246, 247, 250.01, 250.4, 15/250.361, 250.19, 250.48, 250.03, 250.31-250.33, 15/250.351, 250.38, 250.201, 250.451, 250.458, 15/250.04, 250.07, 250.44
- See application file for complete search history.

**References Cited**

**U.S. PATENT DOCUMENTS**

1,313,191 A	8/1919	Karitzky	
1,808,328 A	6/1931	Thomson	
2,859,048 A *	11/1958	Munn .....	280/733
D184,631 S *	3/1959	Mathews .....	D12/400
3,154,275 A	10/1964	Stewart	
3,454,249 A	7/1969	Geisinger	
3,581,349 A	6/1971	Verspieren	
3,632,070 A	1/1972	Thayer	
3,913,876 A	10/1975	McSherry	
3,971,105 A	7/1976	Caveney	
D250,876 S	1/1979	Lindblom	
4,397,435 A	8/1983	Fisher et al.	
D297,465 S *	8/1988	Nally et al. ....	D25/119

**OTHER PUBLICATIONS**

U.S. Appl. No. 29/335,224, filed Apr. 10, 2009.

(Continued)

*Primary Examiner* — Richard E Chilcot  
*Assistant Examiner* — Katrina A Betton  
 (74) *Attorney, Agent, or Firm* — Edwards Wildman Palmer LLP

(57) **CLAIM**

The ornamental design for a safety strip and mount, as shown and described above.

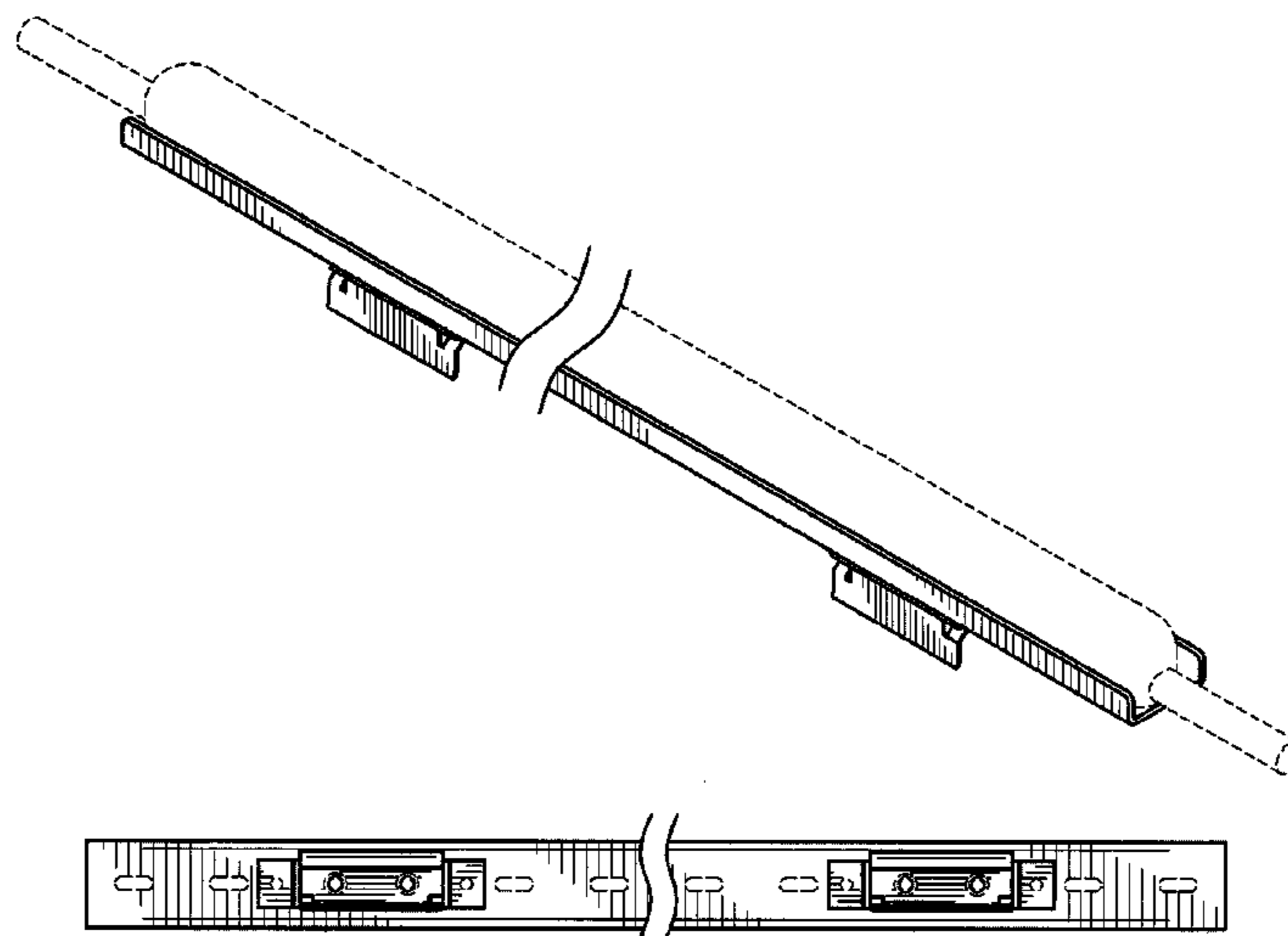
**DESCRIPTION**

FIG. 1 is a perspective view of a safety strip;  
 FIG. 2 is a side elevational view thereof;  
 FIG. 3 is a front elevational view thereof;  
 FIG. 4 is a side elevational view thereof;  
 FIG. 5 is a rear elevational view thereof; and,  
 FIG. 6 is a left side elevational view thereof, the right side view being a mirror image.

The break in the FIGS. 1, 2, 3, 4, 5 and 6 drawings show indeterminate length. has been inserted into the specification preceding the broken line description.

In the drawings, the broken lines in FIG. 1 show portions of a safety strip that form no part of the claimed design.

**1 Claim, 2 Drawing Sheets**



# US D669,837 S

Page 2

## U.S. PATENT DOCUMENTS

D428,285 S \* 7/2000 Hughes et al. .... D6/510  
6,129,317 A 10/2000 Rodrigues et al.  
6,149,109 A 11/2000 Stankowski  
D470,689 S \* 2/2003 High ..... D6/492  
D478,271 S \* 8/2003 McCoy et al. .... D8/376  
D520,498 S \* 5/2006 Lin et al. .... D14/230  
7,083,152 B2 8/2006 Carullo et al.  
7,150,437 B1 12/2006 Teeters  
D541,623 S \* 5/2007 Hord et al ..... D8/323  
7,221,832 B2 5/2007 Tinucci  
7,306,755 B2 12/2007 Morello  
7,440,669 B2 10/2008 Tinucci

D587,762 S \* 3/2009 Zeyfang ..... D20/42  
D617,255 S \* 6/2010 Tezak et al. .... D12/400  
D628,409 S \* 12/2010 Anzai ..... D6/491  
D647,833 S \* 11/2011 Matei et al. .... D12/190  
D650,320 S \* 12/2011 Maruyama ..... D12/400  
2008/0098571 A1 5/2008 Morris

## OTHER PUBLICATIONS

U.S. Appl. No. 29/335,227, filed Apr. 10, 2009.  
U.S. Appl. No. 29/335,226, filed Apr. 10, 2009.  
U.S. Appl. No. 29/335,225, filed Apr. 10, 2009.

\* cited by examiner

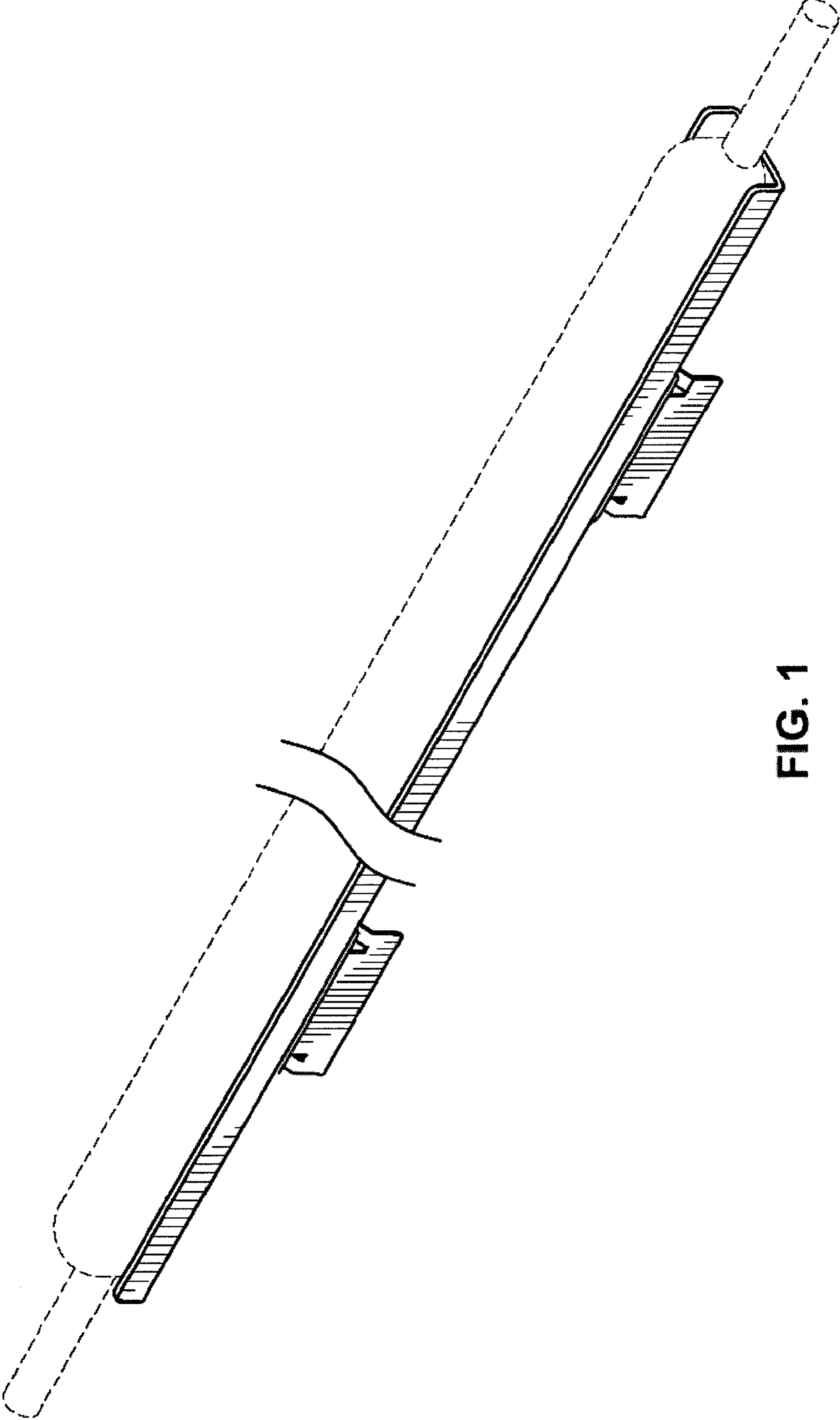


FIG. 1

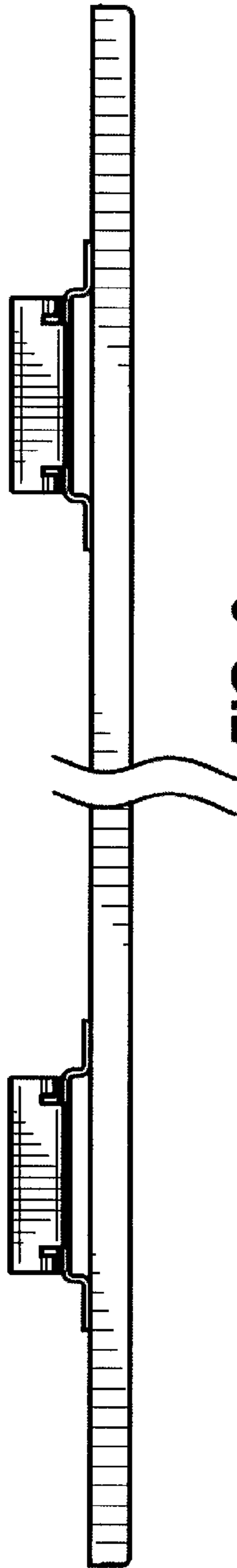


FIG. 2

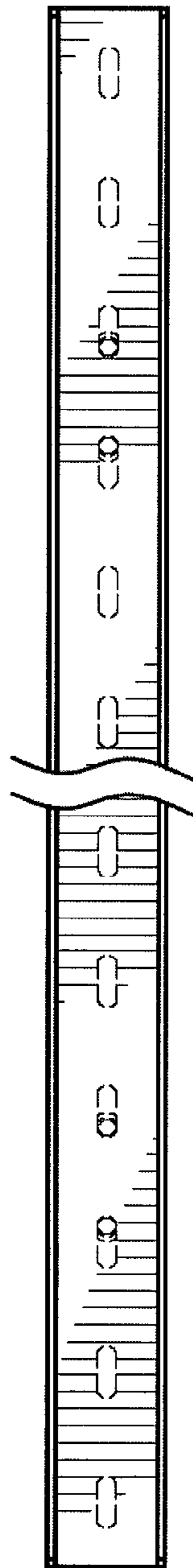


FIG. 3

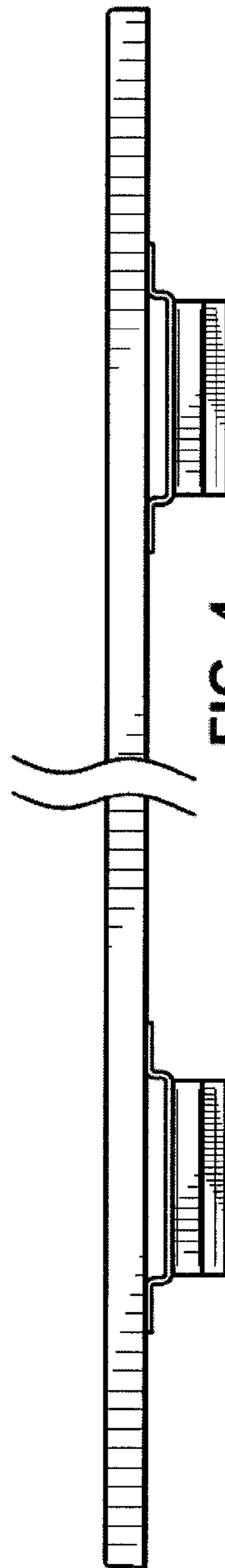


FIG. 4

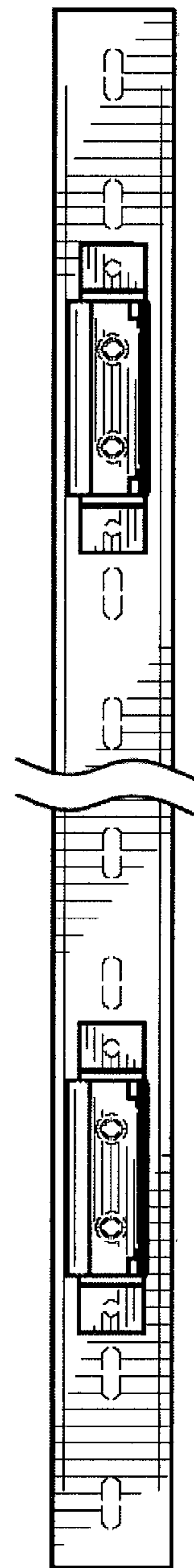


FIG. 5

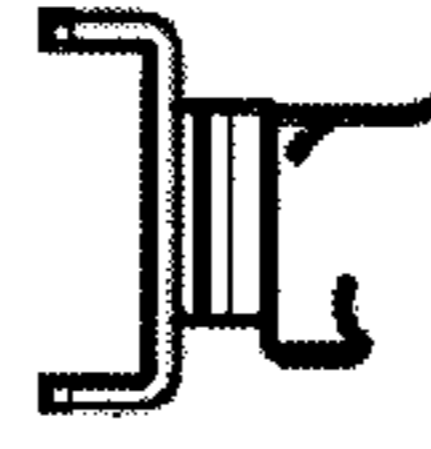


FIG. 6