



US00D669835S

(12) **United States Design Patent**
Gros

(10) **Patent No.:** **US D669,835 S**

(45) **Date of Patent:** **** Oct. 30, 2012**

(54) **WAKEBOARD TOWER**

(76) **Inventor:** **Charles P. Gros, White City, OR (US)**

(**) **Term:** **14 Years**

(21) **Appl. No.:** **29/414,195**

(22) **Filed:** **Feb. 25, 2012**

(51) **LOC (9) Cl.** **12-06**

(52) **U.S. Cl.** **D12/317**

(58) **Field of Classification Search** D12/300,
D12/301, 310-314, 317, 318, 114, 406; 114/247,
114/249, 250, 253, 254, 343, 361, 364; D8/349,
D8/354, 382

See application file for complete search history.

(56) **References Cited**

U.S. PATENT DOCUMENTS

5,052,326	A *	10/1991	Wiggen et al.	114/343
5,669,325	A *	9/1997	Feikema	114/343
D474,144	S *	5/2003	Zsido	D12/300
D486,441	S *	2/2004	Metcalf	D12/317
D489,314	S *	5/2004	Metcalf	D12/317
6,792,888	B1 *	9/2004	Metcalf	114/364
6,854,413	B2 *	2/2005	Jackson et al.	114/343
6,997,131	B2 *	2/2006	Jackson et al.	114/253
7,219,617	B2 *	5/2007	Metcalf	114/364
D551,154	S *	9/2007	Metcalf	D12/317

7,392,758	B2 *	7/2008	Metcalf	114/361
D658,566	S *	5/2012	Gros	D12/406
2004/0011276	A1 *	1/2004	Jackson et al.	114/353

* cited by examiner

Primary Examiner — Cynthia M Chin

(74) *Attorney, Agent, or Firm* — QuickPatents, Inc.; Kevin Prince

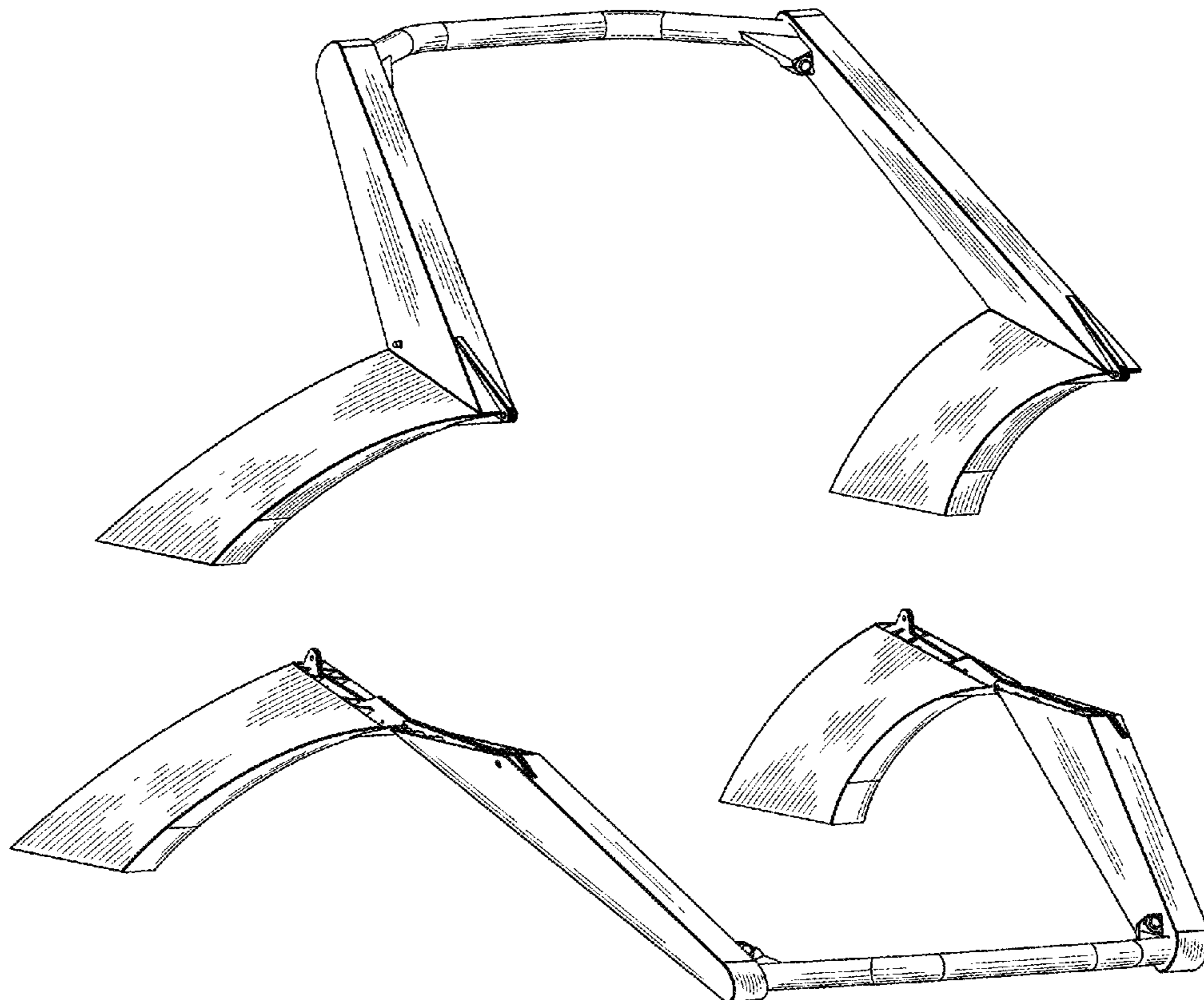
(57) **CLAIM**

I claim the ornamental design for a wakeboard tower, as shown and described.

DESCRIPTION

FIG. 1 is a perspective view of a wakeboard tower, showing my new design in a deployed configuration; FIG. 2 is a front elevational view of FIG. 1; FIG. 3 is a rear elevational view of FIG. 1; FIG. 4 is a right-side elevational view of FIG. 1, the left-side elevational view being a mirror image thereof; FIG. 5 is a top plan view of FIG. 1; FIG. 6 is a bottom plan view of FIG. 1; FIG. 7 is a perspective view thereof in a retracted configuration; and FIG. 8 is a front elevational view of FIG. 7; FIG. 9 is a rear elevational view of FIG. 7; FIG. 10 is a right-side elevational view of FIG. 7, the left-side elevational view being a mirror image thereof; FIG. 11 is a top plan view of FIG. 7; and, FIG. 12 is a bottom plan view of FIG. 7.

1 Claim, 6 Drawing Sheets



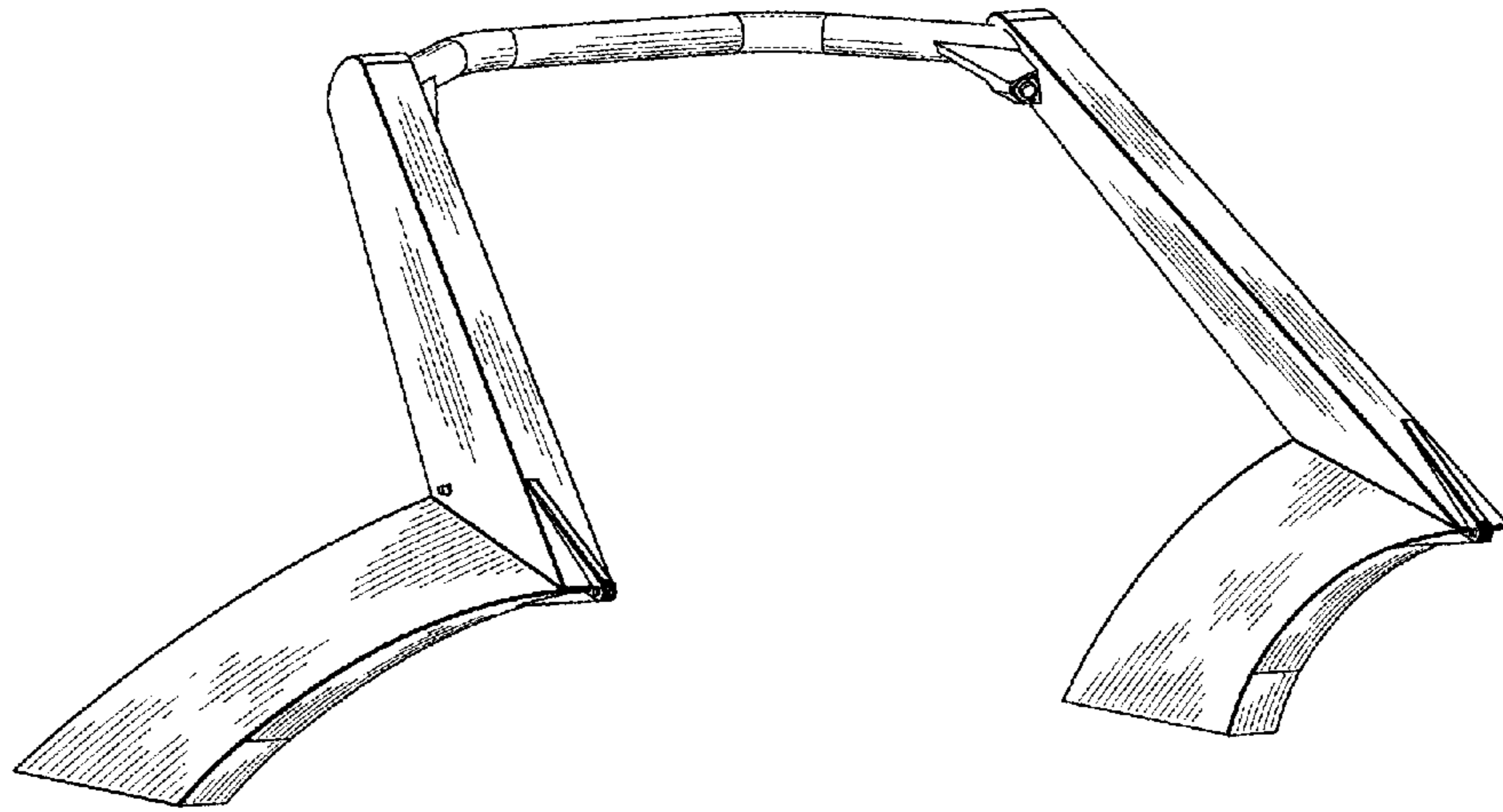


FIG. 1

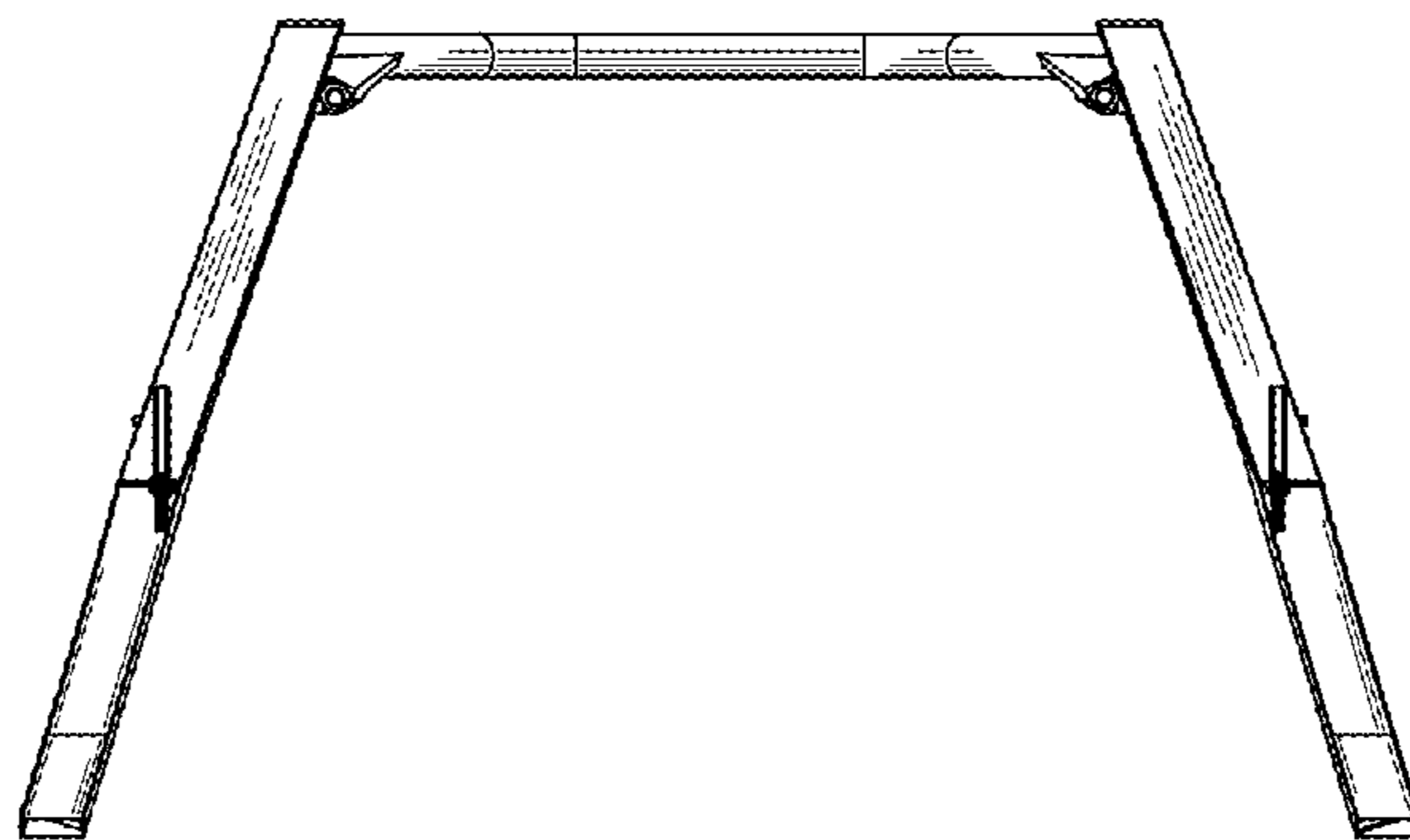


FIG. 2

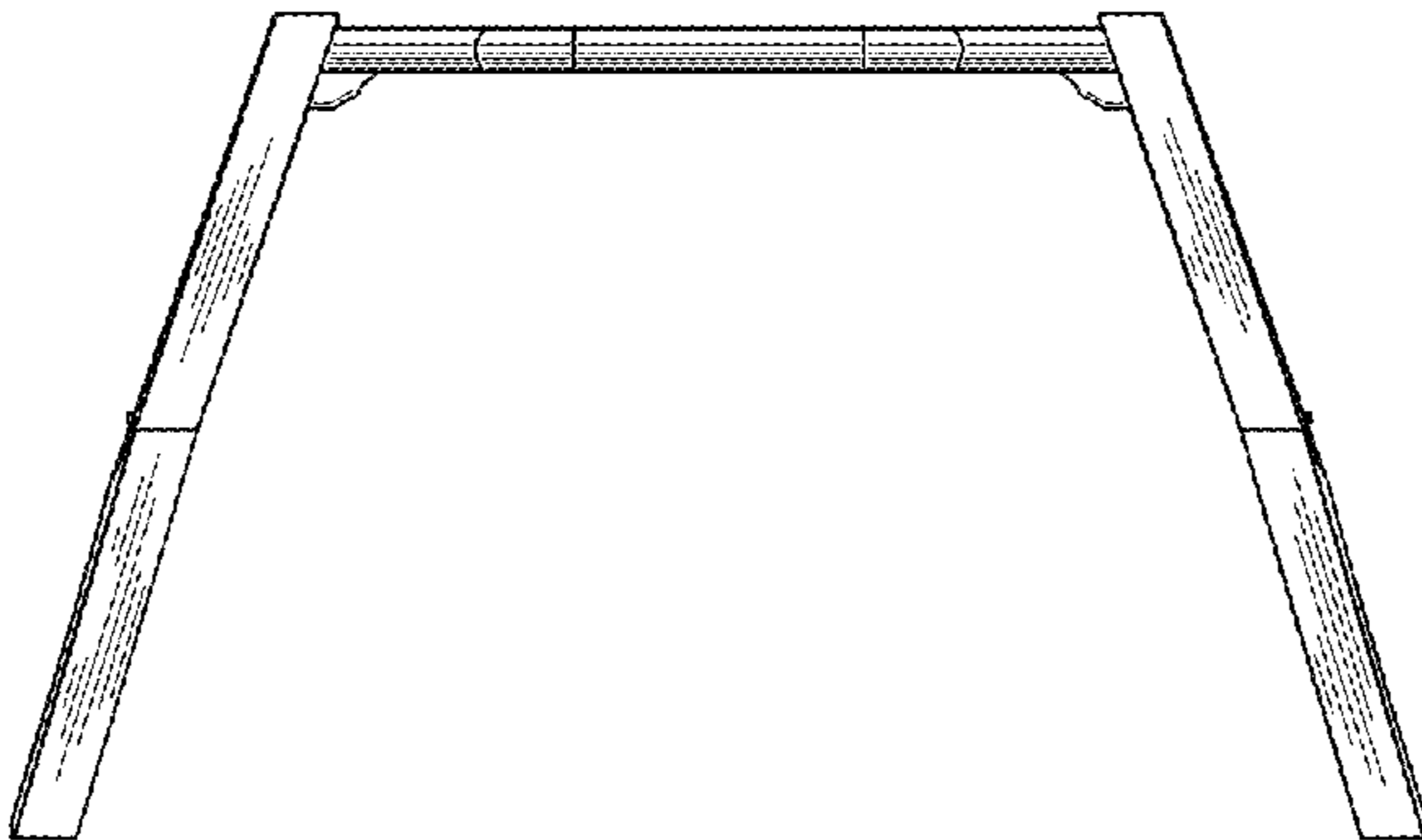


FIG. 3

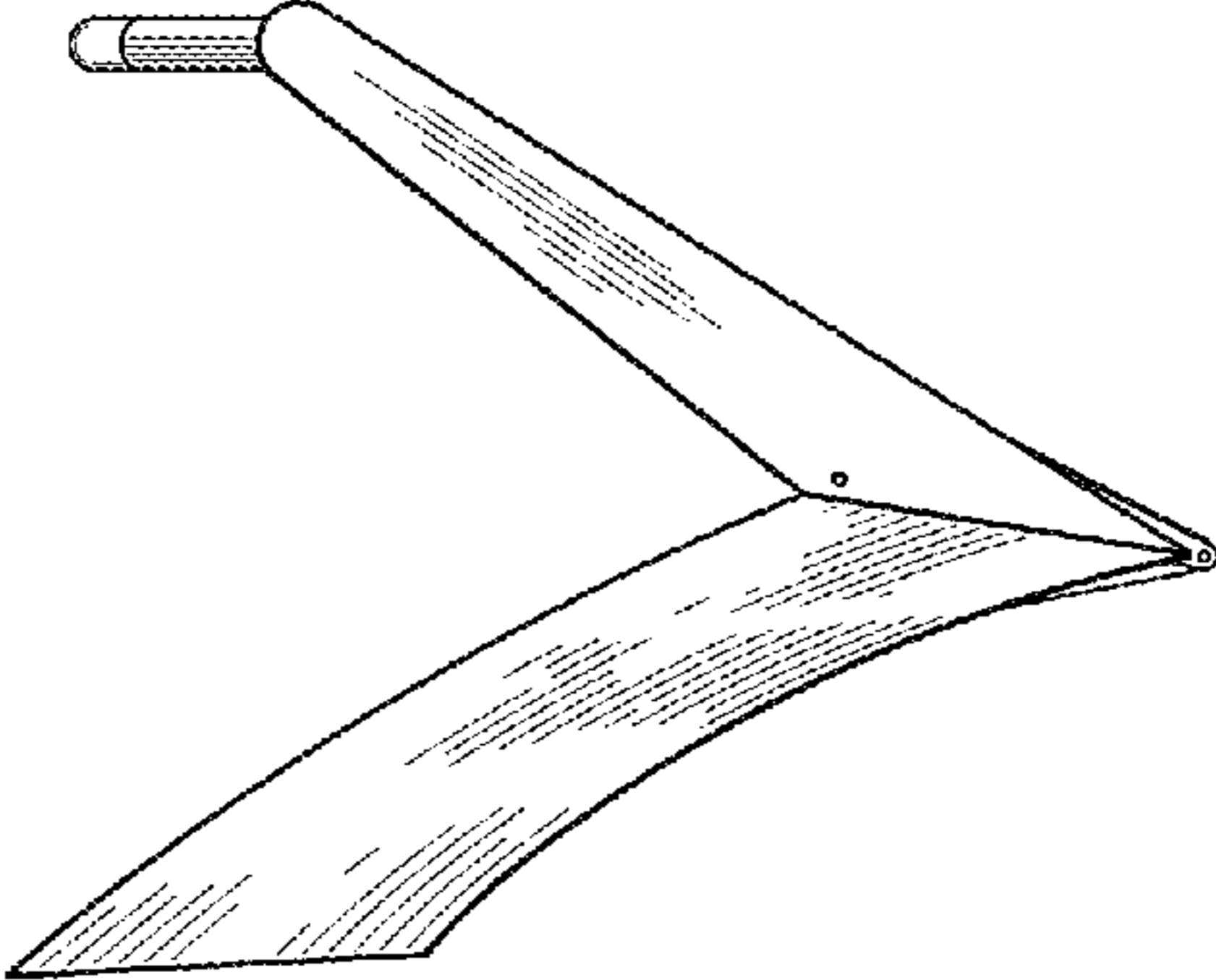


FIG. 4

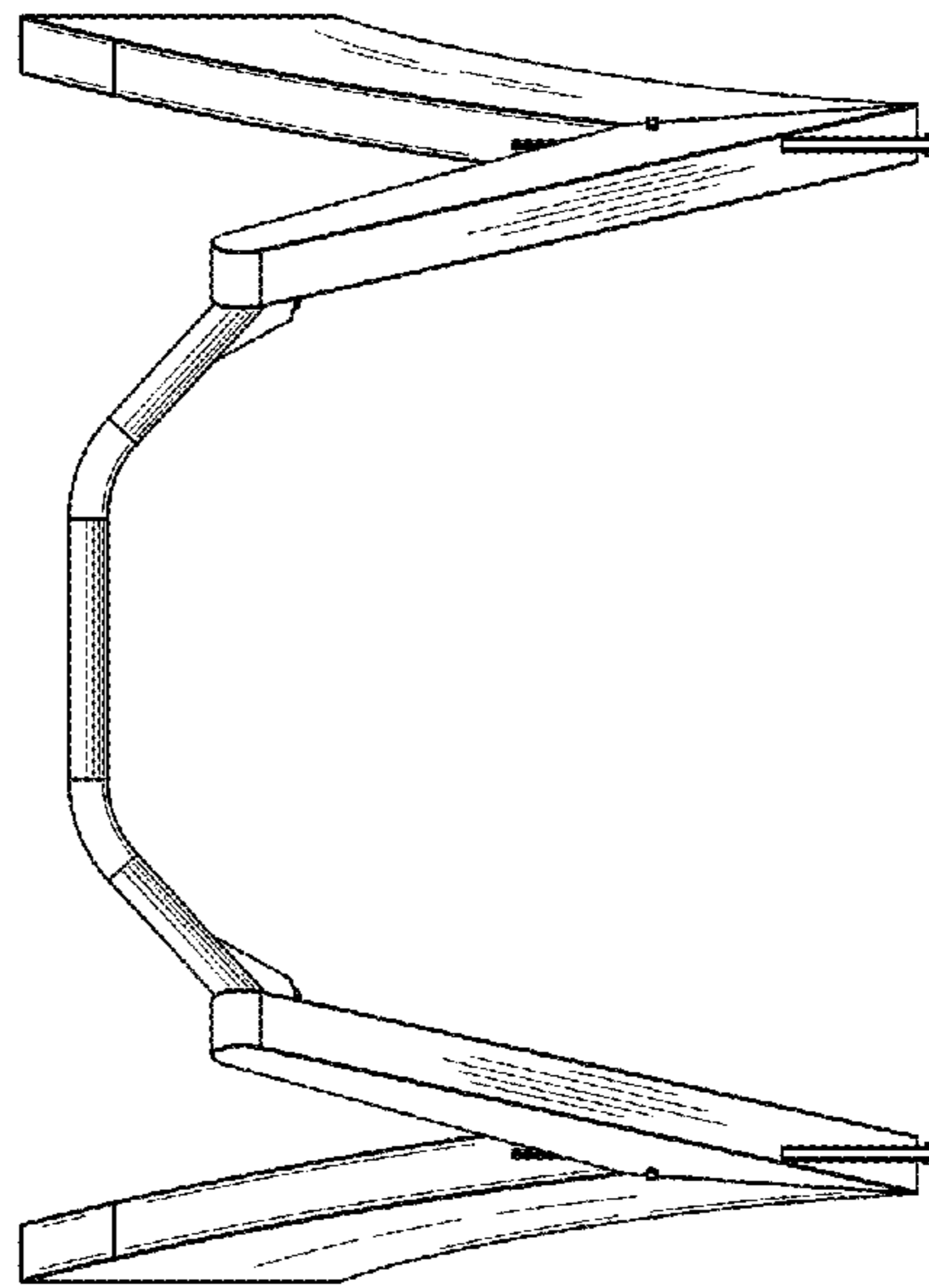


FIG. 5

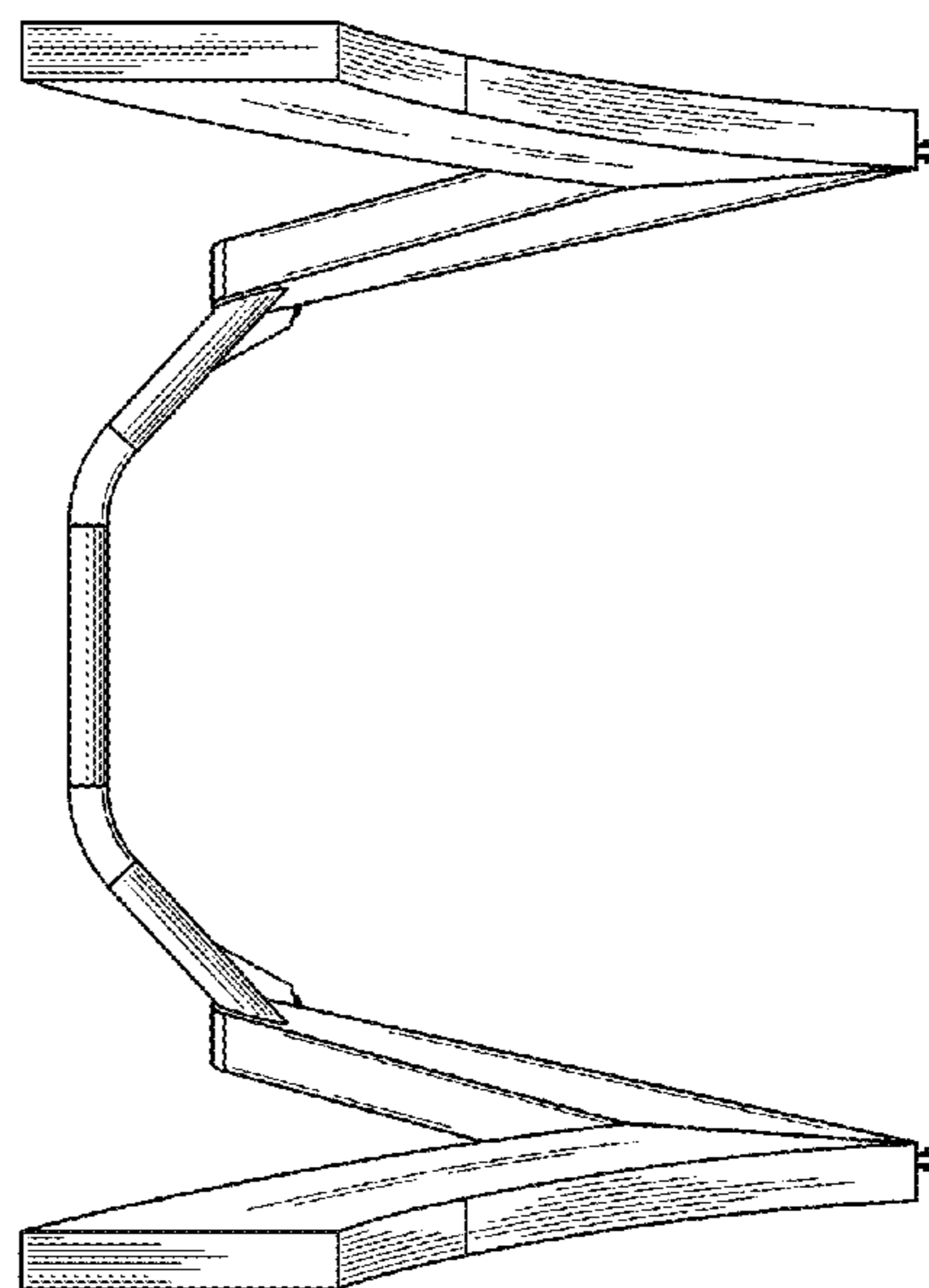


FIG. 6

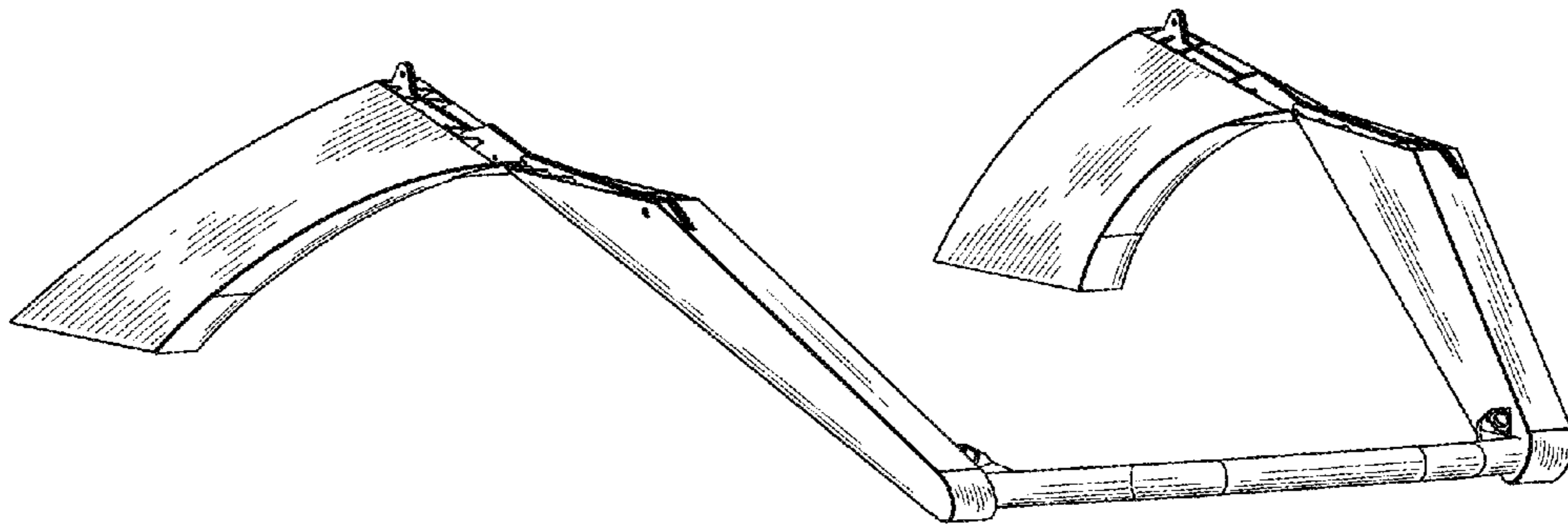


FIG. 7

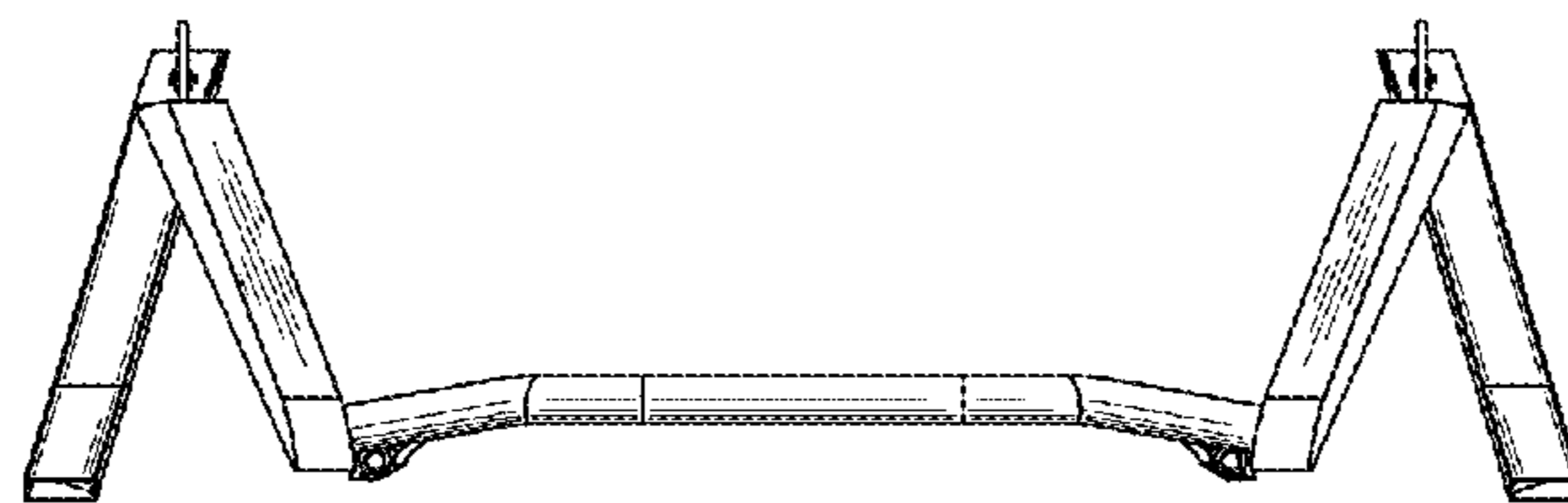


FIG. 8

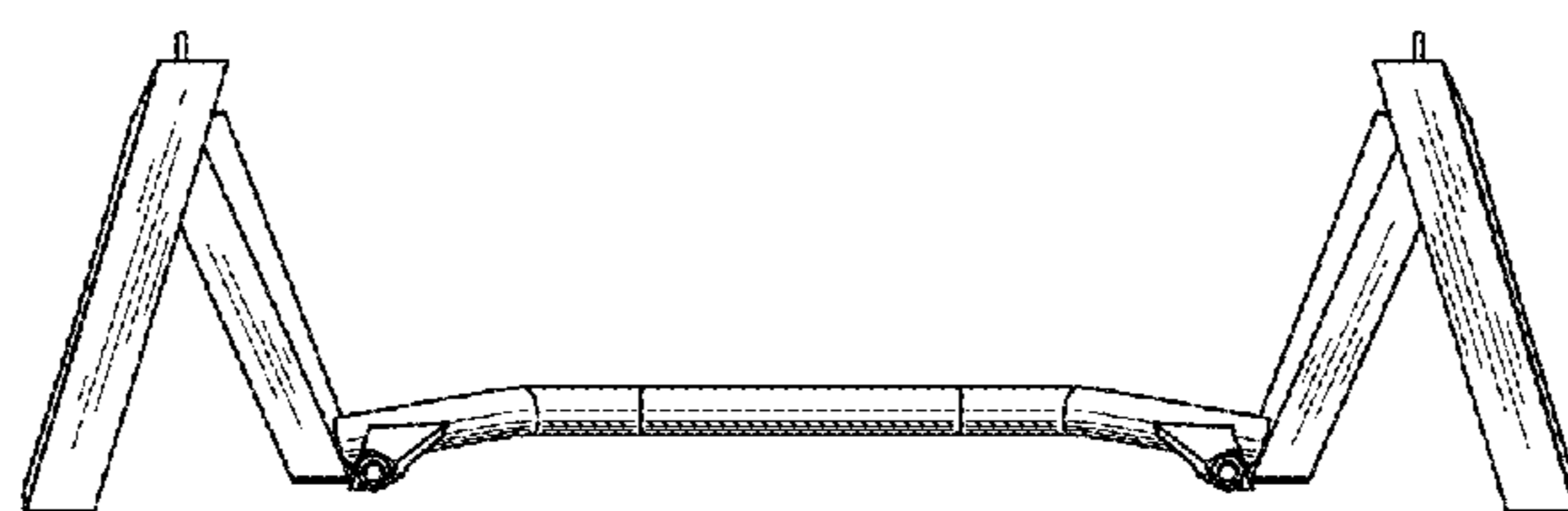


FIG. 9

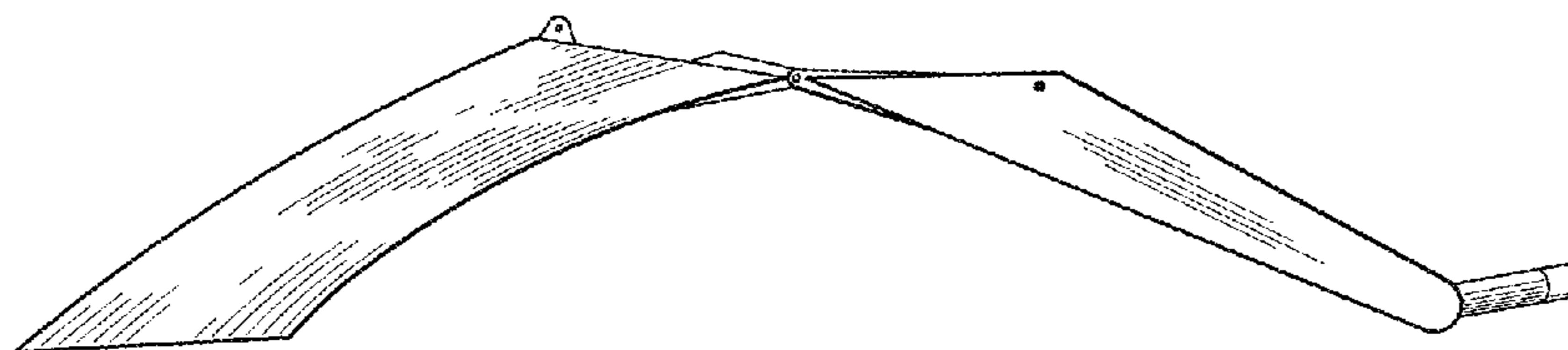


FIG. 10

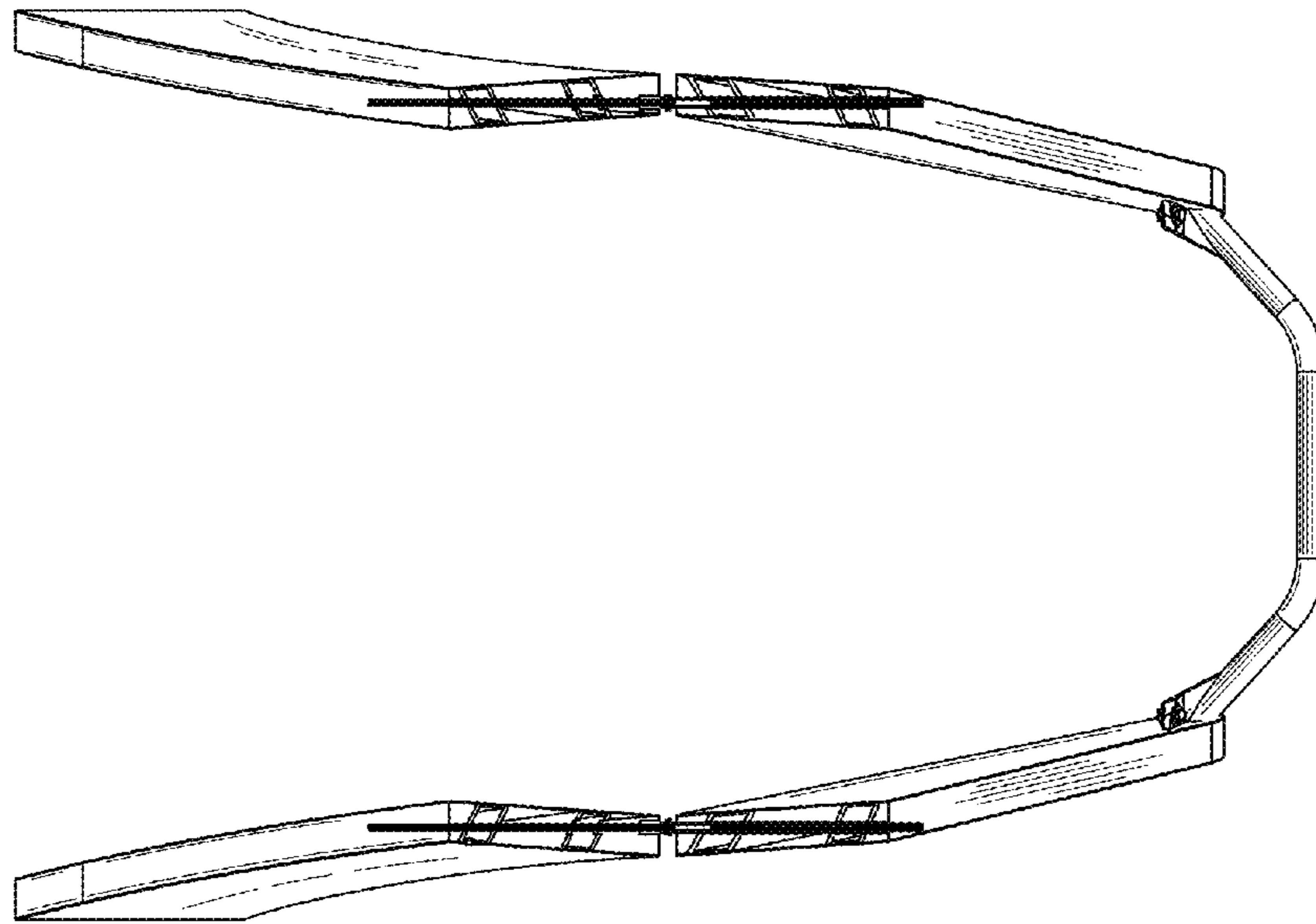


FIG. 11

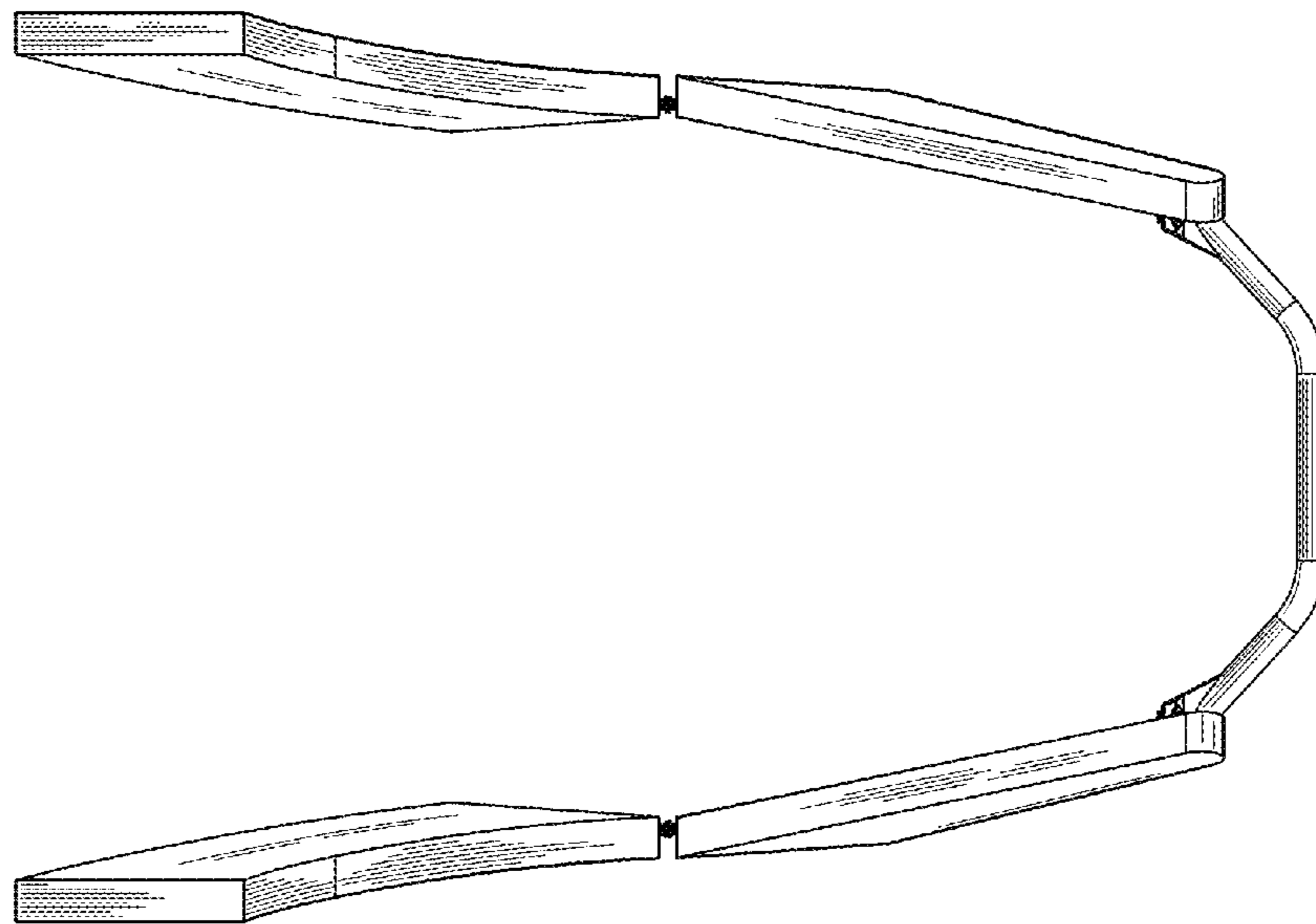


FIG. 12