

US00D669833S

(12) **United States Design Patent**
Pollmann

(10) **Patent No.:** **US D669,833 S**

(45) **Date of Patent:** **** Oct. 30, 2012**

(54) **WHEEL OR WHEEL COVER**

(75) **Inventor:** **Gert Pollmann, Boehmfeld (DE)**

(73) **Assignee:** **Bayerische Motoren Werke Aktiengesellschaft, Munich (DE)**

(**) **Term:** **14 Years**

(21) **Appl. No.:** **29/417,635**

(22) **Filed:** **Apr. 6, 2012**

(30) **Foreign Application Priority Data**

Oct. 7, 2011 (DE) 402011005029

(51) **LOC (9) Cl.** **12-16**

(52) **U.S. Cl.** **D12/209**

(58) **Field of Classification Search** D12/204-213;
301/37.101, 64.101, 65, 64.201
See application file for complete search history.

(56) **References Cited**

U.S. PATENT DOCUMENTS

D325,189 S	4/1992	Kapitza	
D390,822 S *	2/1998	Neeper	D12/209
D395,862 S *	7/1998	Cullen	D12/209
D396,444 S *	7/1998	Neeper	D12/209
D399,811 S *	10/1998	Echazabal	D12/209
D400,154 S *	10/1998	Noriega	D12/209
D415,090 S *	10/1999	Pruden	D12/209
D419,943 S *	2/2000	Roesianto	D12/209
D430,842 S *	9/2000	Chinellato	D12/209

D435,004 S *	12/2000	Noriega	D12/209
D492,235 S	6/2004	Nordmann	
D567,167 S	4/2008	Forster	
D594,800 S *	6/2009	Blasi	D12/209
D614,558 S *	4/2010	Luciani et al.	D12/209
D617,249 S	6/2010	Juergens et al.	
D655,657 S *	3/2012	Juergens et al.	D12/209
D660,763 S *	5/2012	Chan	D12/209

FOREIGN PATENT DOCUMENTS

DE	M8908658.9	8/1990
DE	40104441.6	9/2001
EM	000735758-0006	7/2007
EM	001598277-0003	1/2010
EM	001772922-0017	10/2010

* cited by examiner

Primary Examiner — Stacia Cadmus

(74) *Attorney, Agent, or Firm* — Crowell & Moring LLP

(57) **CLAIM**

The ornamental design for a wheel or wheel cover, as shown and described.

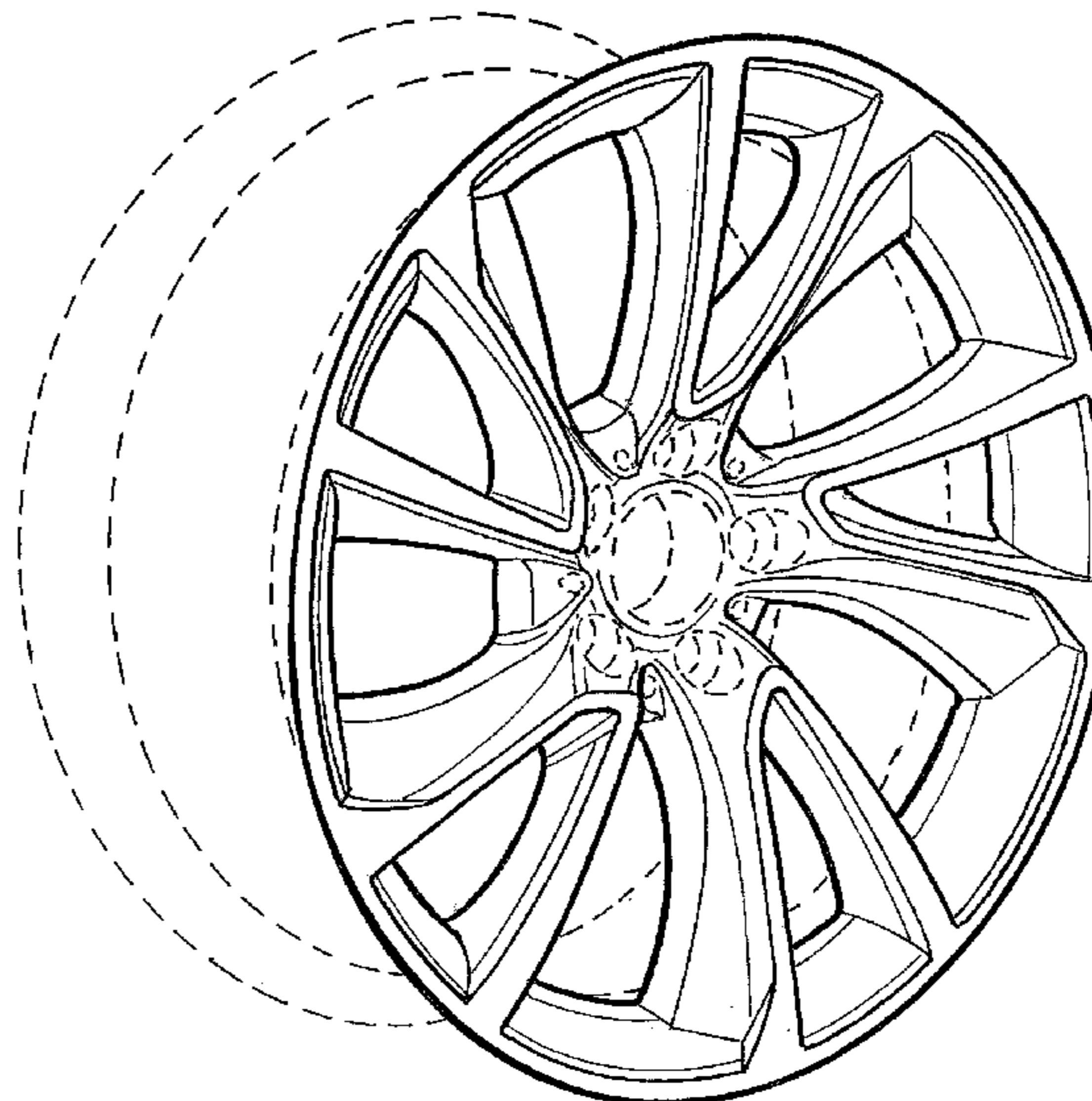
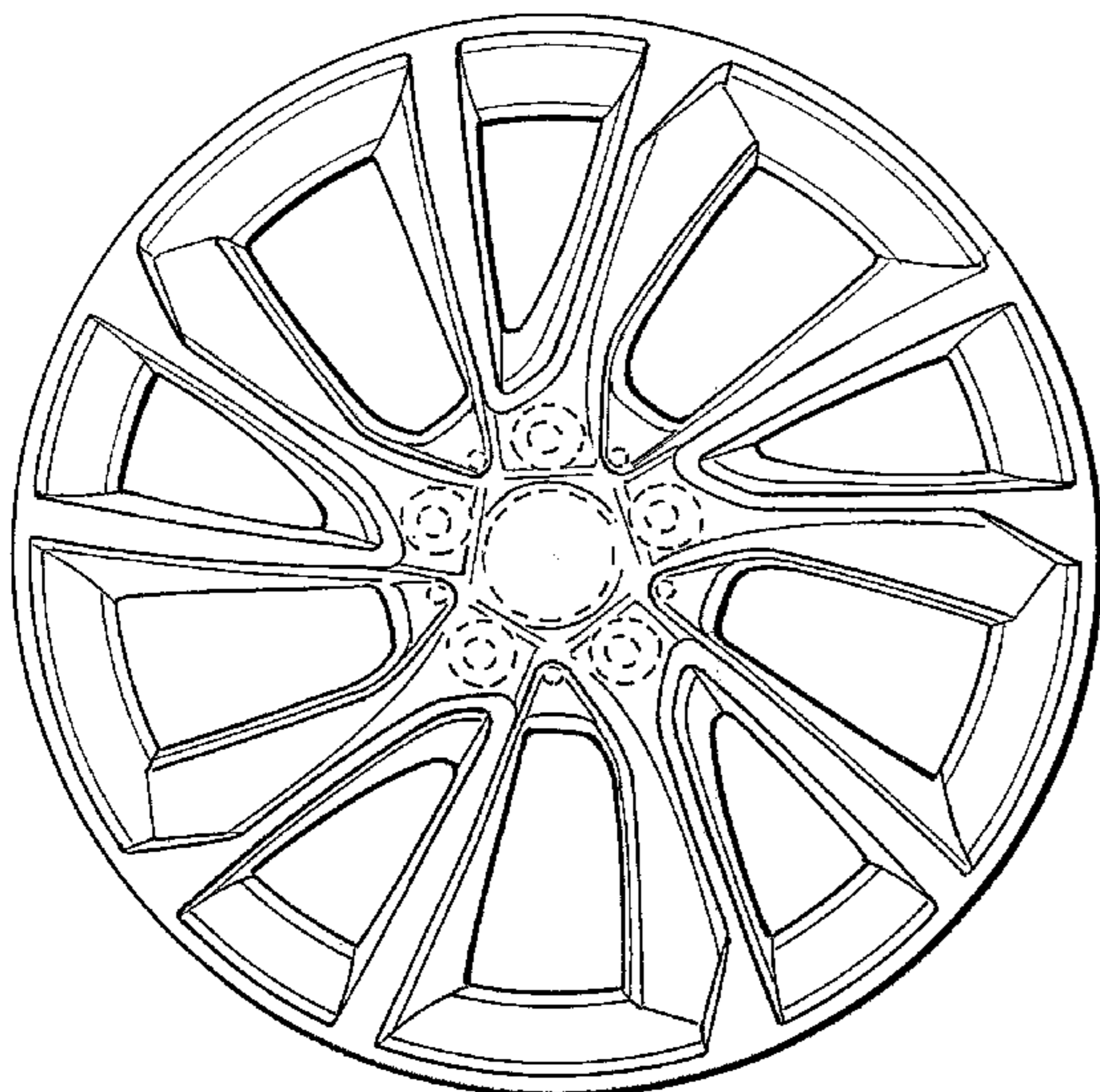
DESCRIPTION

FIG. 1 is a front view of a wheel or wheel cover according to my design; and,

FIG. 2 is a perspective view thereof.

The broken line showing of the rear of the wheel and the bolt holes and center opening in the central hub area is included for the purpose of illustrating environment and forms no part of the claimed design.

1 Claim, 1 Drawing Sheet



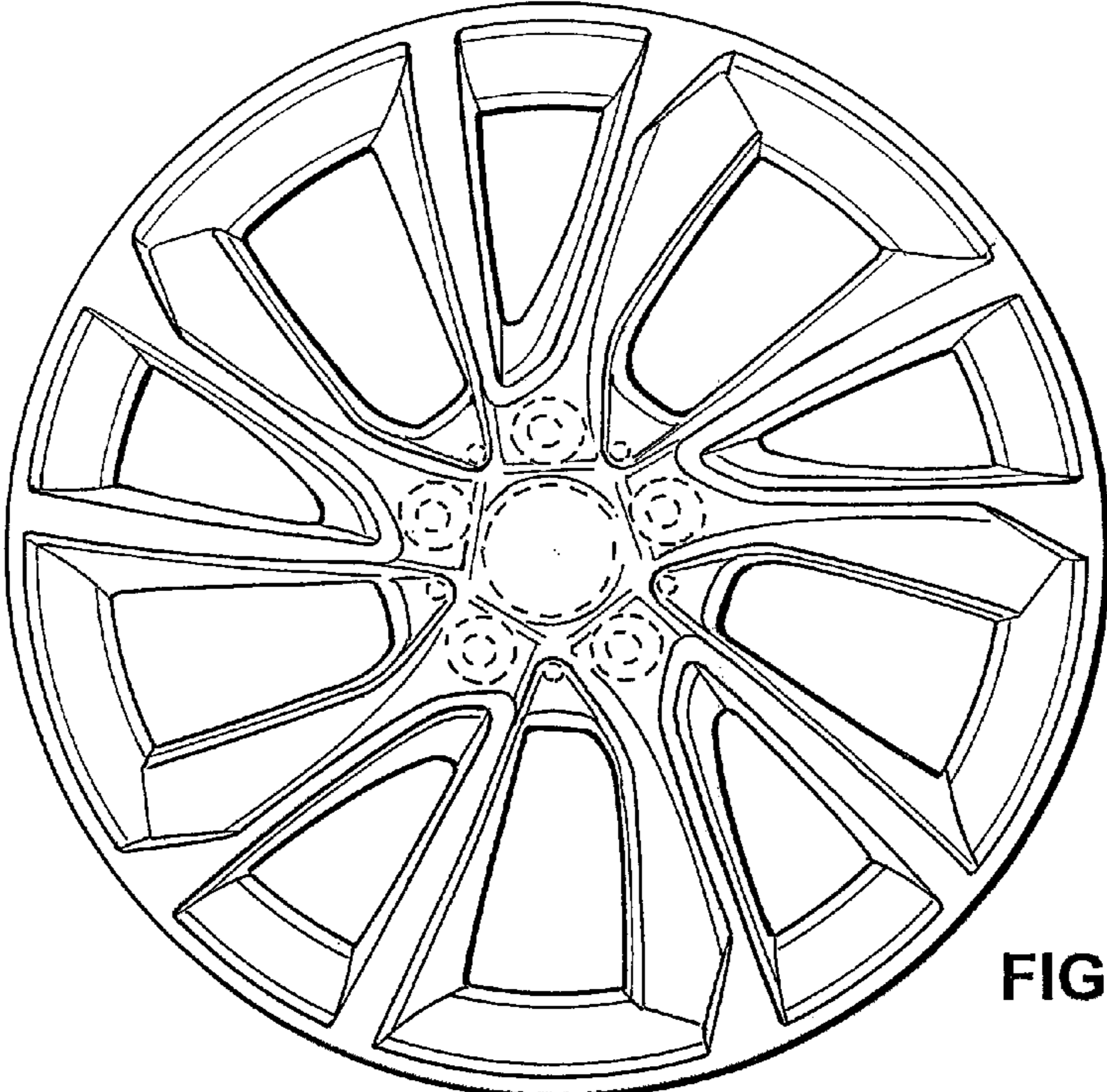


FIG. 1

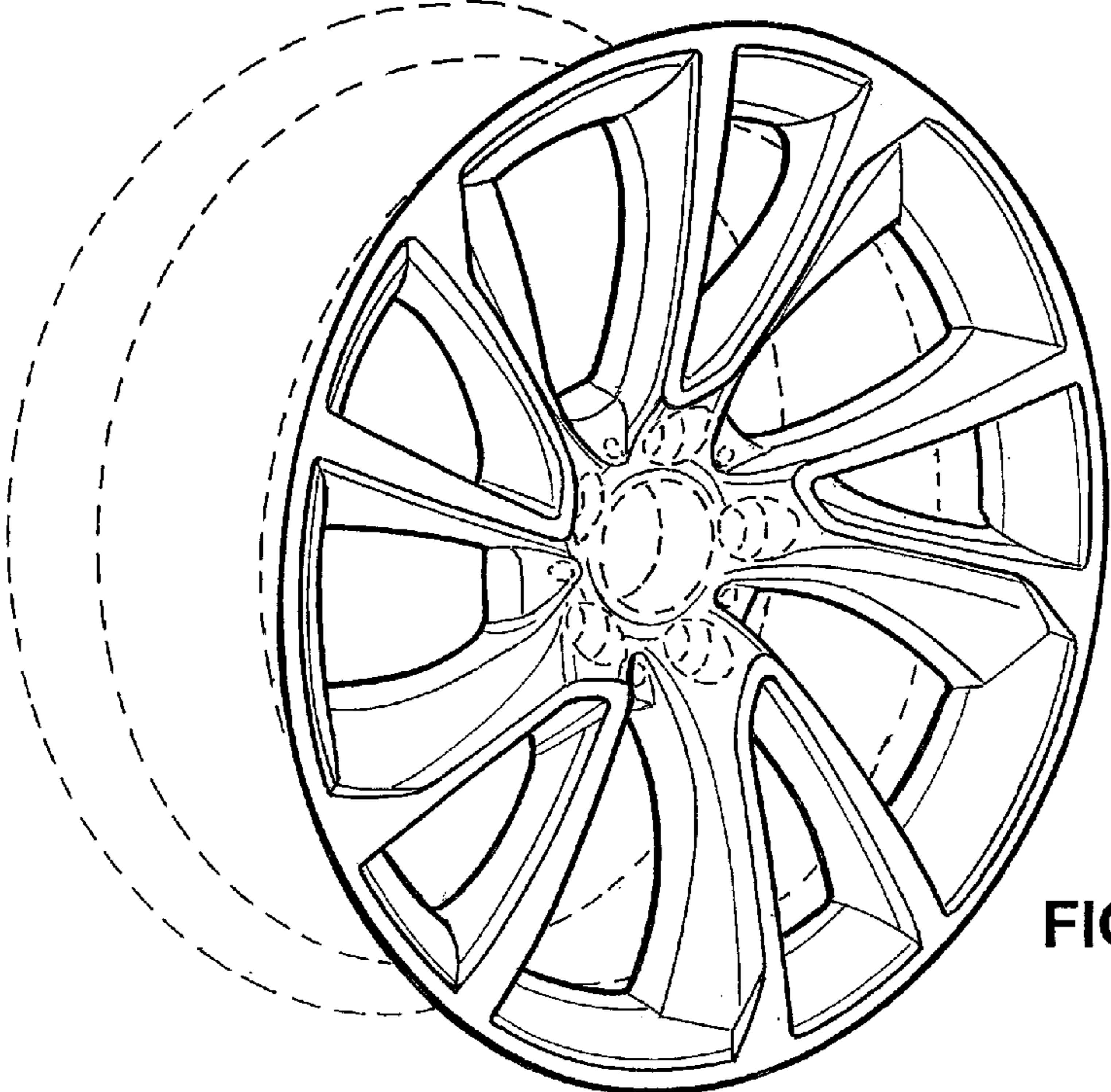


FIG. 2