



US00D669832S

(12) **United States Design Patent**
Lee

(10) **Patent No.:** **US D669,832 S**
(45) **Date of Patent:** **** Oct. 30, 2012**

(54) **BICYCLE WHEEL RIM**

D650,731 S * 12/2011 Chen D12/208
8,070,235 B2 * 12/2011 Reuteler 301/95.104

(75) Inventor: **Michael Lee**, Taichung (TW)

* cited by examiner

(73) Assignee: **Carbotec Industrial Co., Ltd.**,
Taichung (TW)

Primary Examiner — Stacia Cadmus

(74) *Attorney, Agent, or Firm* — Muncy, Geissler, Olds &
Lowe, PLLC

(**) Term: **14 Years**

(57) **CLAIM**

(21) Appl. No.: **29/383,652**

I claim the ornamental design for a bicycle wheel rim, as
shown and described.

(22) Filed: **Jan. 20, 2011**

DESCRIPTION

(51) **LOC (9) Cl.** **12-16**

(52) **U.S. Cl.** **D12/208**

(58) **Field of Classification Search** D12/204-213;
301/37.101, 64.101, 65, 64.201, 95.104,
301/95.106, 58, 55

See application file for complete search history.

FIG. 1 is a perspective view of the bicycle wheel rim showing
my new design;

FIG. 2 is a front view of the rim, the rear view of the rim being
the same one;

FIG. 3 is a left view of the rim, the right view of the rim being
the same one;

FIG. 4 is a top plan view of the rim, the bottom plan view of
the rim being the same one; and,

FIG. 5 is an enlarged cross-sectional view of the rim thereof,
taken along line 5-5 in FIG. 2.

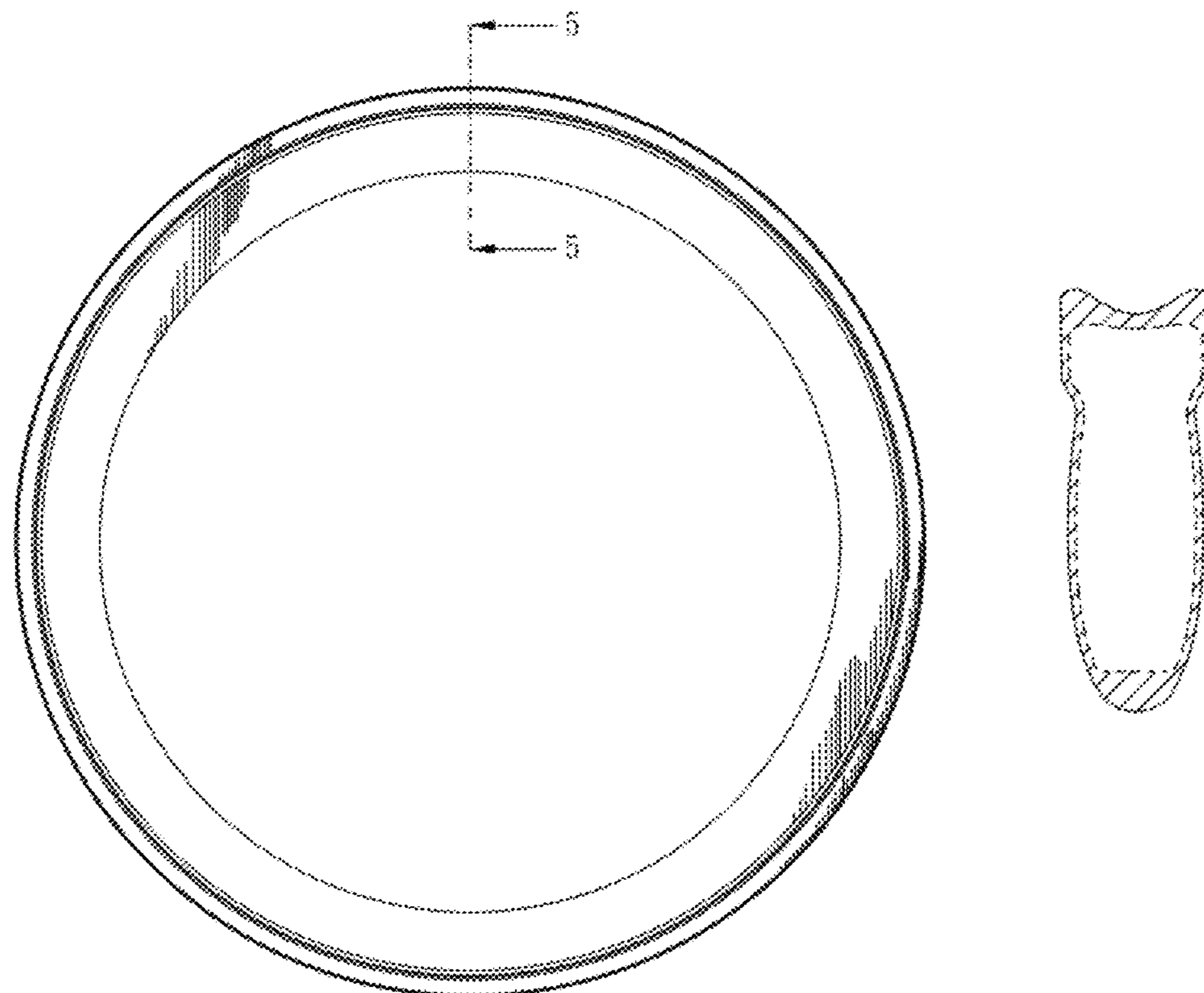
The broken line showing of the interior wall of the bicycle
wheel rim is for the purposes of illustration and forms no part
of the claimed design.

(56) **References Cited**

U.S. PATENT DOCUMENTS

D33,616 S *	11/1900	Webb	D12/208
D35,075 S *	9/1901	MacLulich	D12/208
D216,785 S *	3/1970	Hata	D12/208
D277,953 S *	3/1985	Hess	D12/208
D281,967 S *	12/1985	Hashimoto	D12/208
5,249,846 A *	10/1993	Martin et al.	301/95.104

1 Claim, 4 Drawing Sheets



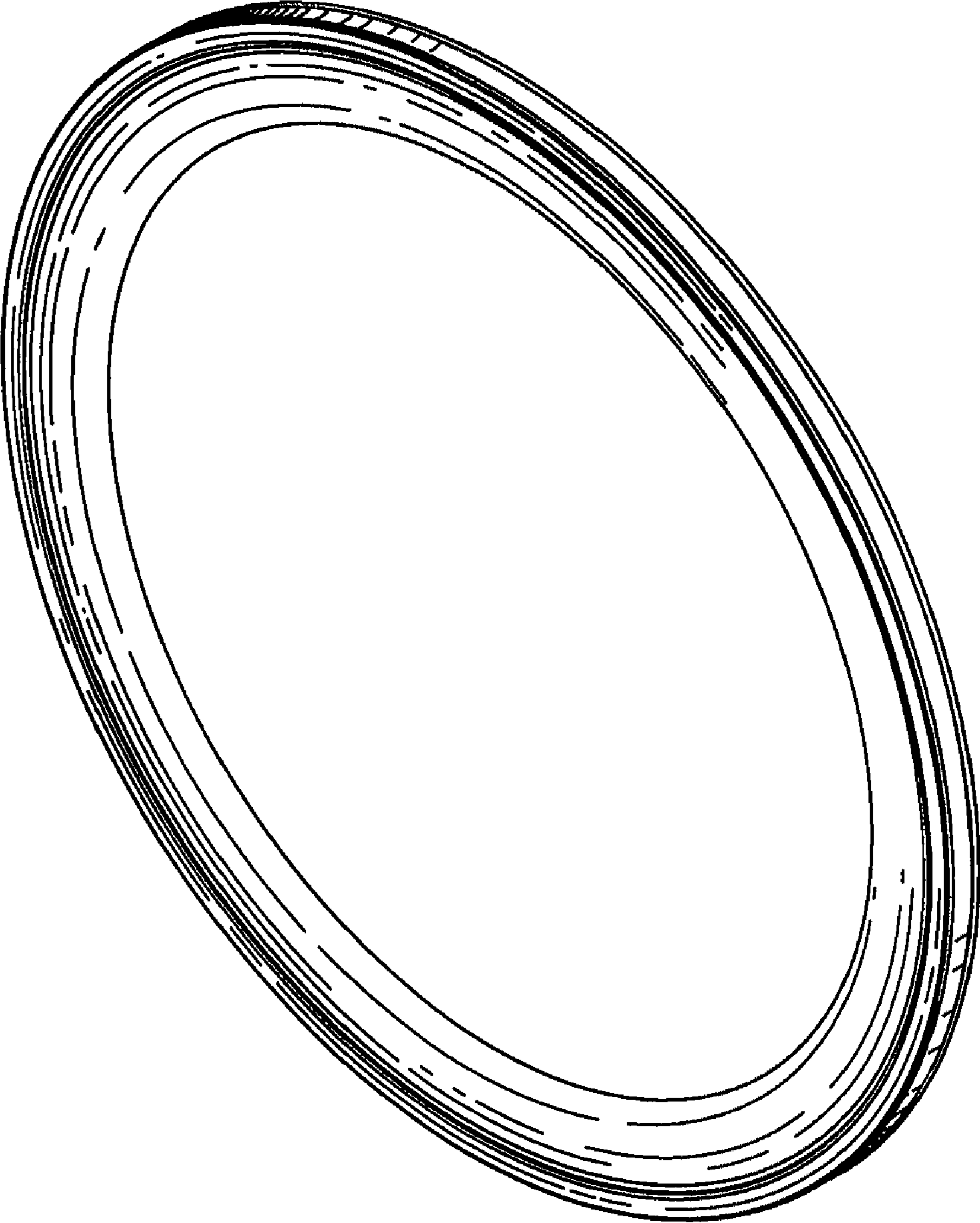


FIG. 1

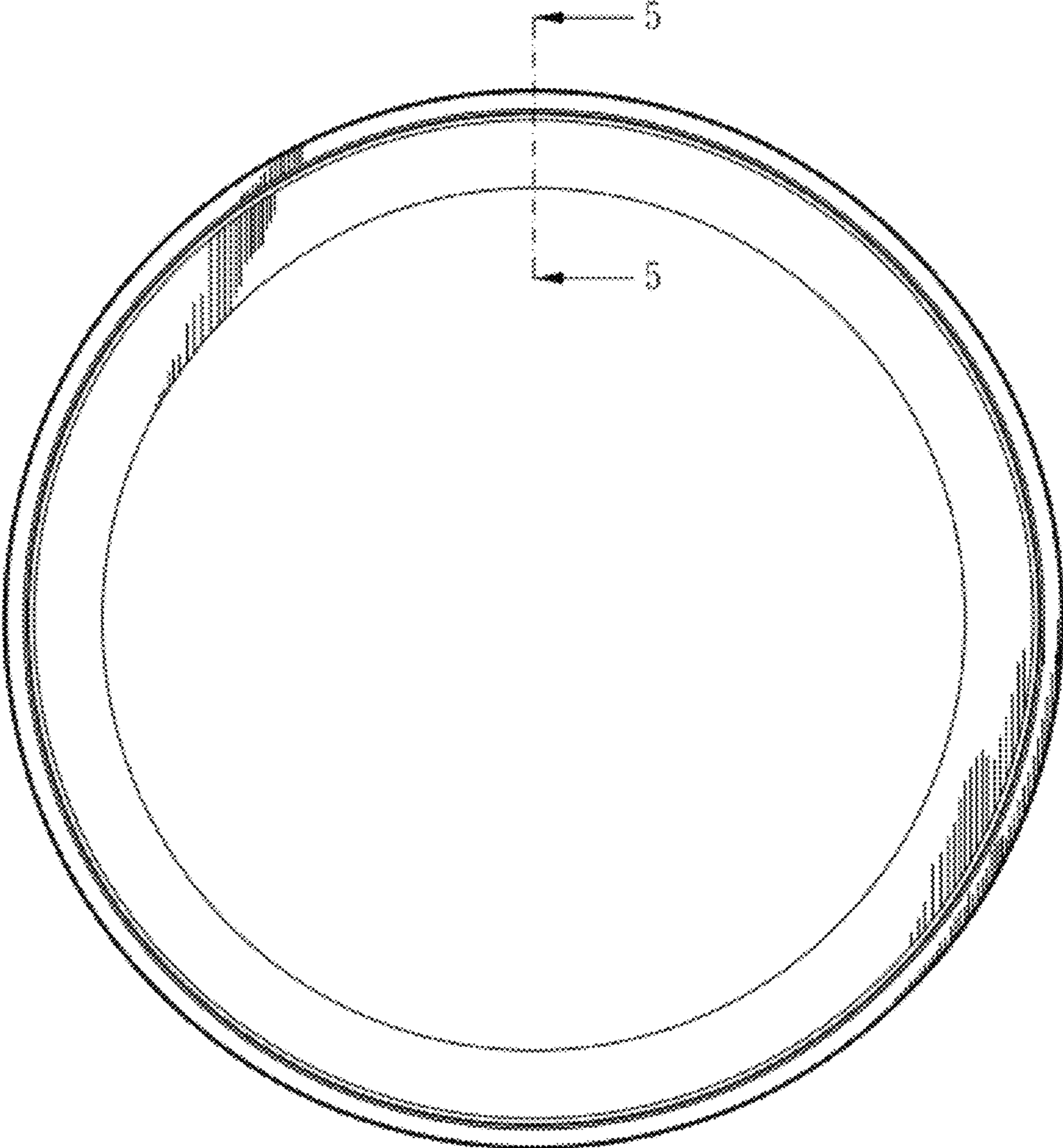


FIG. 2



FIG. 3

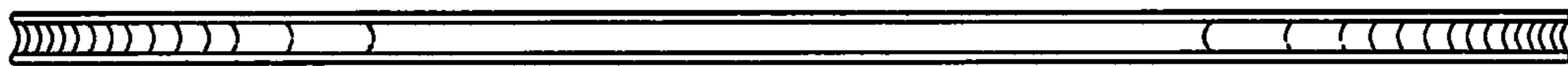


FIG. 4

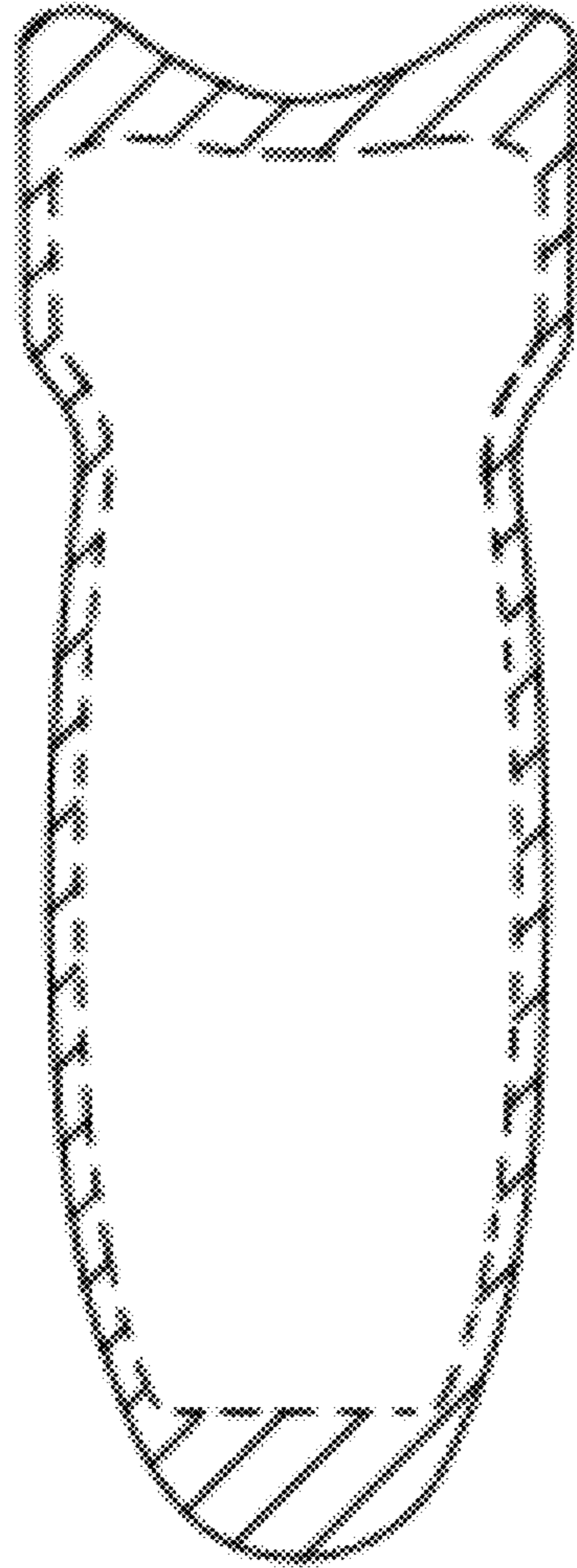


FIG. 5