



US00D669830S

(12) **United States Design Patent**
Behmer et al.

(10) **Patent No.:** **US D669,830 S**

(45) **Date of Patent:** **** Oct. 30, 2012**

(54) **VEHICLE REAR BUMPER COVER LICENSE
PLATE TRIM**

(75) Inventors: **Darrell Paul Behmer**, Novi, MI (US);
Melvin Betancourt, Shelby Township,
MI (US); **Robert Gelardi**, Dearborn, MI
(US)

(73) Assignee: **Ford Motor Company**, Dearborn, MI
(US)

(**) Term: **14 Years**

(21) Appl. No.: **29/406,128**

(22) Filed: **Nov. 10, 2011**

(51) **LOC (9) Cl.** **12-16**

(52) **U.S. Cl.** **D12/193**

(58) **Field of Classification Search** D12/193,
D12/169, 172; D6/300-302, 310-314; 40/200-204,
40/207-214; D20/13; 348/148, 373
See application file for complete search history.

(56) **References Cited**

U.S. PATENT DOCUMENTS

2,092,960	A *	9/1937	Dupuis	40/200
2,194,042	A *	3/1940	Wyatt	40/200
D120,209	S *	4/1940	Ache	D12/193
D280,400	S *	9/1985	Luthe et al.	D12/193
D531,556	S *	11/2006	Metros et al.	D12/169
D578,943	S *	10/2008	Lin	D12/193
D579,391	S *	10/2008	Lin	D12/193
D620,404	S *	7/2010	Ward	D12/169

OTHER PUBLICATIONS

All About Cars and Trucks, Aug. 17, 2011, 2013 Ford Mustang Spy
Photos.

Car and Driver, undated, 2013 Ford Mustang Shelby GT500 (spy
photo).

Motorauthority, Jun3 19, 2011, 2013 Ford Mustang Shelby GT500
spy shots.

* cited by examiner

Primary Examiner — Stacia Cadmus

(74) *Attorney, Agent, or Firm* — Damian Porcari

(57) **CLAIM**

The ornamental design for a vehicle rear bumper cover
license plate trim, as shown and described.

DESCRIPTION

FIG. 1 is a top plan view of a vehicle rear bumper cover
license plate trim;

FIG. 2 is a bottom plan view of the vehicle rear bumper cover
license plate trim;

FIG. 3 is a front elevational view of the vehicle rear bumper
cover license plate trim;

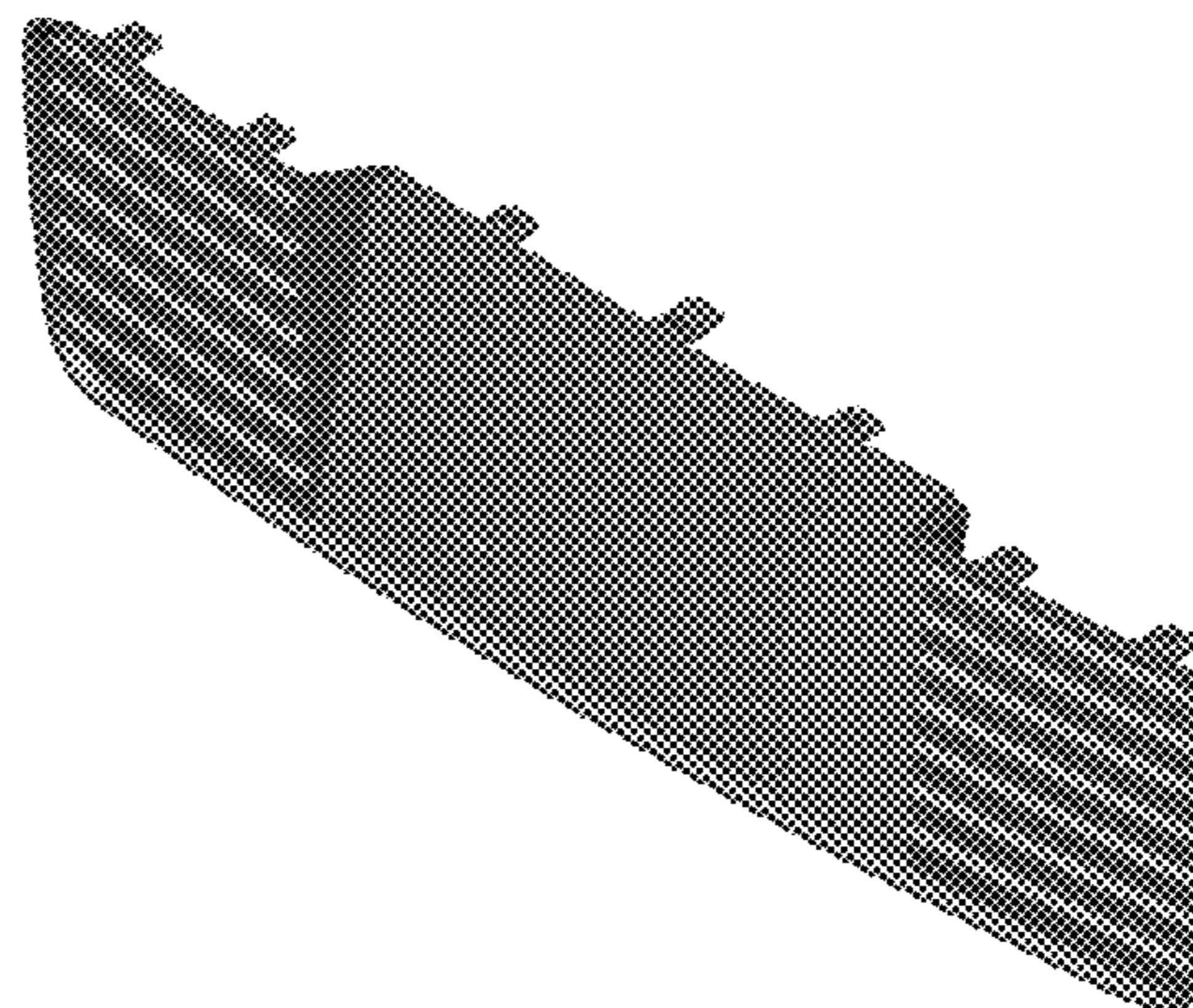
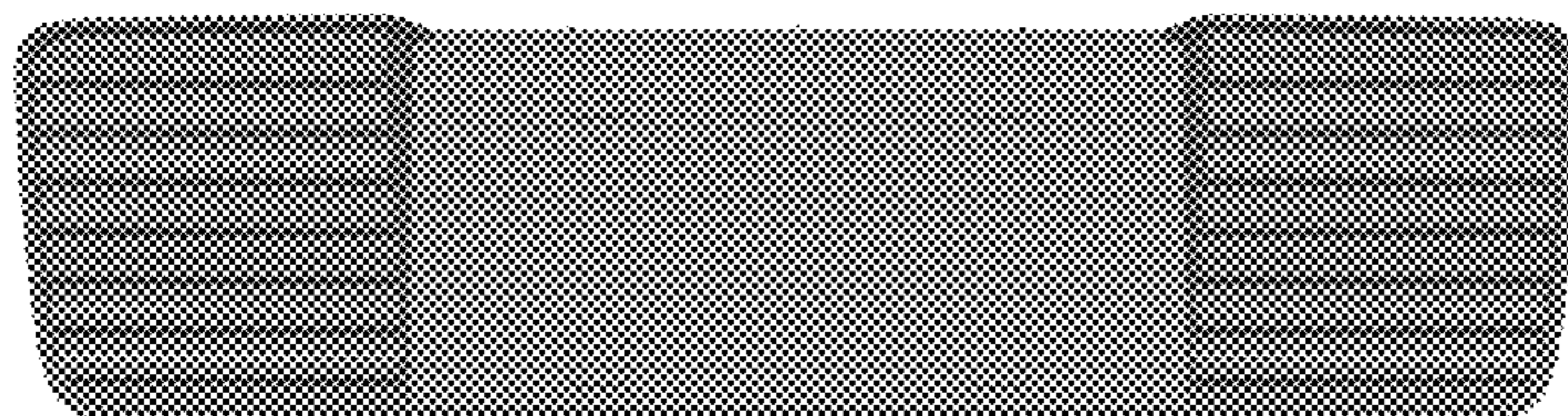
FIG. 4 is a left side elevational view of the vehicle rear bumper
cover license plate trim;

FIG. 5 is a right side elevational view of the vehicle rear
bumper cover license plate trim;

FIG. 6 is a perspective view of the vehicle rear bumper cover
license plate trim; and,

FIG. 7 is another perspective view of the vehicle rear bumper
cover license plate trim.

1 Claim, 7 Drawing Sheets



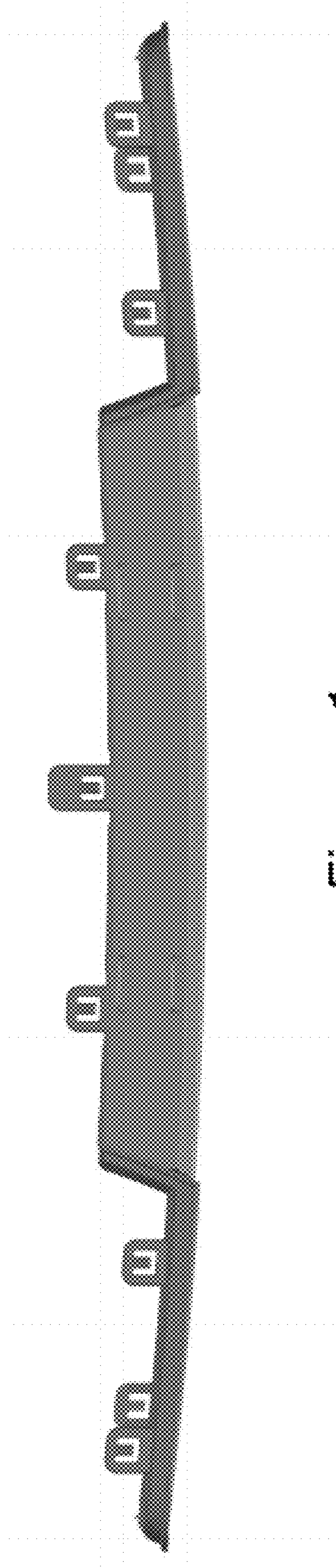


Figure 1

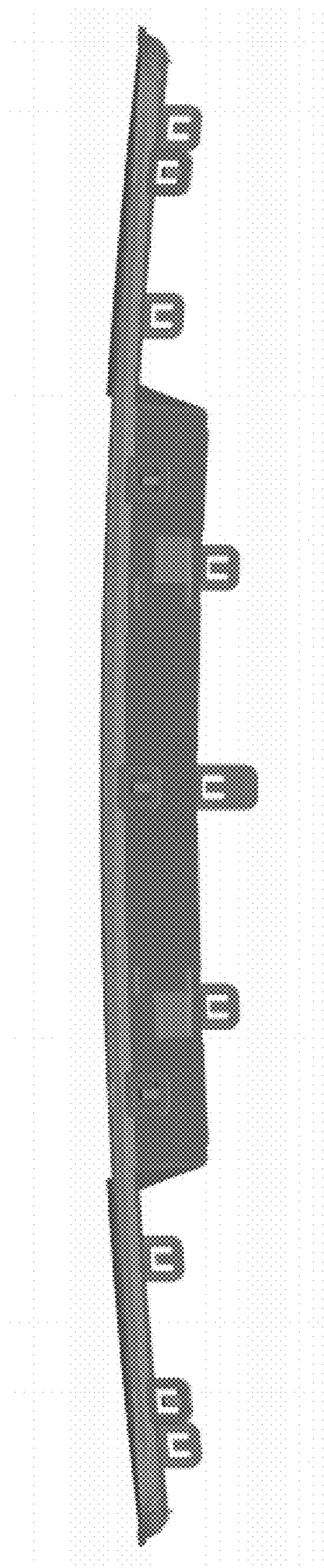


Figure 2

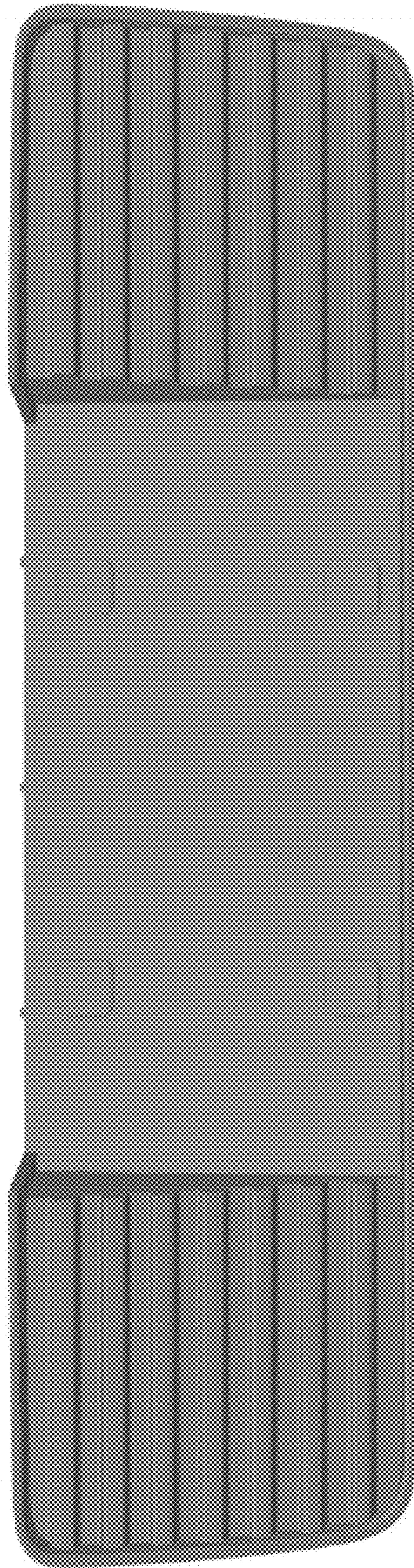
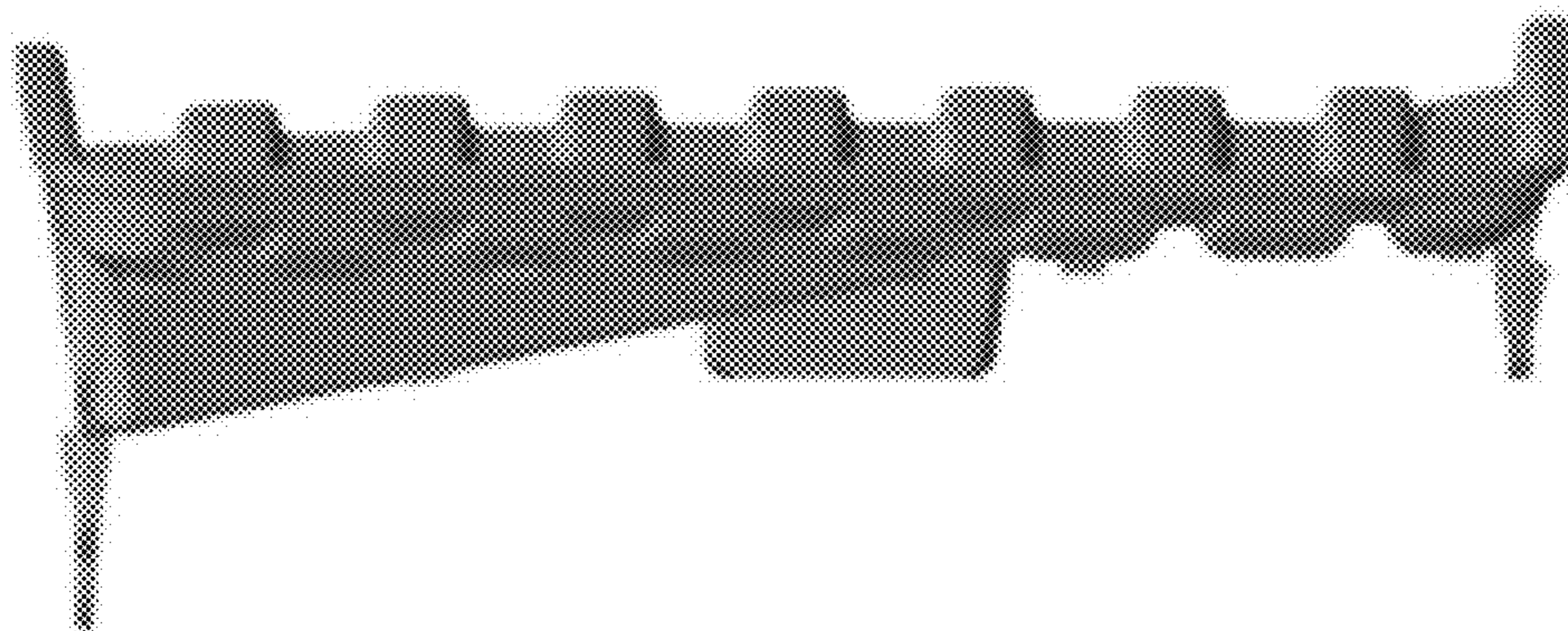


Figure 3

Figure 4



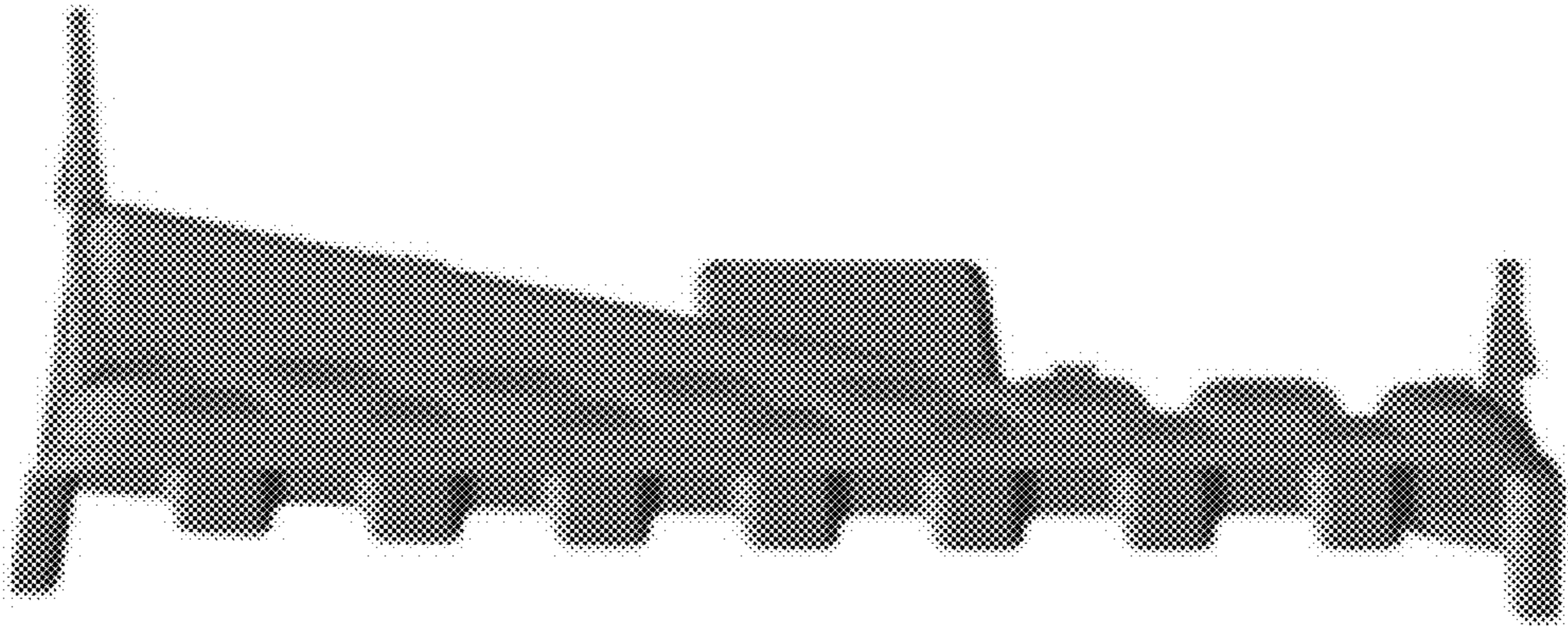


Figure 5

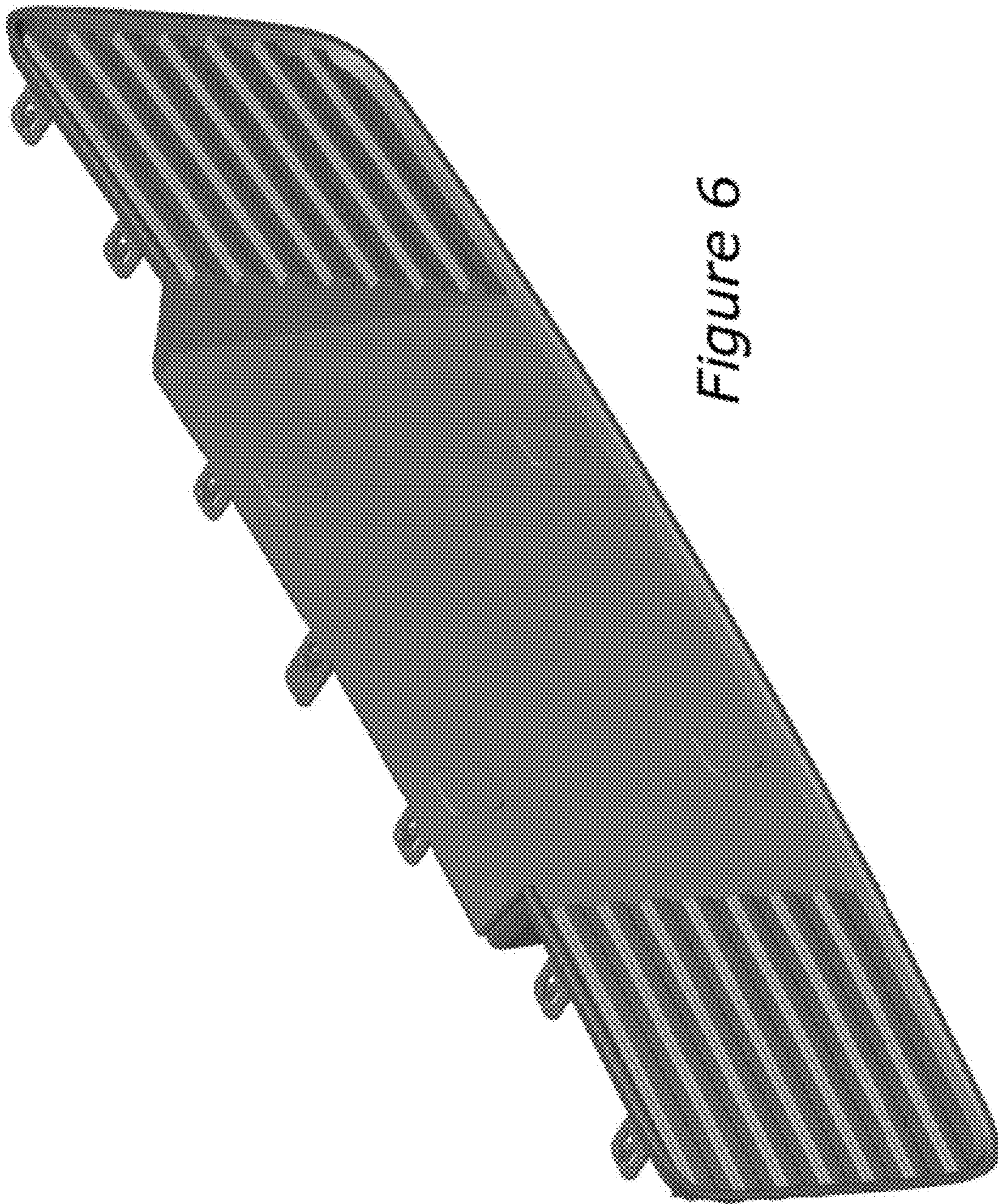


Figure 6

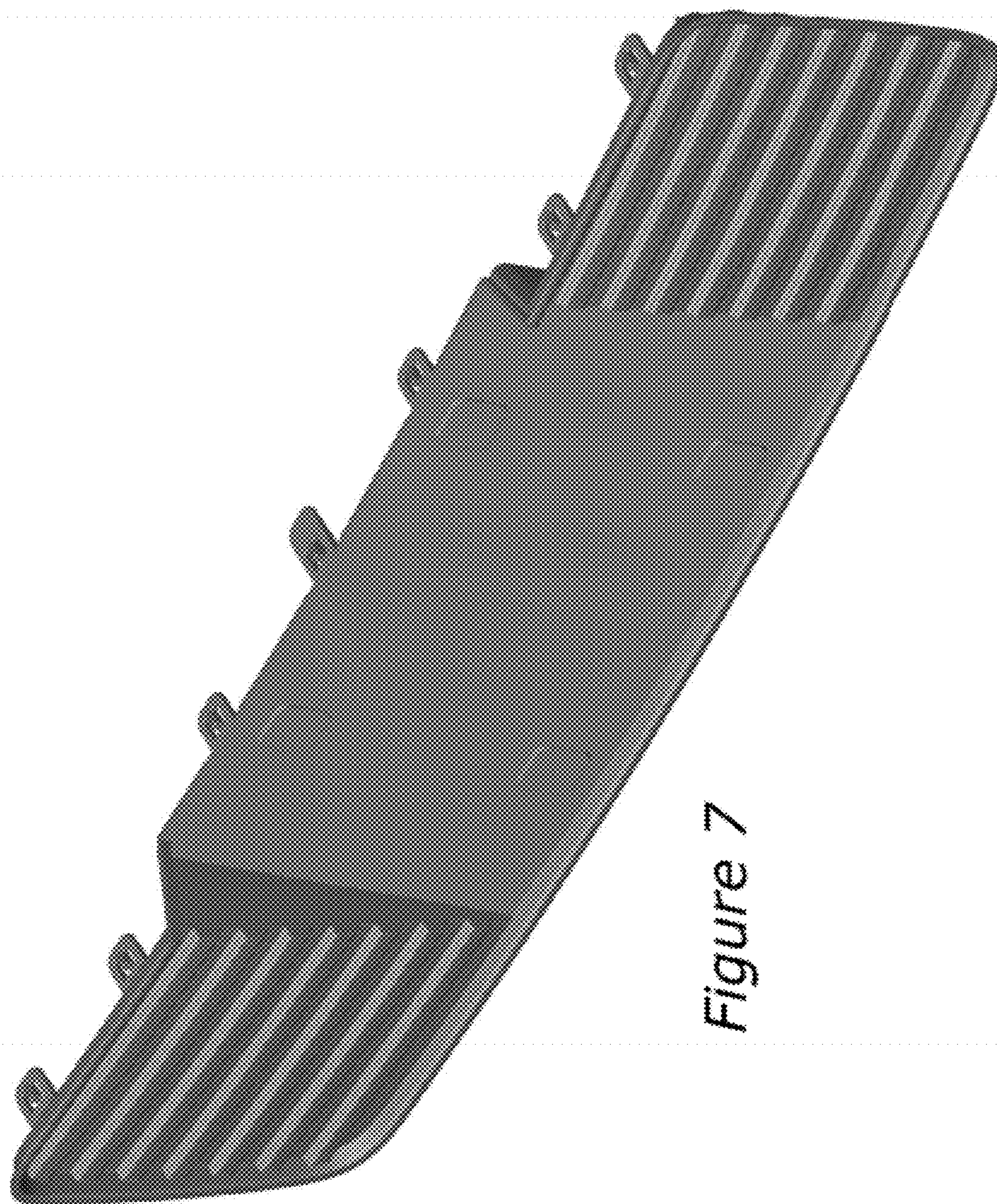


Figure 7